



US00D901614S

(12) **United States Design Patent** (10) **Patent No.:** **US D901,614 S**  
**Loveday, IV et al.** (45) **Date of Patent:** **\*\* Nov. 10, 2020**

(54) **AMMUNITION MAGAZINE LOADER**

(71) Applicants: **George E. Loveday, IV**, Lenoir City, TN (US); **George E. Loveday, III**, Knoxville, TN (US)

(72) Inventors: **George E. Loveday, IV**, Lenoir City, TN (US); **George E. Loveday, III**, Knoxville, TN (US)

(\*\*) Term: **15 Years**

(21) Appl. No.: **29/630,785**

(22) Filed: **Dec. 22, 2017**

(51) **LOC (12) Cl.** ..... **22-01**

(52) **U.S. Cl.**  
USPC ..... **D22/108**

(58) **Field of Classification Search**  
USPC ..... D22/108, 199  
CPC ..... F41A 9/83  
See application file for complete search history.

(56) **References Cited**

**U.S. PATENT DOCUMENTS**

D503,960 S *	4/2005	Gangi	.....	D22/108
D697,999 S *	1/2014	Firment	.....	D22/108
D818,554 S *	5/2018	Hefer	.....	D22/108
D823,420 S *	7/2018	Fischer	.....	D22/108
D829,295 S *	9/2018	Buckner	.....	D22/108
D839,376 S *	1/2019	Hefer	.....	D22/108
10,254,061 B1 *	4/2019	Loveday, IV	.....	F41A 9/84
10,317,154 B1 *	6/2019	Loveday, IV	.....	F41A 9/83
2014/0033592 A1 *	2/2014	Fiorucci	.....	F41A 9/83
				42/87
2018/0094888 A1 *	4/2018	Hefer	.....	F42B 39/26
2018/0202735 A1 *	7/2018	Draper	.....	F41A 9/82

**OTHER PUBLICATIONS**

Plate website, ACEM pistol mag loader, Publication date unknown, [site visited Nov. 19, 2019], Available on the Internet URL <https://plate.us/products/acem-p9-40-gen-2> (Year: 2019).\*

Amazon website, ETS Elite Tactical Systems CAM Universal Speed Loader Magazine Loader, Earliest comment date Aug. 29, 2017, [site visited Nov. 20, 2019], Available on the Internet URL [www.amazon.com/ETS-Tactical-Universal-Magazine-ETSCAM-380/dp/B078Z1YK8V](http://www.amazon.com/ETS-Tactical-Universal-Magazine-ETSCAM-380/dp/B078Z1YK8V) (Year: 2017).\*

Elite Tactical Systems website, C.A.M. Loader for All Pistol Mags .380 caliber, Publication date unknown, [site visited Nov. 23, 2019], Available on the Internet URL <https://www.etsgroup.us/ETS-Group-C-A-M-Loader-p/etscam-380.htm> (Year: 2019).\*

\* cited by examiner

*Primary Examiner* — Karen S Acker

*Assistant Examiner* — Steven B Reinholdt, Jr.

(74) *Attorney, Agent, or Firm* — Thomas A. Kulaga; Knox Patents

(57) **CLAIM**

The ornamental design for an ammunition magazine loader, as shown and described.

**DESCRIPTION**

FIG. 1 is an exploded perspective view of an ammunition magazine loader;

FIG. 2 is an unexploded front view showing the ammunition magazine loader of FIG. 1; the rear view being a mirror image thereto;

FIG. 3 is an enlarged left side view of the ammunition magazine loader of FIG. 1 with the plunger removed;

FIG. 4 is an enlarged right side view thereof;

FIG. 5 is a top view thereof;

FIG. 6 is a bottom view thereof;

FIG. 7 is an enlarged left side view of the ammunition magazine loader of FIG. 1 showing only the plunger part;

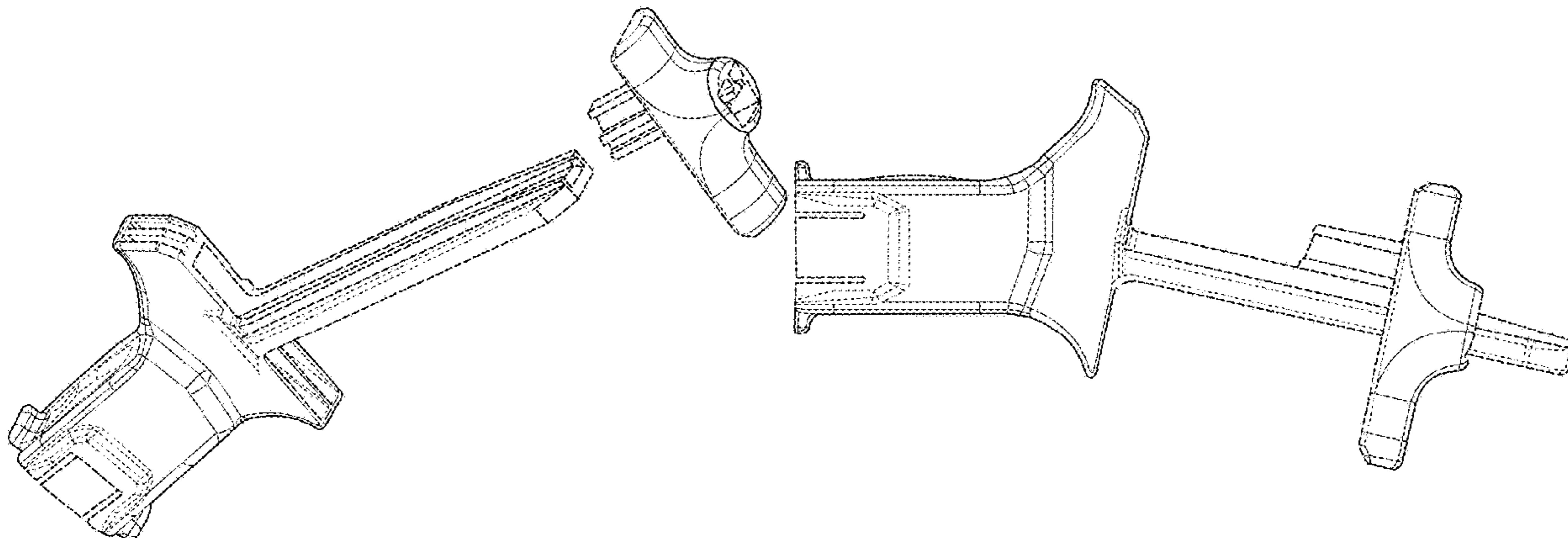
FIG. 8 is an enlarged right side view thereof;

FIG. 9 is an enlarged top view thereof; and,

FIG. 10 is an enlarged bottom view thereof.

The broken lines and the areas within them depict portions of the ammunition magazine loader that form no part of the claimed design.

**1 Claim, 4 Drawing Sheets**



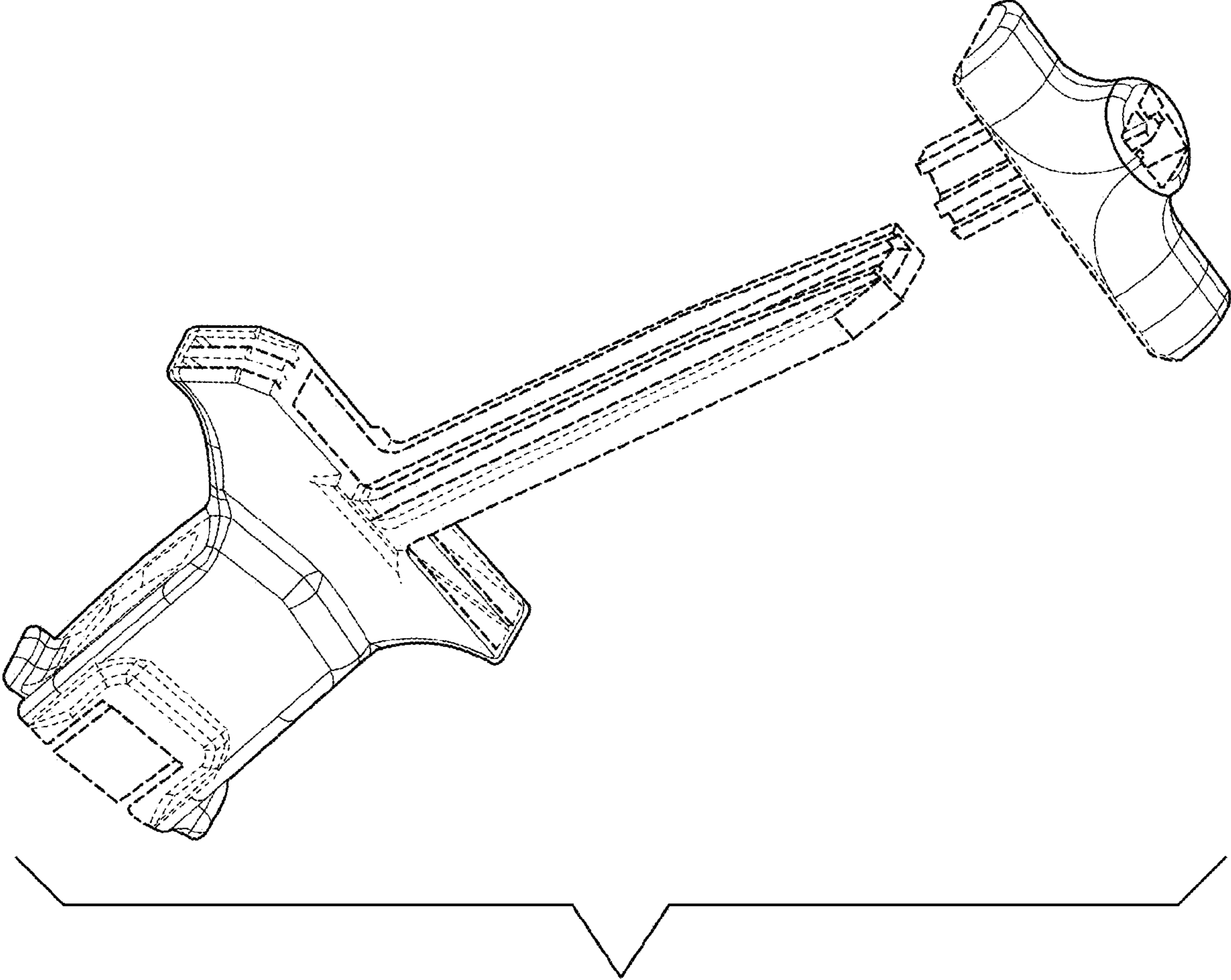


FIG. 1

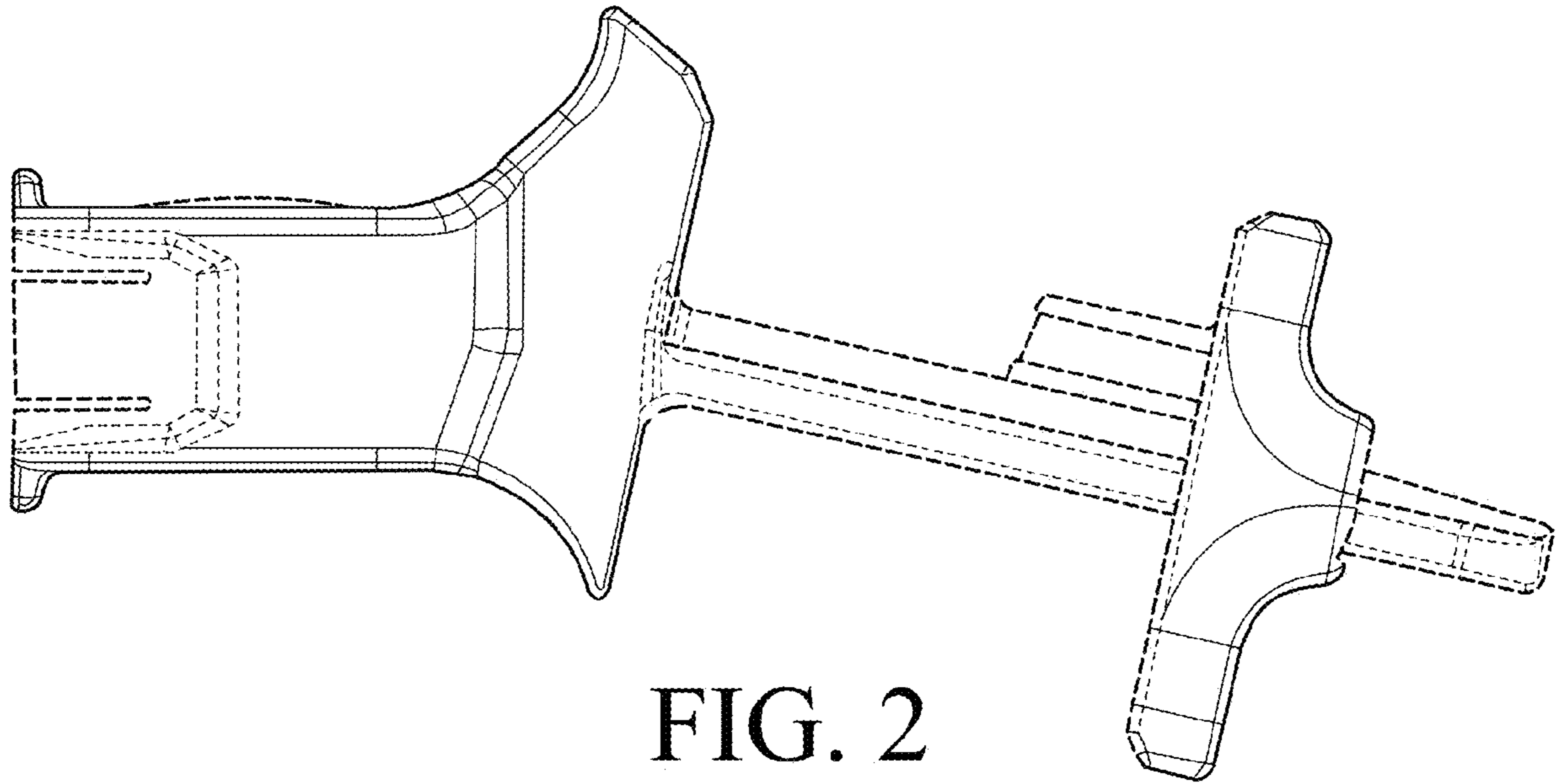


FIG. 2

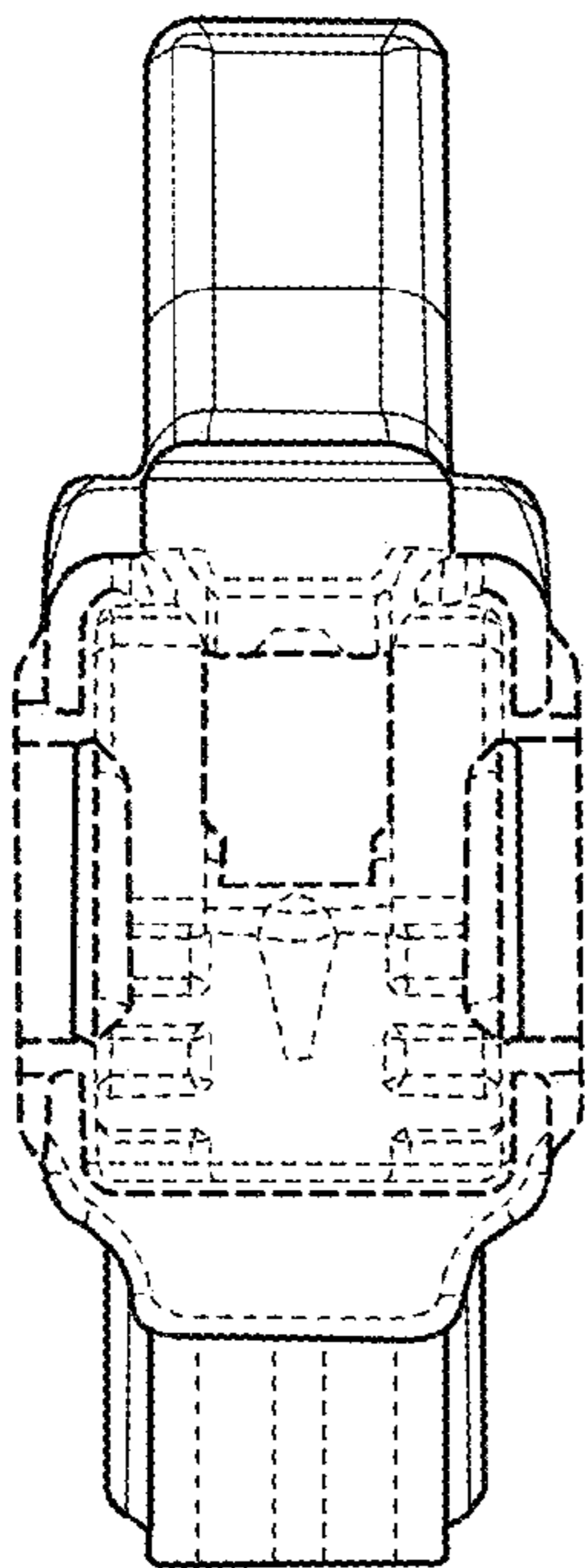


FIG. 3

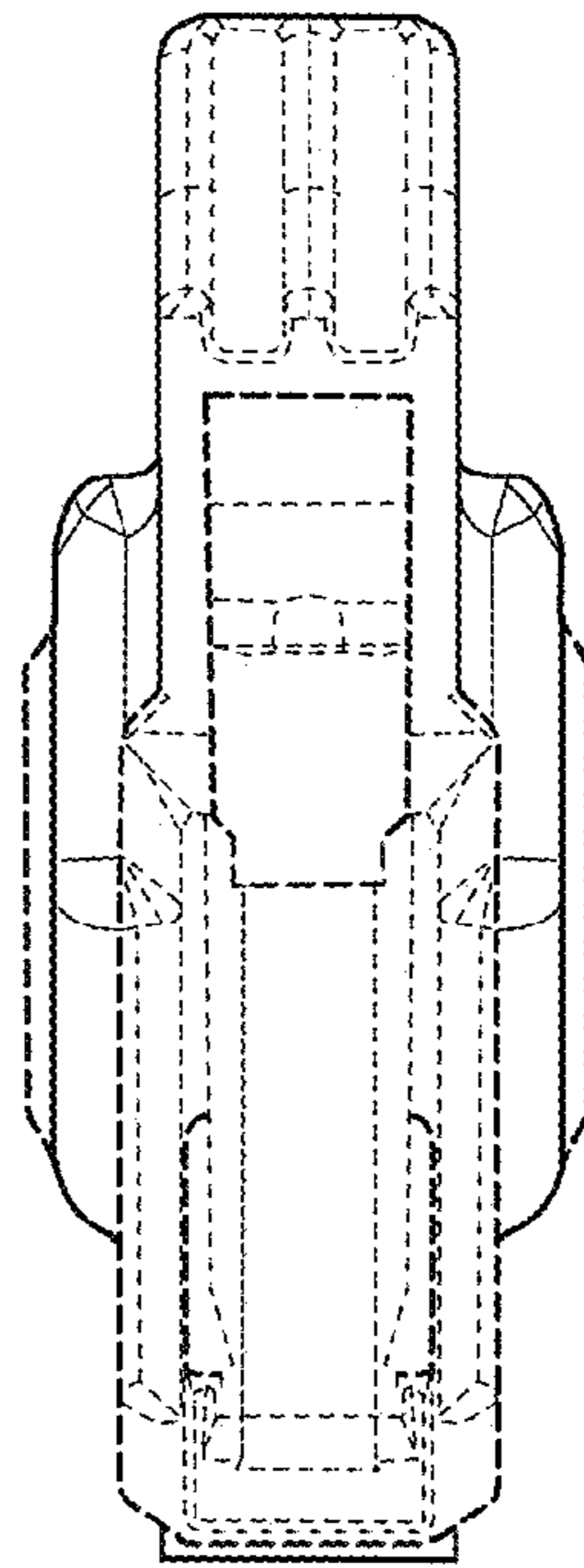


FIG. 4

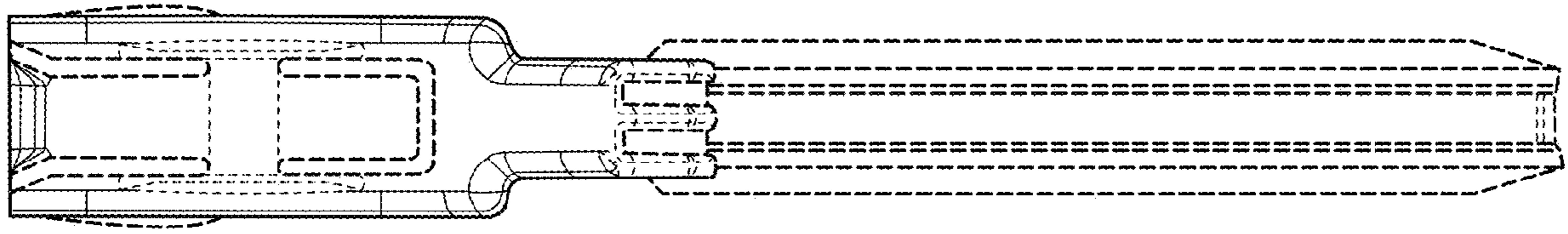


FIG. 5

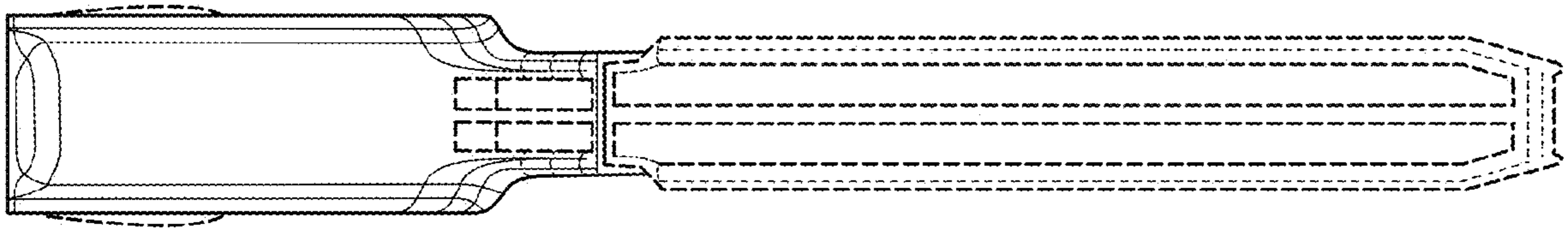


FIG. 6

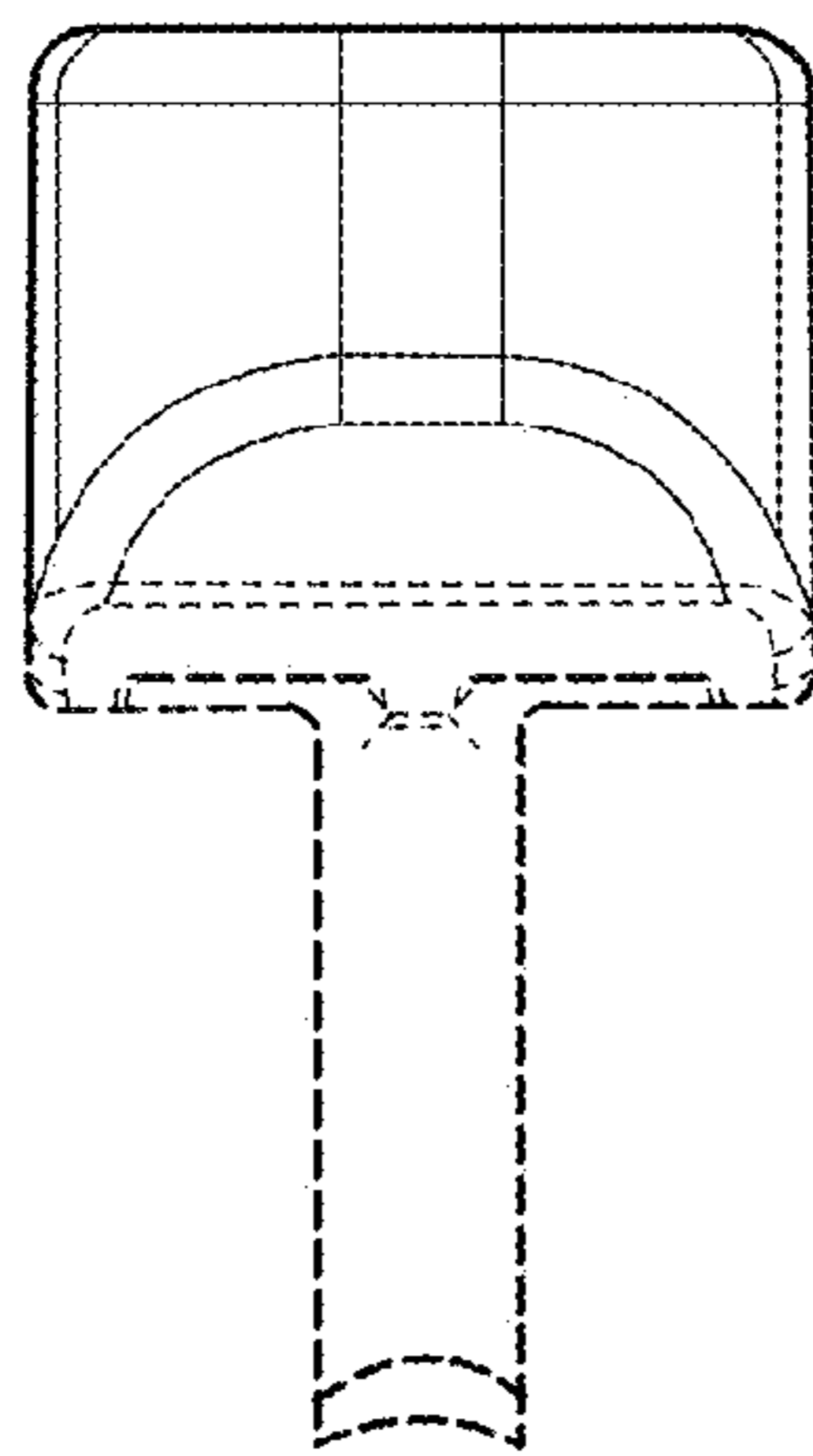


FIG. 7

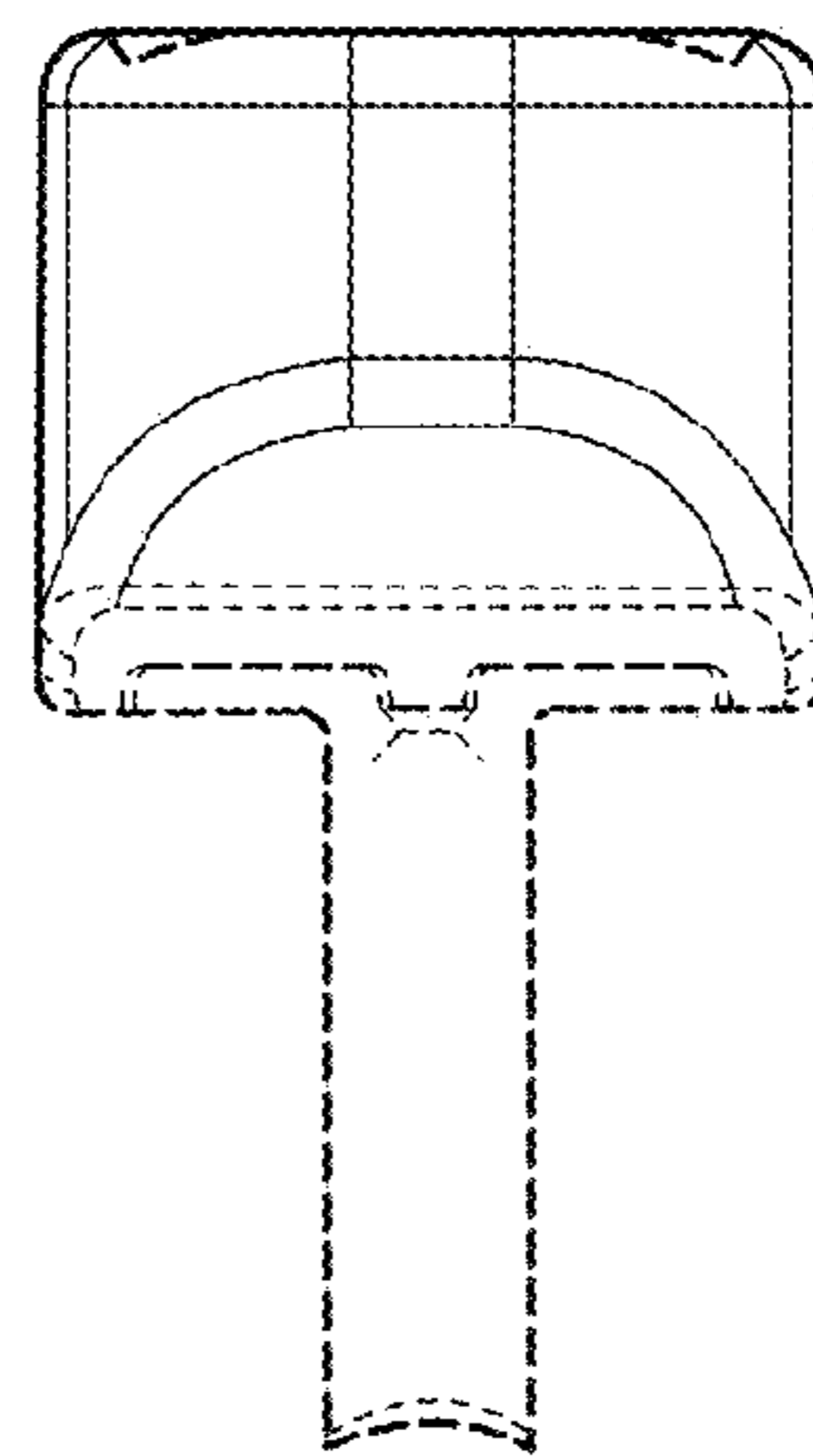


FIG. 8

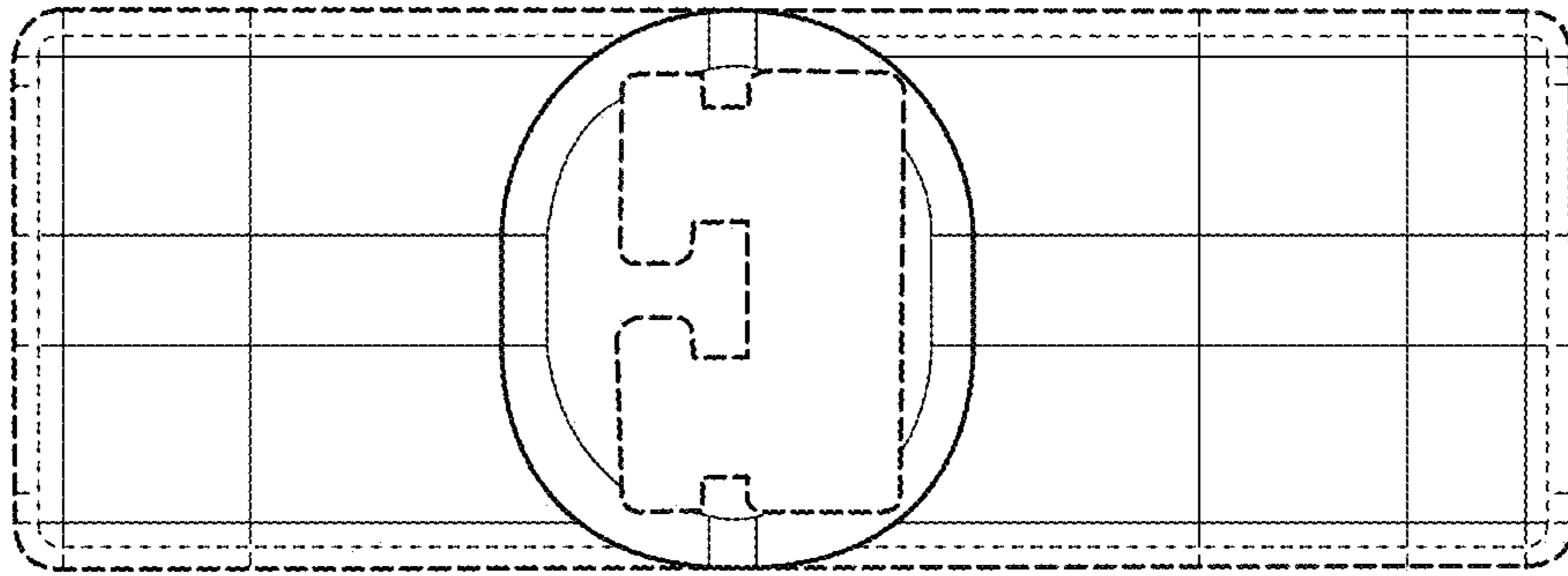


FIG. 9

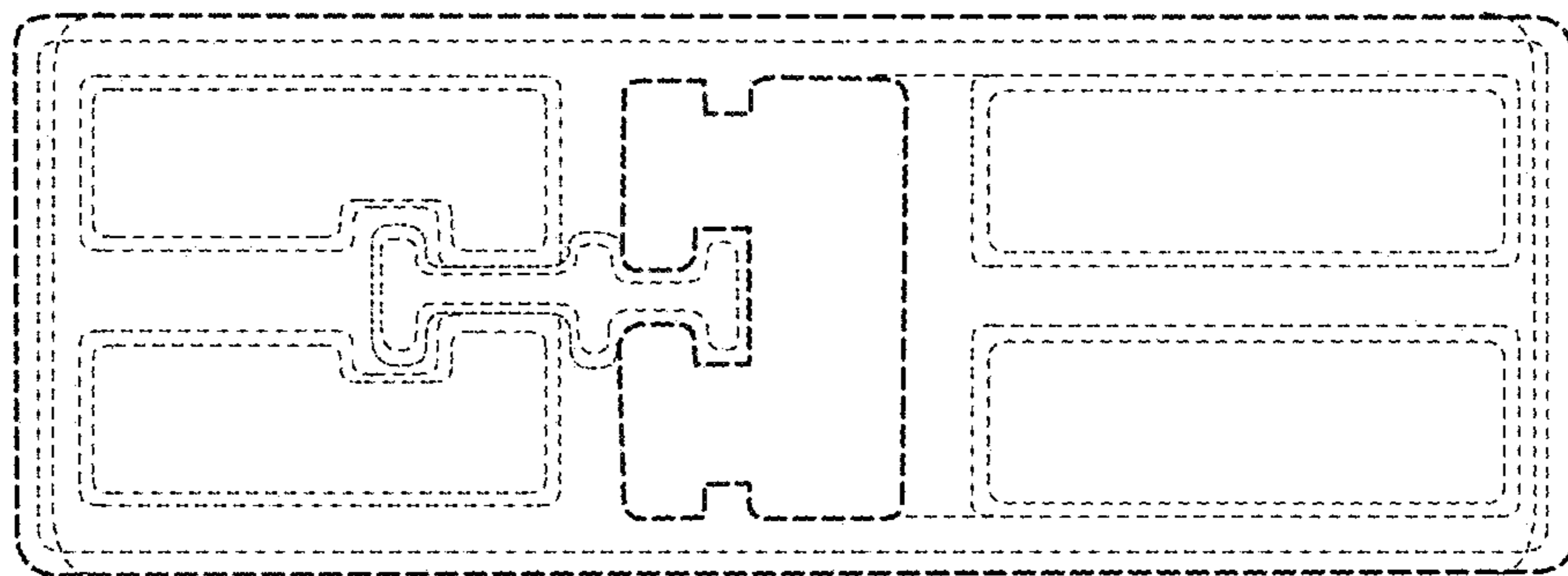


FIG. 10