



US00D901613S

(12) **United States Design Patent** (10) **Patent No.:** **US D901,613 S**  
**Hunter** (45) **Date of Patent:** **\*\* Nov. 10, 2020**

(54) **WATER RIDE**  
(71) Applicant: **ProSlide Technology Inc.**, Ottawa (CA)  
(72) Inventor: **Richard Douglas Hunter**, Ottawa (CA)  
(73) Assignee: **PROSLIDE TECHNOLOGY, INC.**,  
Ottawa (CA)  
(\*\*) Term: **15 Years**  
(21) Appl. No.: **29/691,802**  
(22) Filed: **May 20, 2019**

**Related U.S. Application Data**

(62) Division of application No. 29/640,186, filed on Mar.  
12, 2018, now Pat. No. Des. 876,564.

(30) **Foreign Application Priority Data**

Feb. 5, 2018 (CA) ..... 179569  
(51) **LOC (12) Cl.** ..... **21-03**  
(52) **U.S. Cl.**  
USPC ..... **D21/819**  
(58) **Field of Classification Search**  
USPC ..... D21/811, 814, 818-822

(Continued)

(56) **References Cited**

**U.S. PATENT DOCUMENTS**

908,034 A \* 12/1908 Pyleck ..... B65G 11/103  
193/25 R  
2,465,187 A \* 3/1949 Barrabee ..... A63G 21/02  
472/116

(Continued)

**OTHER PUBLICATIONS**

Demand to Cancellation of Decision, issued from the Re-  
Examination and Evaluation Board of the Turkish Patent Office's  
Review and Reassessment Board No. 2018/T-1106. (16 pages).

(Continued)

*Primary Examiner* — Mitchell I. Siegel  
(74) *Attorney, Agent, or Firm* — Finnegan, Henderson,  
Farabow, Garrett & Dunner, L.L.P.

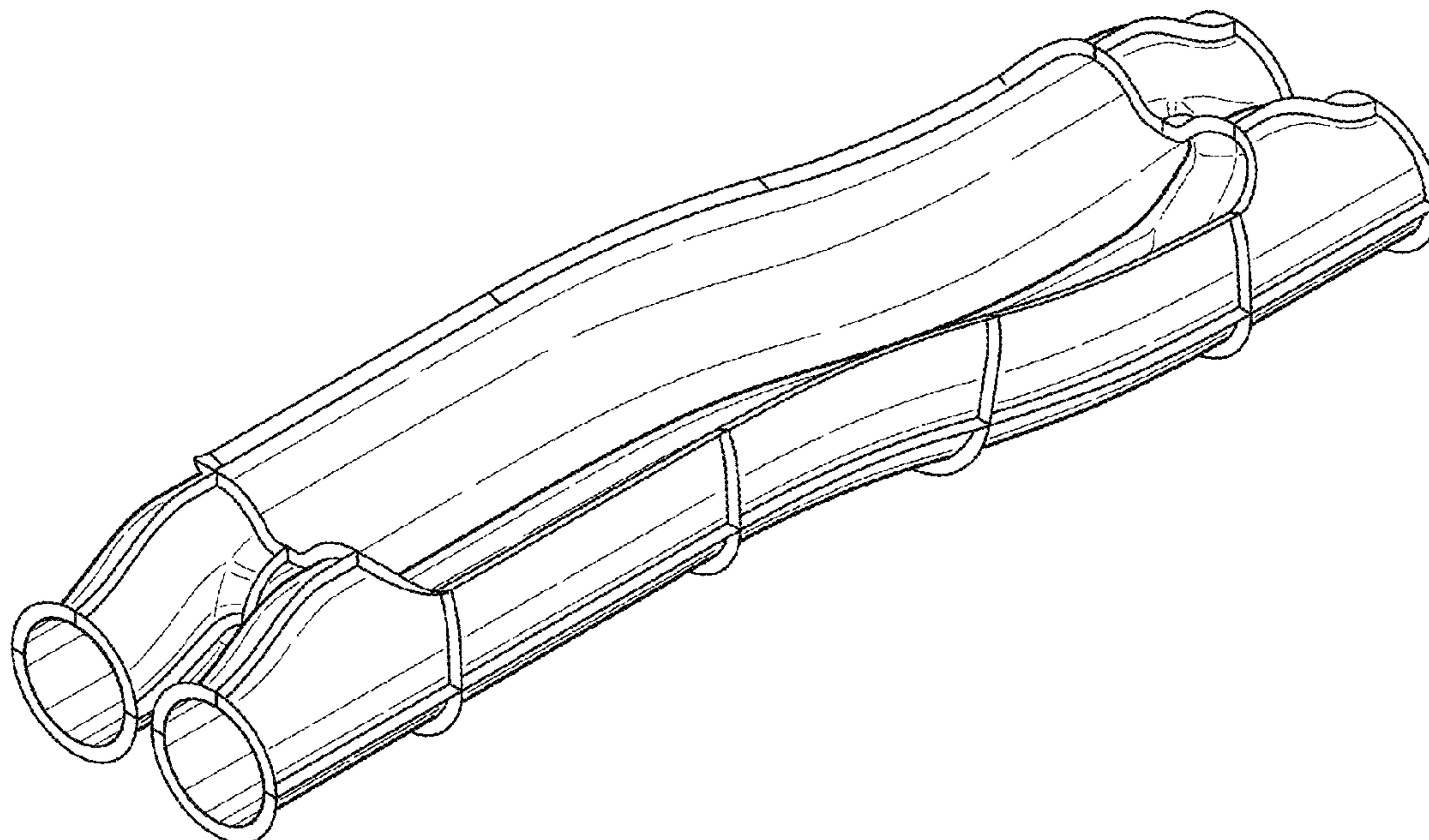
(57) **CLAIM**

The ornamental design for a water ride, as shown and  
described.

**DESCRIPTION**

FIG. 1 is a perspective view of a water ride showing an  
embodiment of my new design;  
FIG. 2 is a front view thereof  
FIG. 3 is a rear view thereof;  
FIG. 4 is a right side view thereof;  
FIG. 5 is a left side view thereof;  
FIG. 6 is a top view thereof;  
FIG. 7 is a bottom view thereof;  
FIG. 8 is a perspective view of a water ride showing another  
embodiment of my new design;  
FIG. 9 is a front view thereof;  
FIG. 10 is a rear view thereof;  
FIG. 11 is a right side view thereof;  
FIG. 12 is a left side view thereof;  
FIG. 13 is a top view thereof;  
FIG. 14 is a bottom view thereof;  
FIG. 15 is a perspective view of a water ride showing  
another embodiment of my new design;  
FIG. 16 is a front view thereof;  
FIG. 17 is a rear view thereof;  
FIG. 18 is a right side view thereof;  
FIG. 19 is a left side view thereof;  
FIG. 20 is a top view thereof; and,  
FIG. 21 is a bottom view thereof.

**1 Claim, 14 Drawing Sheets**



(58) **Field of Classification Search**  
 CPC ..... A63G 21/00–21/22  
 See application file for complete search history.

(56) **References Cited**

U.S. PATENT DOCUMENTS

D256,940	S *	9/1980	Allen, 3rd	.....	D21/819
D266,346	S *	9/1982	Millay	.....	D21/819
D269,104	S *	5/1983	Brown	.....	D21/819
D269,105	S *	5/1983	Brown	.....	D21/819
D269,106	S *	5/1983	Brown	.....	D21/819
D269,107	S *	5/1983	Brown	.....	D21/819
D328,119	S *	7/1992	Matsch	.....	D21/821
5,505,663	A *	4/1996	Goulart	.....	A63G 21/00 14/70
5,554,074	A *	9/1996	Von Parrish	.....	A63B 9/00 472/116
D388,148	S *	12/1997	Sutton	.....	D21/818
5,735,748	A *	4/1998	Meyers	.....	A63G 21/18 472/116
D460,511	S *	7/2002	Van Deusen	.....	D21/818
6,419,587	B1 *	7/2002	Geyer	.....	A63G 21/00 472/116
D619,186	S *	7/2010	Strall	.....	D21/818
D629,861	S *	12/2010	Cuttell	.....	D21/821
7,854,662	B2 *	12/2010	Braun	.....	A63G 21/18 472/117
D637,253	S *	5/2011	Hunter	.....	D21/819
D641,823	S *	7/2011	Hunter	.....	D21/819
8,430,760	B2 *	4/2013	Brassard	.....	A63G 21/18 472/117
D743,497	S *	11/2015	Eroglu	.....	D21/818
D758,517	S *	6/2016	Gonzalez	.....	D21/818
9,486,711	B2 *	11/2016	Brassard	.....	A63G 21/18
D806,816	S *	1/2018	Forbes	.....	D21/818
D821,525	S *	6/2018	Green	.....	D21/814
10,046,245	B1 *	8/2018	Whincup	.....	A63G 31/02
D838,331	S *	1/2019	Ozsoz	.....	D21/819
D838,799	S *	1/2019	Ozsoz	.....	D21/819
D838,800	S *	1/2019	Ozsoz	.....	D21/819
10,166,483	B2 *	1/2019	Brassard	.....	A63G 21/18

D876,564	S *	2/2020	Hunter	.....	D21/819
2006/0252563	A1 *	11/2006	Werner	.....	A63G 21/18 472/117
2007/0087849	A1 *	4/2007	Henry	.....	A63G 3/00 472/117
2007/0087850	A1 *	4/2007	Henry	.....	A63G 3/00 472/117
2009/0017927	A1 *	1/2009	Shozi	.....	A63G 21/18 472/117
2009/0143155	A1 *	6/2009	Werner	.....	A63G 21/18 472/117
2011/0287848	A1 *	11/2011	Bradley	.....	A63G 21/18 472/117
2017/0106295	A1 *	4/2017	Hunter	.....	A63G 21/18

OTHER PUBLICATIONS

Decision from the Turkish Re-examination and Evaluation Board regarding Turkish Design Registration No. 2018/01583 (2 pages).  
 Rejoinder Petition to the Turkish Re-examination and Evaluation Board regarding Turkish Design Registration No. 2018/01583 (13 pages).  
 First Examination Report for India Design Application No. 303452, (2 pages), dated Apr. 10, 2018.  
 First Examination Report for India Design Application No. 303453, (2 pages), dated Apr. 10, 2018.  
 First Examination Report for India Design Application No. 303454, (2 pages), dated Mar. 28, 2018.  
 First Examination Report for India Design Application No. 303455, (2 pages), dated Mar. 28, 2018.  
 First Examination Report for India Design Application No. 303456, (2 pages), dated Apr. 10, 2018.  
 First Examination Report for India Design Application No. 303457, (2 pages), dated Apr. 10, 2018.  
 First Examination Report for India Design Application No. 303458, (2 pages), dated Apr. 17, 2018.  
 T103 Form for Opposition against design registration publication, filed in counterpart Turkish Design Patent Application No. 2018/01583, dated May 24, 2018.

\* cited by examiner

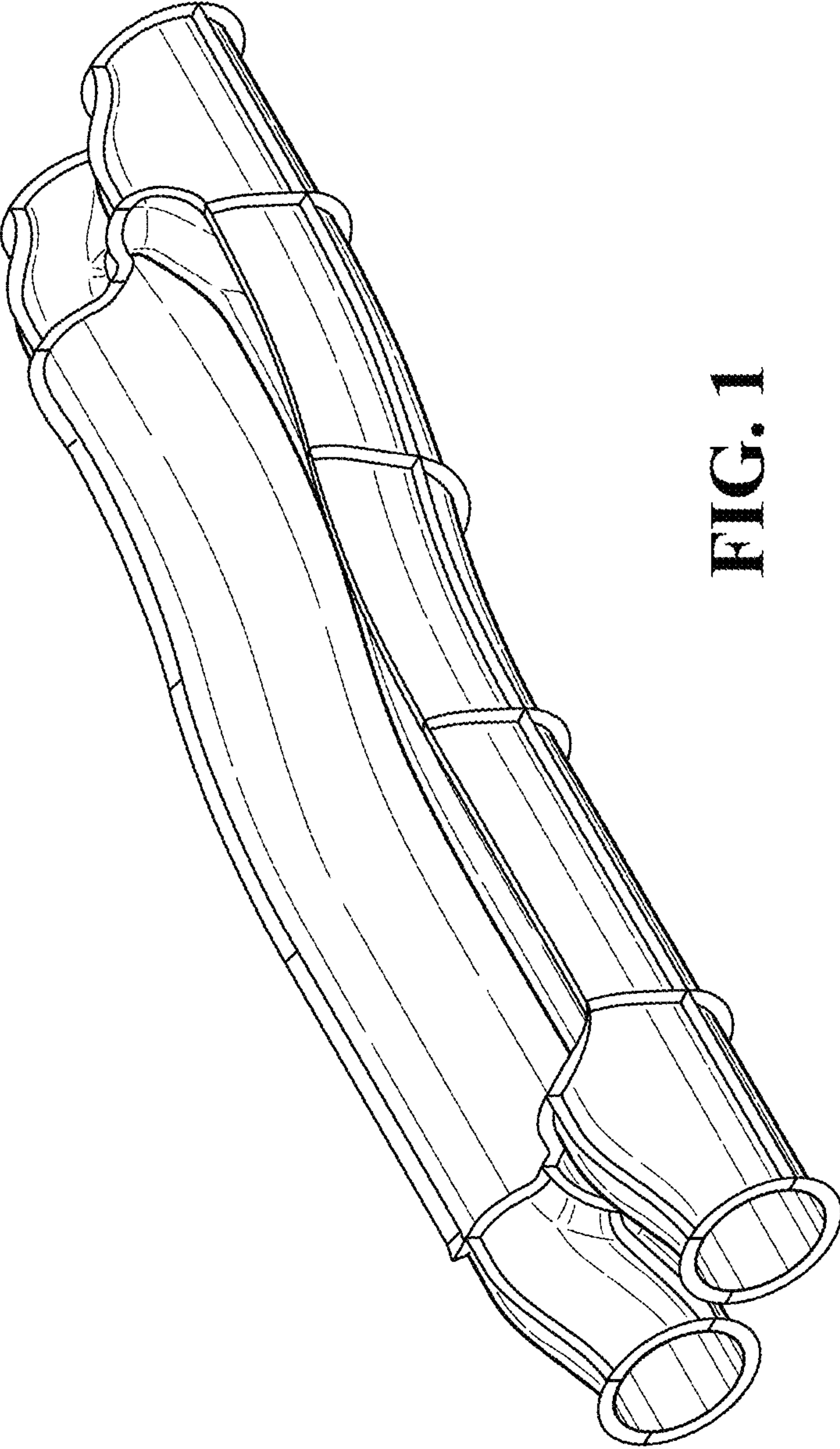
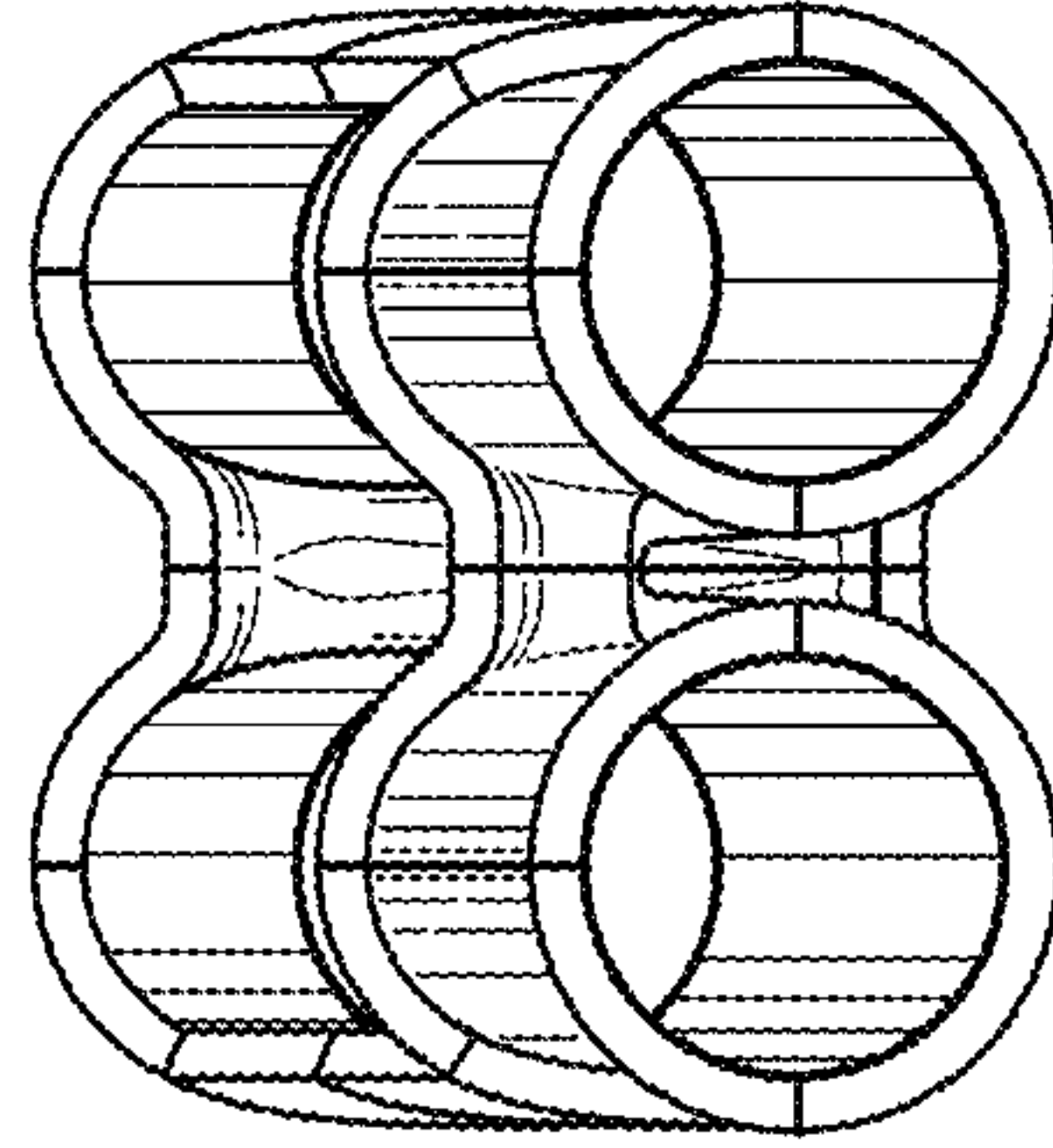
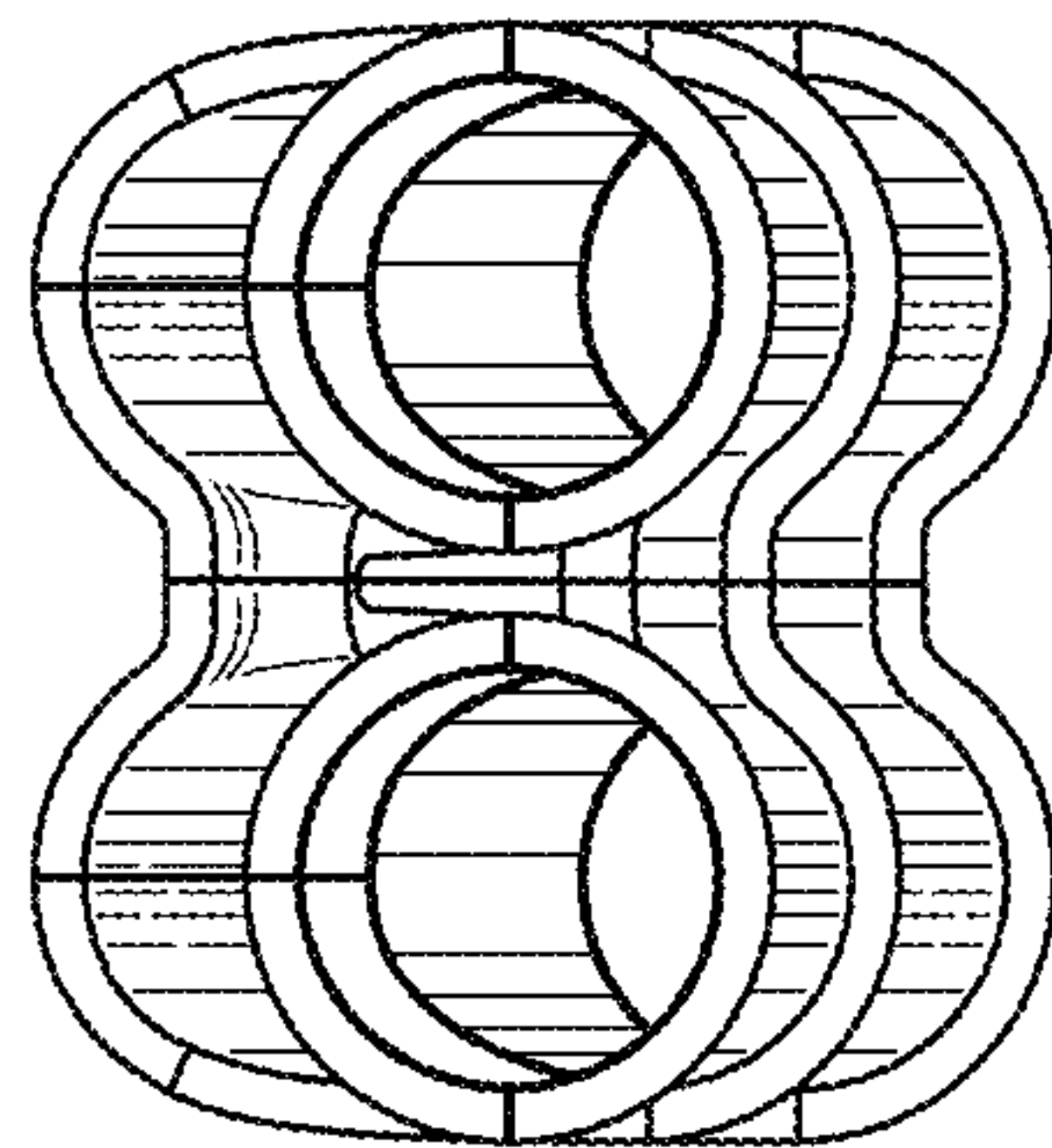


FIG. 1

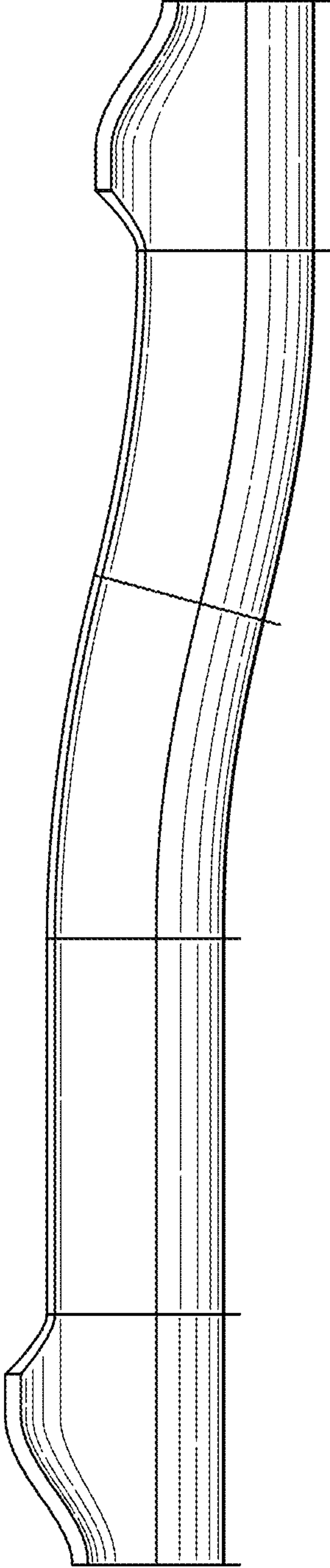




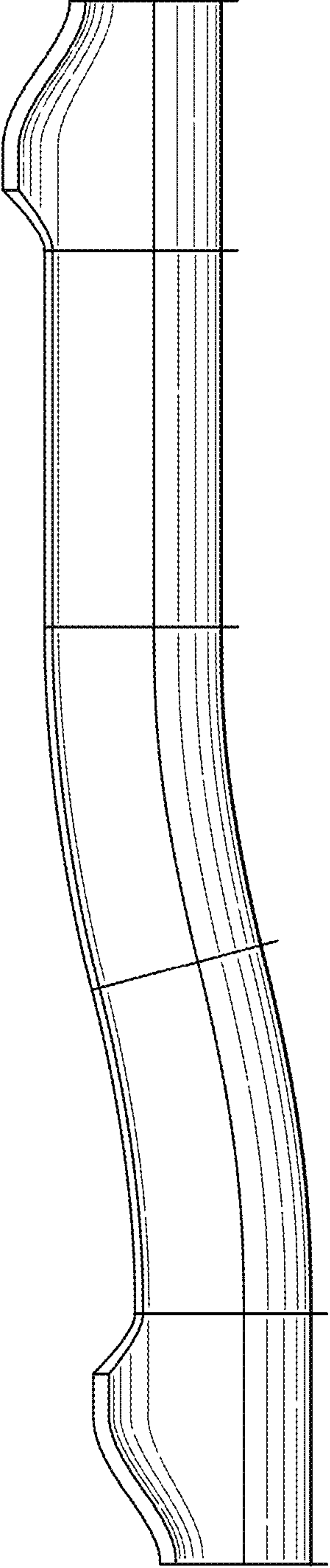
**FIG. 3**



**FIG. 2**



**FIG. 4**



**FIG. 5**

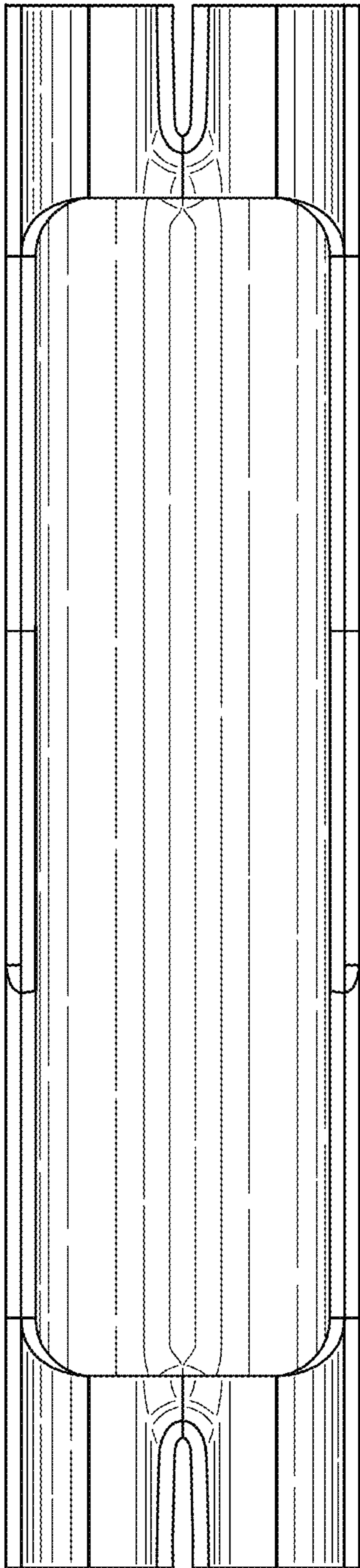


FIG. 6

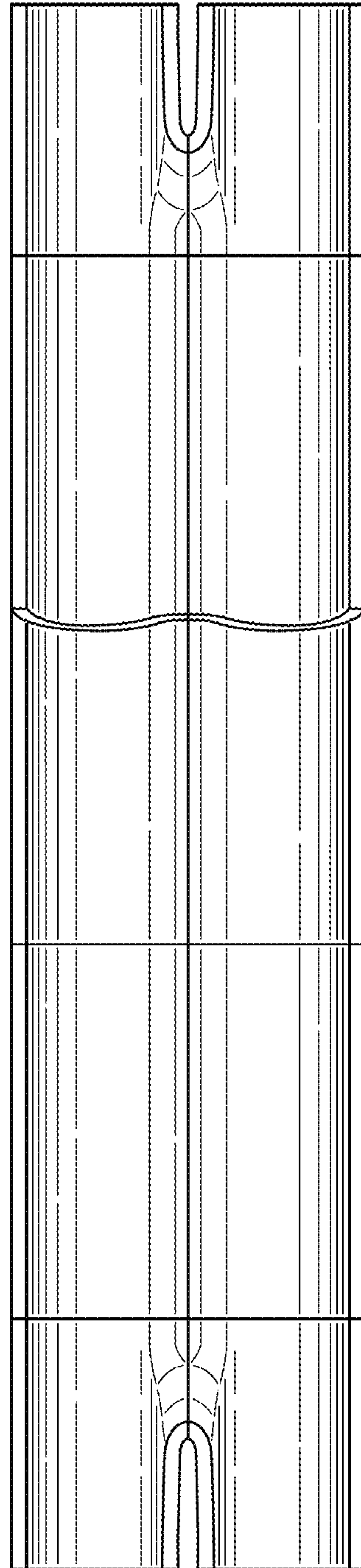


FIG. 7

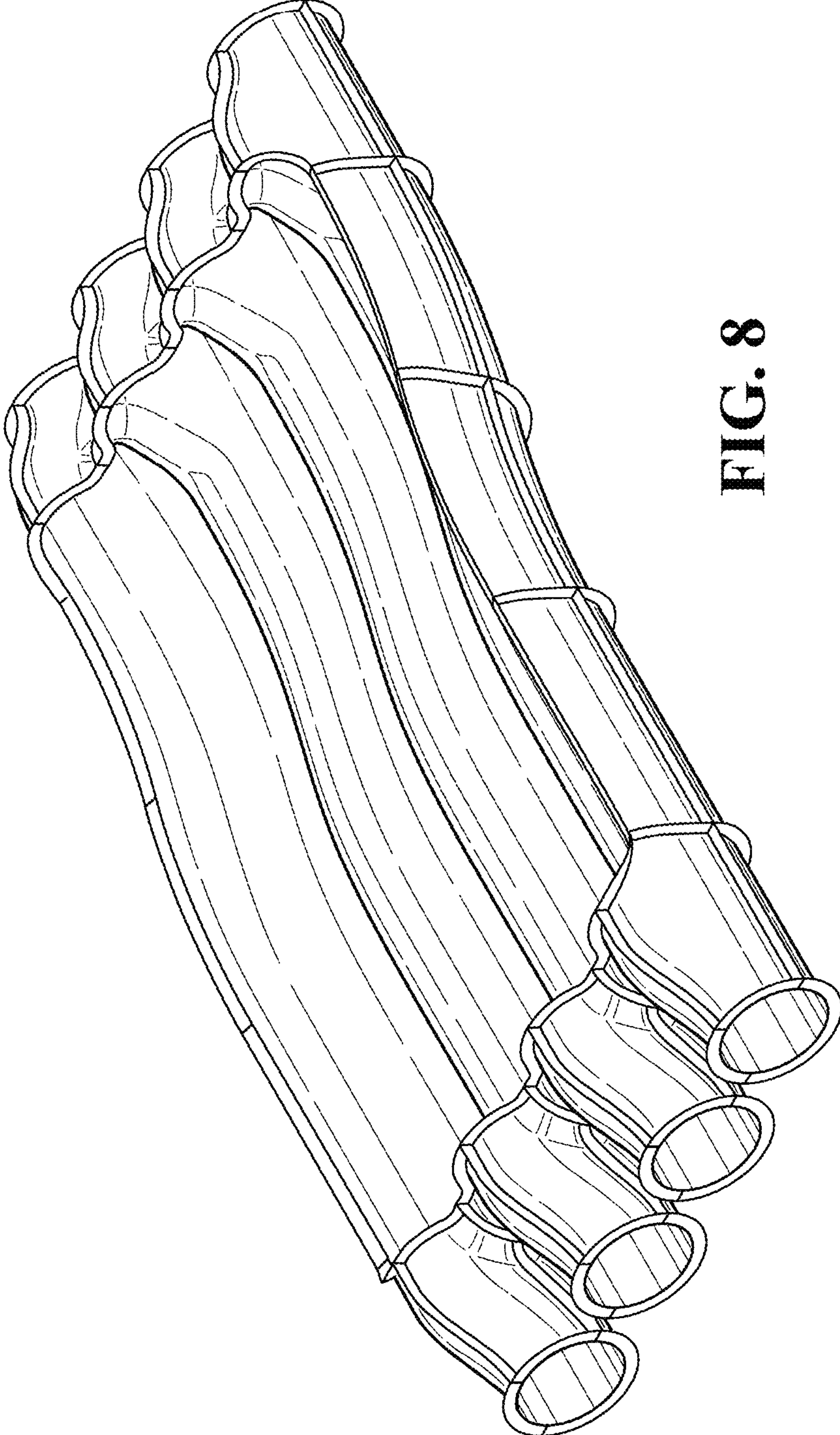
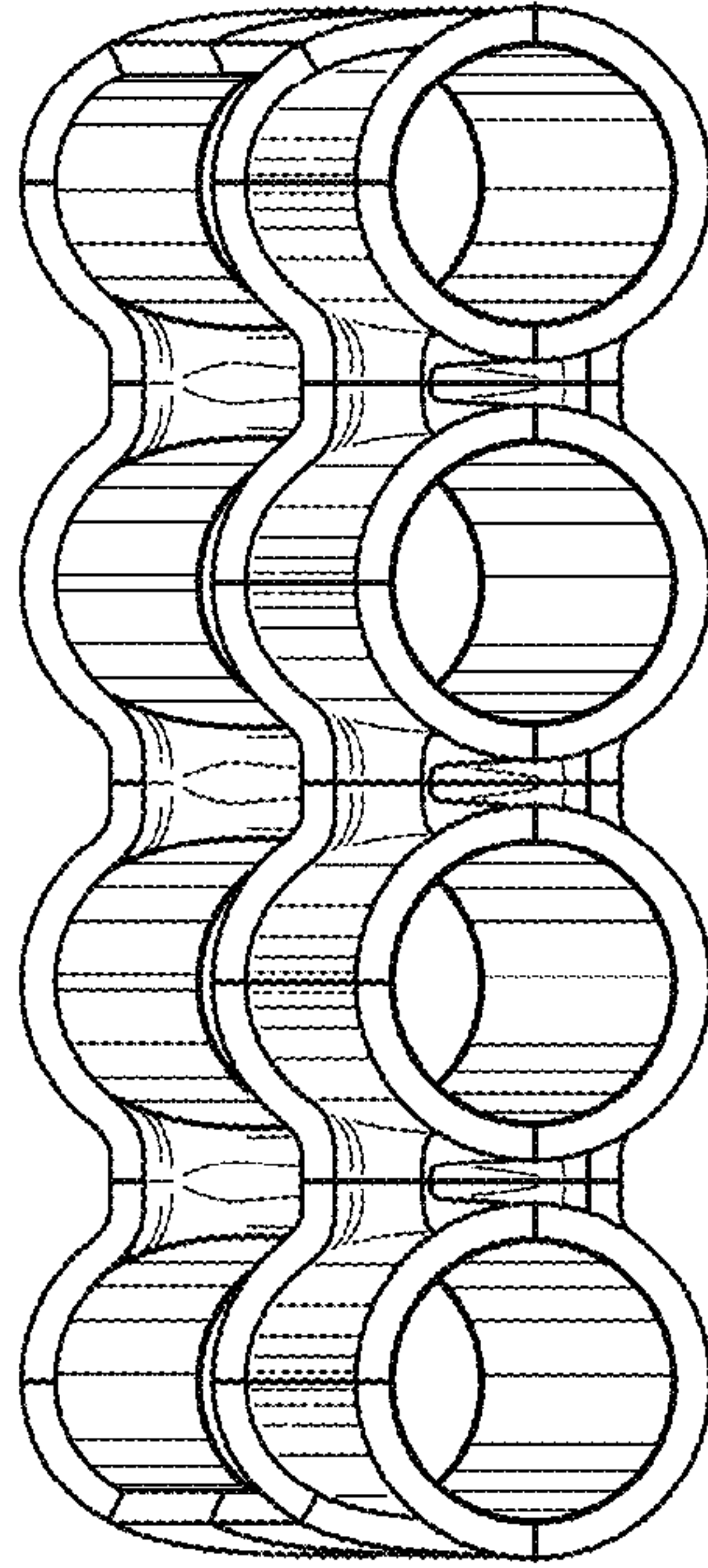
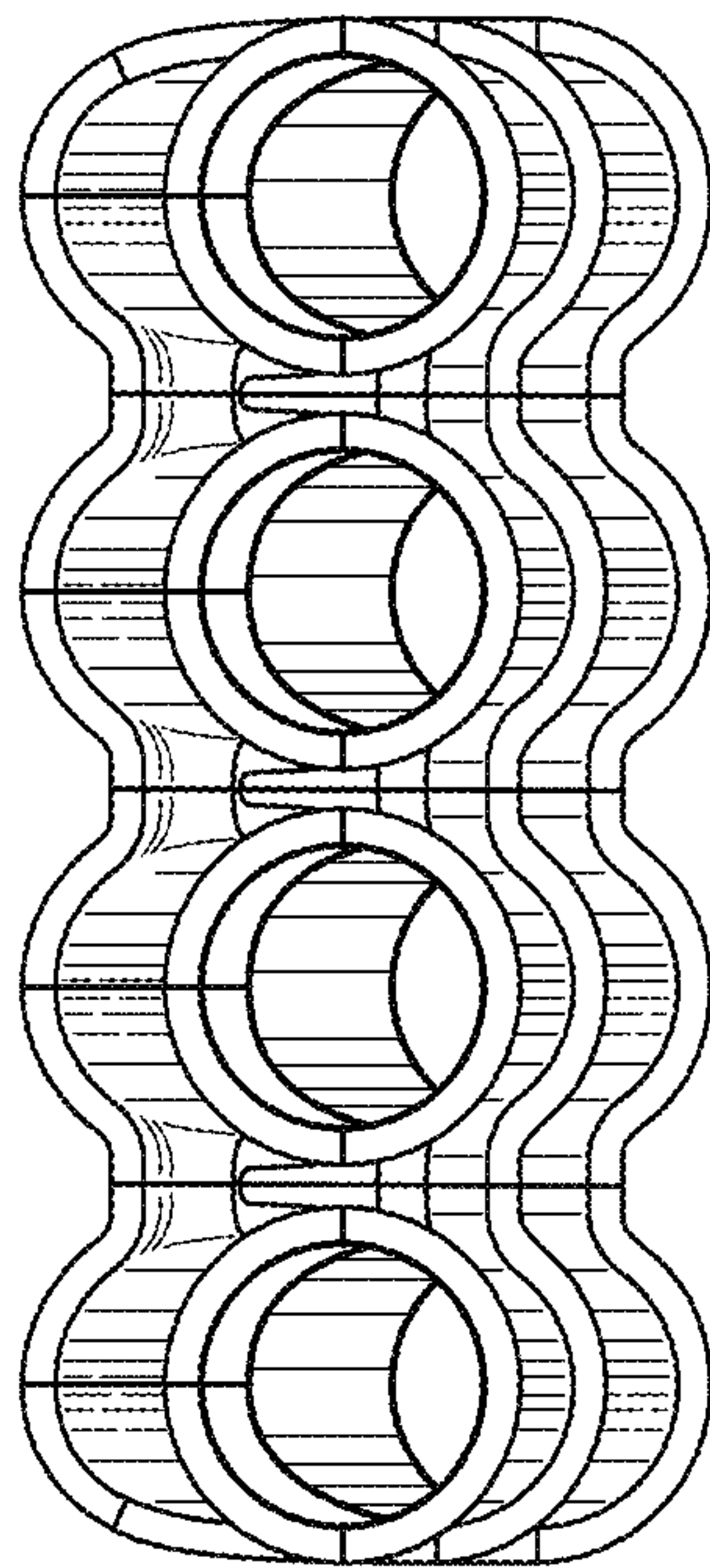


FIG. 8



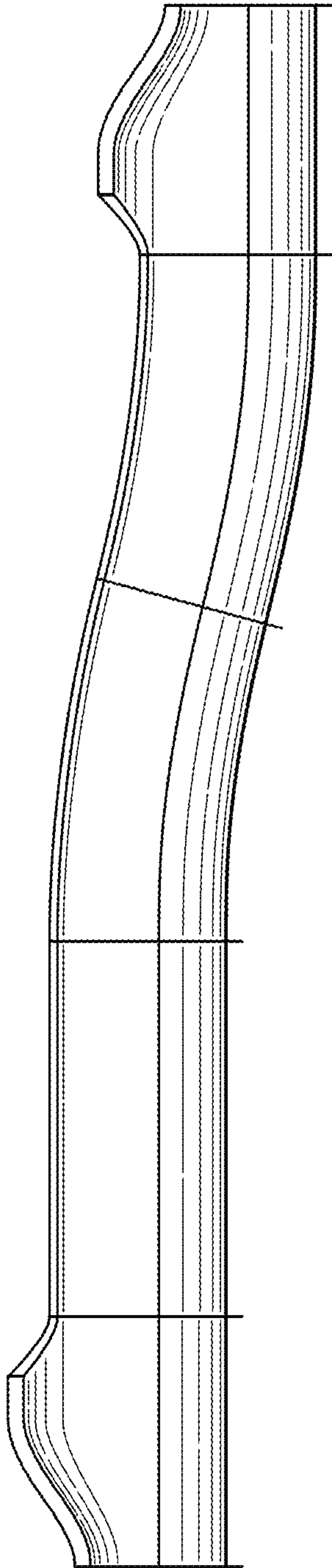


**FIG. 10**

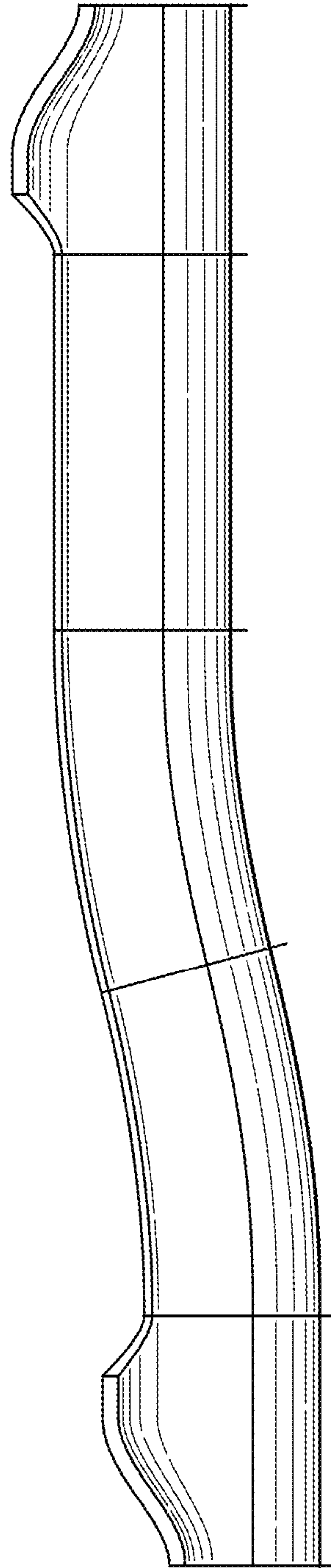


**FIG. 9**





**FIG. 11**



**FIG. 12**

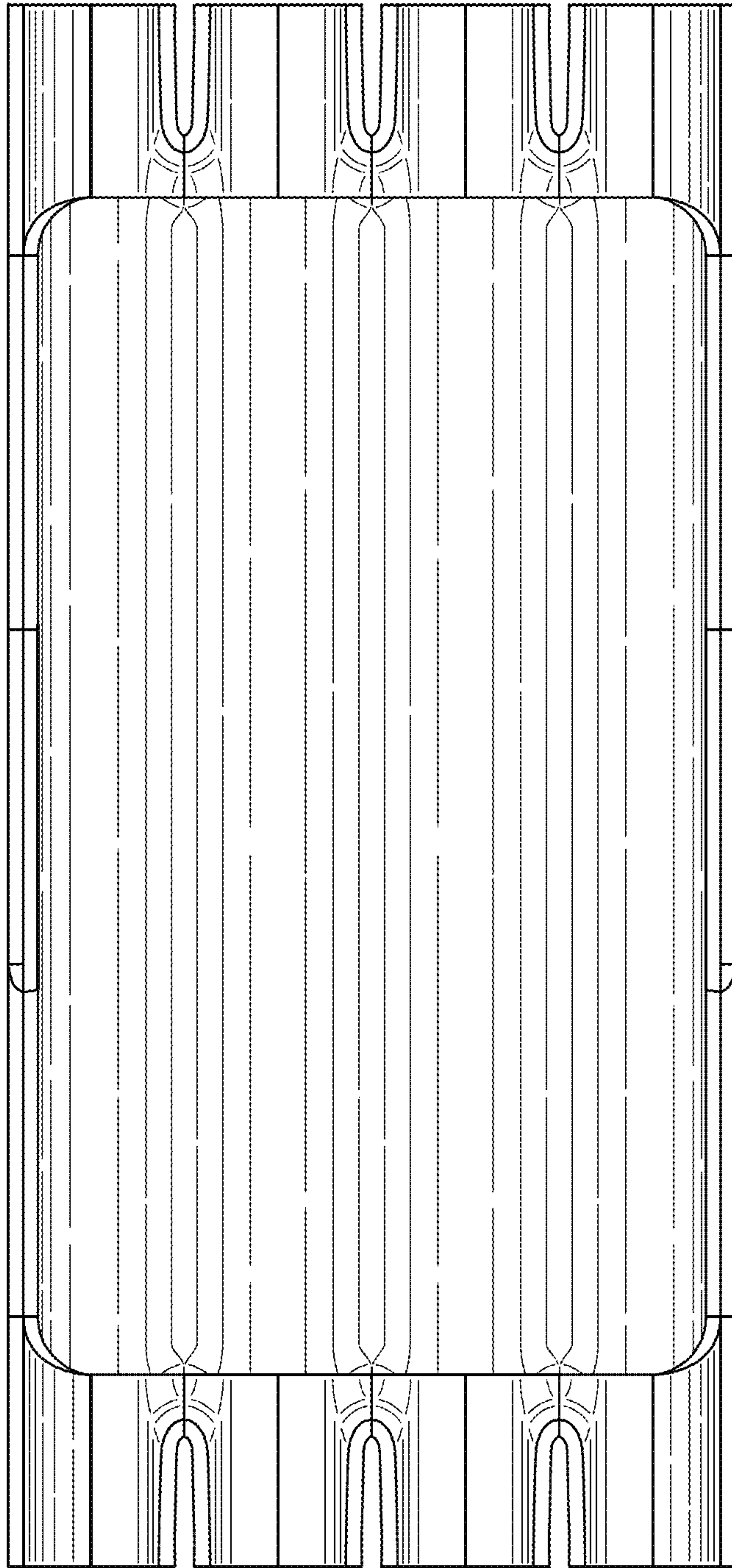


FIG. 13

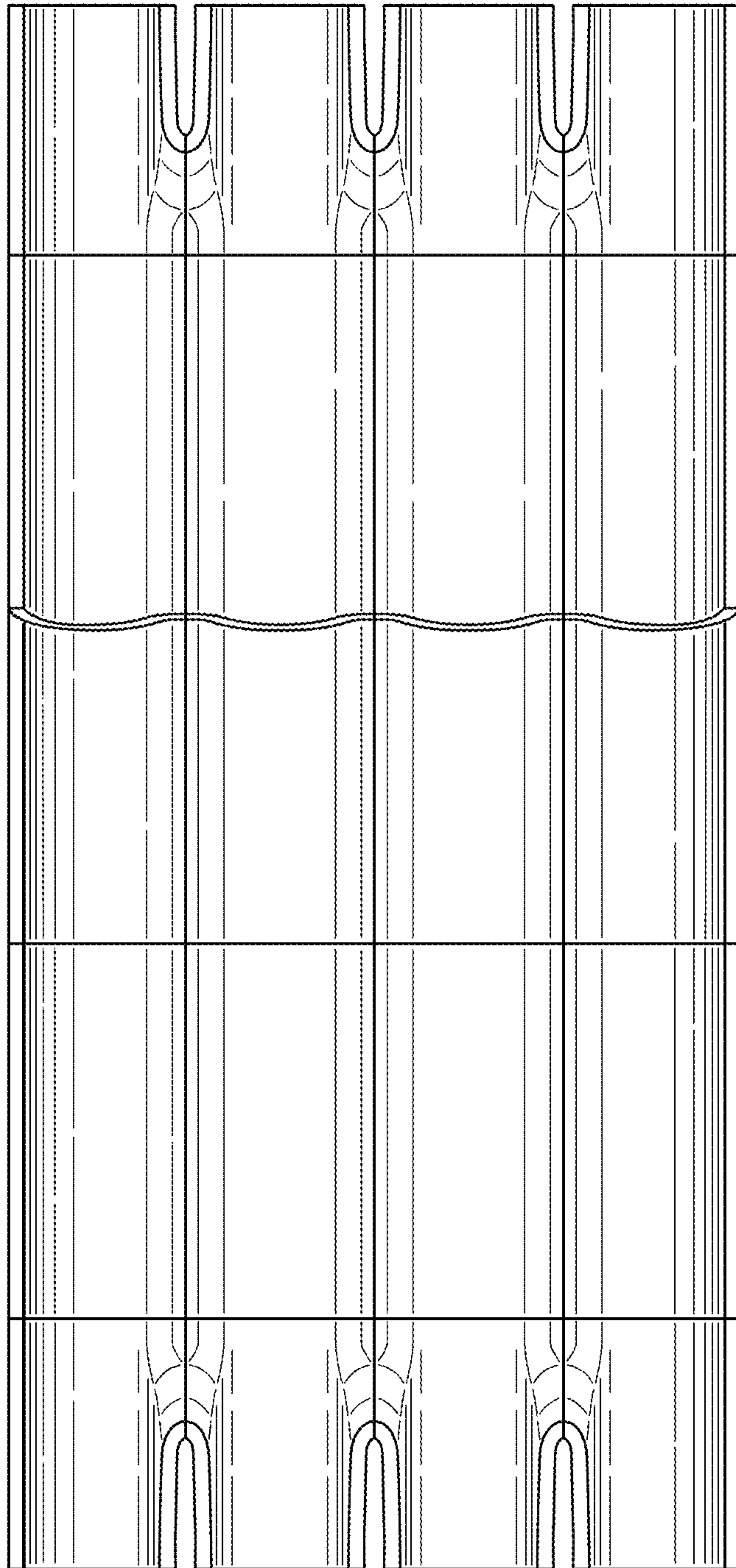


FIG. 14



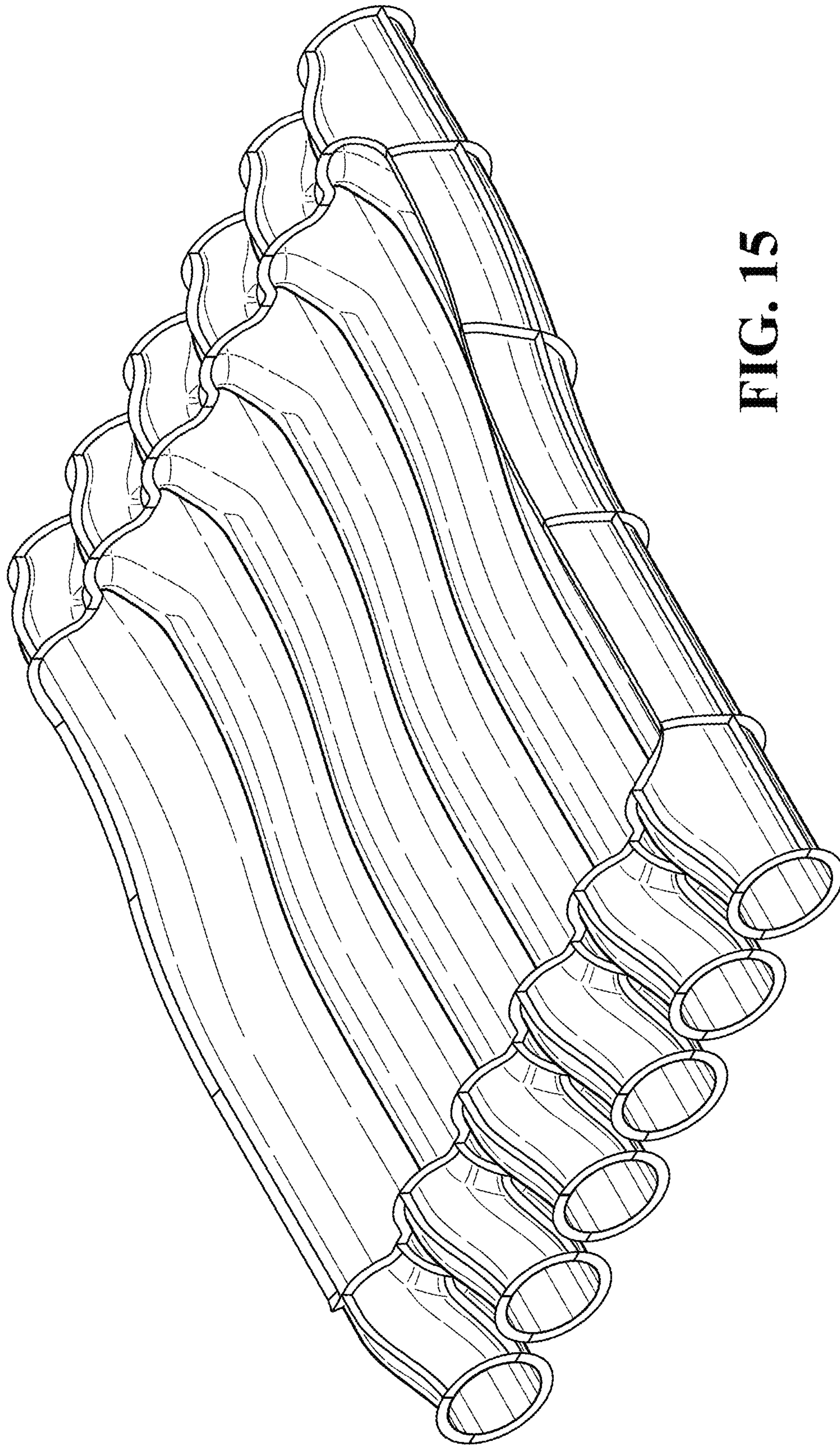
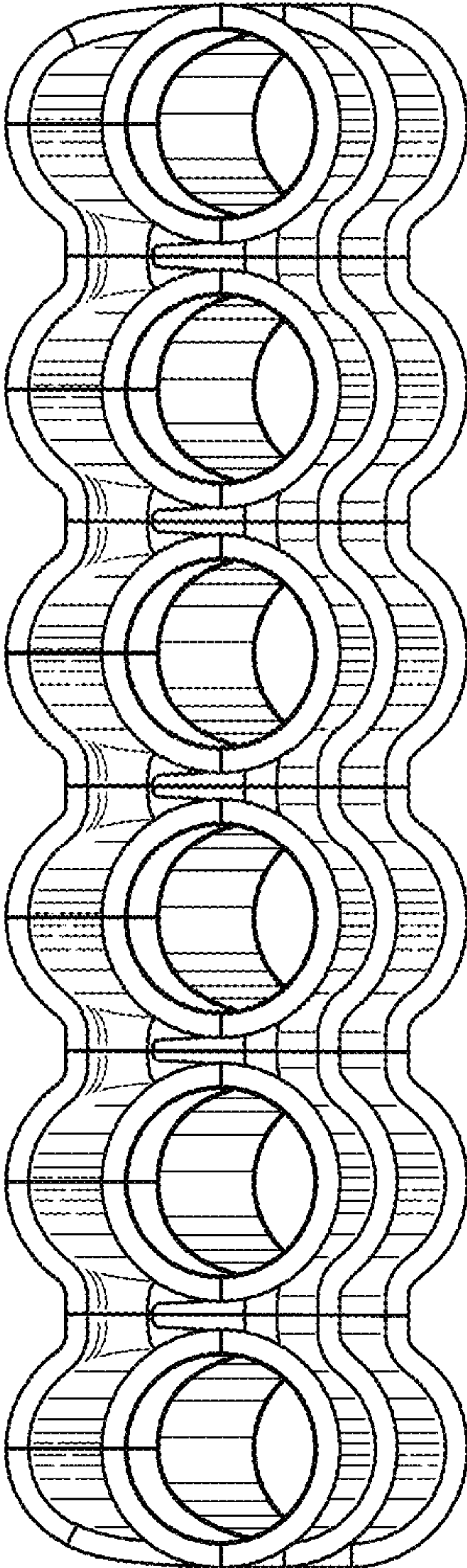
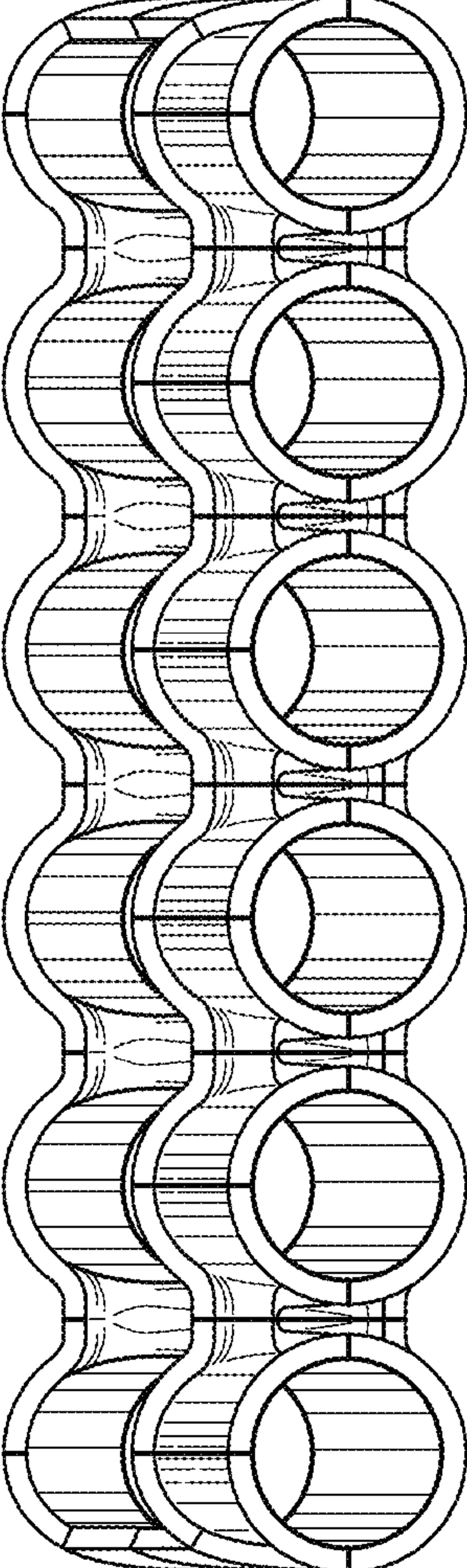


FIG. 15



**FIG. 16**



**FIG. 17**

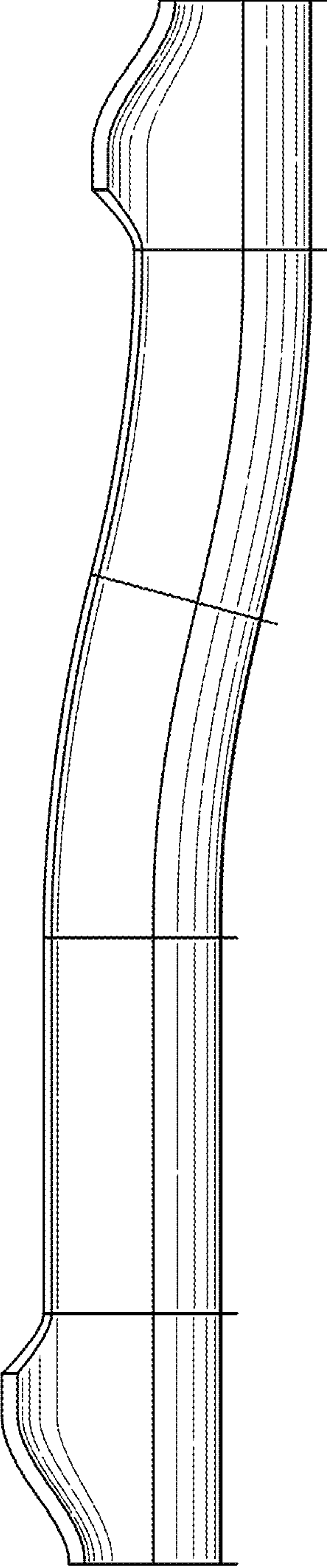


FIG. 18

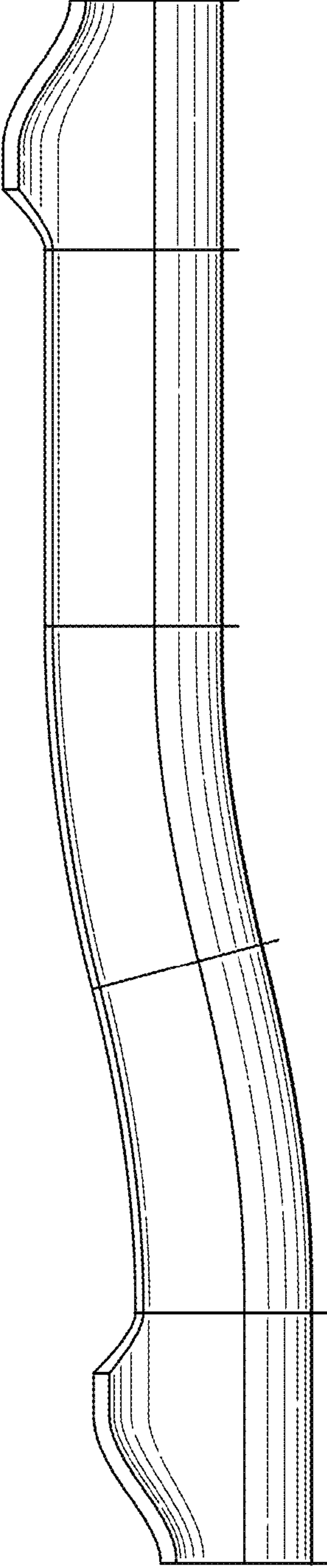


FIG. 19



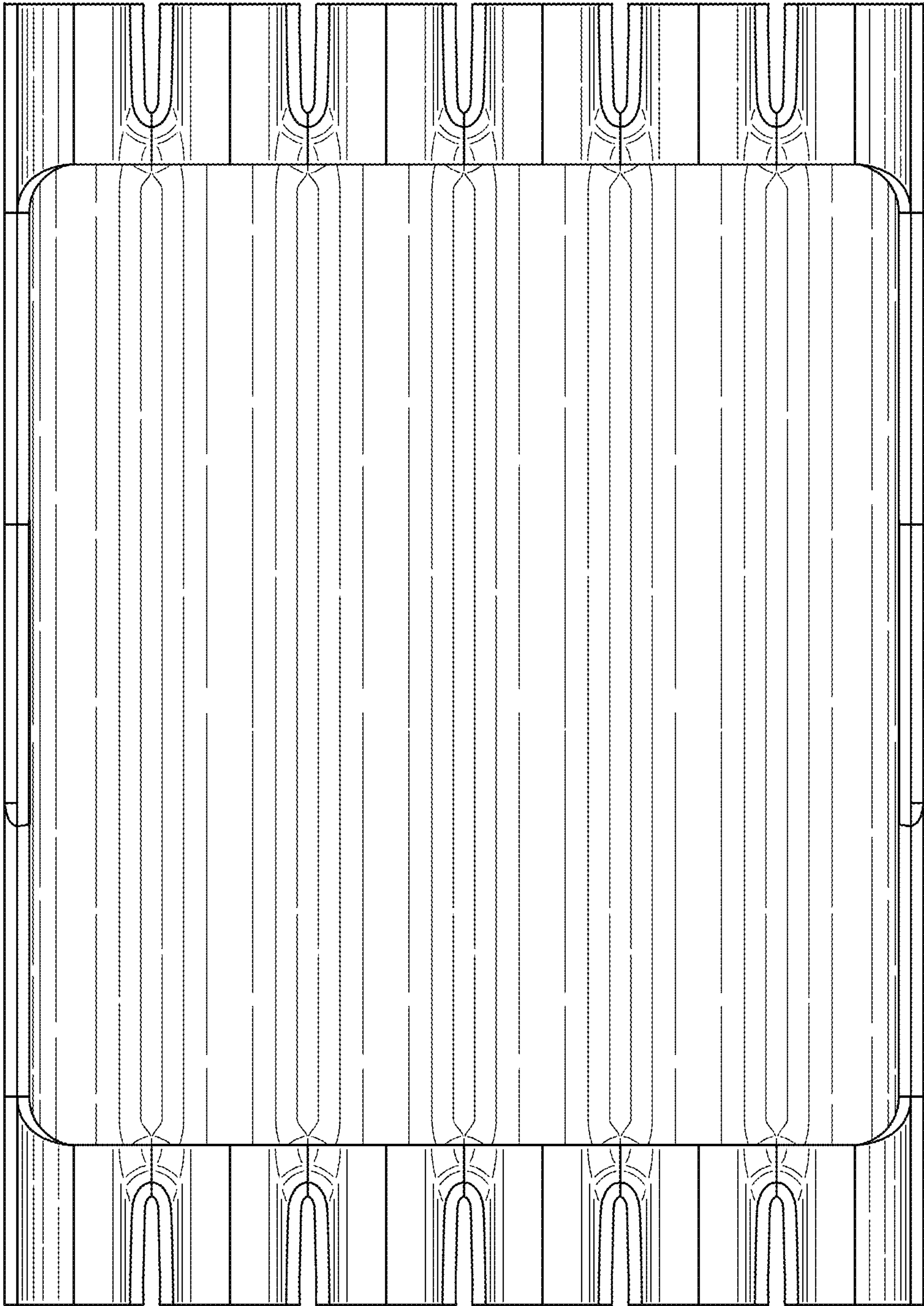


FIG. 20

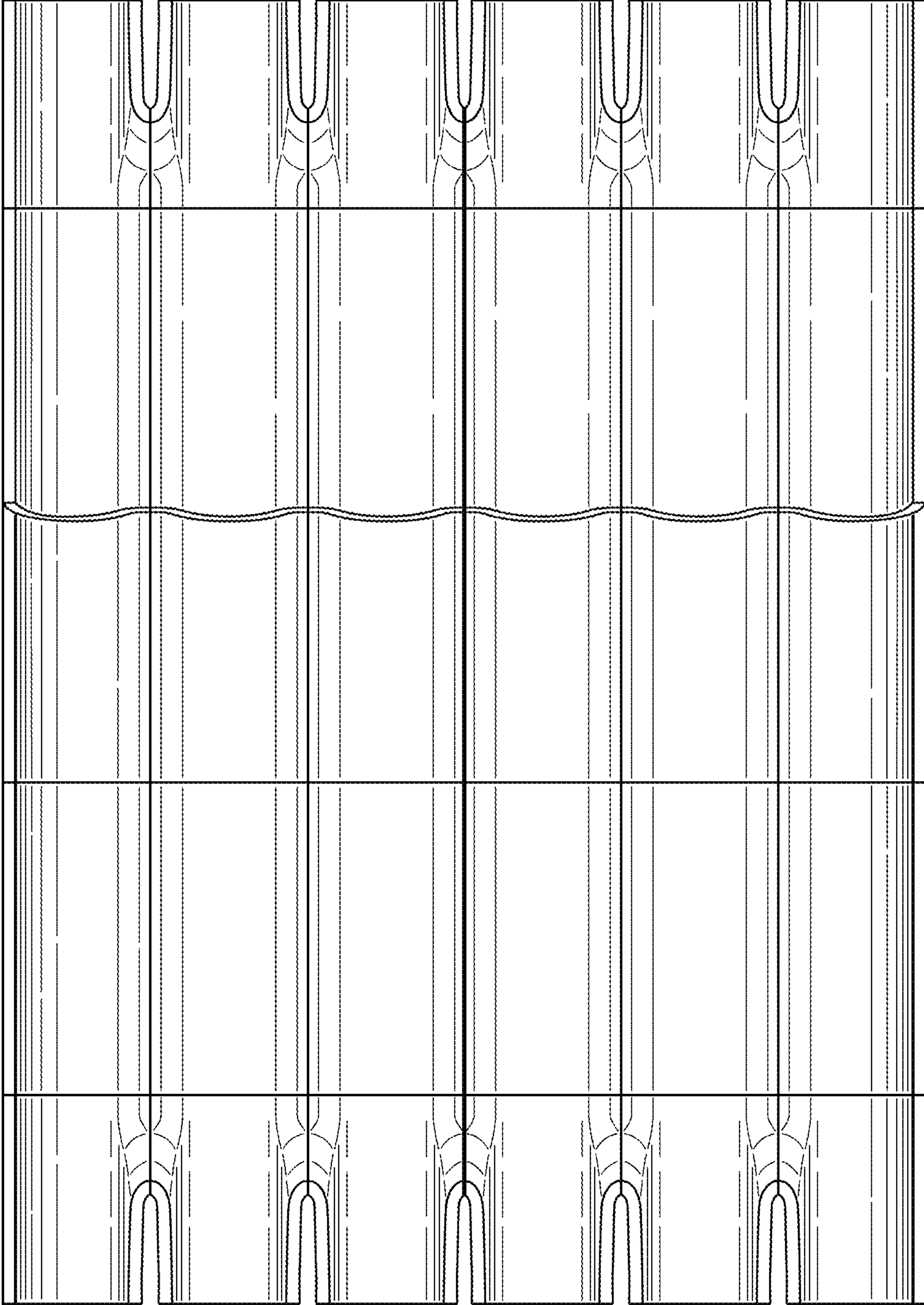


FIG. 21