



US00D901611S

(12) **United States Design Patent** (10) **Patent No.:** **US D901,611 S**
Lanyi (45) **Date of Patent:** **** Nov. 10, 2020**

(54) **PUTTER**
(71) Applicant: **William Lanyi**, Beaufort, SC (US)
(72) Inventor: **William Lanyi**, Beaufort, SC (US)
(**) Term: **15 Years**
(21) Appl. No.: **29/732,102**
(22) Filed: **Apr. 21, 2020**
(51) **LOC (12) Cl.** **21-02**
(52) **U.S. Cl.**
USPC **D21/742**
(58) **Field of Classification Search**
USPC D21/736-746, 789, 791
CPC A63B 53/00; A63B 53/04; A63B 53/007;
A63B 53/065; A63B 53/0487; A63B
60/00; A63B 60/46
See application file for complete search history.

7,041,004 B2 * 5/2006 Engdahl A63B 53/007
473/340
D565,680 S * 4/2008 Gedeon D21/736
D583,888 S * 12/2008 Nehrbas D21/759
D619,666 S * 7/2010 DePaul D21/743
D624,616 S * 9/2010 Rife D21/742
D624,617 S * 9/2010 Rife D21/742
D667,070 S * 9/2012 Balyeat D21/791
8,382,603 B1 * 2/2013 Hong A63B 53/007
473/226
D708,276 S * 7/2014 Myers D21/743
D708,277 S * 7/2014 Myers D21/743
D708,684 S * 7/2014 Myers D21/743
D728,716 S * 5/2015 Pfaff D21/742
D740,900 S * 10/2015 Molgaard D21/738
D750,718 S * 3/2016 Stephens D21/791
9,302,169 B2 * 4/2016 Lee A63B 69/3685
D783,103 S * 4/2017 Warren D21/743
9,630,080 B1 * 4/2017 Lanyi A63B 69/3685
2002/0177486 A1 * 11/2002 Lazier A63B 69/3685
473/236

(Continued)

Primary Examiner — Mitchell I. Siegel

(74) Attorney, Agent, or Firm — Lawrence J. Gibney, Jr.

(56) **References Cited**

U.S. PATENT DOCUMENTS

D209,294 S * 11/1967 Hitt D21/745
4,871,174 A * 10/1989 Kobayashi A63B 53/0487
473/252
D339,182 S * 9/1993 Chantler D21/740
D353,178 S * 12/1994 Koleoglou D21/759
D360,011 S * 7/1995 Schmidt D21/743
D363,331 S * 10/1995 Williams D21/739
D380,799 S * 7/1997 Arnold D21/741
D405,138 S * 2/1999 Koumarios D21/738
6,273,827 B1 * 8/2001 Hockerson A63B 53/0487
273/DIG. 8
D447,781 S * 9/2001 Pechal D21/736
6,780,119 B1 * 8/2004 Gankas A63B 69/3685
473/236
6,821,212 B2 * 11/2004 Fowler A63B 69/3632
473/236
D507,028 S * 7/2005 Kriser, II D21/736

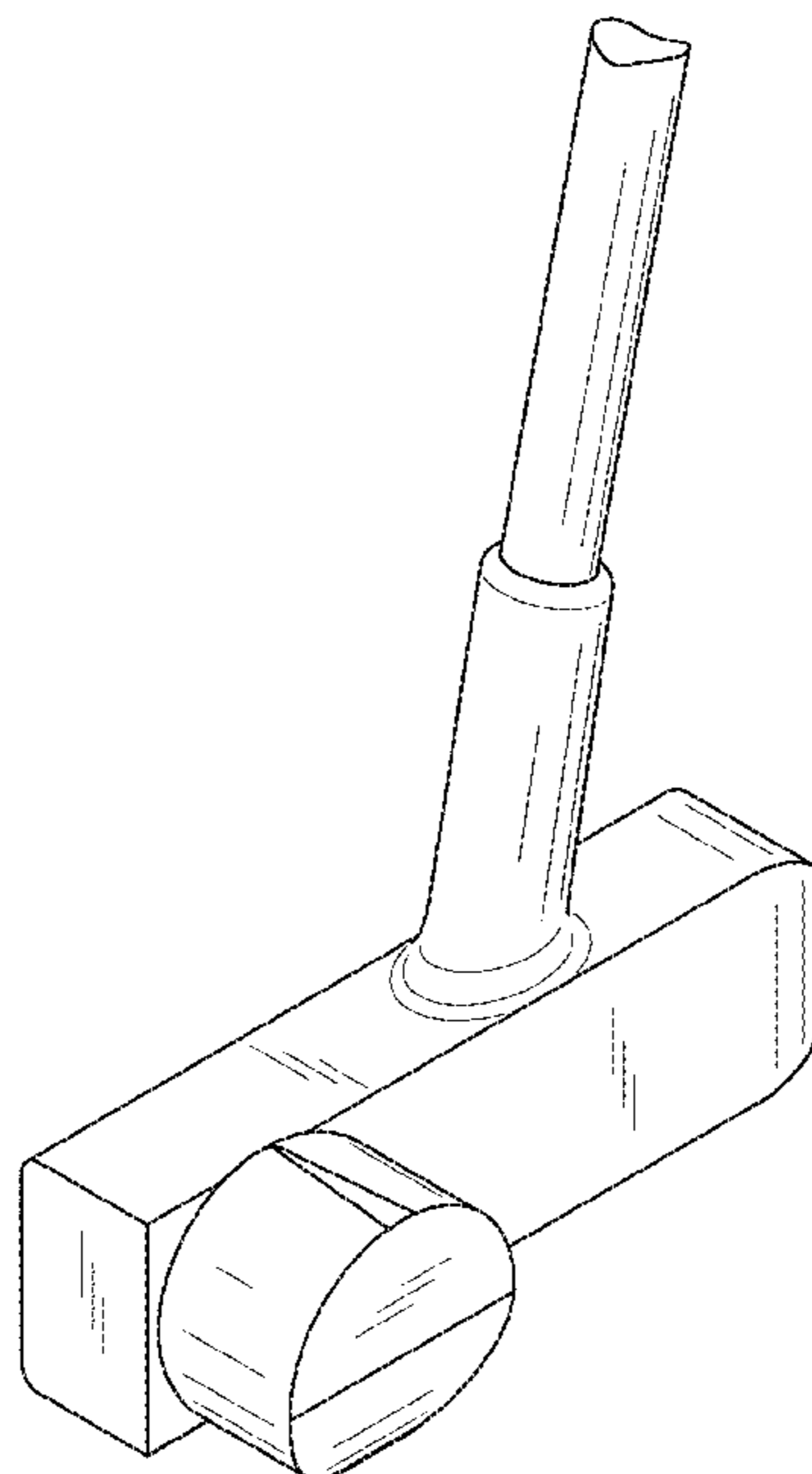
(57) **CLAIM**

The ornamental design for putter, as shown and described.

DESCRIPTION

FIG. 1 is a front elevational view of a putter showing my new design;
FIG. 2 is a rear elevational view thereof;
FIG. 3 is a right side elevational view thereof;
FIG. 4 is a left side elevational view thereof;
FIG. 5 is a top plan view thereof;
FIG. 6 is a bottom plan view thereof;
FIG. 7 is a front and left side perspective view thereof; and,
FIG. 8 is a cross sectional view taken on line 8-8 of FIG. 5.

1 Claim, 7 Drawing Sheets



(56)

References Cited

U.S. PATENT DOCUMENTS

2003/0134686 A1* 7/2003 Arkley A63B 69/3685
473/236
2004/0147332 A1* 7/2004 Engdahl A63B 53/0487
473/236
2006/0135278 A1* 6/2006 Lee A63B 69/3685
473/236
2008/0146372 A1* 6/2008 John A63B 69/3685
473/341

* cited by examiner

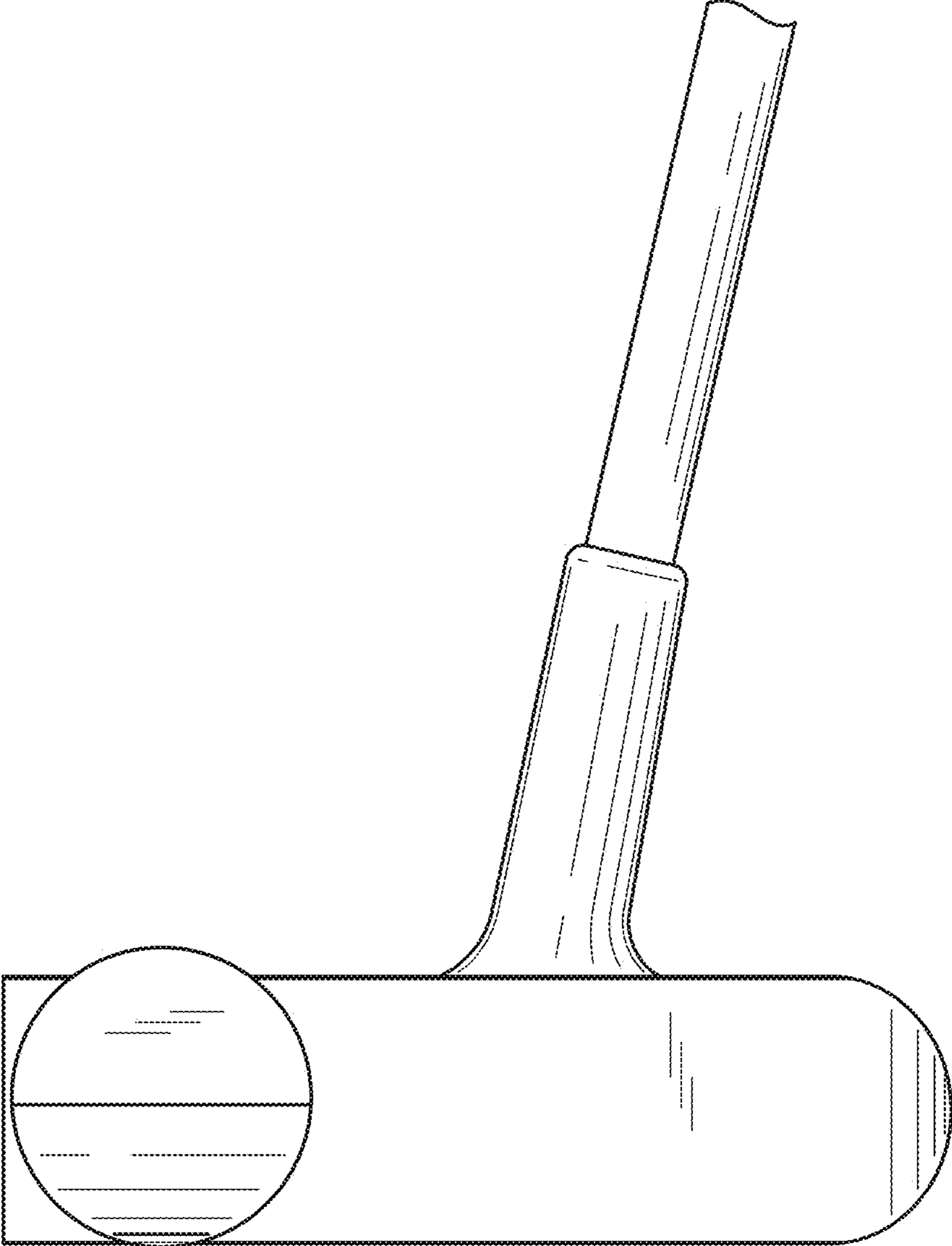


FIG. 1

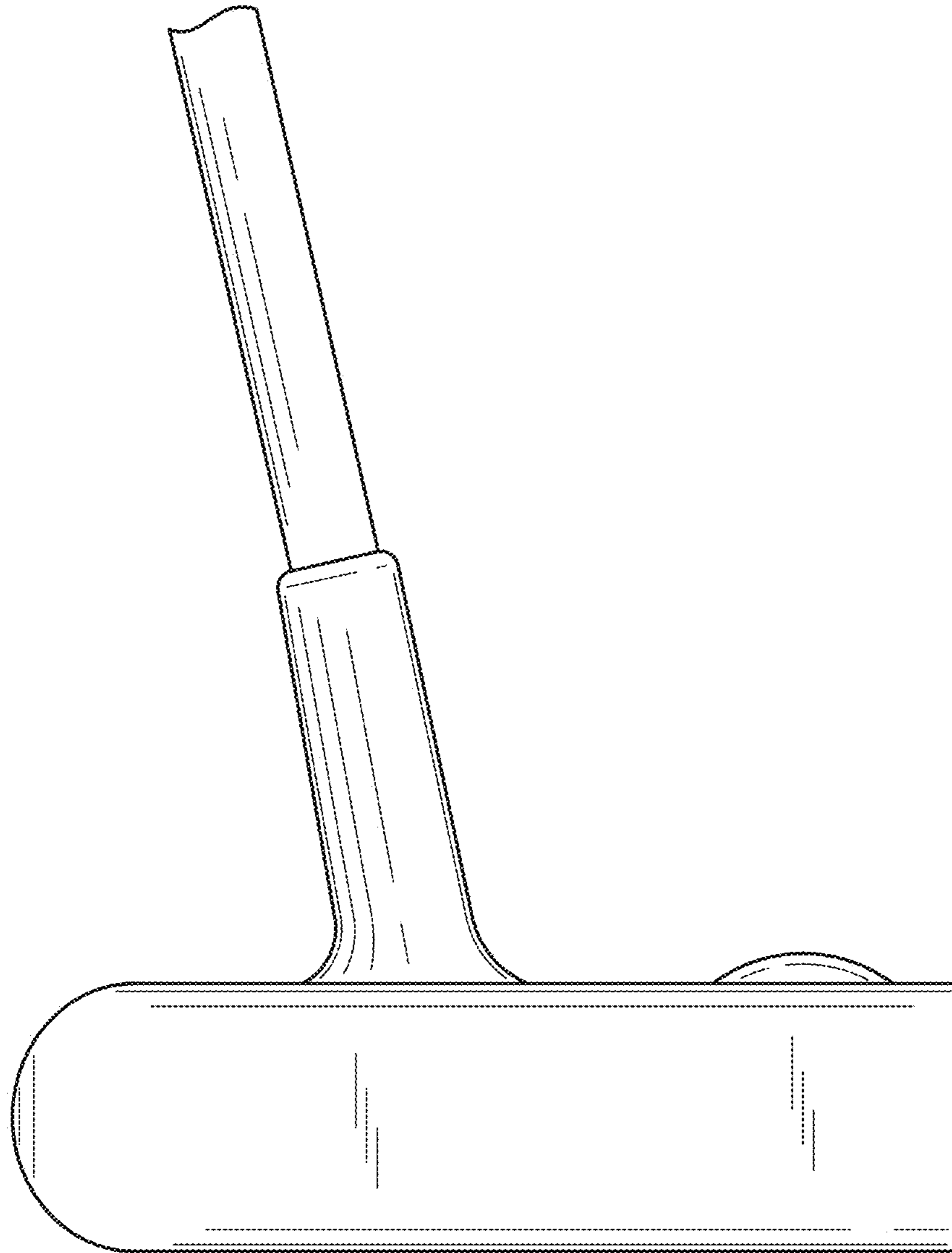


FIG. 2

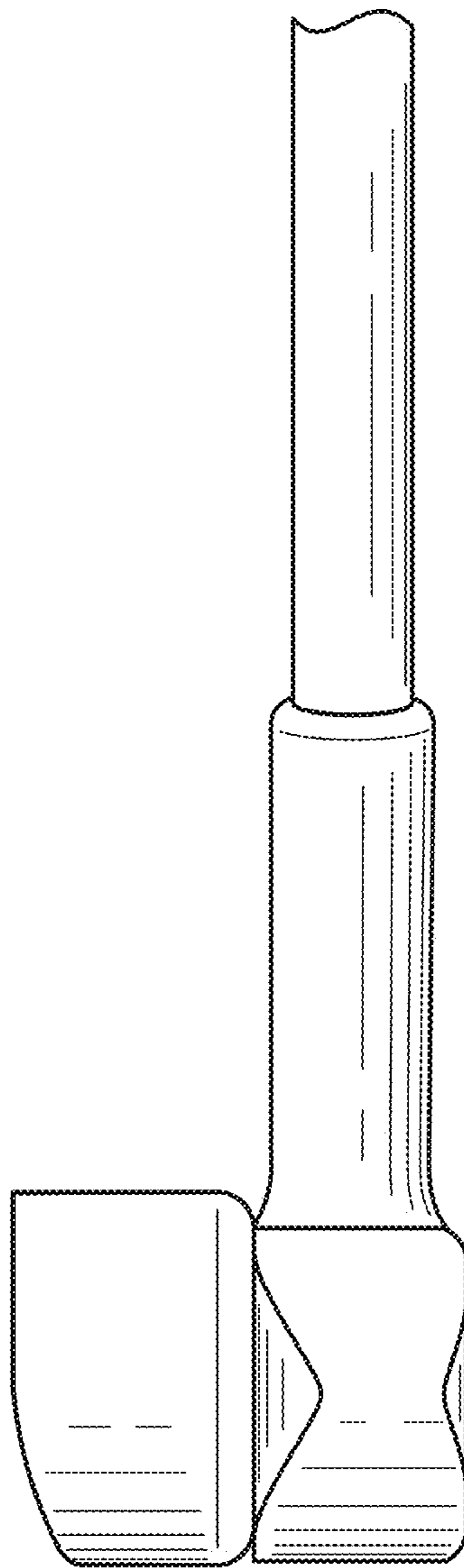


FIG. 3

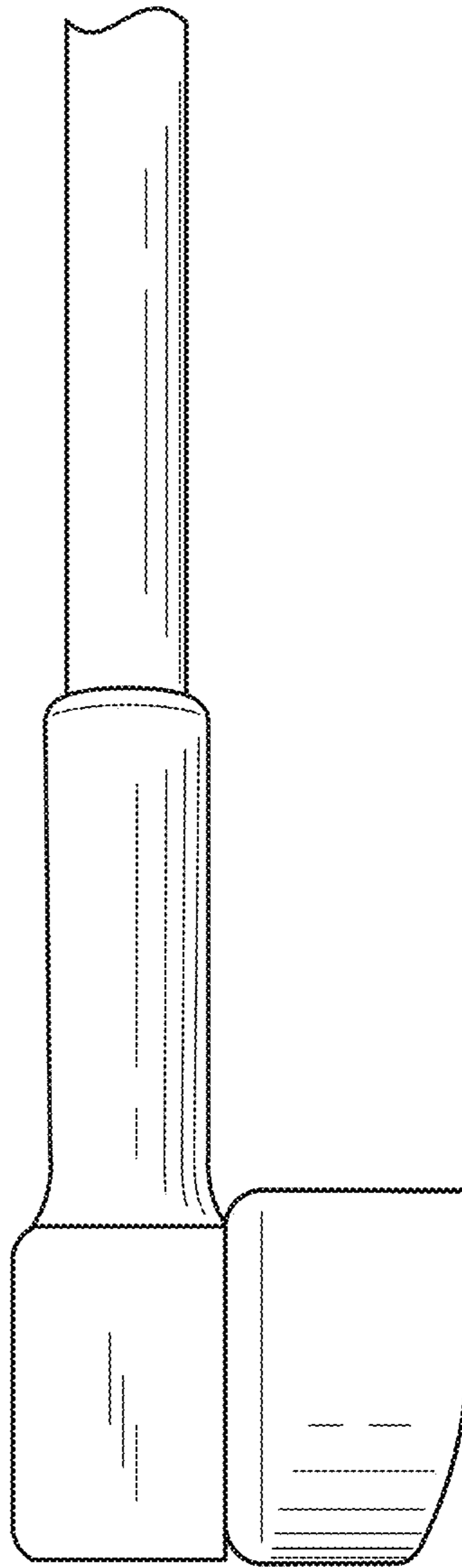


FIG. 4

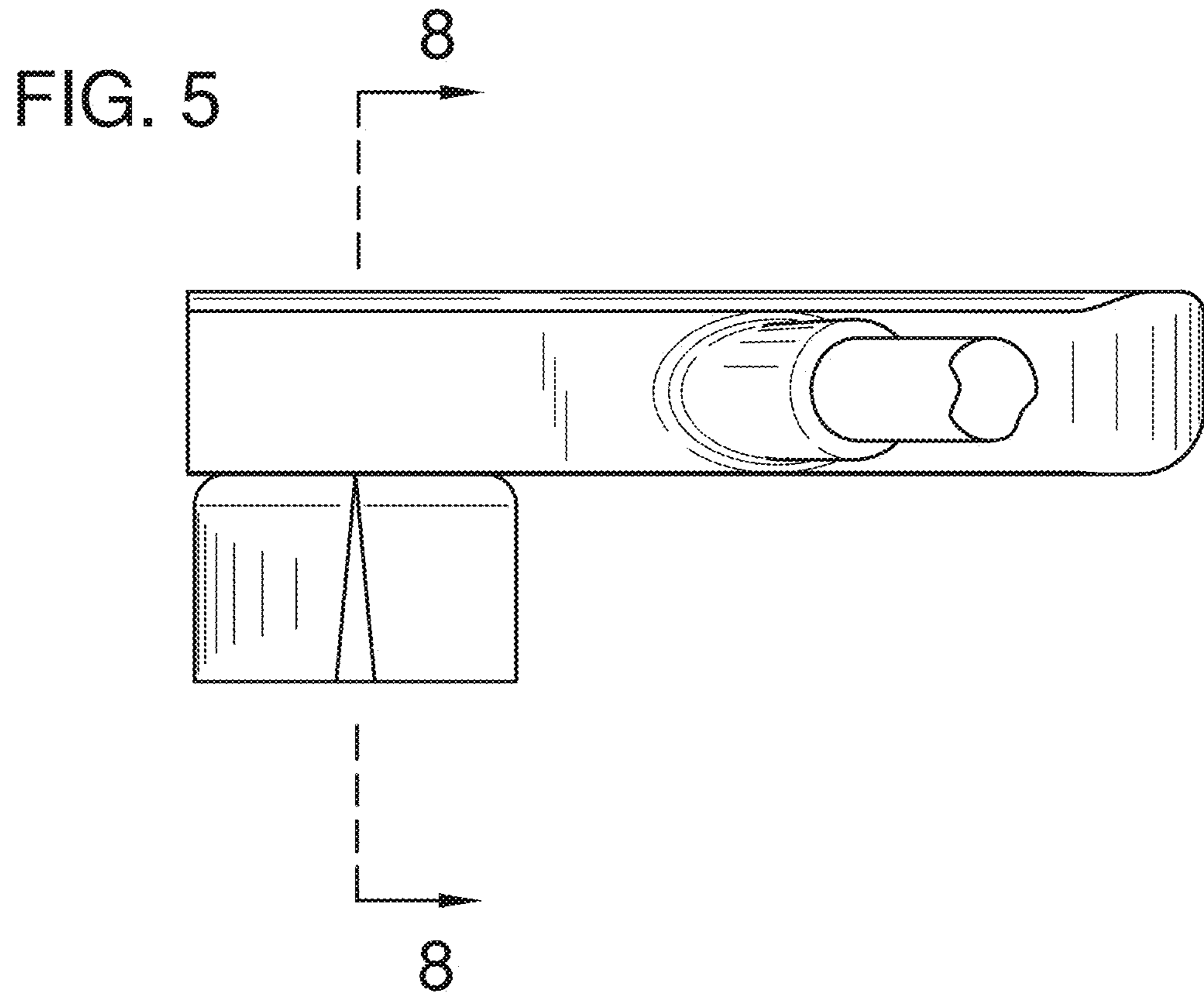


FIG. 6

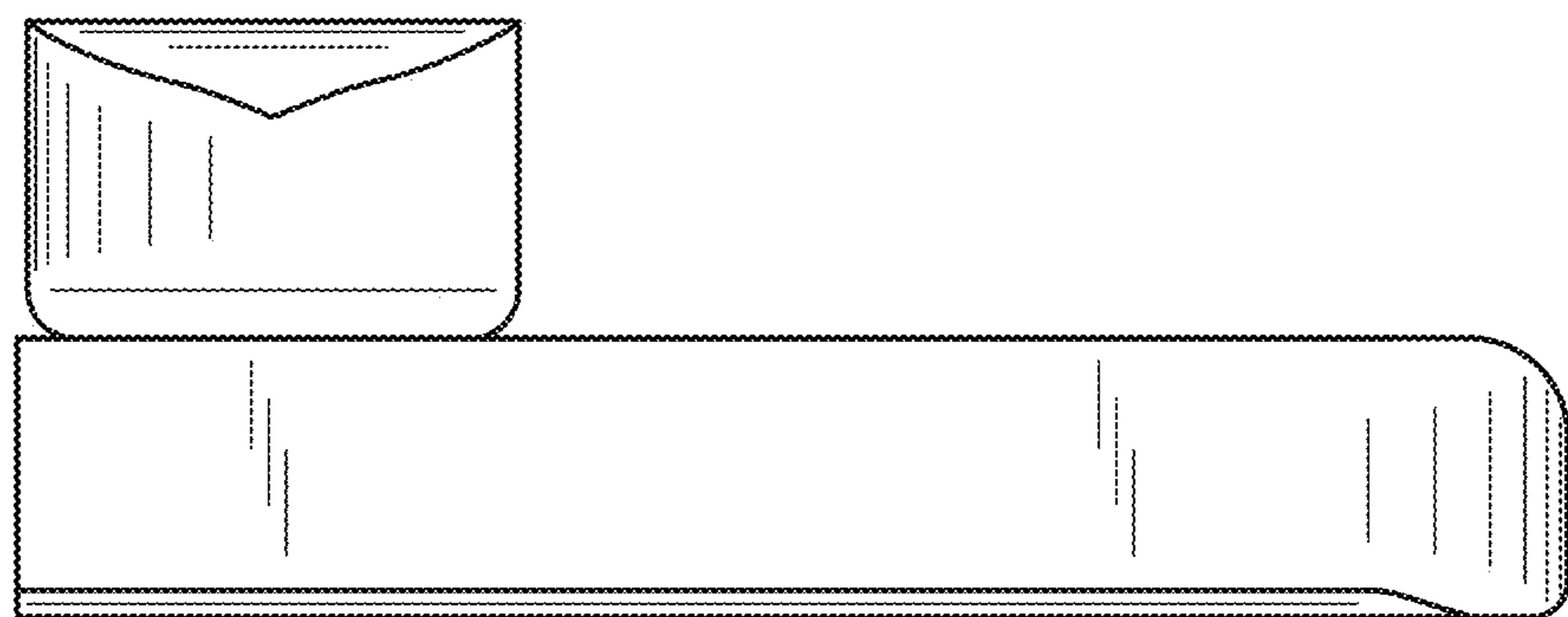
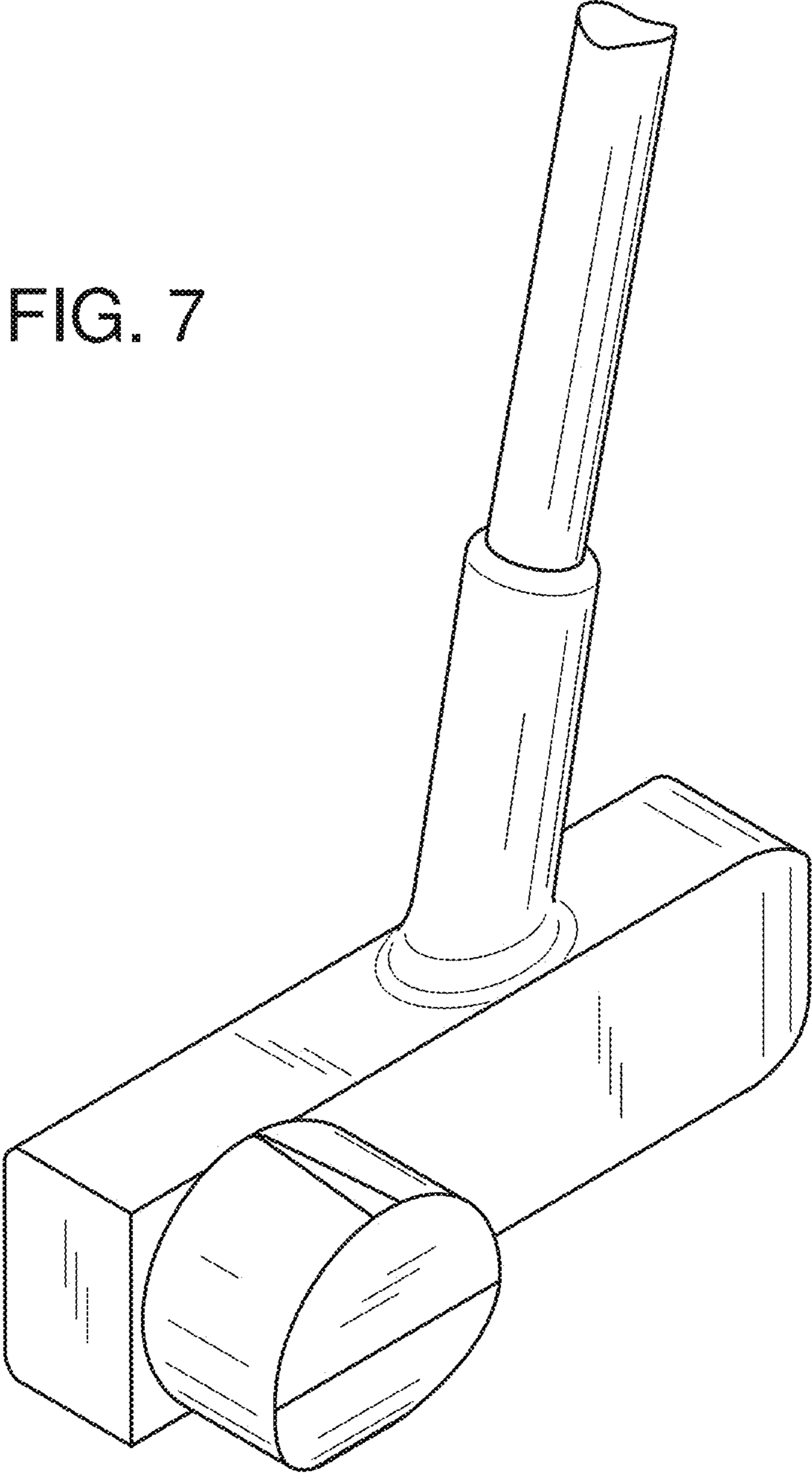


FIG. 7



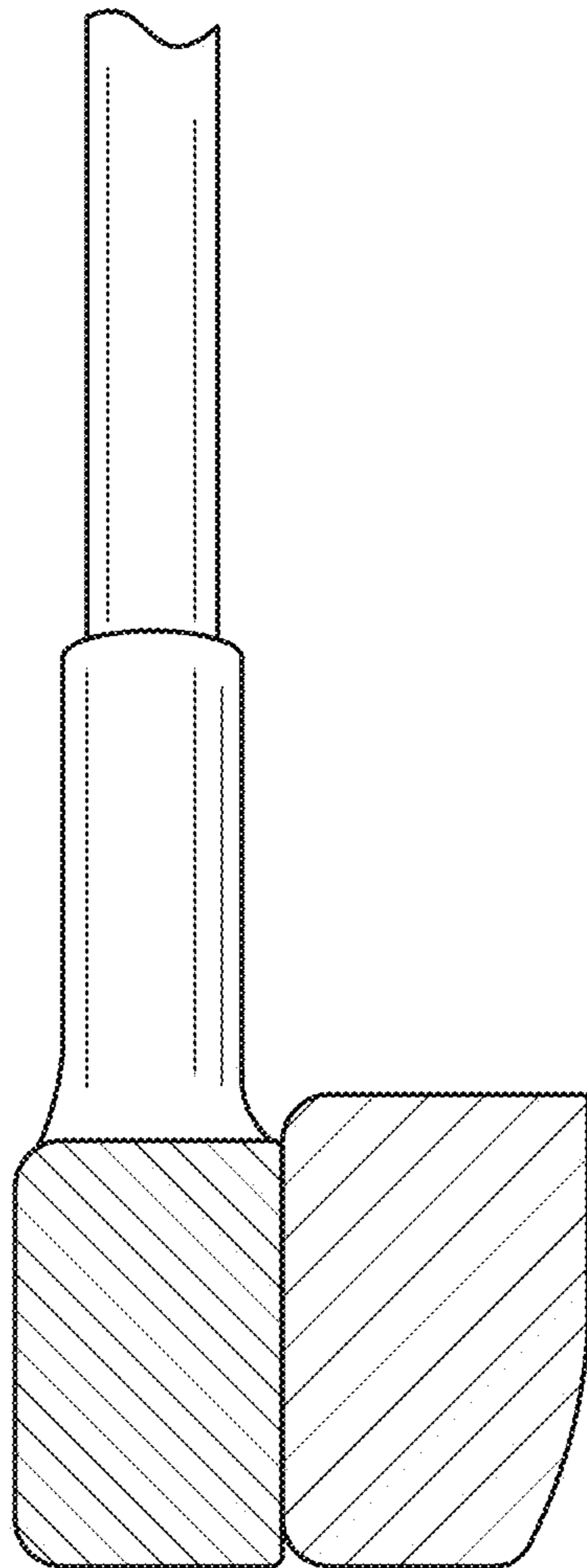


FIG. 8