



US00D901609S

(12) **United States Design Patent** (10) **Patent No.:** **US D901,609 S**  
**Schough** (45) **Date of Patent:** **\*\* Nov. 10, 2020**

(54) **DUMBBELL**  
(71) Applicant: **Eleiko Group AB**, Halmstad (SE)  
(72) Inventor: **Camilla Schough**, Gullbrandstorp (SE)  
(\*\*) Term: **15 Years**  
(21) Appl. No.: **35/507,160**

D624,614 S \* 9/2010 Lien ..... D21/681  
D650,289 S \* 12/2011 Bosiljevac ..... D21/681  
D692,969 S \* 11/2013 Davies, III ..... A63B 21/072  
D21/680  
D692,970 S \* 11/2013 Lien ..... D21/681  
D736,868 S \* 8/2015 Lien ..... D21/681  
D739,482 S \* 9/2015 Lien ..... D21/681  
D740,379 S \* 10/2015 Lien ..... D21/681  
D802,064 S \* 11/2017 Hillson ..... D21/681

(22) Filed: **Feb. 1, 2019**

**FOREIGN PATENT DOCUMENTS**

CN 201330118199 \* 4/2013  
EM 001119028-0001 \* 4/2009  
KR 3020160001325 \* 1/2016  
KR 3020170026386 \* 6/2017

(80) **Hague Agreement Data**

Int. Filing Date: **Feb. 1, 2019**  
Int. Reg. No.: **DM/201401**  
Int. Reg. Date: **Feb. 1, 2019**  
Int. Reg. Pub. Date: **Aug. 2, 2019**

\* cited by examiner

*Primary Examiner* — George D. Kirschbaum  
*Assistant Examiner* — Joseph J Kukella  
(74) *Attorney, Agent, or Firm* — Tucker Ellis LLP

(51) **LOC (12) Cl.** ..... **21-02**  
(52) **U.S. Cl.**  
USPC ..... **D21/681**  
(58) **Field of Classification Search**  
USPC ..... D21/662, 680–685  
CPC ..... A63B 21/072; A63B 21/0726  
See application file for complete search history.

(57) **CLAIM**

The ornamental design for a dumbbell, as shown and described.

**DESCRIPTION**

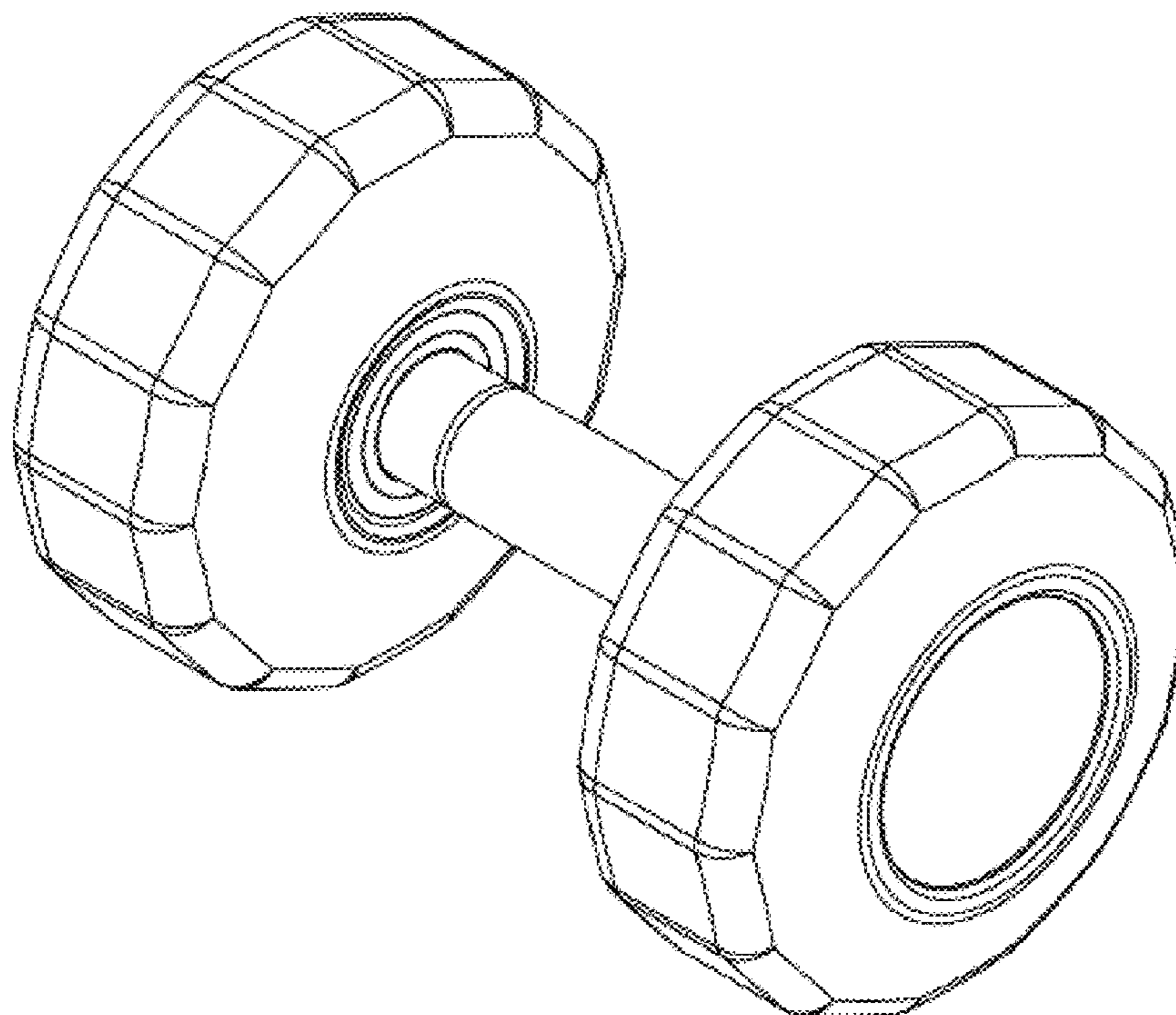
(56) **References Cited**

**U.S. PATENT DOCUMENTS**

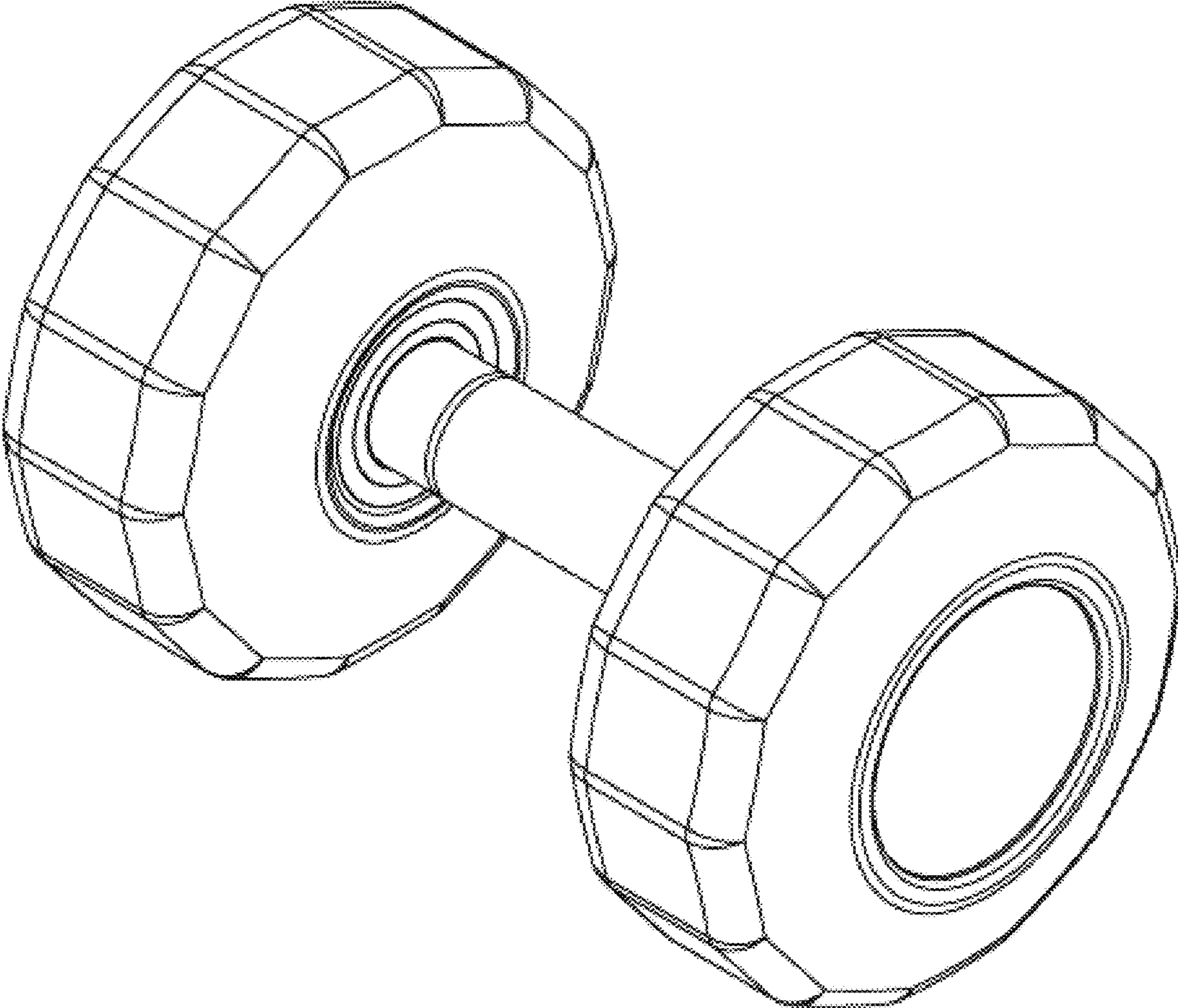
D409,266 S \* 5/1999 Rojas ..... D21/680  
D496,414 S \* 9/2004 Harms ..... D21/681  
D504,923 S \* 5/2005 Harms ..... D21/681  
D545,927 S \* 7/2007 Lien ..... D21/681  
D574,450 S \* 8/2008 Januszek ..... A63B 21/072  
D21/681  
D597,612 S \* 8/2009 Lien ..... D21/681

1. Dumbbell  
FIG. 1.1 is a front, top, left side perspective view of a dumbbell showing my new design;  
FIG. 1.2 is a front view thereof;  
FIG. 1.3 is a front, top, right side perspective view thereof;  
FIG. 1.4 is a front, bottom, left side perspective view thereof; and  
FIG. 1.5 is a left side view thereof.

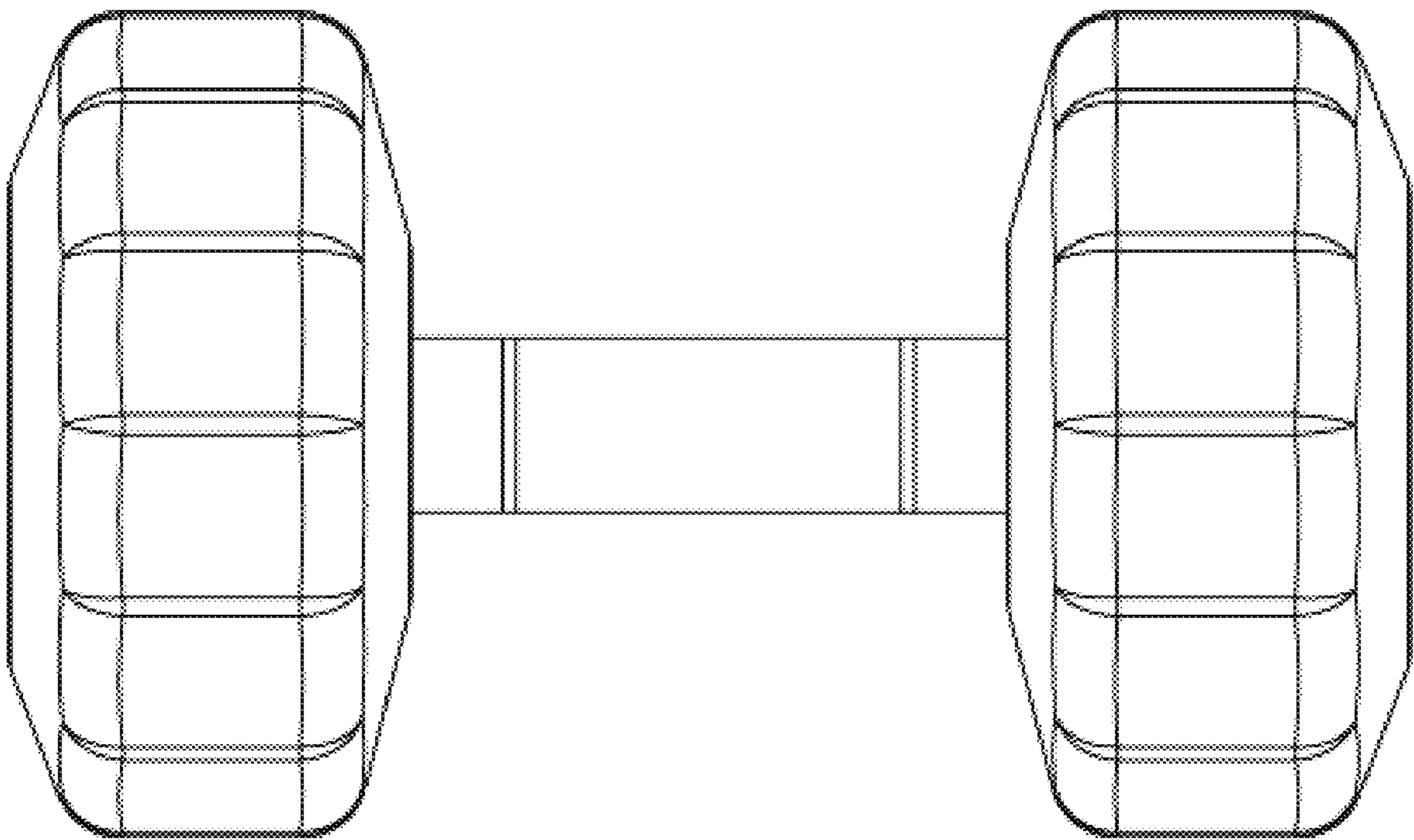
**1 Claim, 5 Drawing Sheets**



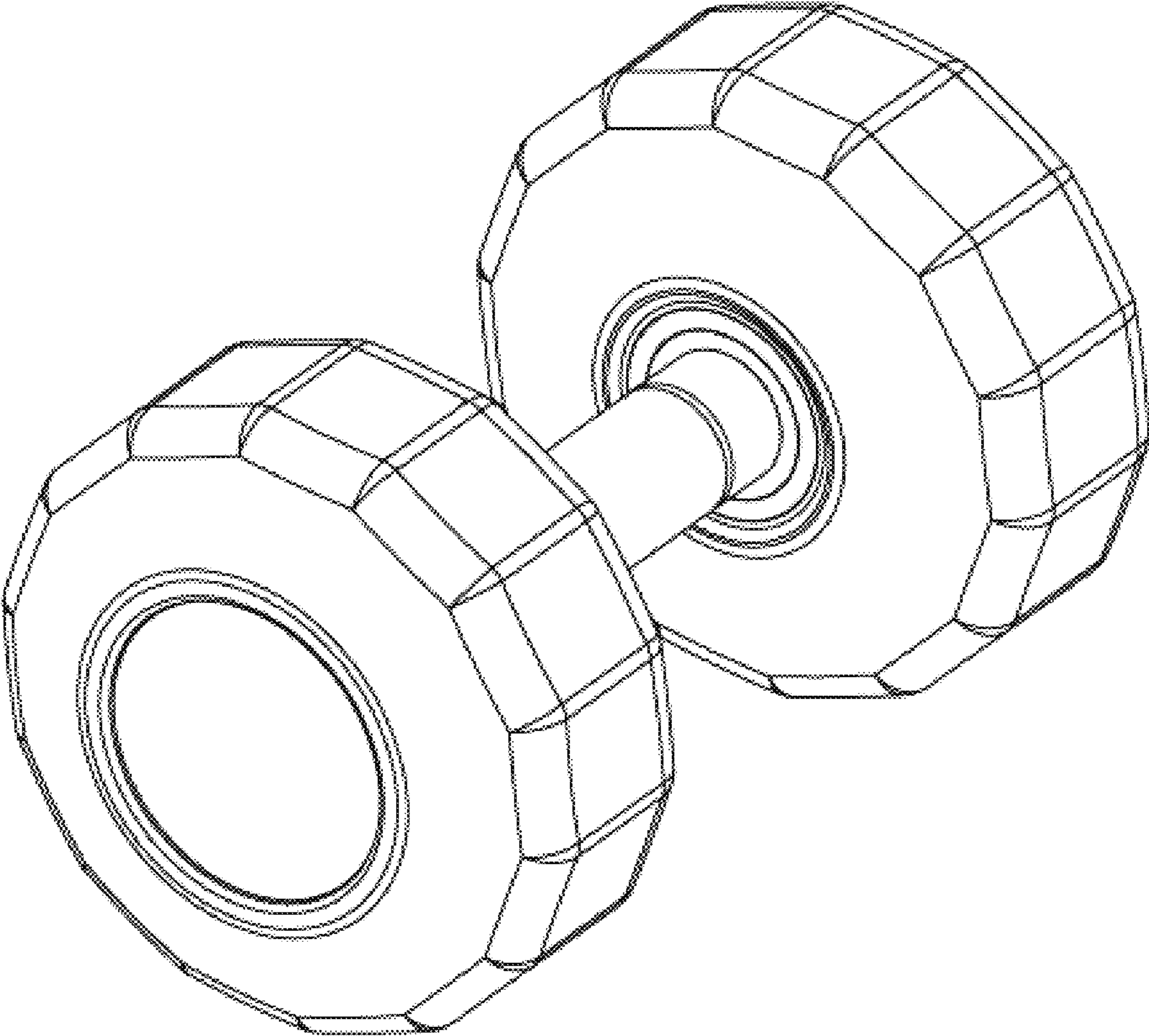
**1.1**



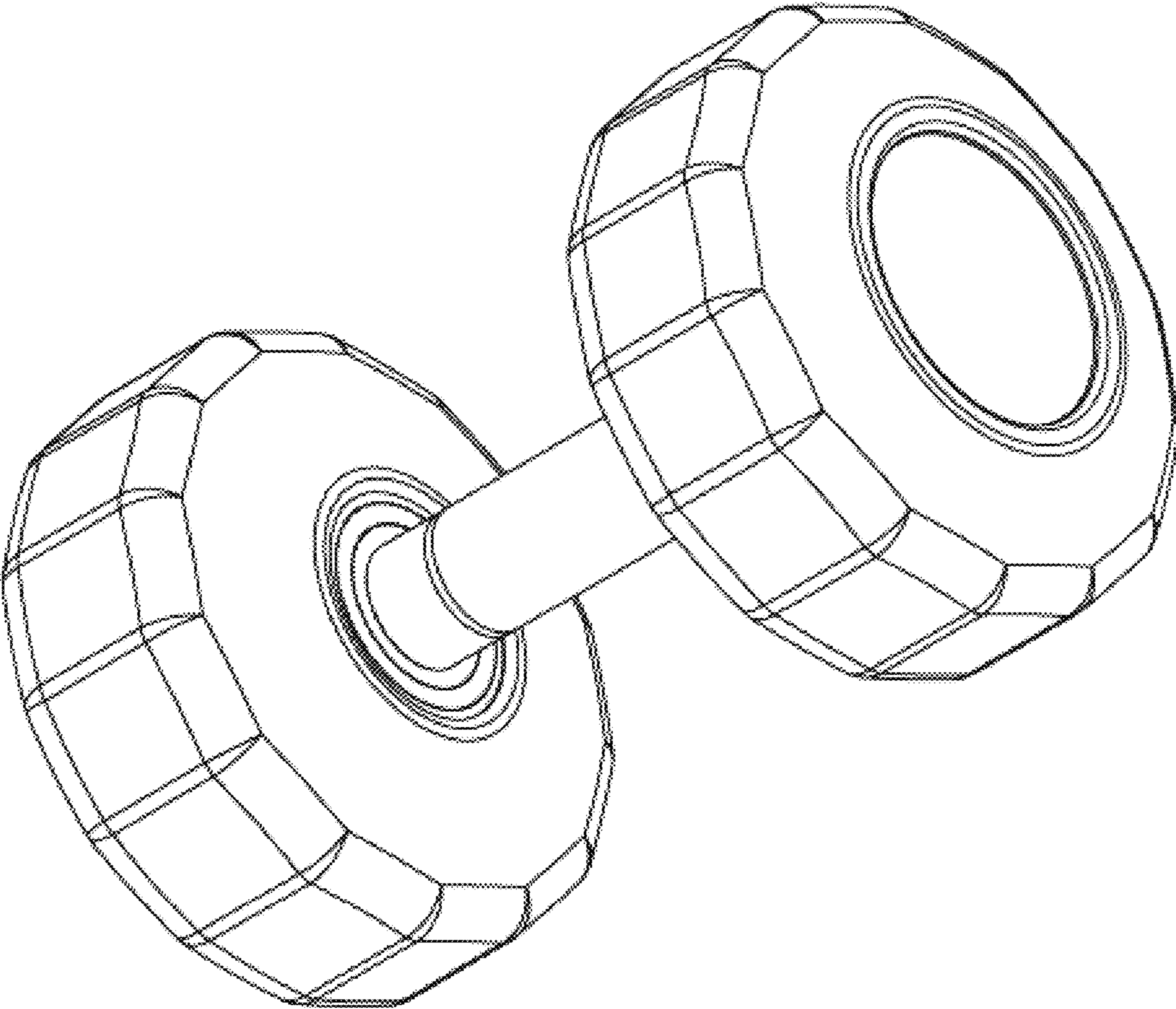
# 1.2



# 1.3



1.4



**1.5**

