

US00D901606S

(12) **United States Design Patent**
Jenks

(10) **Patent No.:** **US D901,606 S**

(45) **Date of Patent:** **** Nov. 10, 2020**

(54) **TOY EXCAVATOR**

(71) Applicant: **Gary Marvin Jenks**, Canby, OR (US)

(72) Inventor: **Gary Marvin Jenks**, Canby, OR (US)

(**) Term: **15 Years**

(21) Appl. No.: **29/651,603**

(22) Filed: **Oct. 15, 2018**

Related U.S. Application Data

(62) Division of application No. 29/620,325, filed on Oct. 17, 2016, now Pat. No. Des. 834,109.

(51) **LOC (12) Cl.** **21-01**

(52) **U.S. Cl.**

USPC **D21/537**

(58) **Field of Classification Search**

USPC D21/519–522, 523–524, 528, 530, 532,
D21/586, 814, 816, 820, 827, 615, 611,
D21/582, 447, 405, 409; D6/707, 707.22;
D23/272

CPC A47C 31/11; A47C 13/00; A47C 7/62;
A63H 33/3055; A63H 33/30; A63H
33/003; A63H 5/00; A47D 11/00

See application file for complete search history.

(56) **References Cited**

U.S. PATENT DOCUMENTS

- 1,827,541 A * 10/1931 Opperman A63H 33/3044
414/694
- 1,931,734 A * 10/1933 Levy A63H 17/12
446/426
- D159,948 S * 9/1950 Betts D21/528
- D215,166 S * 9/1969 Richardson D21/419
- D228,358 S * 9/1973 Wormser et al. D21/833
- 4,275,902 A * 6/1981 Teja B66C 23/78
212/304
- D267,100 S * 11/1982 Magnusson D21/431

- D276,355 S * 11/1984 Sjolholm D21/419
- D280,431 S * 9/1985 Tapdrup D21/495
- D359,769 S * 6/1995 Goncalves D21/537
- D384,997 S * 10/1997 Digges D21/431
- D682,887 S * 5/2013 Iwata D15/25
- D767,690 S * 9/2016 Ewringmann D21/431
- D811,491 S * 2/2018 Lee D21/528
- 9,995,017 B1 * 6/2018 Howell E02F 3/435
- D834,109 S * 11/2018 Jenks D21/537

FOREIGN PATENT DOCUMENTS

CN 303970512 * 12/2016

OTHER PUBLICATIONS

The Big Dig—Fat Brain Toys reviews 2014, https://www.fatbraintoy.com/toy_companies/reeves_international/the_big_dig.cfm?country=US . . . site visited Dec. 5, 2019.*

* cited by examiner

Primary Examiner — John R Yeh

(57)

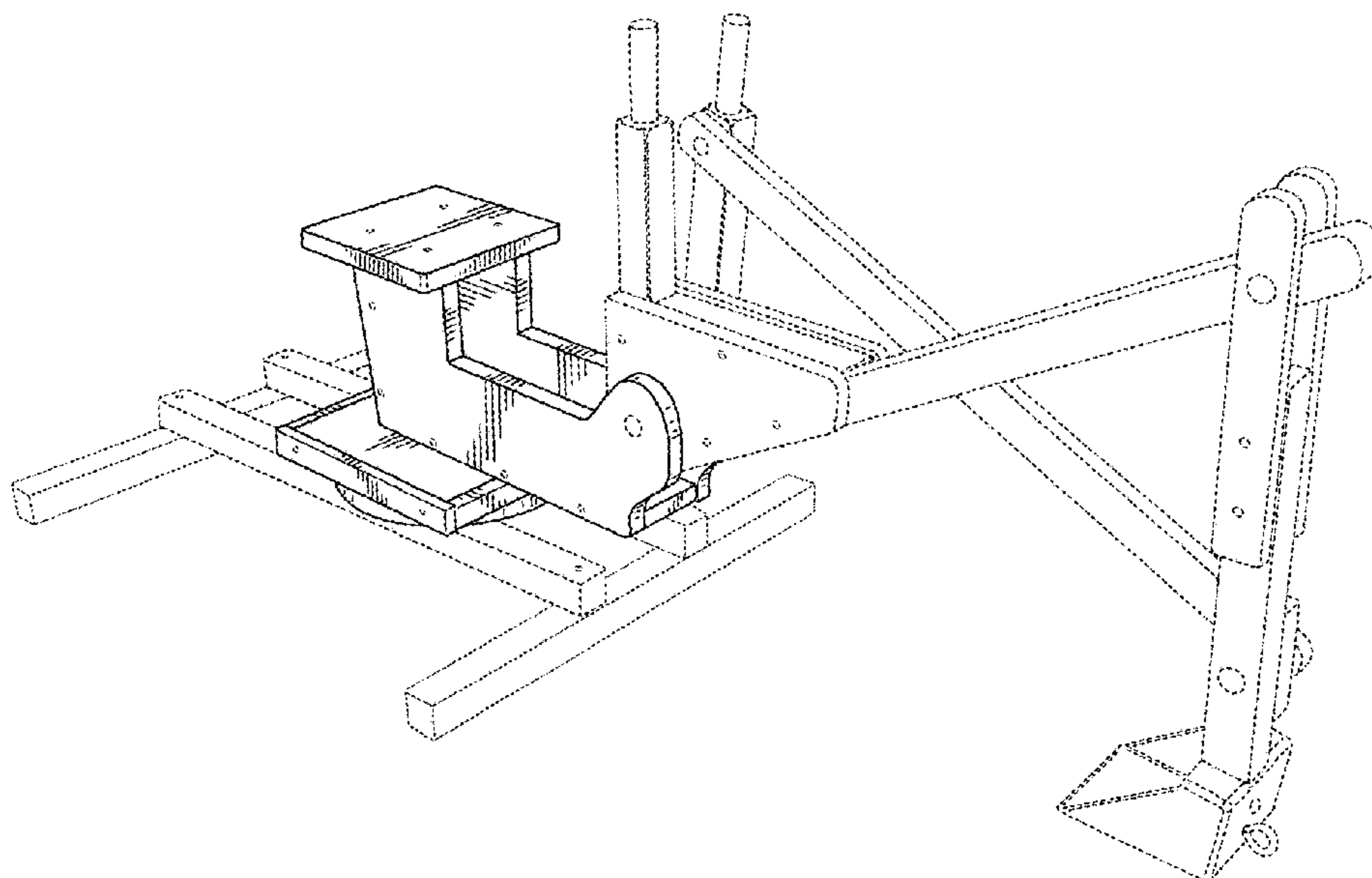
CLAIM

I claim the ornamental design for a toy excavator, as shown and described.

DESCRIPTION

FIG. 1 is a right front elevation view of a toy excavator showing my new design;
 FIG. 2 is a front elevation view thereof;
 FIG. 3 is a rear elevation view thereof;
 FIG. 4 is a right side elevation view thereof;
 FIG. 5 is a left side elevation view thereof;
 FIG. 6 is a top plan view thereof; and,
 FIG. 7 is a bottom plan view thereof.
 The broken lines in the figures depict portions of the toy excavator that form no part of the claimed design.

1 Claim, 7 Drawing Sheets



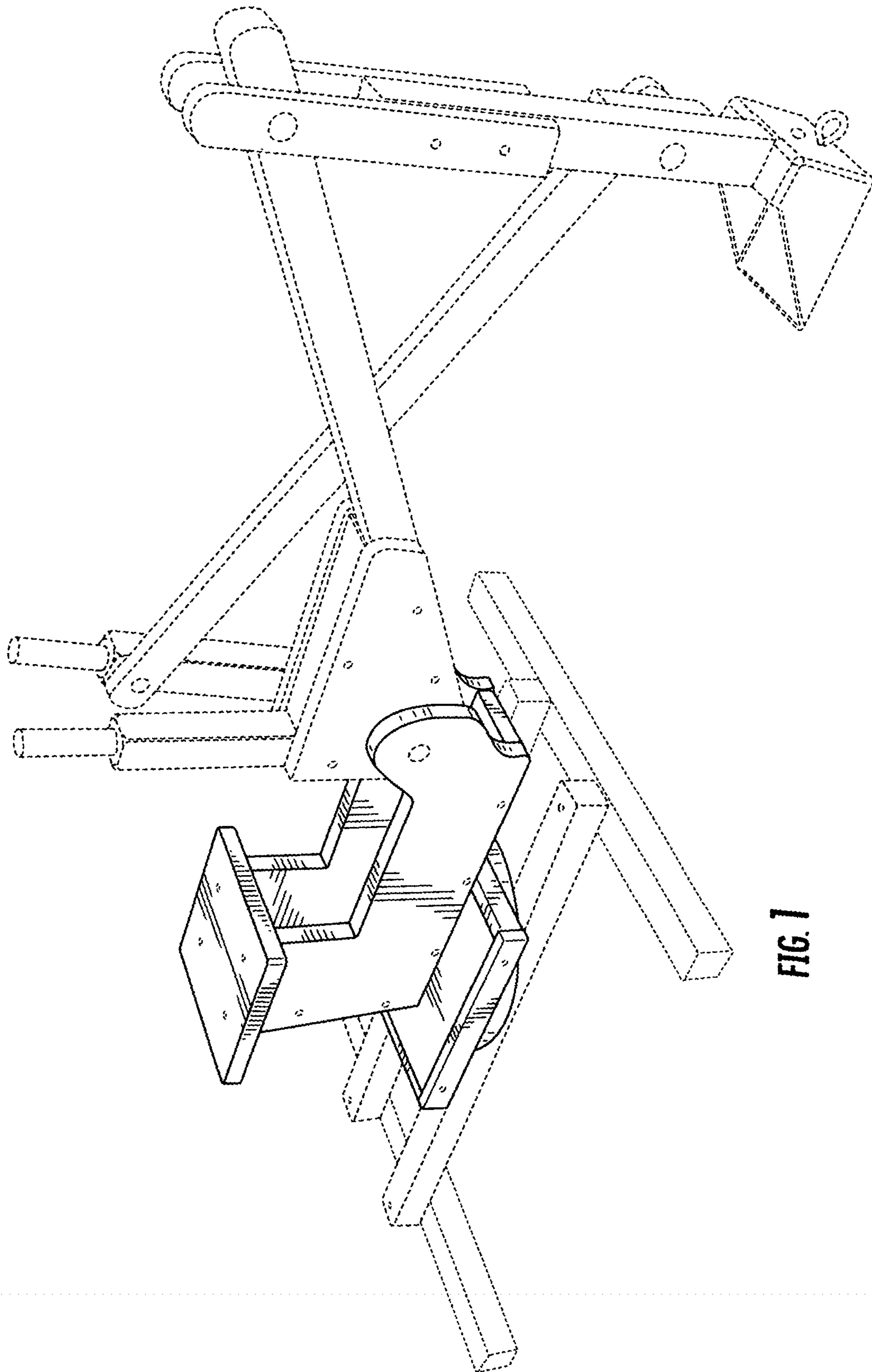


FIG. 1

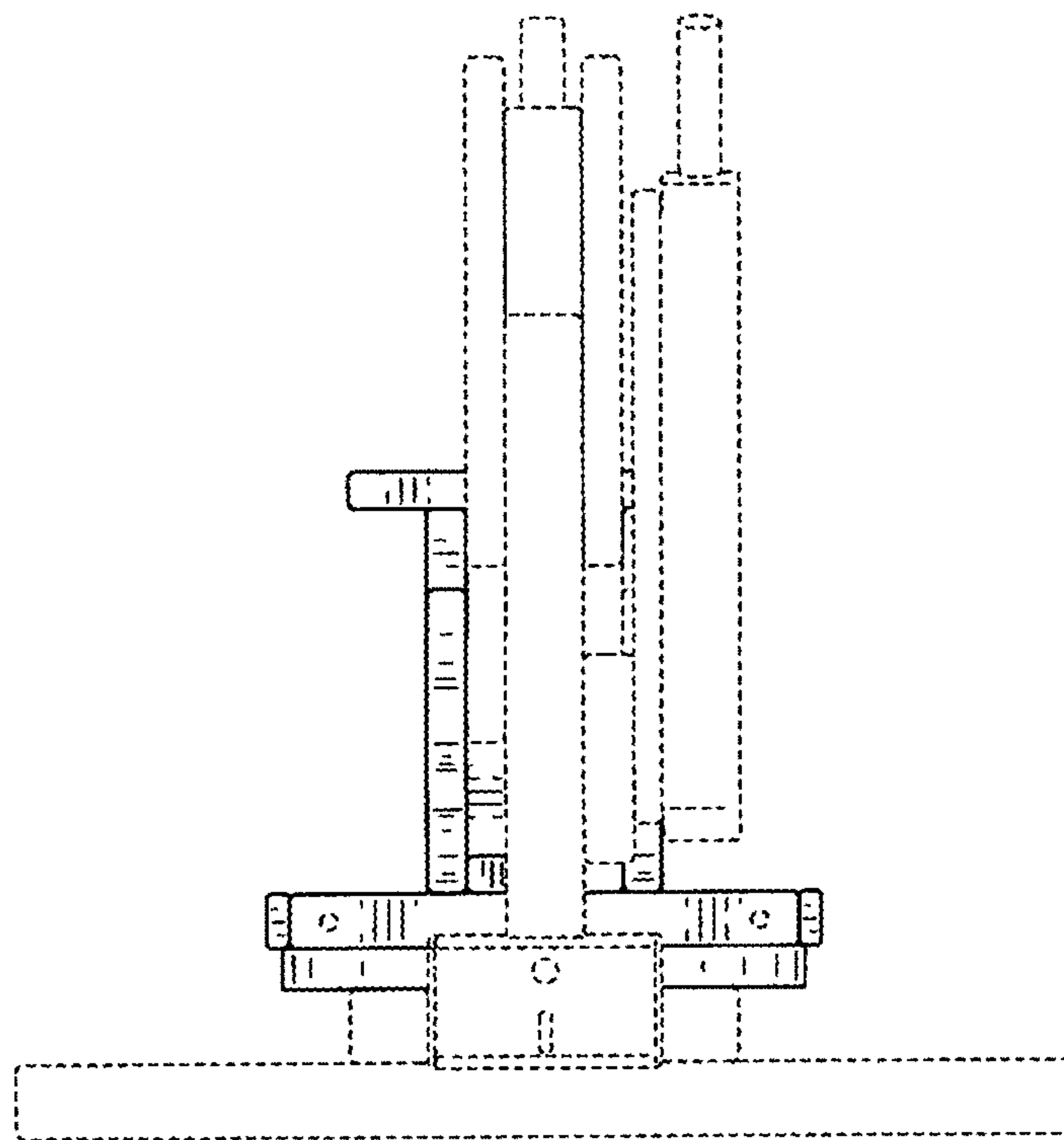


FIG. 2

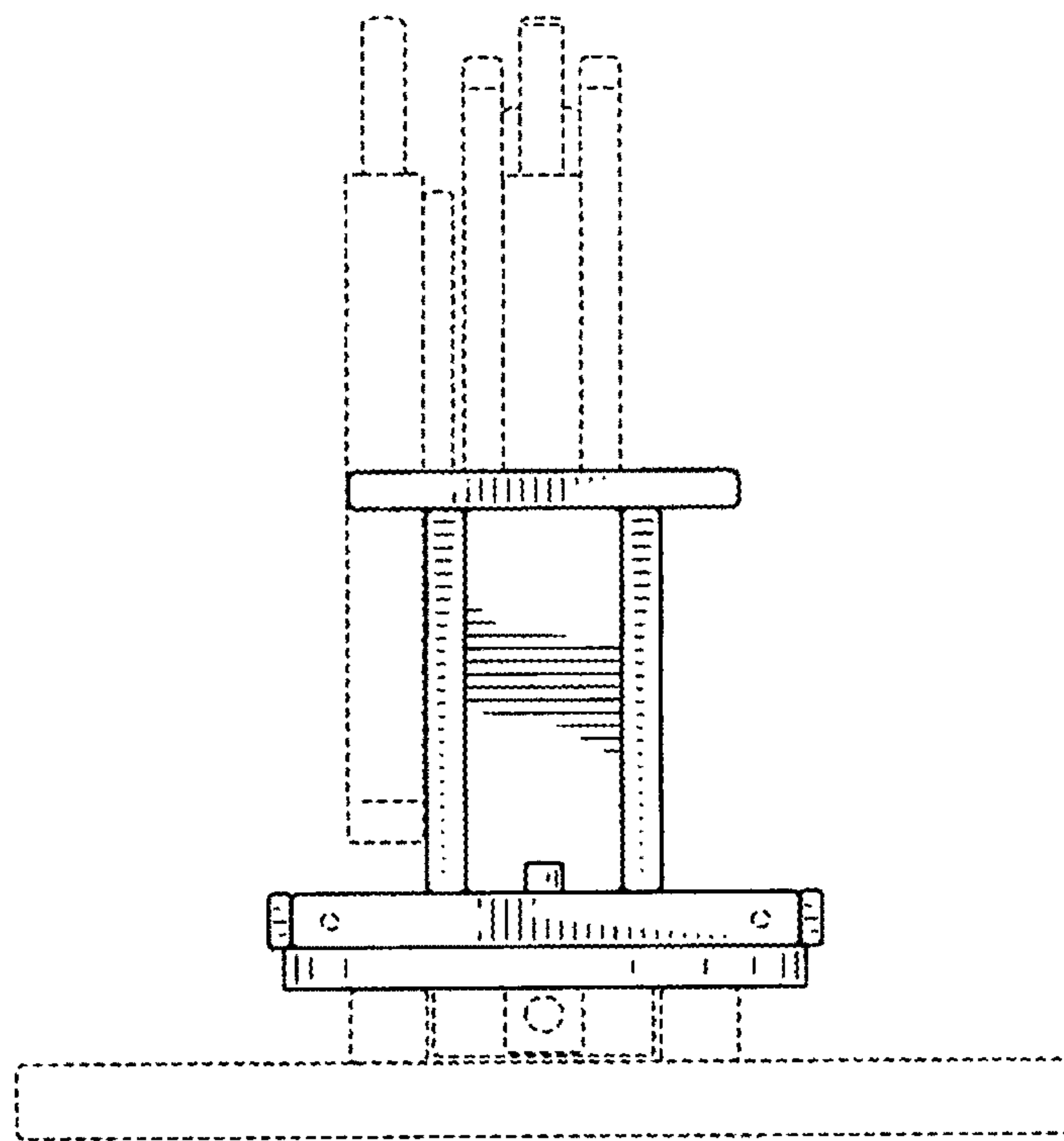


FIG. 3

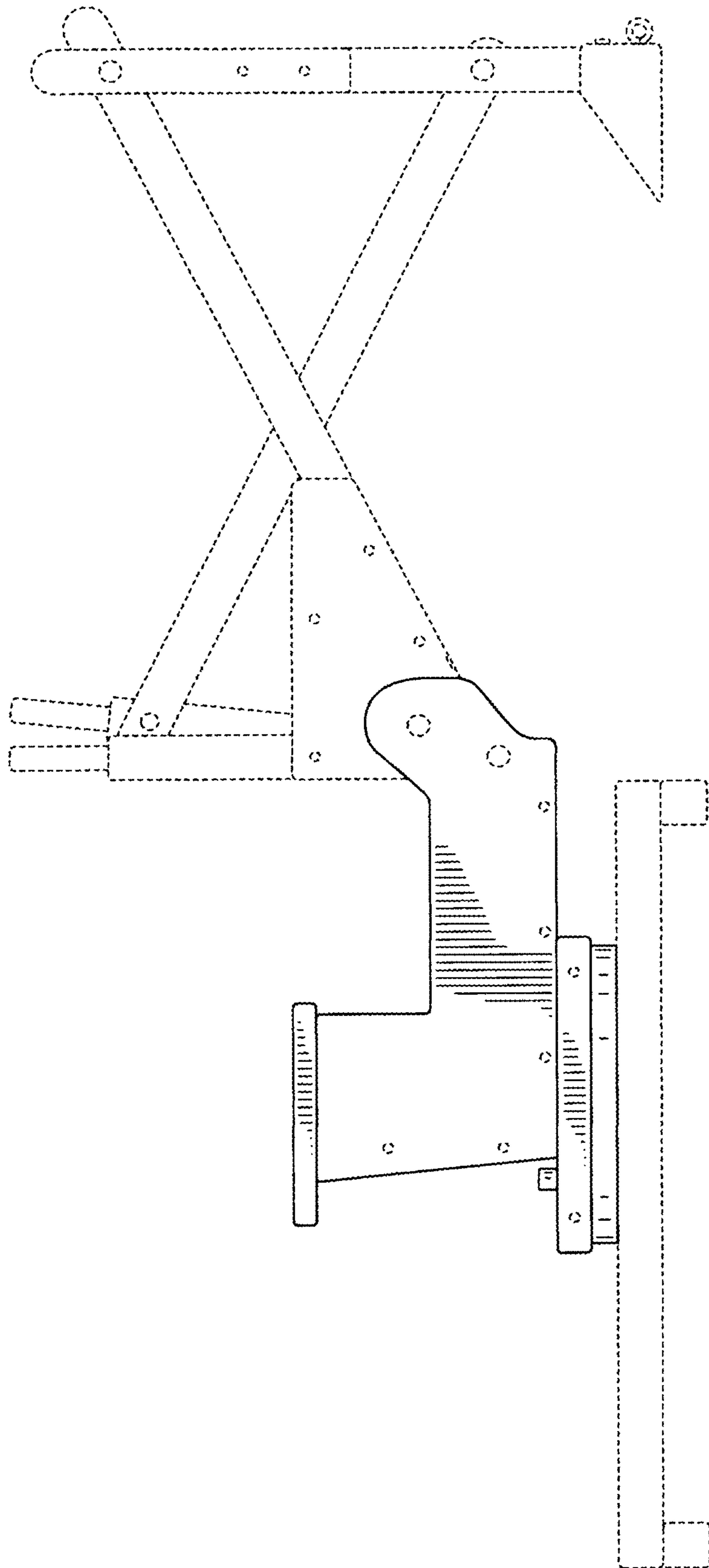
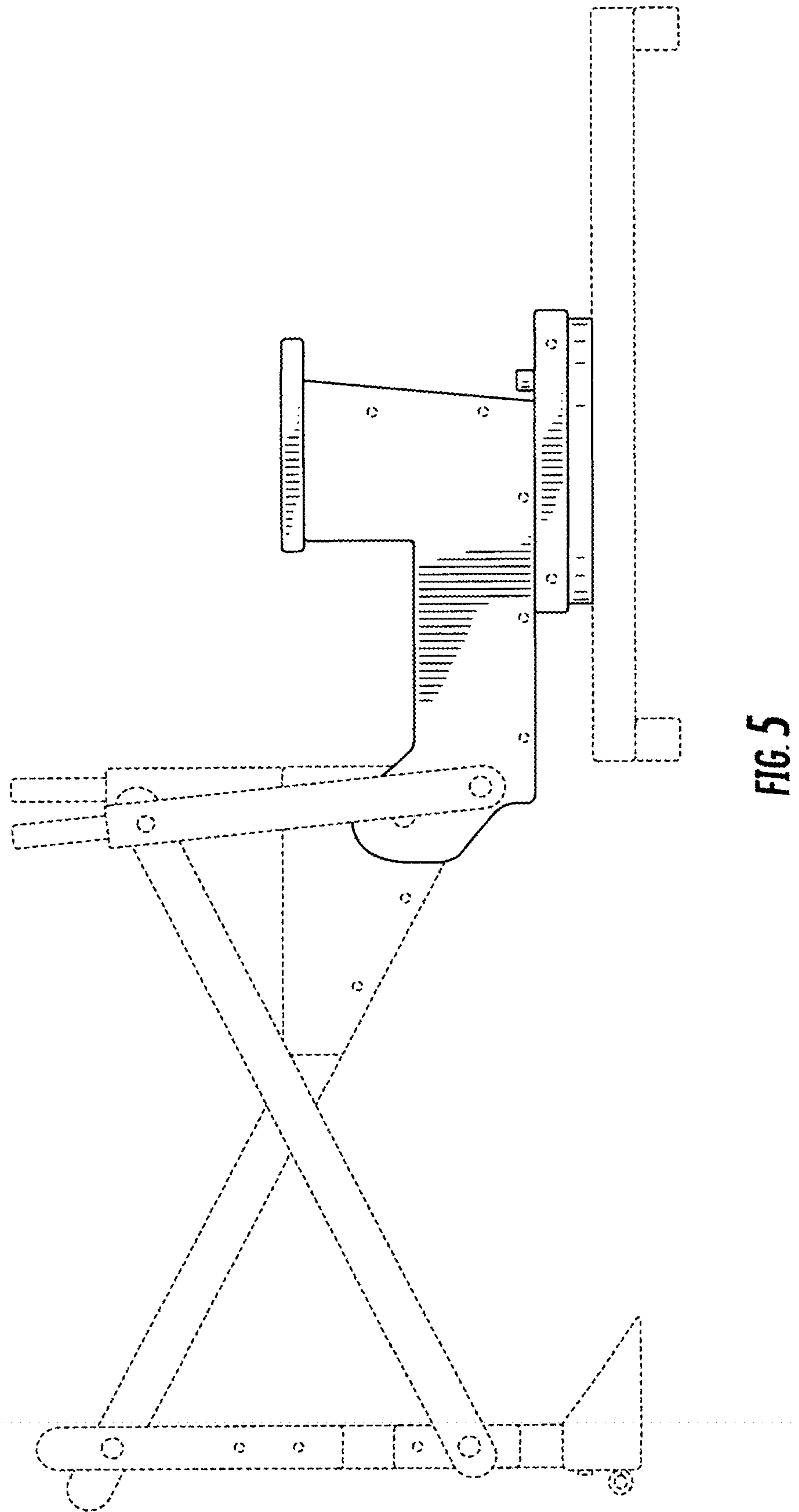


FIG. 4



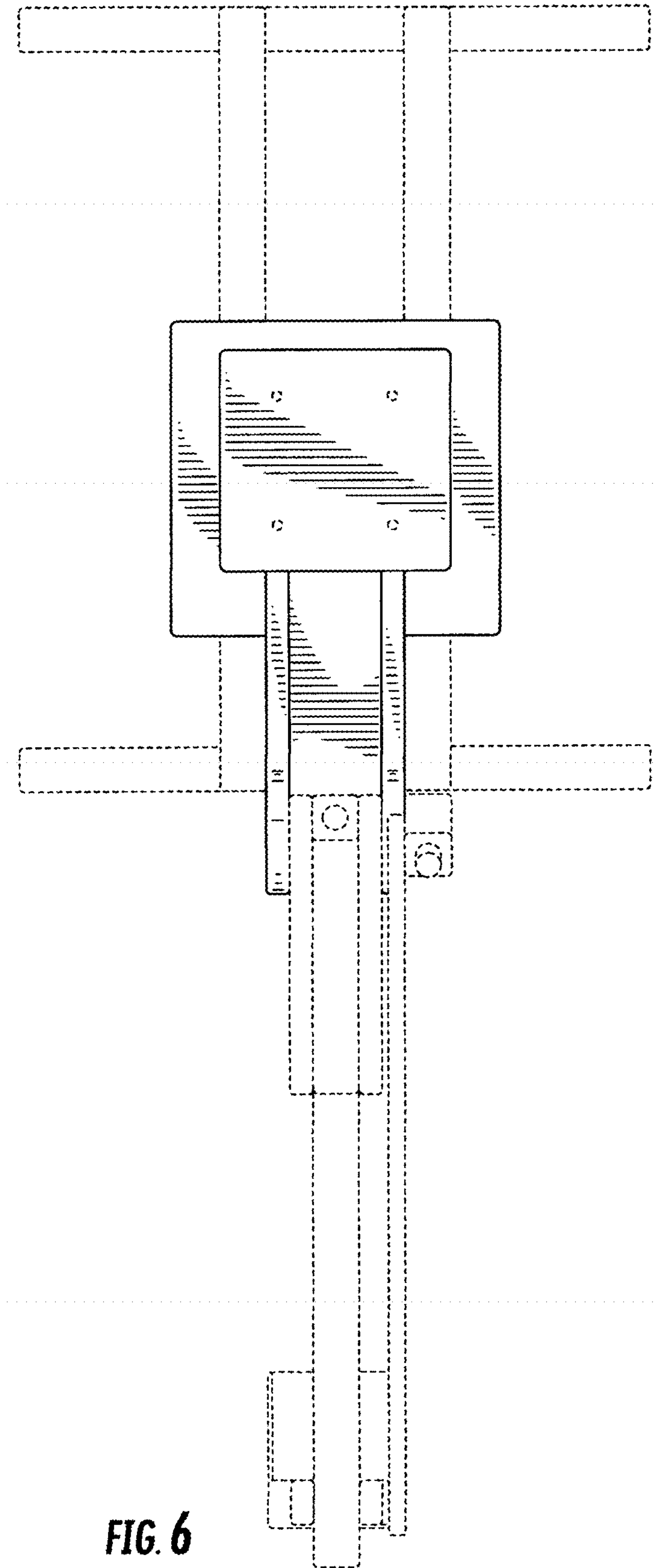


FIG. 6

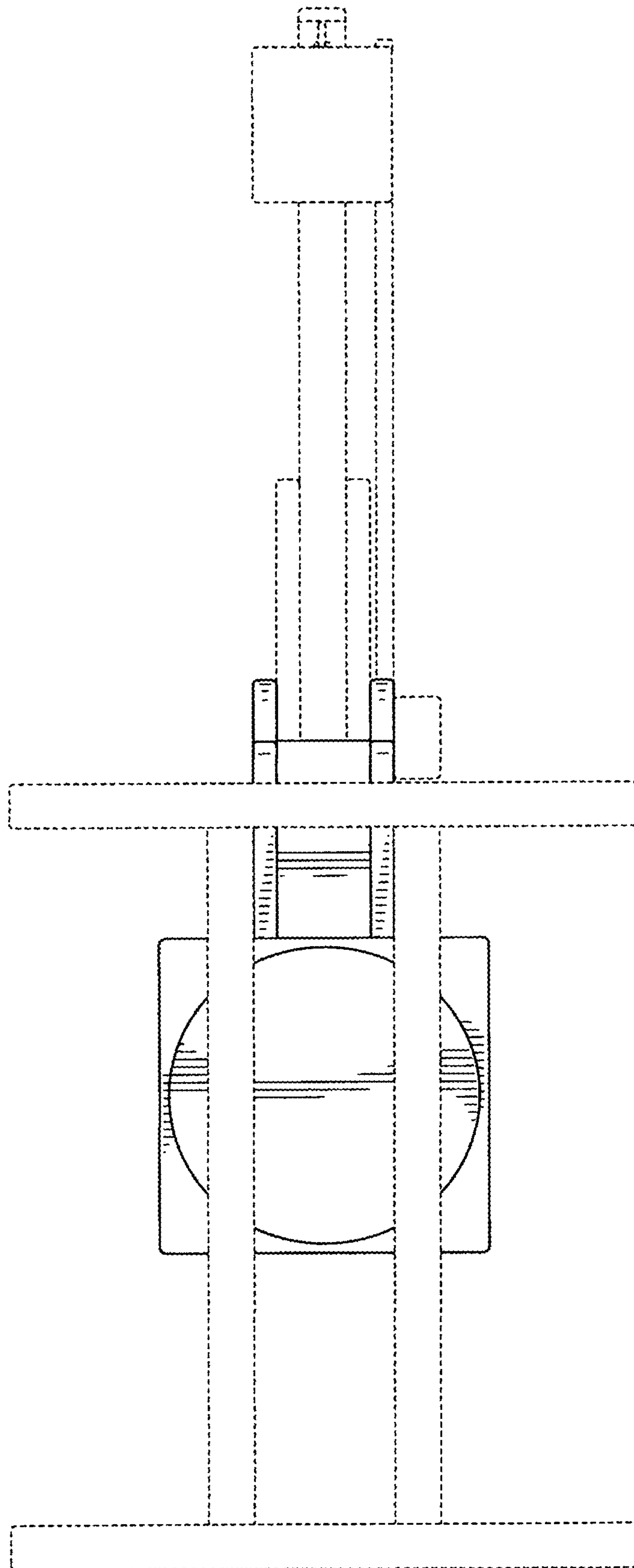


FIG. 7