



US00D901602S

(12) **United States Design Patent**
Matsuyama

(10) **Patent No.:** **US D901,602 S**

(45) **Date of Patent:** **** Nov. 10, 2020**

(54) **TOY ROPEWAY**

(71) Applicant: **EPOCH COMPANY LTD**, Tokyo (JP)

(72) Inventor: **Daisuke Matsuyama**, Tokyo (JP)

(73) Assignee: **EPOCH COMPANY, LTD.**, Tokyo (JP)

(**) Term: **15 Years**

(21) Appl. No.: **29/689,505**

(22) Filed: **Apr. 30, 2019**

(30) **Foreign Application Priority Data**

Nov. 2, 2018 (JP) 2018-024144

(51) **LOC (12) Cl.** **21-01**

(52) **U.S. Cl.**
USPC **D21/507**; D21/530

(58) **Field of Classification Search**
USPC D21/506-511, 530, 820, 825, 827, 831;
D30/111, 112, 160
CPC A63H 3/52; A63H 33/00; A63H 33/008;
A63H 33/044
See application file for complete search history.

(56) **References Cited**

U.S. PATENT DOCUMENTS

4,161,081 A * 7/1979 Katzman A63H 33/00
446/314
D254,678 S * 4/1980 Holden D21/507
D258,745 S * 3/1981 Pavone D21/507

D287,740 S * 1/1987 Orenstein D21/507
D327,922 S * 7/1992 Terrazas D21/507
D353,434 S * 12/1994 Gilman D11/118
D359,772 S * 6/1995 Culliton D21/530
5,722,874 A * 3/1998 Horton A63H 3/52
446/476
D427,249 S * 6/2000 Dove D21/507
D678,960 S * 3/2013 Tamura D21/507

* cited by examiner

Primary Examiner — Cynthia M. Chin

(74) *Attorney, Agent, or Firm* — Fitzgerald IP Law; John K Fitzgerald, Esq.

(57) **CLAIM**

The ornamental design for a toy ropeway, as shown and described.

DESCRIPTION

FIG. 1 is a perspective view of portions of the front, top, and right side of a toy ropeway showing my new design; FIG. 2 is a perspective view of portions of the rear, top, and left side of a toy ropeway showing my new design; FIG. 3 is a front view thereof; FIG. 4 is a rear view thereof; FIG. 5 is a top view thereof; FIG. 6 is a right view thereof; FIG. 7 is a left view thereof; and, FIG. 8 is a perspective view of portions of the front, top, and right side of a toy ropeway showing my new design with optional features drawn in broken lines. The broken lines shown are included for the purpose of illustrating portions of the article which form no part of the claimed design.

1 Claim, 8 Drawing Sheets

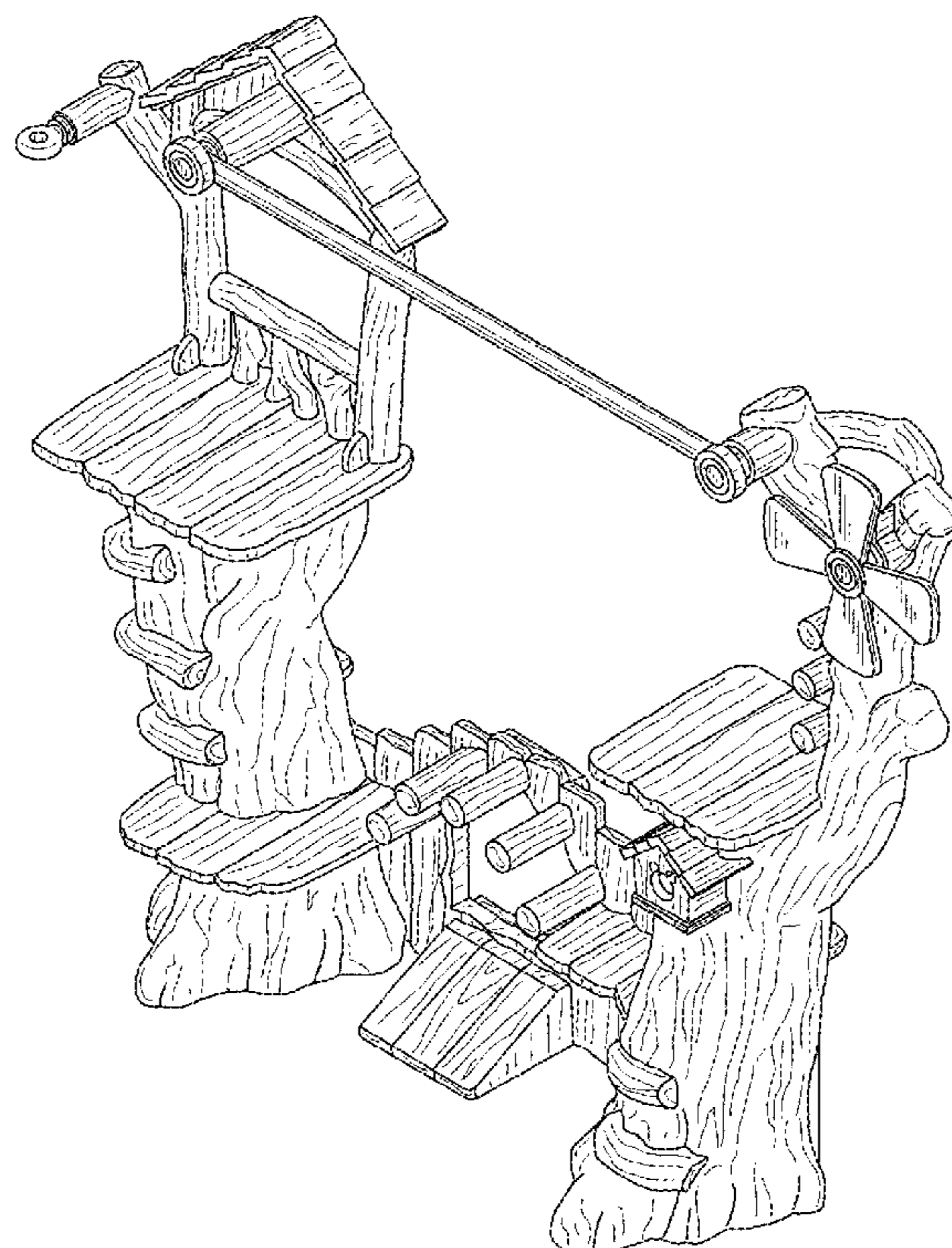


FIG. 1

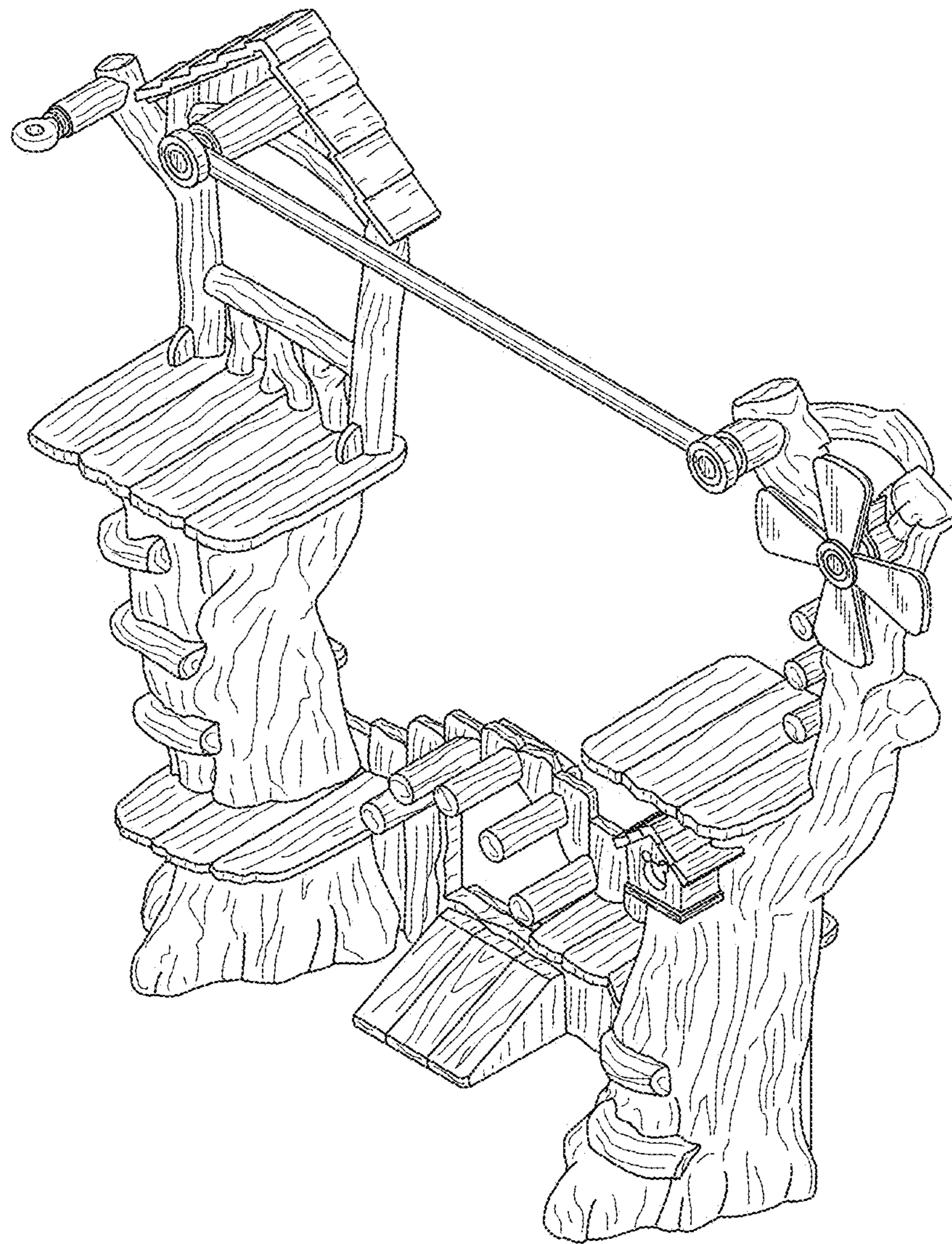


FIG. 2

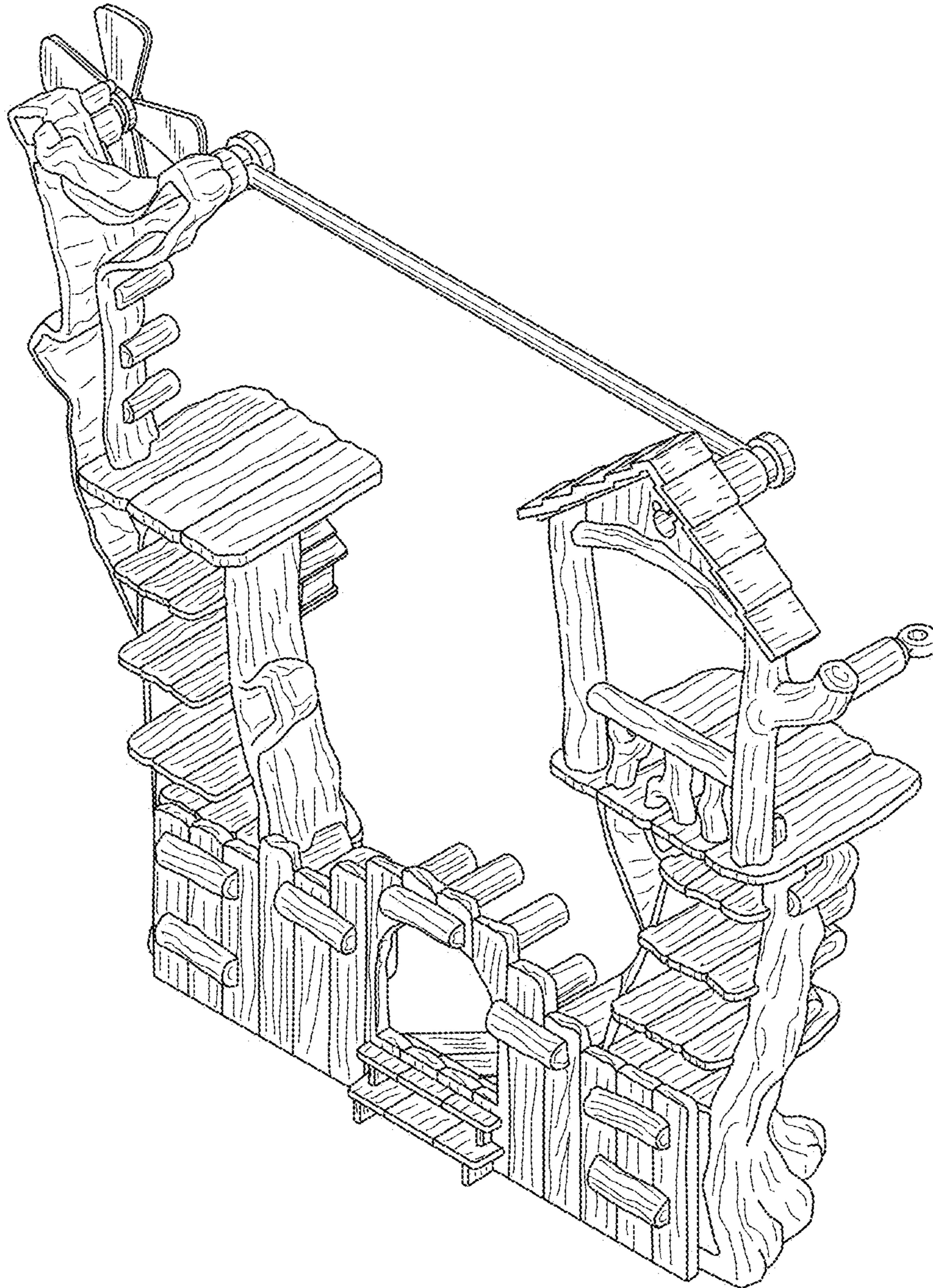


FIG. 3

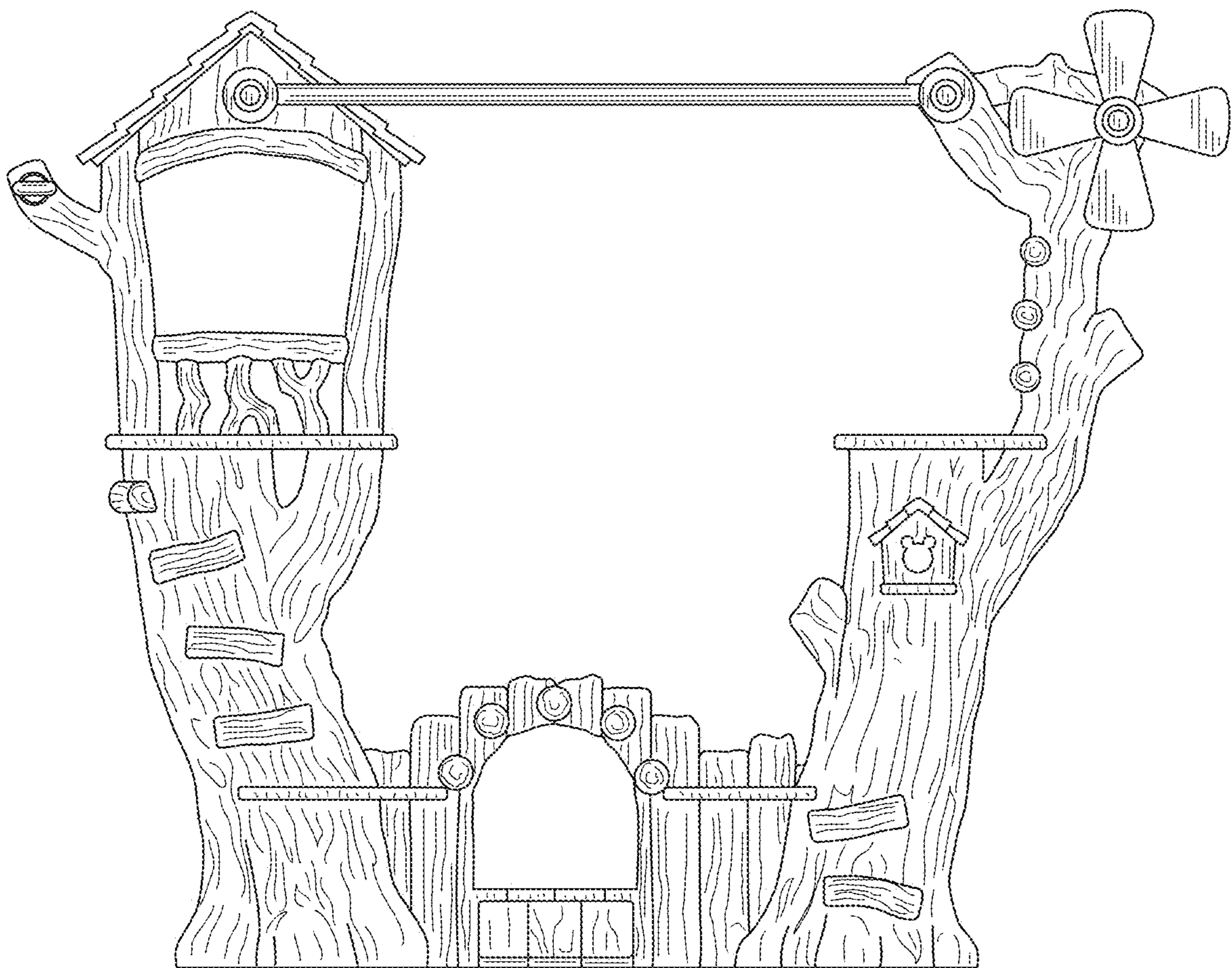


FIG. 4

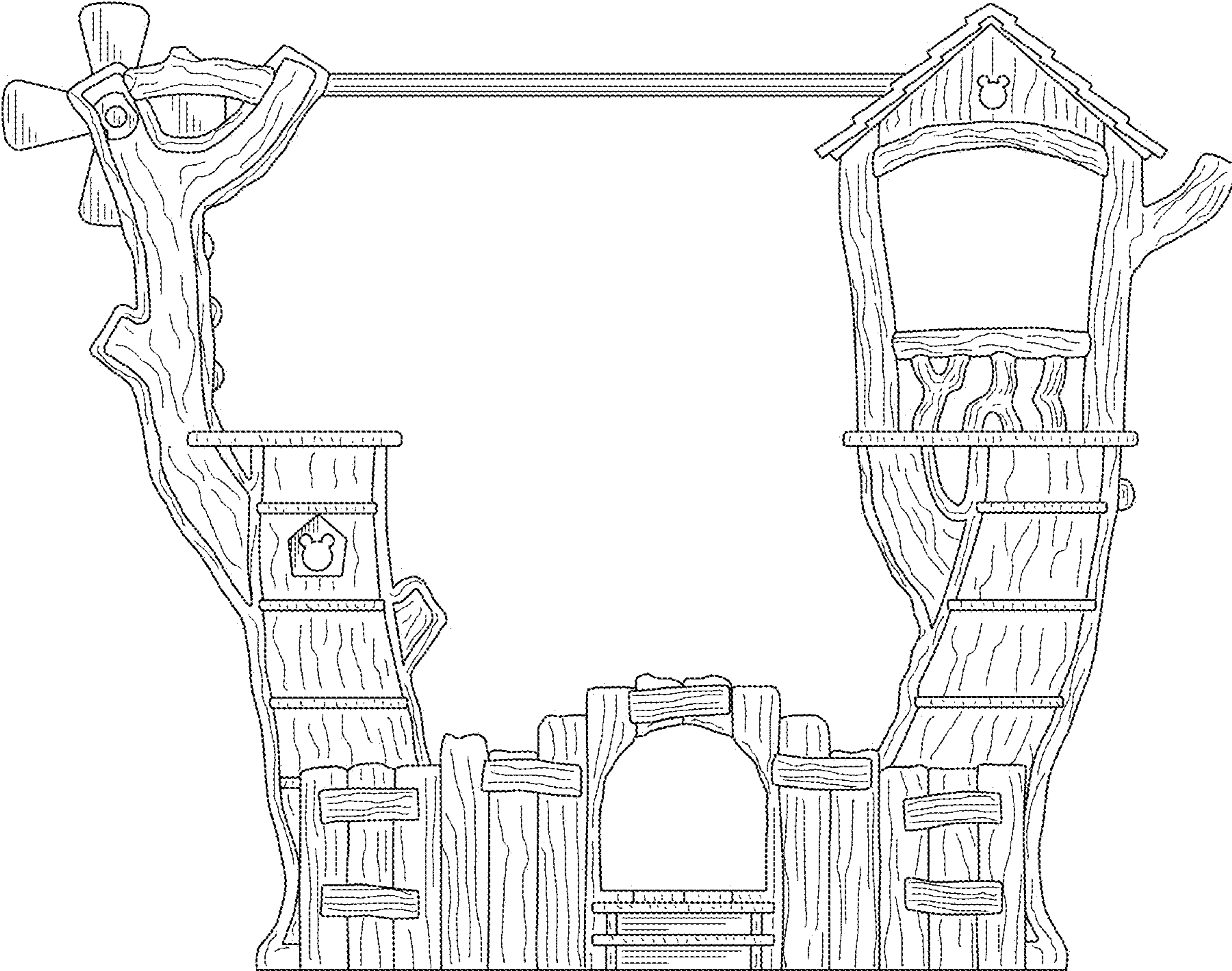


FIG. 5

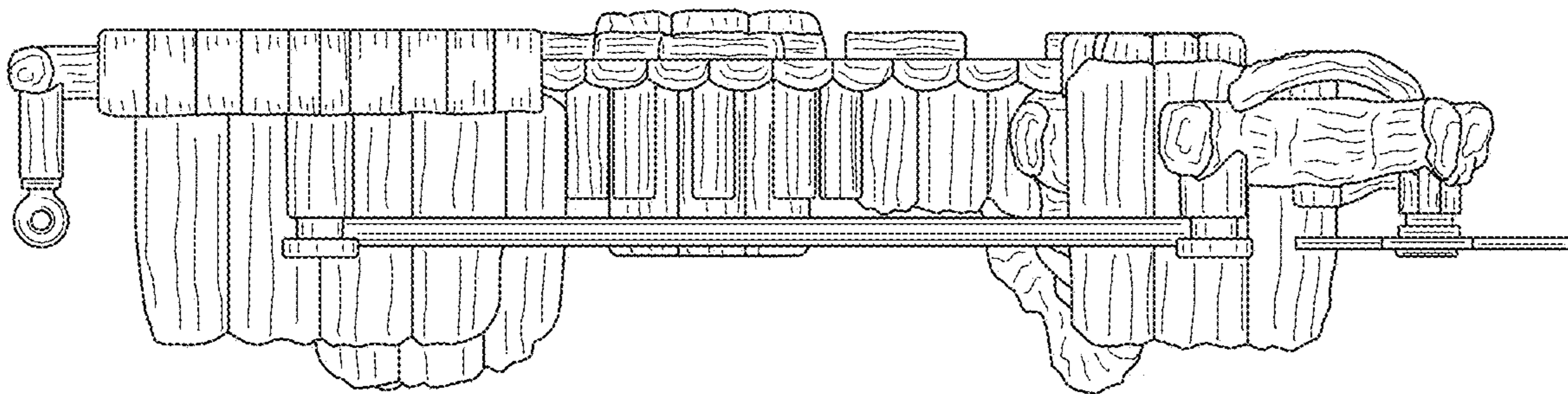


FIG. 6

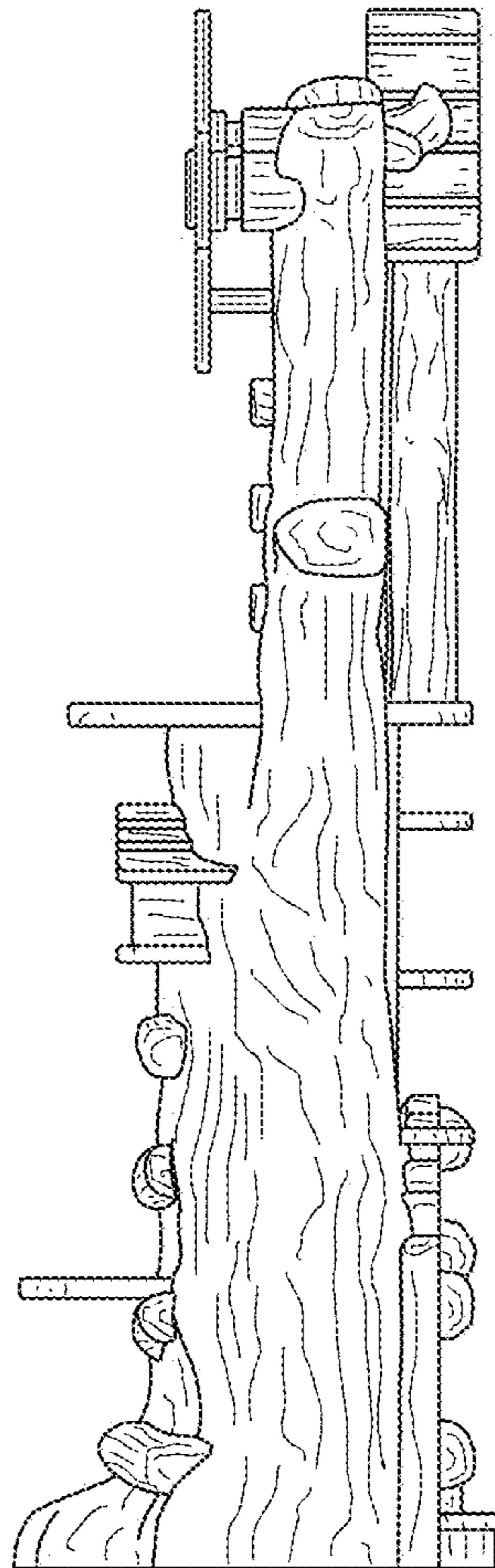


FIG. 7

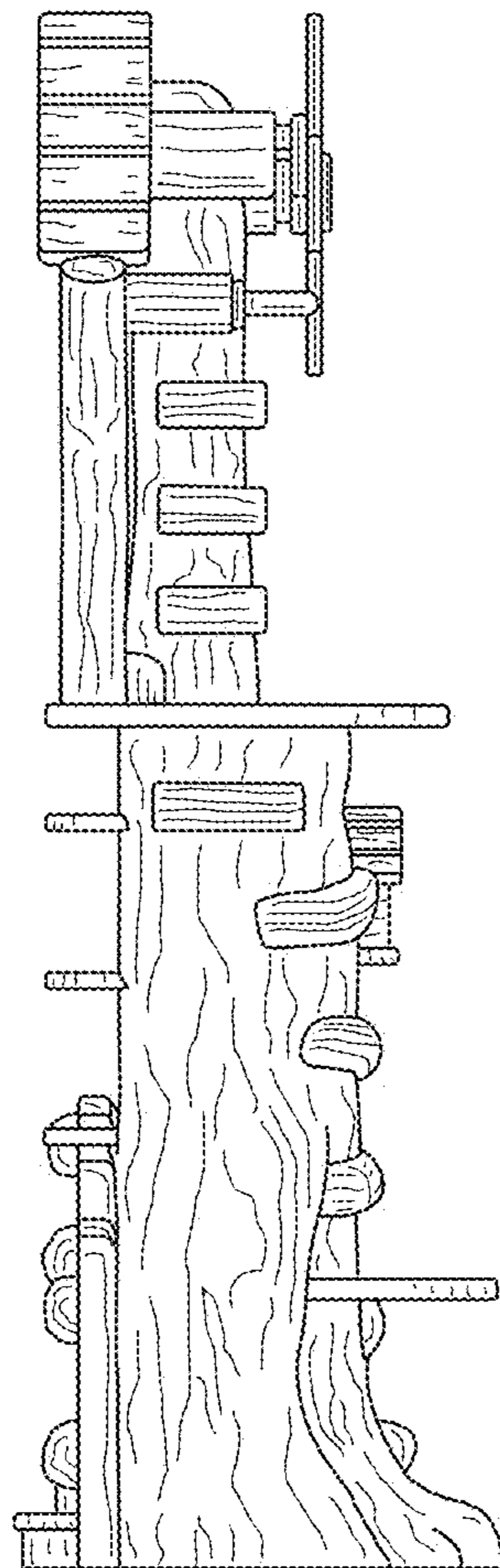


FIG. 8

