



US00D901597S

(12) **United States Design Patent**
Beers et al.

(10) **Patent No.:** **US D901,597 S**

(45) **Date of Patent:** **** Nov. 10, 2020**

- (54) **BICYCLE FRAME HOUSING**
- (71) Applicants: **Mark Beers**, Toledo, OH (US); **Lorrie Beers**, Toledo, OH (US)
- (72) Inventors: **Mark Beers**, Toledo, OH (US); **Lorrie Beers**, Toledo, OH (US)
- (**) Term: **15 Years**
- (21) Appl. No.: **29/672,230**
- (22) Filed: **Dec. 4, 2018**
- (51) **LOC (12) Cl.** **21-01**
- (52) **U.S. Cl.**
USPC **D21/429**; D12/108
- (58) **Field of Classification Search**
USPC D21/416, 429, 591, 592, 620; D12/108
CPC A63G 13/06; A63G 13/08; A63G 19/00
See application file for complete search history.

- 2,738,981 A 3/1956 Redeker
- 2,740,636 A 4/1956 Dix
- 2,837,342 A * 6/1958 Kirk B62K 9/02
280/1.189
- D189,485 S * 12/1960 Palma, Jr. D21/416
- D189,790 S * 2/1961 Parks D21/429
- 2,986,405 A * 5/1961 Spratt A63G 19/10
280/1.13
- 3,017,193 A 1/1962 Klein
- D196,848 S * 11/1963 Campbell D21/429
- 3,237,956 A * 3/1966 See A63G 19/02
280/1.183
- 3,350,109 A * 10/1967 Stanford A63G 19/08
280/1.184
- 3,372,768 A * 3/1968 Wresch B62M 6/60
180/220

(Continued)

FOREIGN PATENT DOCUMENTS

WO WO2008131678 6/2008
Primary Examiner — Cynthia M. Chin

(56) **References Cited**
U.S. PATENT DOCUMENTS

- 1,241,975 A * 10/1917 Hicks et al. B62K 3/002
280/229
- D60,974 S * 5/1922 Bartholomew D21/429
- D69,344 S * 2/1926 Bludworth D21/591
- D77,531 S * 1/1929 Calleson D21/429
- 1,705,991 A * 3/1929 Moore B62K 9/02
280/1.208
- 1,808,887 A * 6/1931 Dunkley B62K 9/02
280/1.192
- D126,371 S 4/1941 Schnack
- 2,423,248 A * 7/1947 Middler A63G 19/02
280/1.194
- 2,424,632 A * 7/1947 Powlick B62M 11/00
280/223
- D149,577 S * 5/1948 McCoy D12/108
- 2,490,410 A * 12/1949 Brown A63G 19/02
280/1.203
- 2,592,041 A 4/1952 Monte
- D170,115 S * 8/1953 Essary D12/108

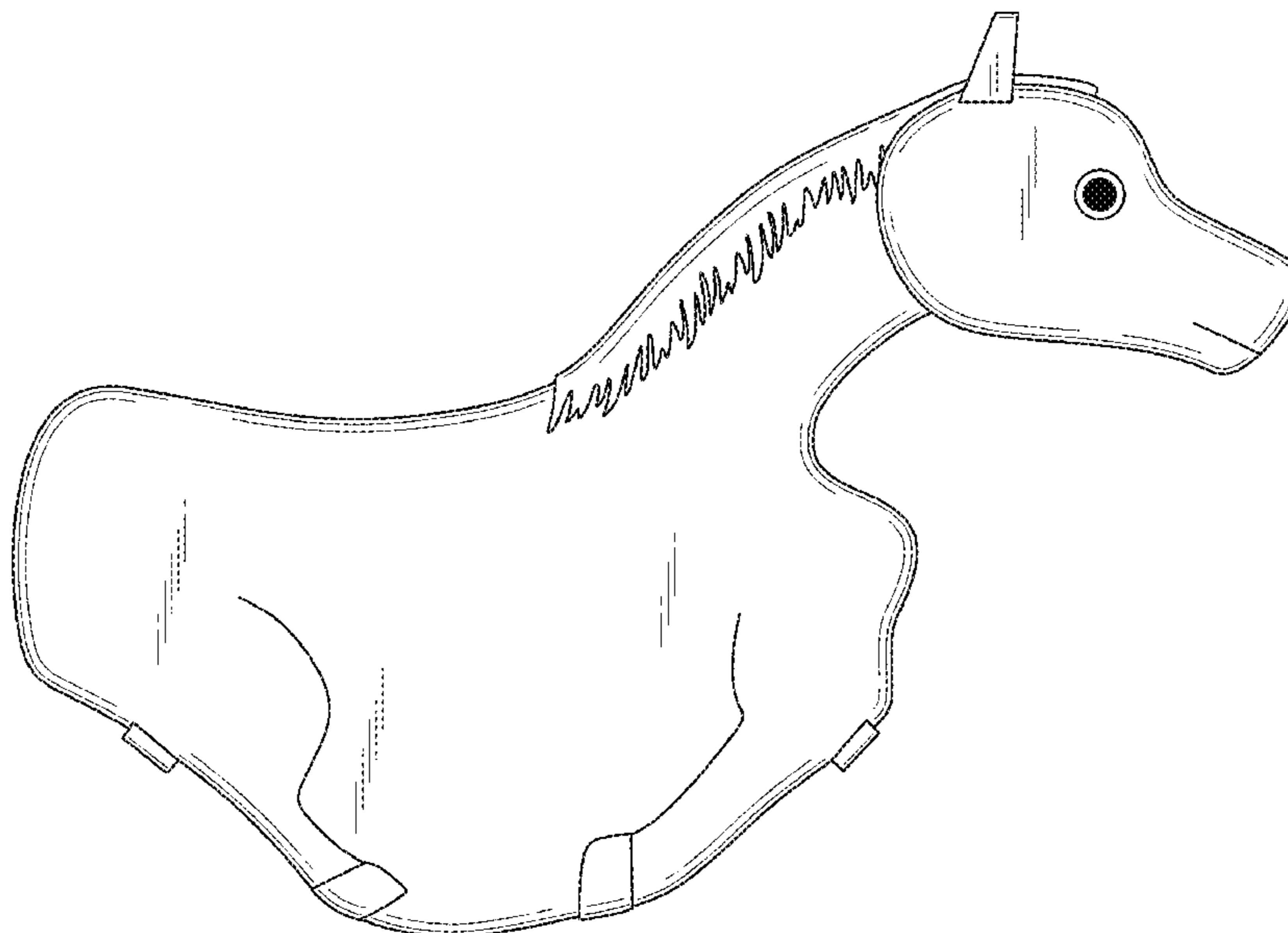
(57) **CLAIM**

The ornamental design for a bicycle frame housing, as shown and described.

DESCRIPTION

FIG. 1 is a front view of a bicycle frame housing showing my new design;
FIG. 2 is a rear view of the bicycle frame housing;
FIG. 3 is a right side view of the bicycle frame housing;
FIG. 4 is a left side view of the bicycle frame housing;
FIG. 5 is a top view of the bicycle frame housing;
FIG. 6 is a bottom view of the bicycle frame housing; and,
FIG. 7 is a top front side perspective view of the bicycle frame housing in use.
The broken lines in FIG. 7 illustrate environmental structure forming no part of the claimed design.

1 Claim, 5 Drawing Sheets



(56)

References Cited

U.S. PATENT DOCUMENTS

3,514,117	A		5/1970	Olsen	
3,628,801	A	*	12/1971	Lambrecht A63G 19/02
					280/1.202
D265,076	S	*	6/1982	Ornatek D11/159
D295,427	S	*	4/1988	Vullierme D21/416
D297,151	S	*	8/1988	Lewis D21/416
D307,304	S	*	4/1990	Hahn D21/416
4,971,342	A	*	11/1990	Dix A63G 19/02
					280/1.13
D312,991	S		12/1990	Lohrum	
D332,434	S	*	1/1993	Tsun D12/108
5,549,313	A	*	8/1996	James A63G 19/02
					280/1.13
D378,840	S	*	4/1997	Rahbek D21/620
D464,917	S	*	10/2002	Rehkemper D12/108
6,499,747	B2		12/2002	Fagan	
D603,758	S	*	11/2009	Melzer D12/108
D689,963	S	*	9/2013	Thorsen D21/620
8,827,279	B1	*	9/2014	Clark A63H 17/26
					180/210
D725,201	S	*	3/2015	Shalgi D21/592
D880,240	S	*	4/2020	Kushner D7/504
2016/0347395	A1		12/2016	Nelson-Pondrom	

* cited by examiner

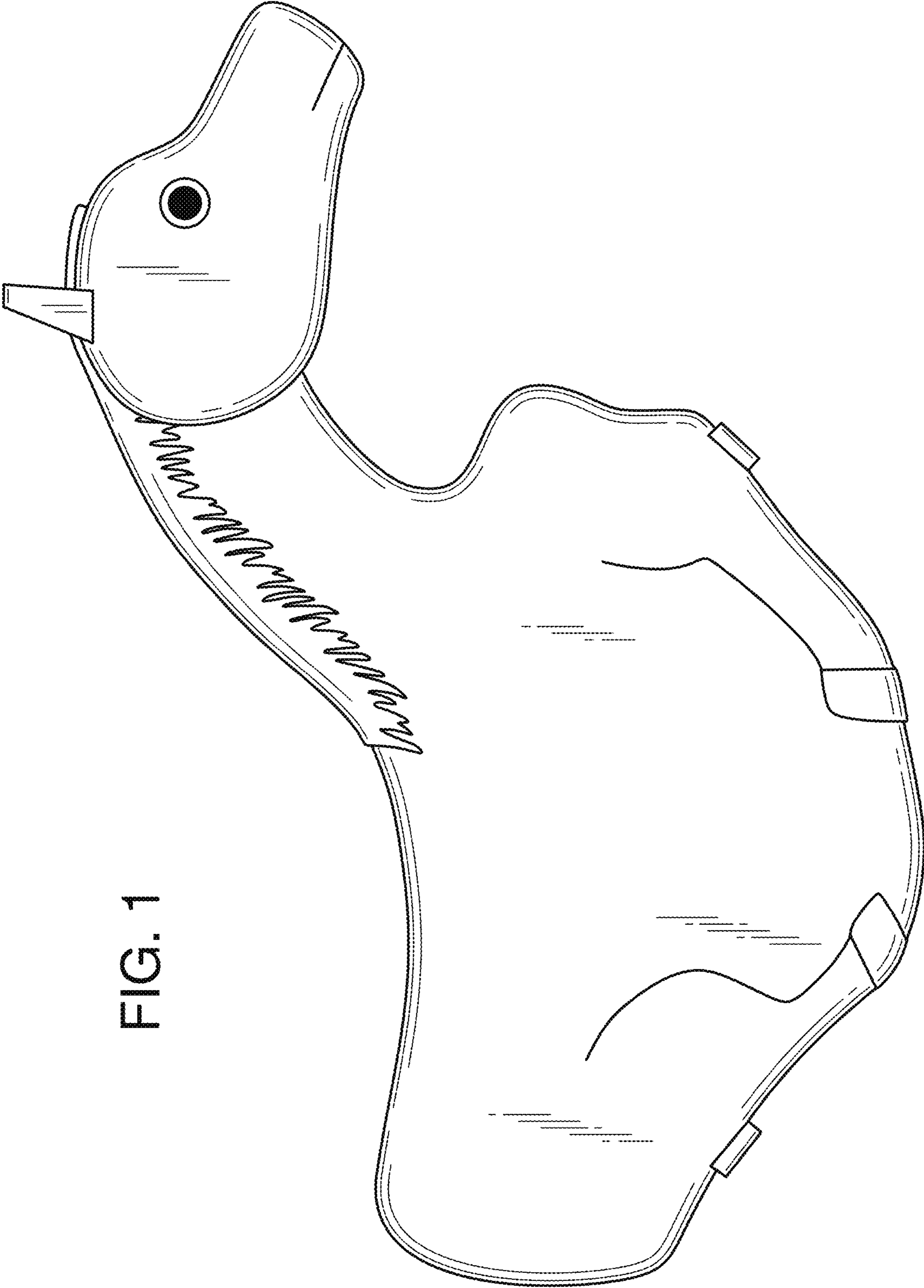
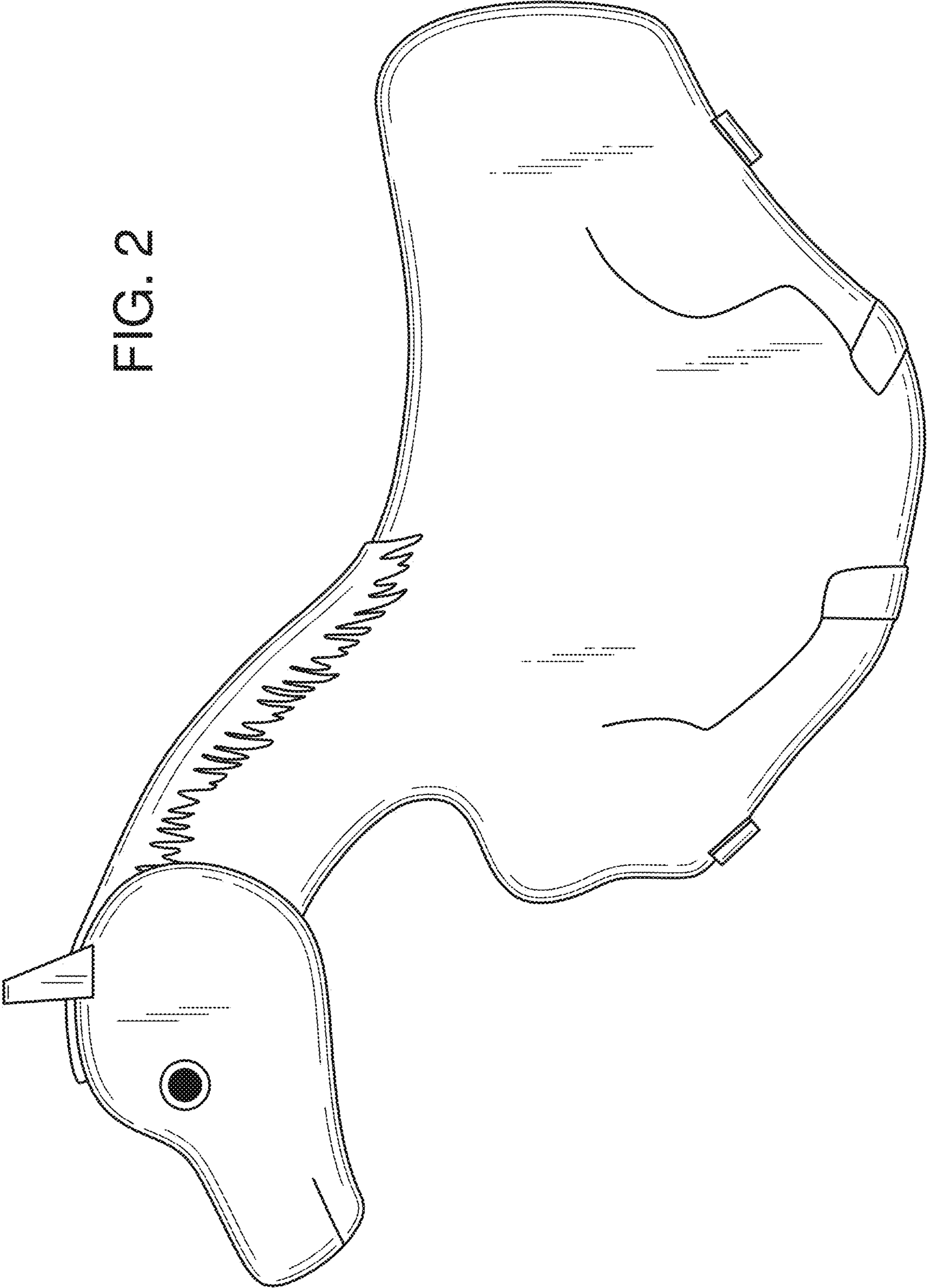


FIG. 1

FIG. 2



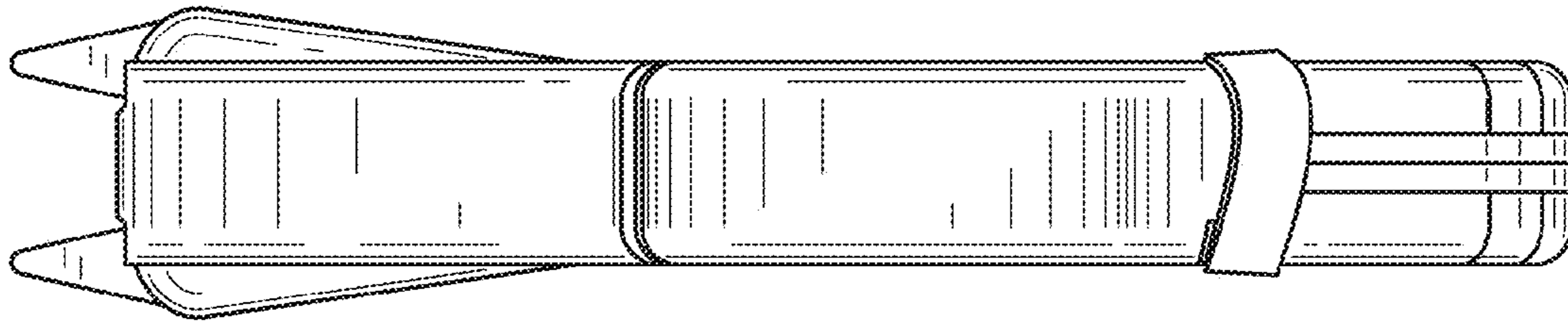


FIG. 4

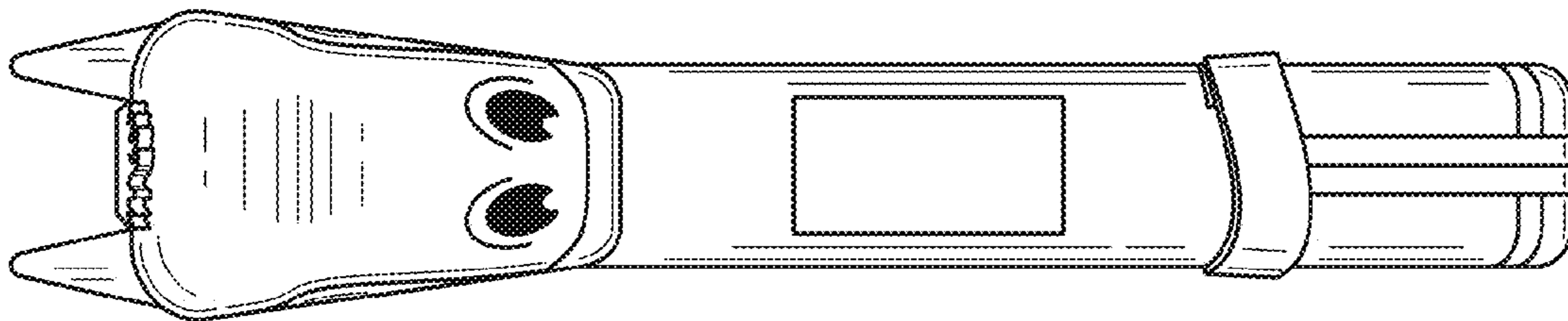


FIG. 3

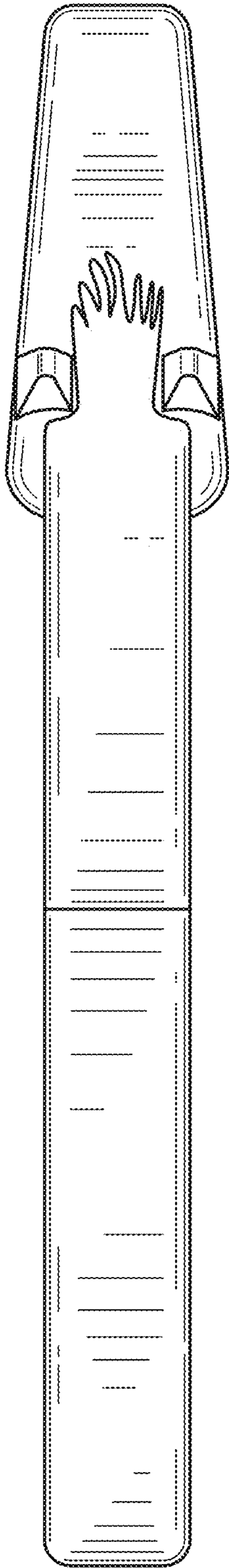


FIG. 5

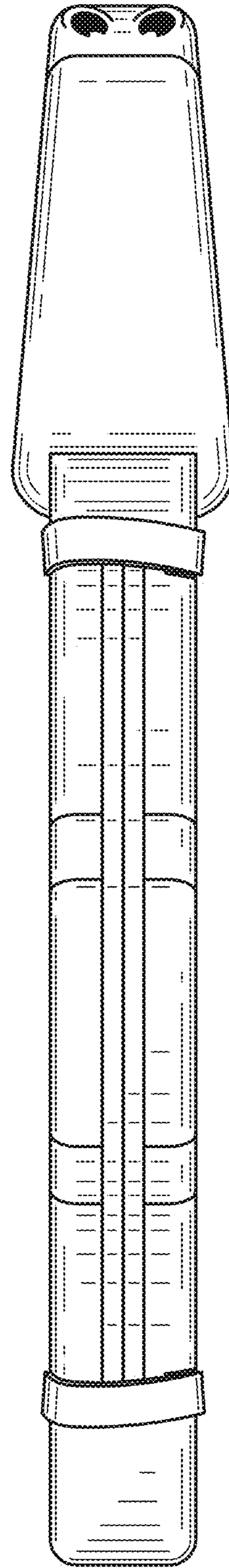


FIG. 6

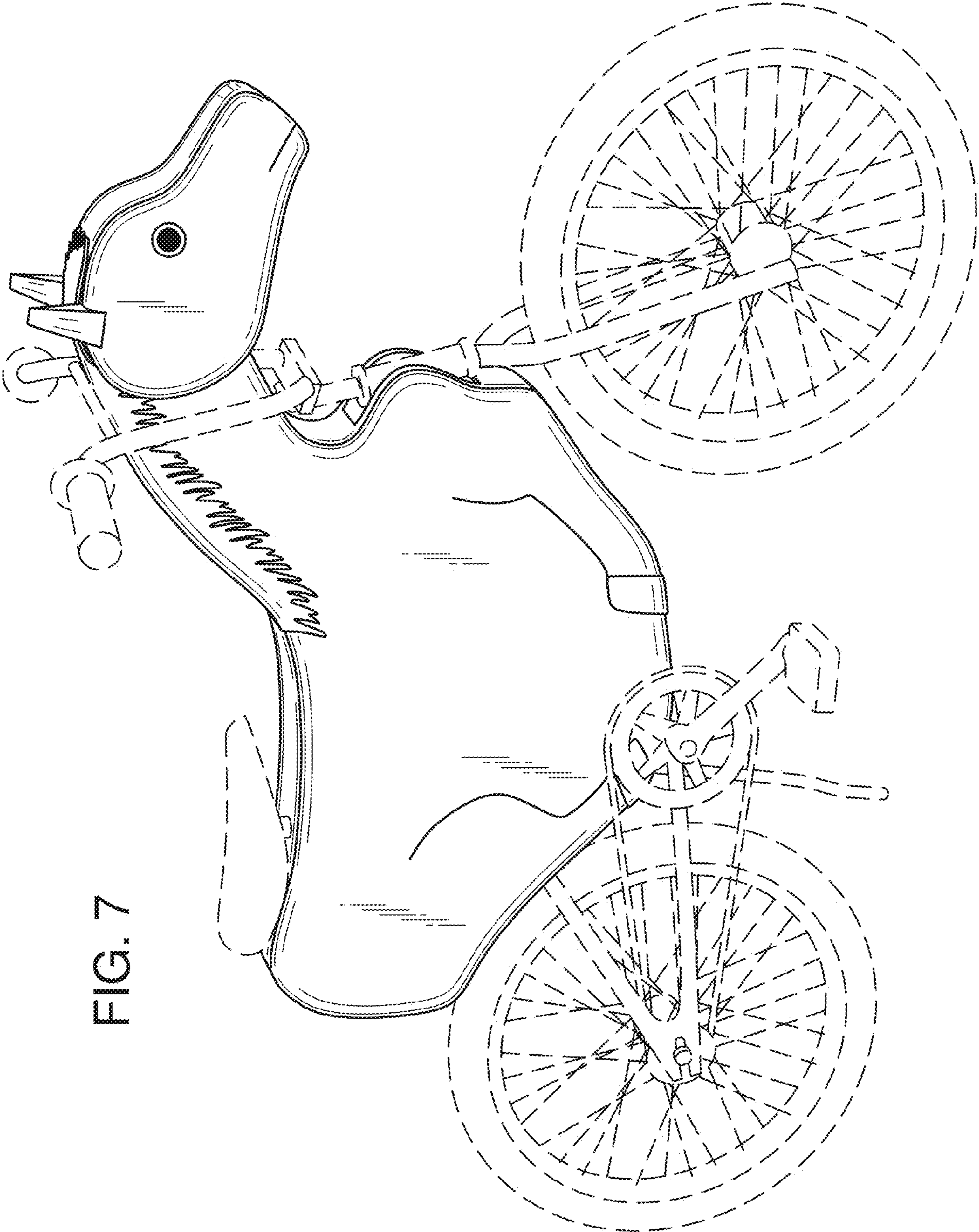


FIG. 7