



US00D901595S

(12) **United States Design Patent** (10) **Patent No.:** **US D901,595 S**
Chen (45) **Date of Patent:** **** Nov. 10, 2020**

(54) **SCOOTER**

D886,907 S * 6/2020 Gao D21/423
D890,852 S * 7/2020 Yang D21/423

(71) Applicant: **ZHEJIANG AOTU INTELLIGENT TECHNOLOGY CO., LTD**, Jiaxing (CN)

* cited by examiner

Primary Examiner — Cynthia M. Chin

(72) Inventor: **Guoming Chen**, Shenzhen (CN)

(57) **CLAIM**

The ornamental design for a scooter, as shown and described.

(73) Assignee: **ZHEJIANG AOTU INTELLIGENT TECHNOLOGY CO., LTD**, Jiaxing (CN)

DESCRIPTION

(**) Term: **15 Years**

FIG. 1 is a perspective view of a scooter showing my new design;

(21) Appl. No.: **29/690,401**

FIG. 2 is another perspective view thereof;

(22) Filed: **May 7, 2019**

FIG. 3 is a front elevational view thereof;

(51) **LOC (12) Cl.** **21-01**

FIG. 4 is a rear elevational view thereof;

(52) **U.S. Cl.**

FIG. 5 is a left side elevational view thereof;

USPC **D21/423**

FIG. 6 is a right side elevational view thereof;

(58) **Field of Classification Search**

FIG. 7 is a top plan view thereof;

USPC D21/419, 421, 423, 432, 760, 763, 765,
D21/771; D12/1, 110

FIG. 8 is a bottom plan view thereof;

CPC B62K 3/002; B62K 9/00; B62K 2202/00;
B62K 15/00; B60Y 2200/126

FIG. 9 is a perspective view of the scooter where the scooter is in a folded state;

See application file for complete search history.

FIG. 10 is an enlarged view of the handlebars, taken from the top of FIG. 1;

(56) **References Cited**

U.S. PATENT DOCUMENTS

- D645,522 S * 9/2011 Powers D21/423
- 8,025,305 B1 * 9/2011 Lin B62K 3/002
280/301
- D839,358 S * 1/2019 Cao D21/423
- D846,654 S * 4/2019 Van Eyndhoven D21/423
- D849,151 S * 5/2019 Avena D21/423
- D849,153 S * 5/2019 Zhang D21/423
- D858,647 S * 9/2019 Liu D21/423
- D860,917 S * 9/2019 Tan D21/423
- D872,191 S * 1/2020 Lee D21/423
- D873,349 S * 1/2020 Huang D21/423
- D883,395 S * 5/2020 Yang D21/423

FIG. 11 is an enlarged view of the front wheel and deck, taken from the left of FIG. 1;

FIG. 12 is an enlarged view of the rear wheel area, taken from the right of FIG. 1;

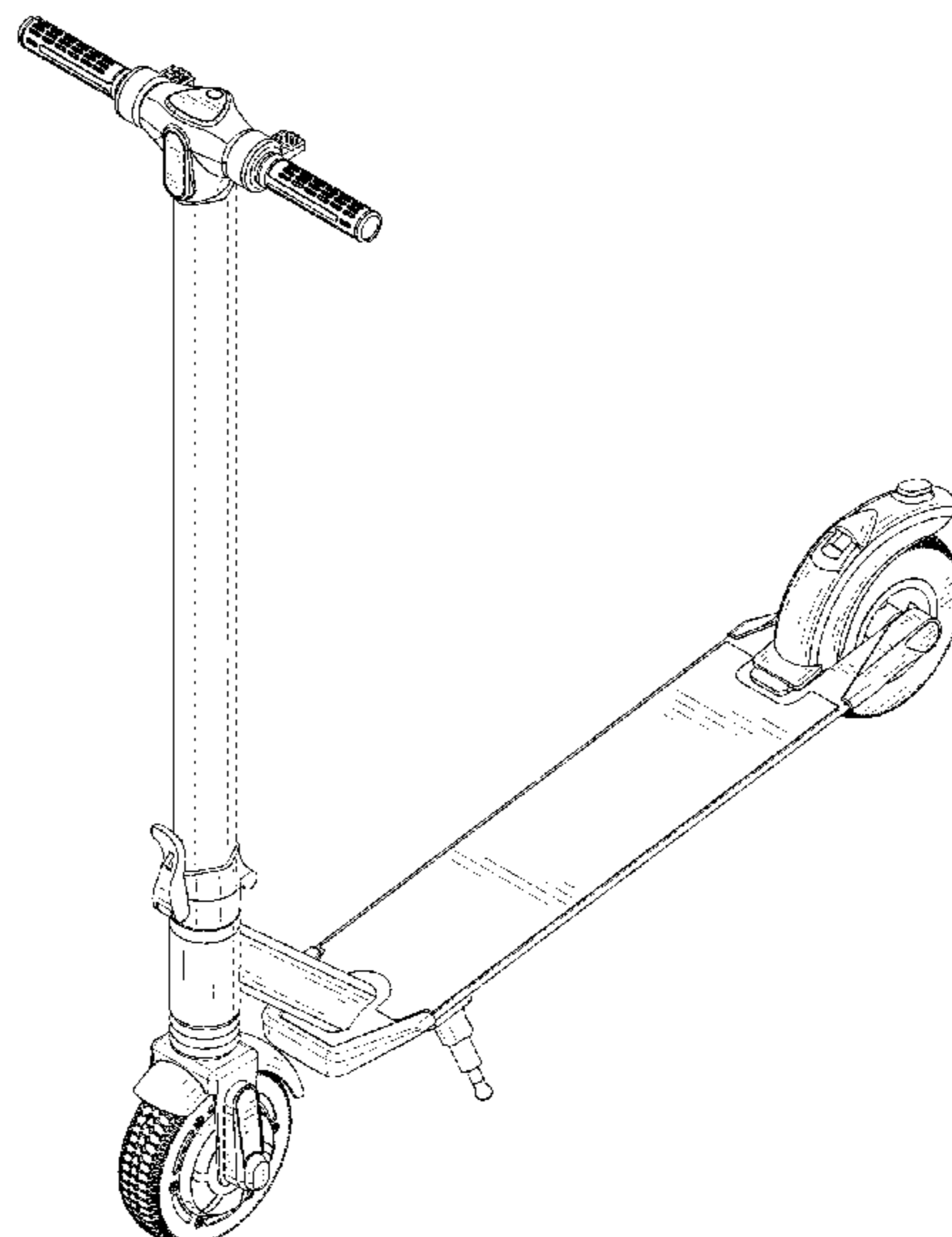
FIG. 13 is an enlarged view of the handlebars, taken from the top of FIG. 2;

FIG. 14 is an enlarged view of the handlebars, taken from the top of FIG. 3; and,

FIG. 15 is an enlarged view of the handlebars and front wheel, taken from the bottom of FIG. 7.

The broken lines in the drawings depict portions of the scooter that form no part of the claimed design. The dash-dot broken lines in FIGS. 10-15 represent the boundaries of the enlarged partial views. None of the broken lines form a part of the claimed design.

1 Claim, 15 Drawing Sheets



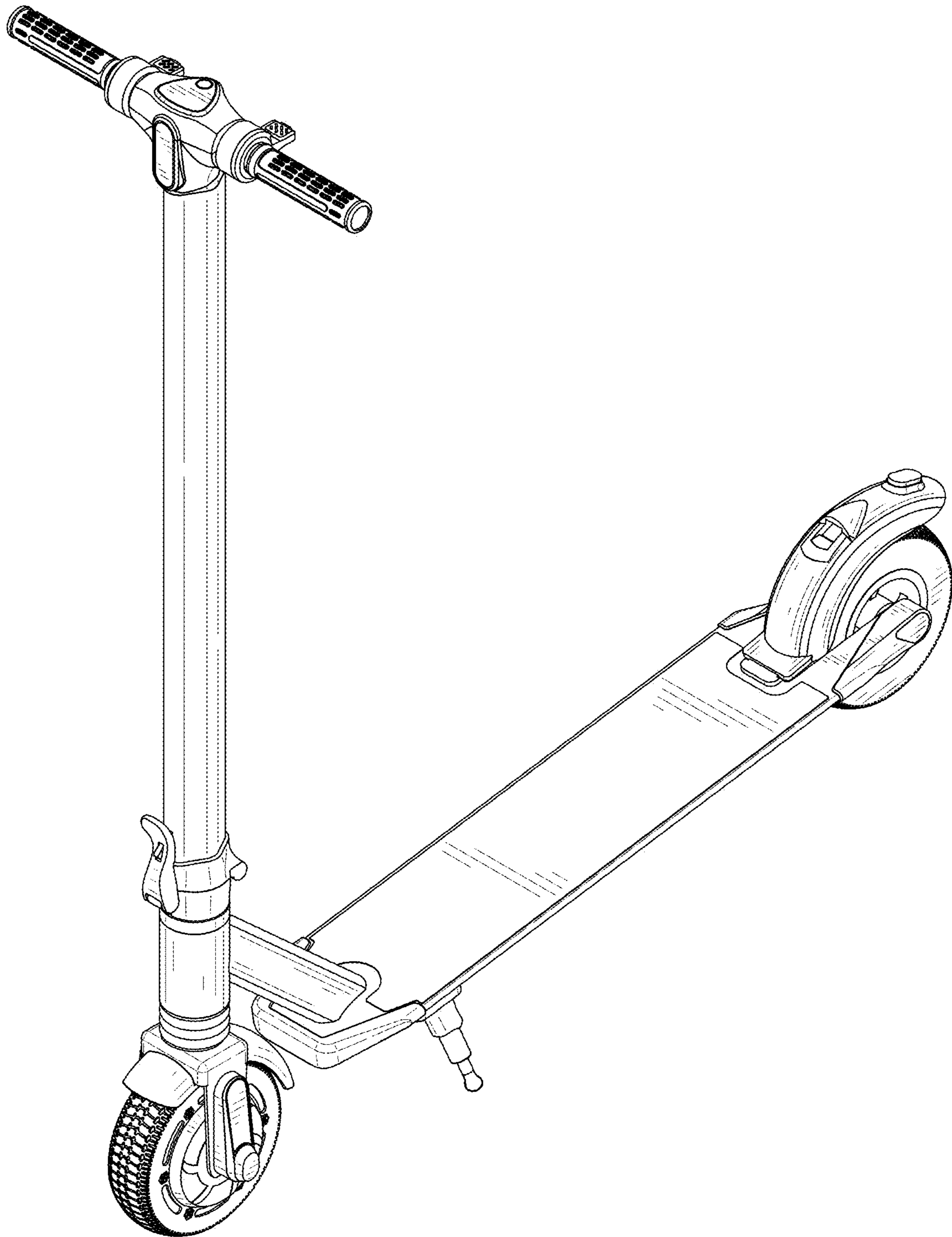


FIG. 1

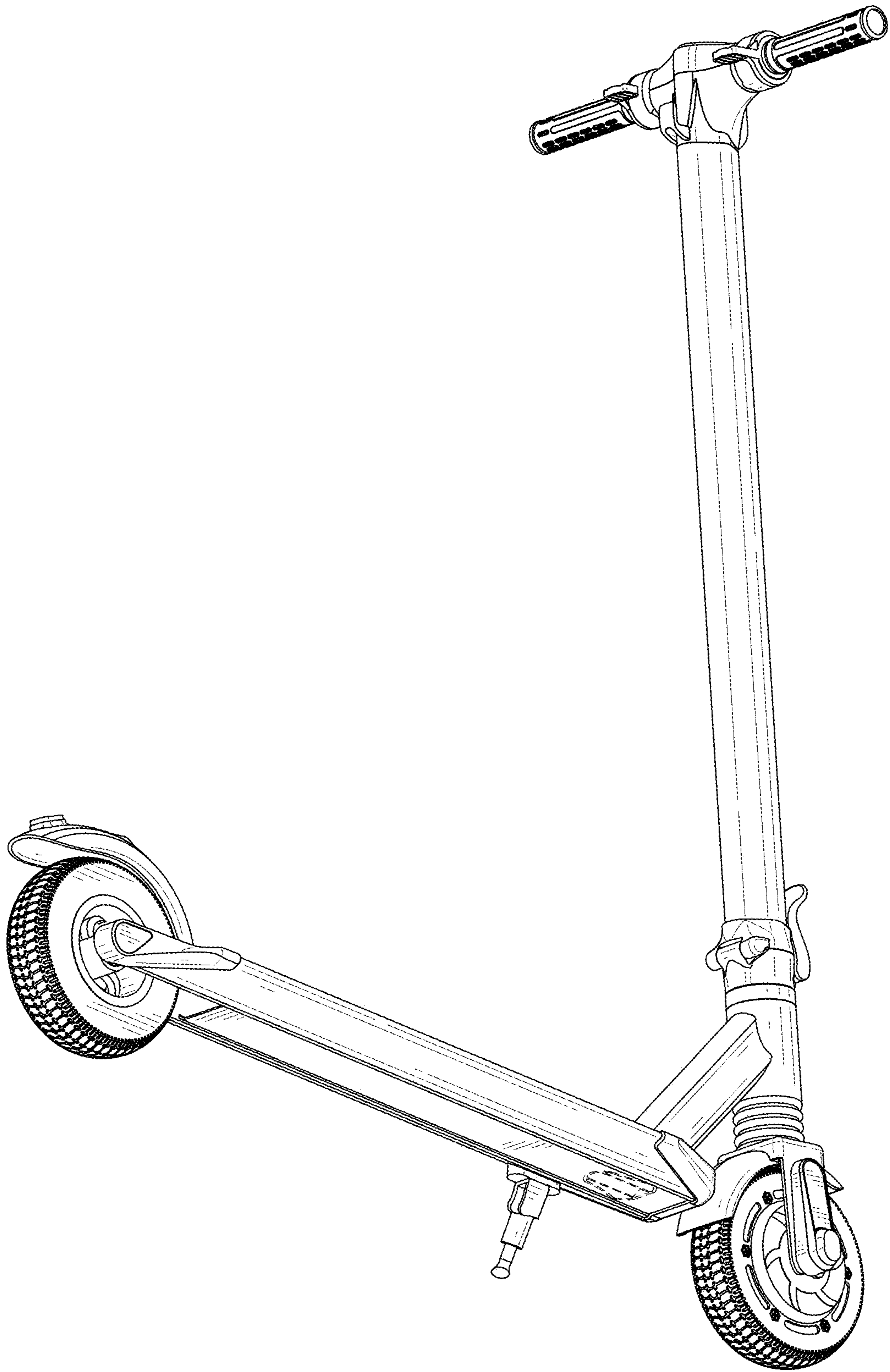


FIG. 2

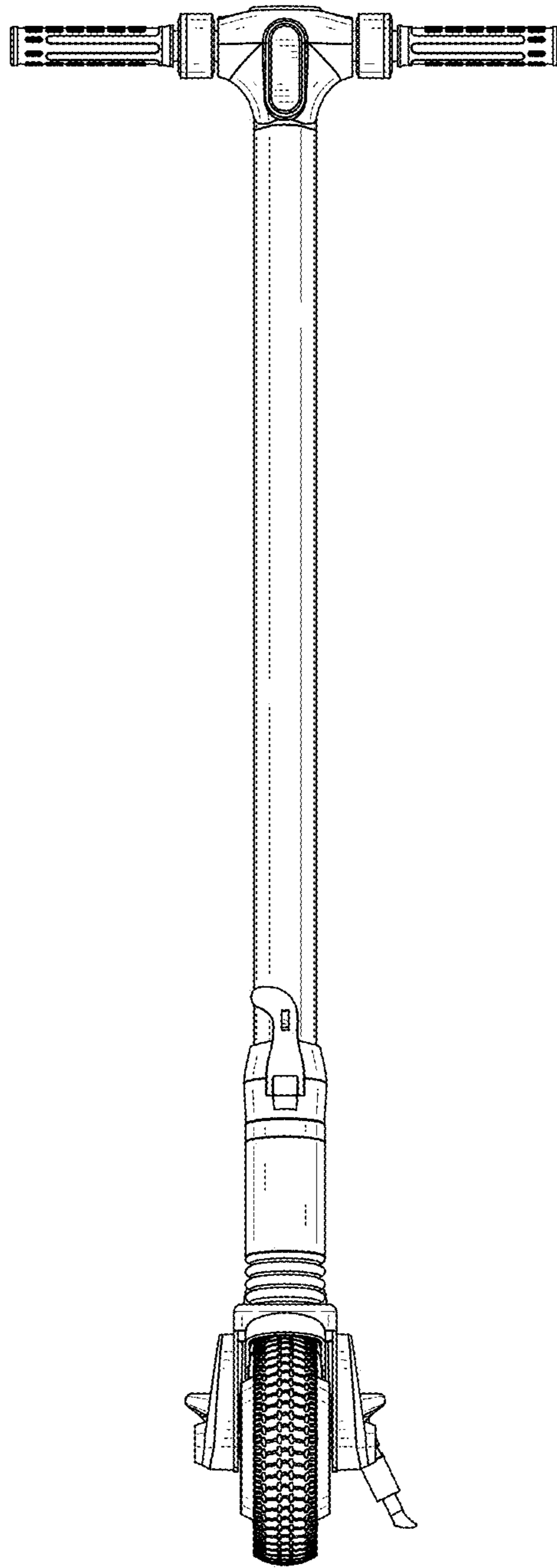


FIG. 3

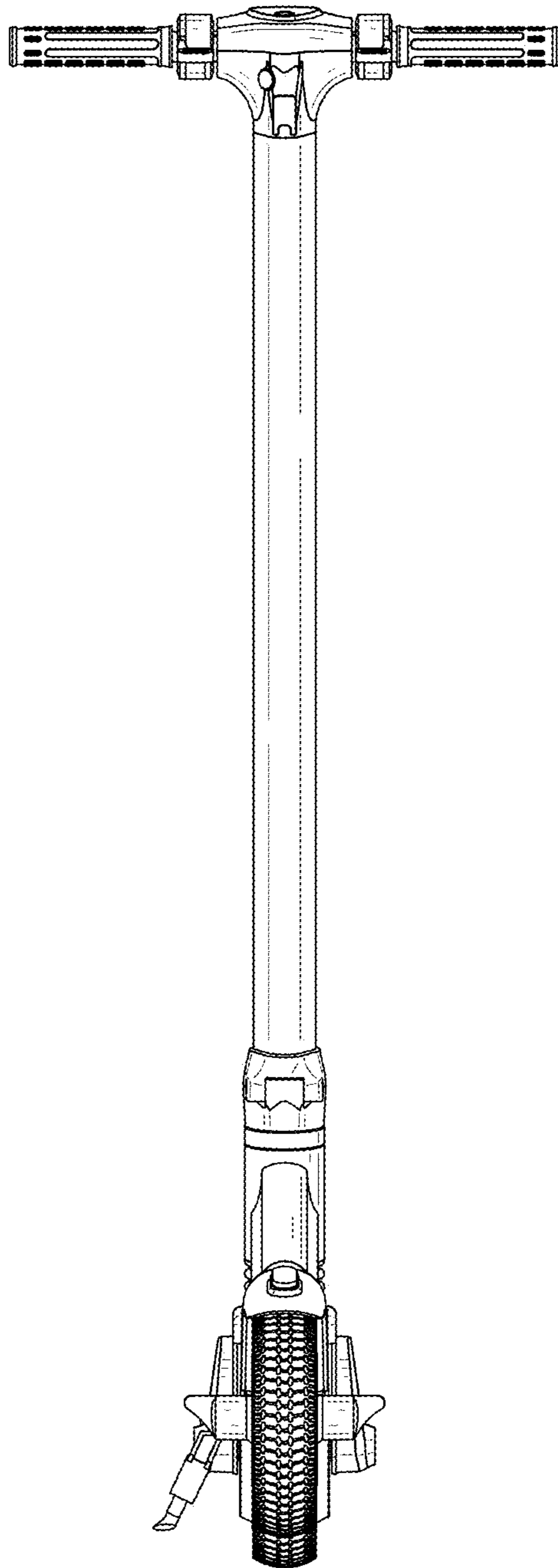


FIG. 4

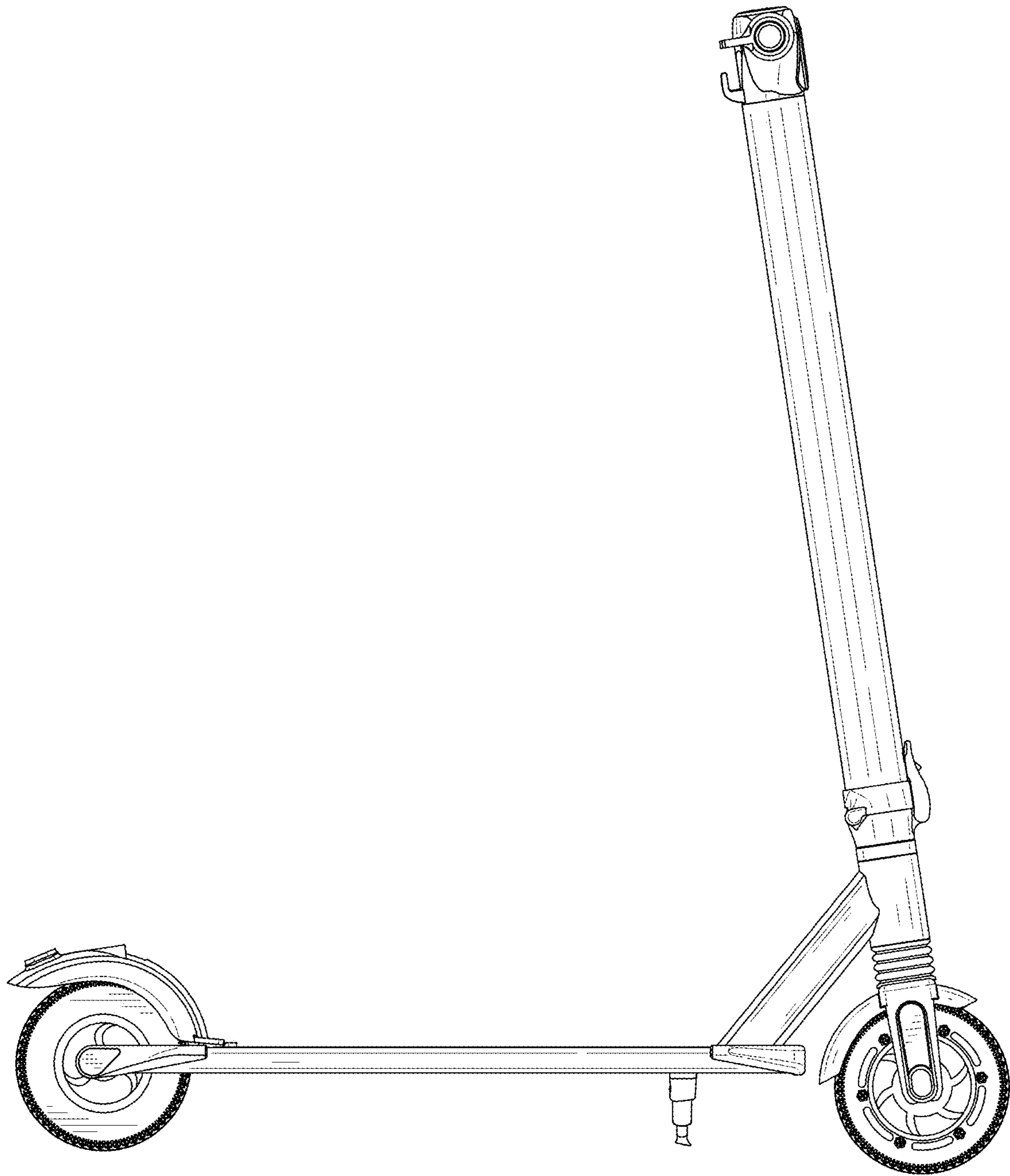


FIG. 5



FIG. 6

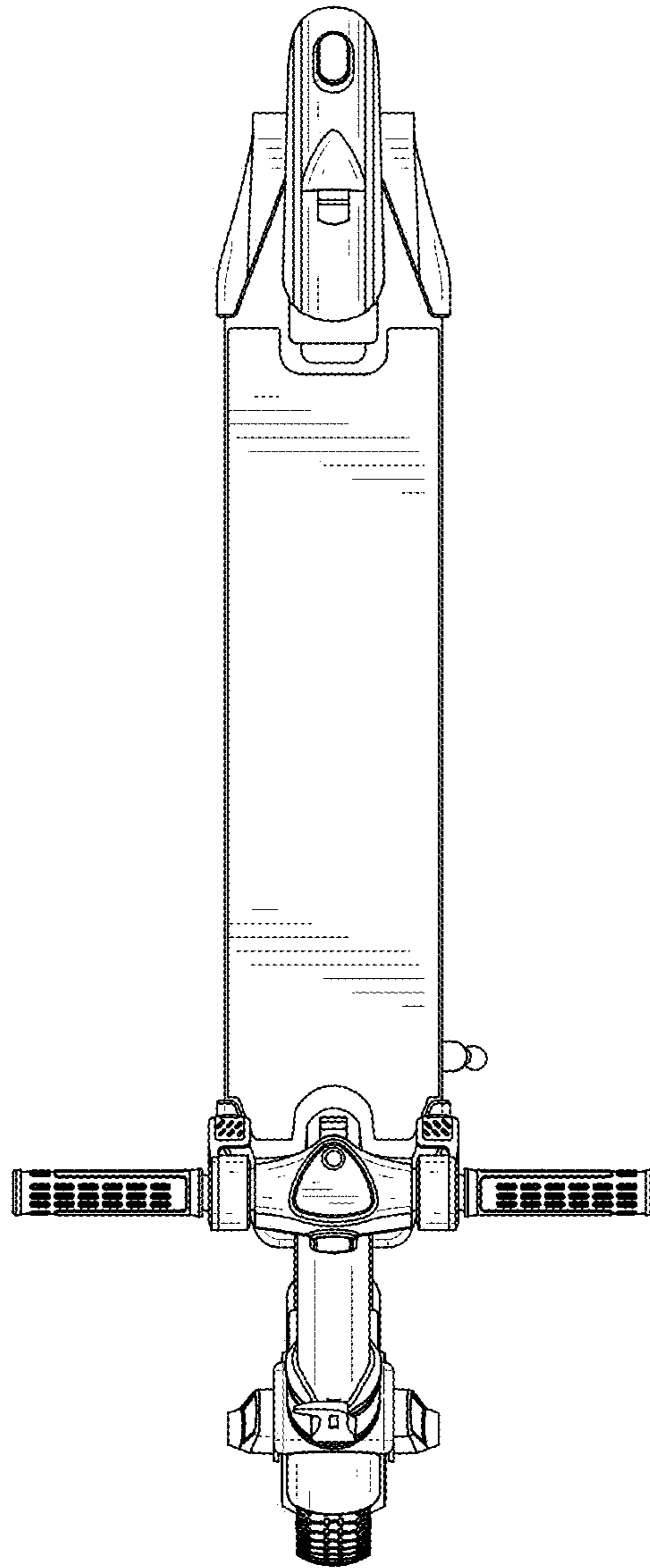


FIG. 7

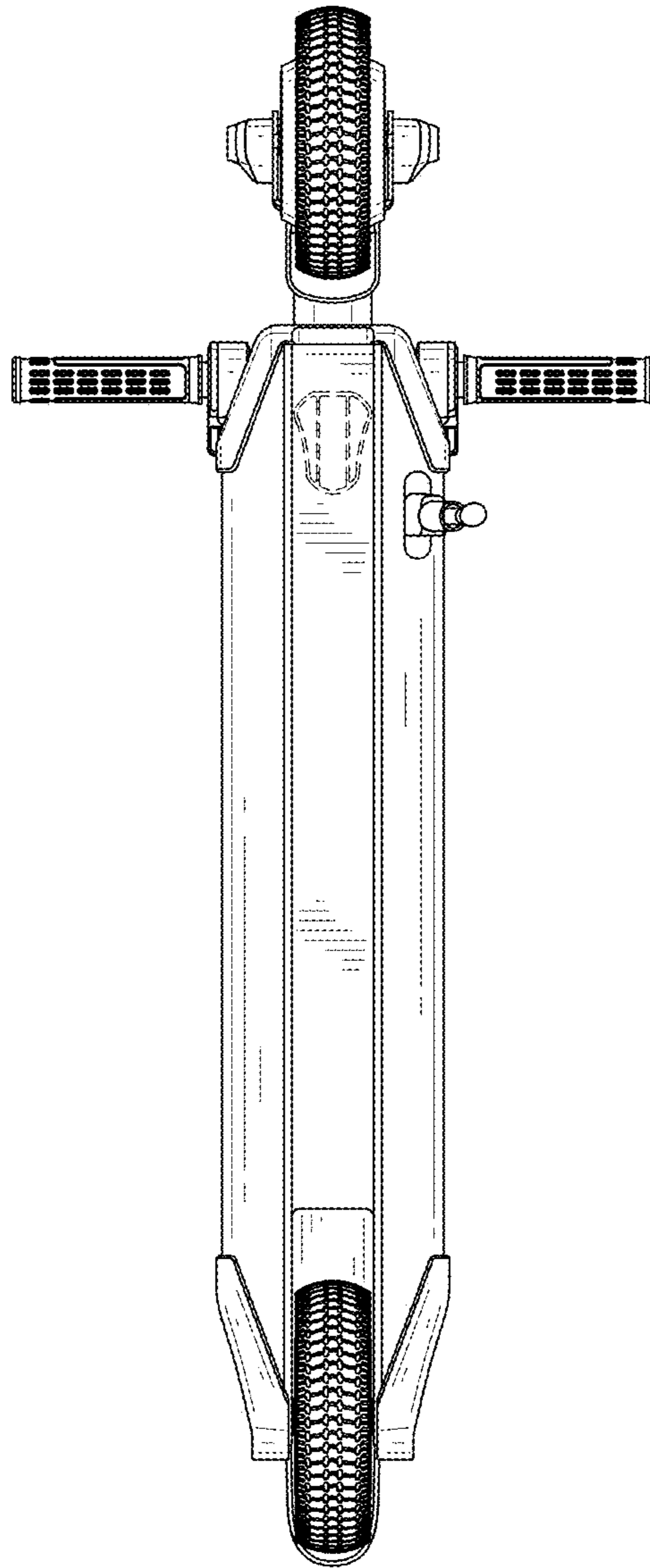


FIG. 8

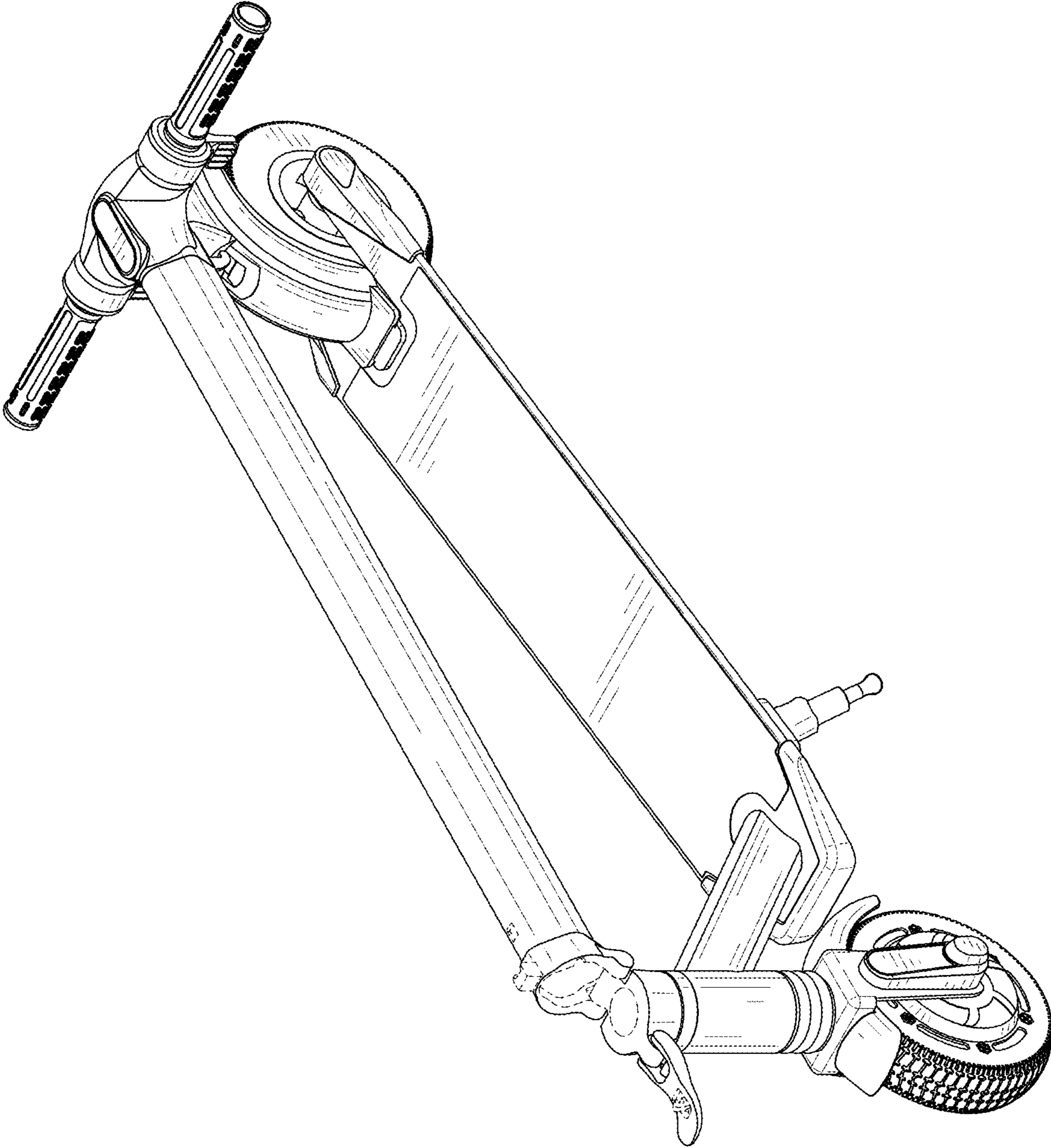


FIG. 9

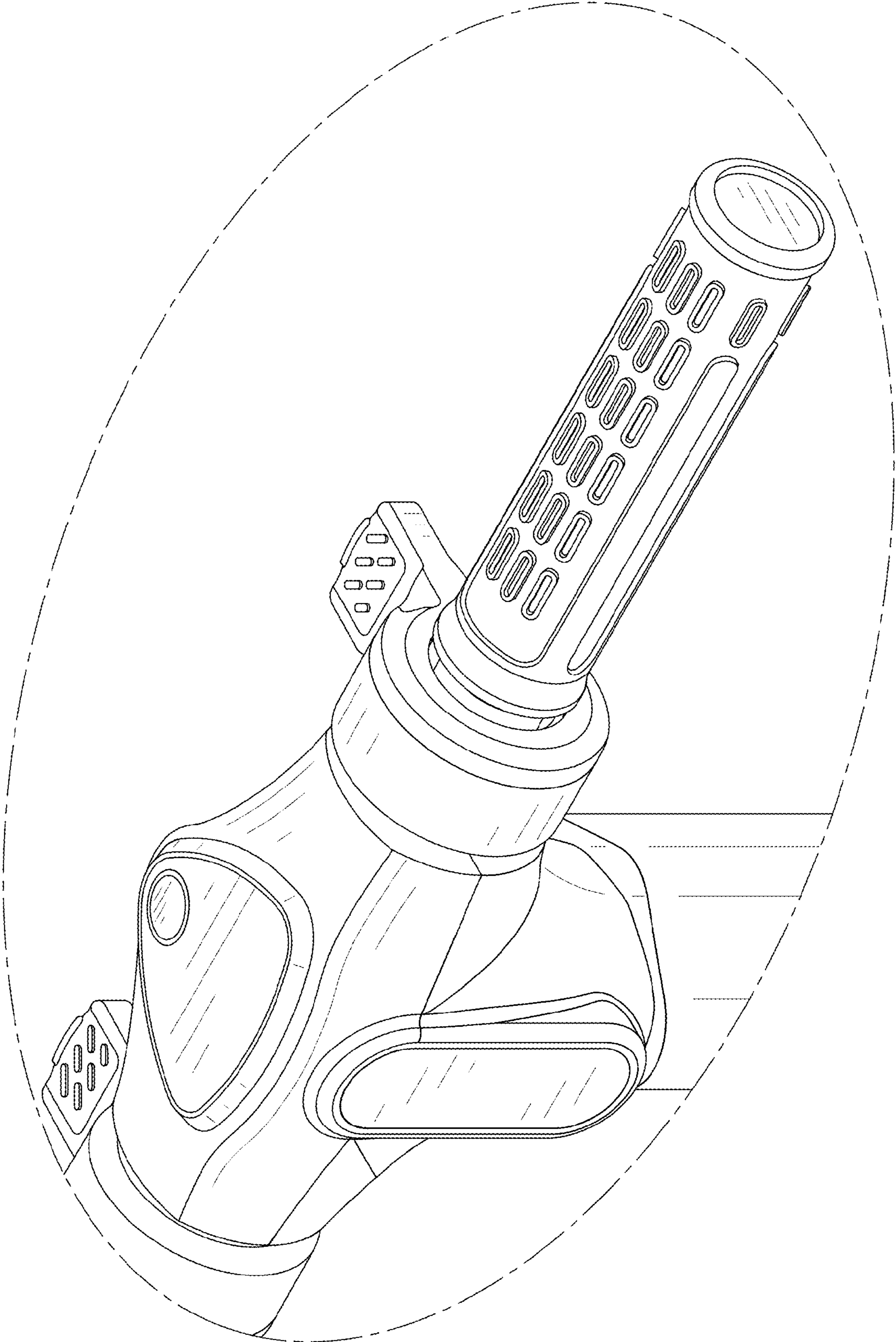


FIG. 10

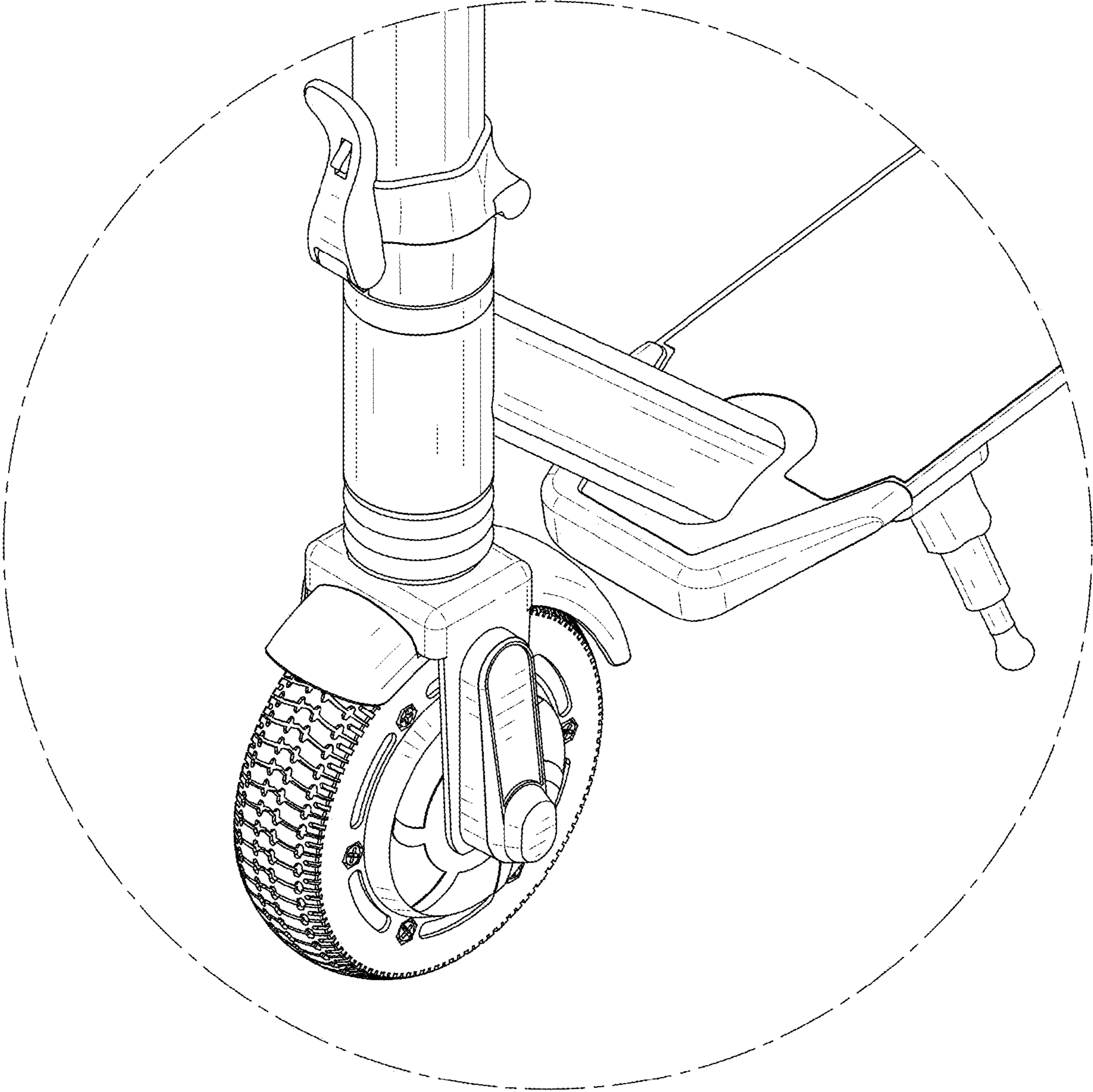


FIG. 11

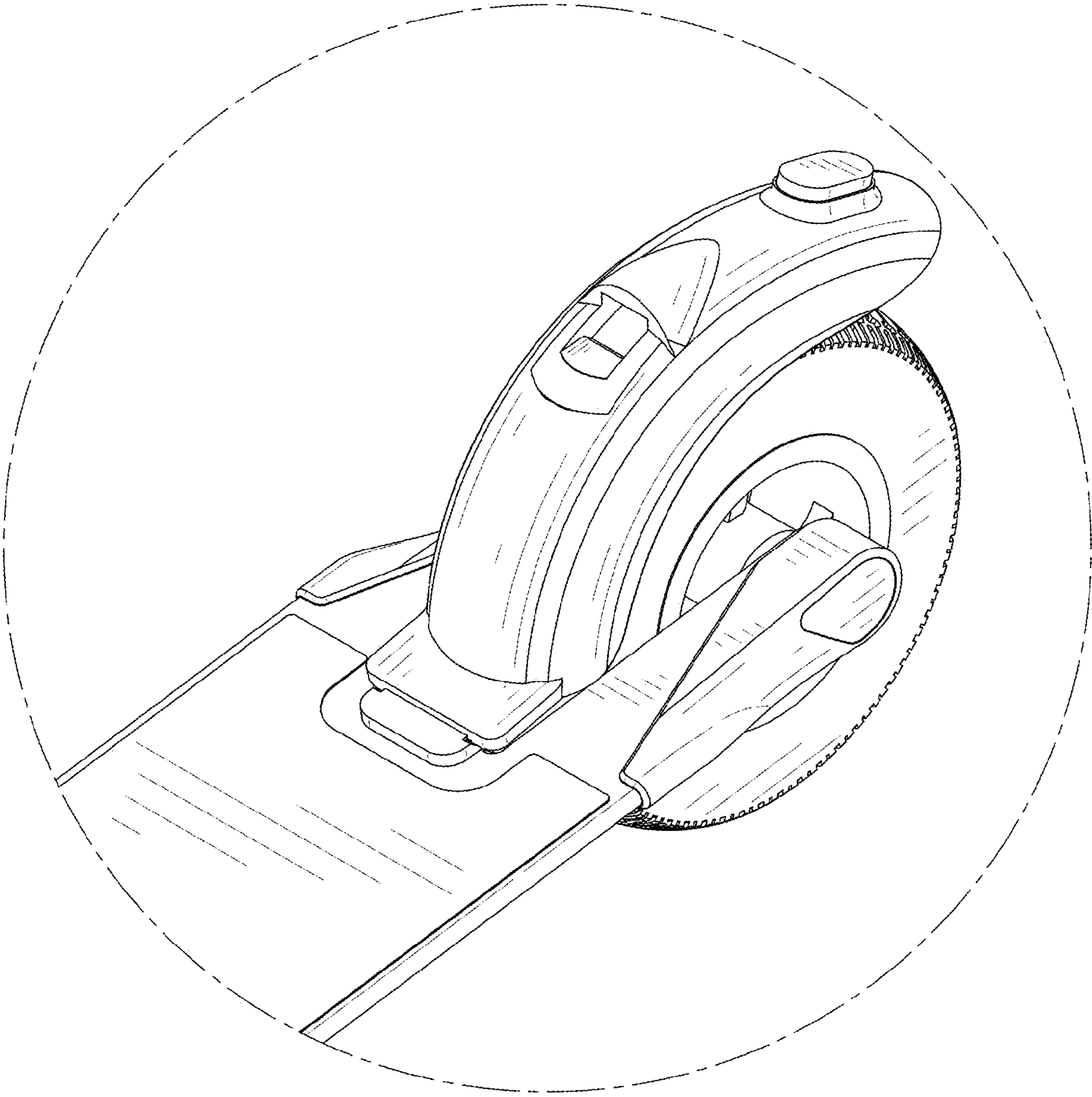


FIG. 12

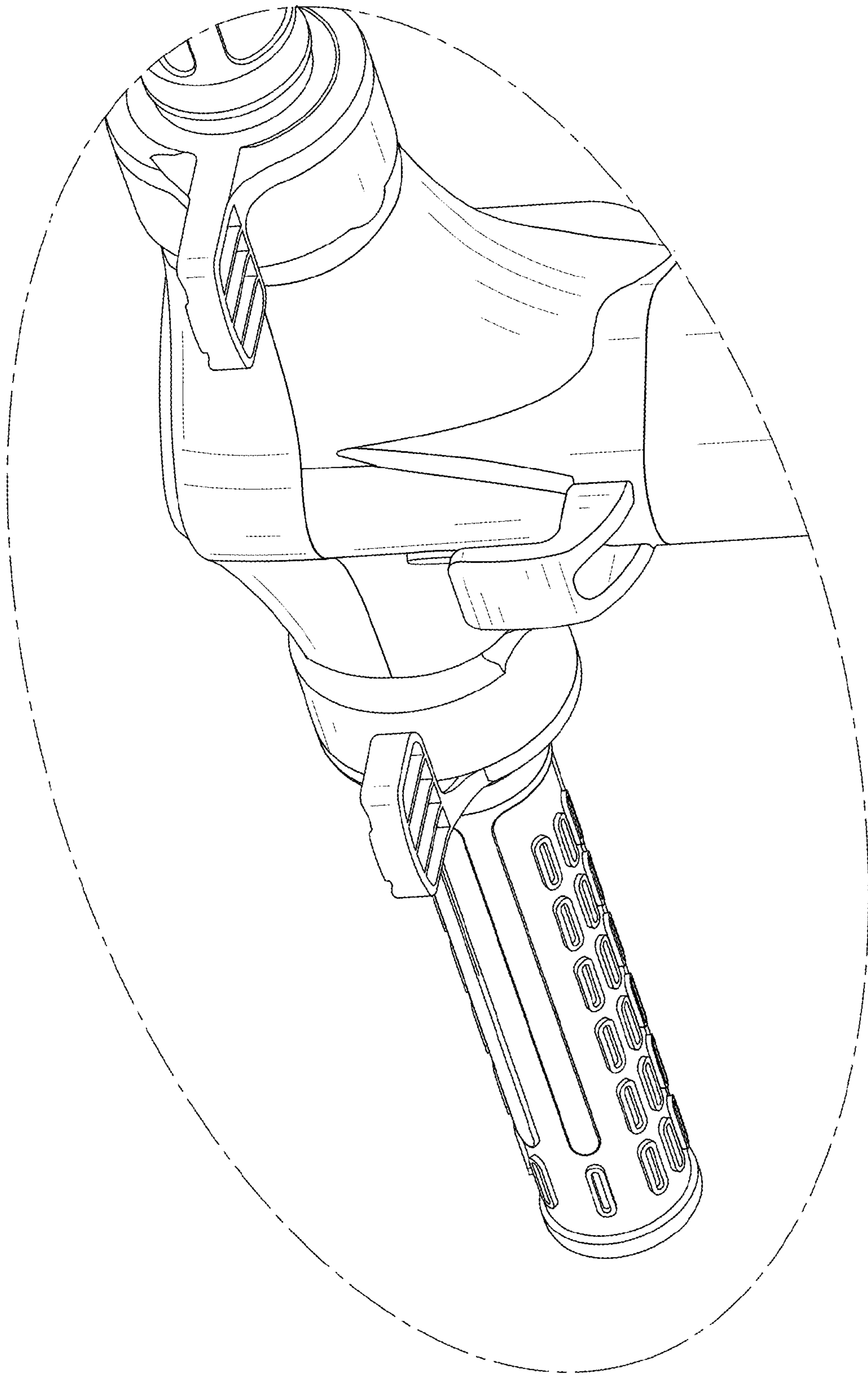


FIG. 13

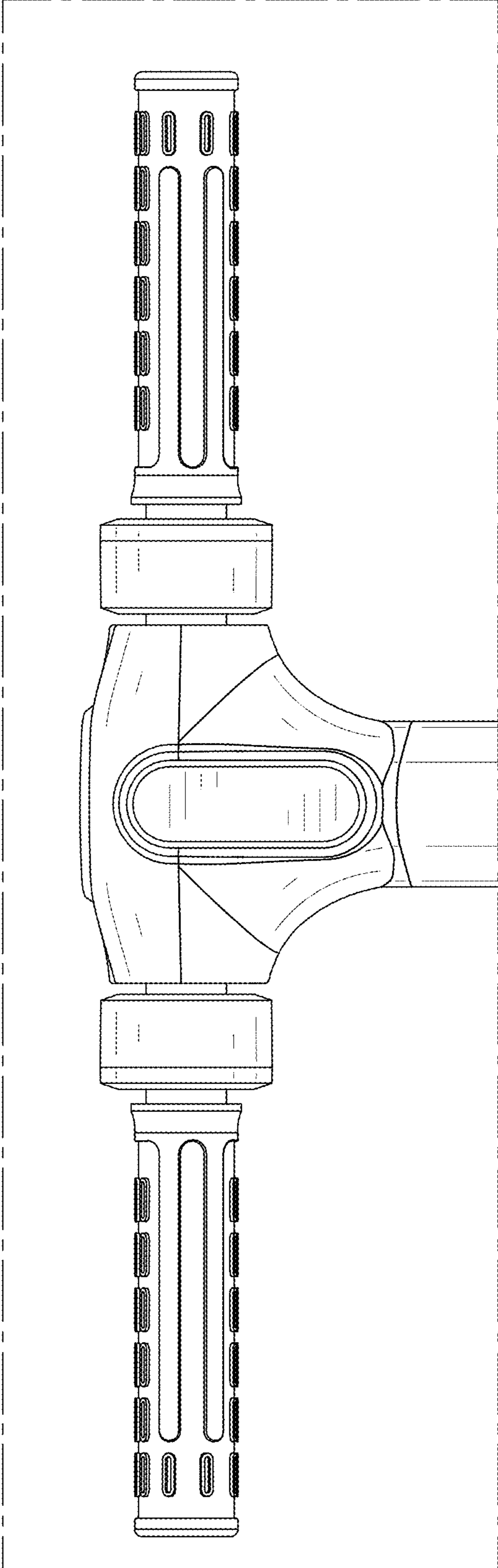


FIG. 14

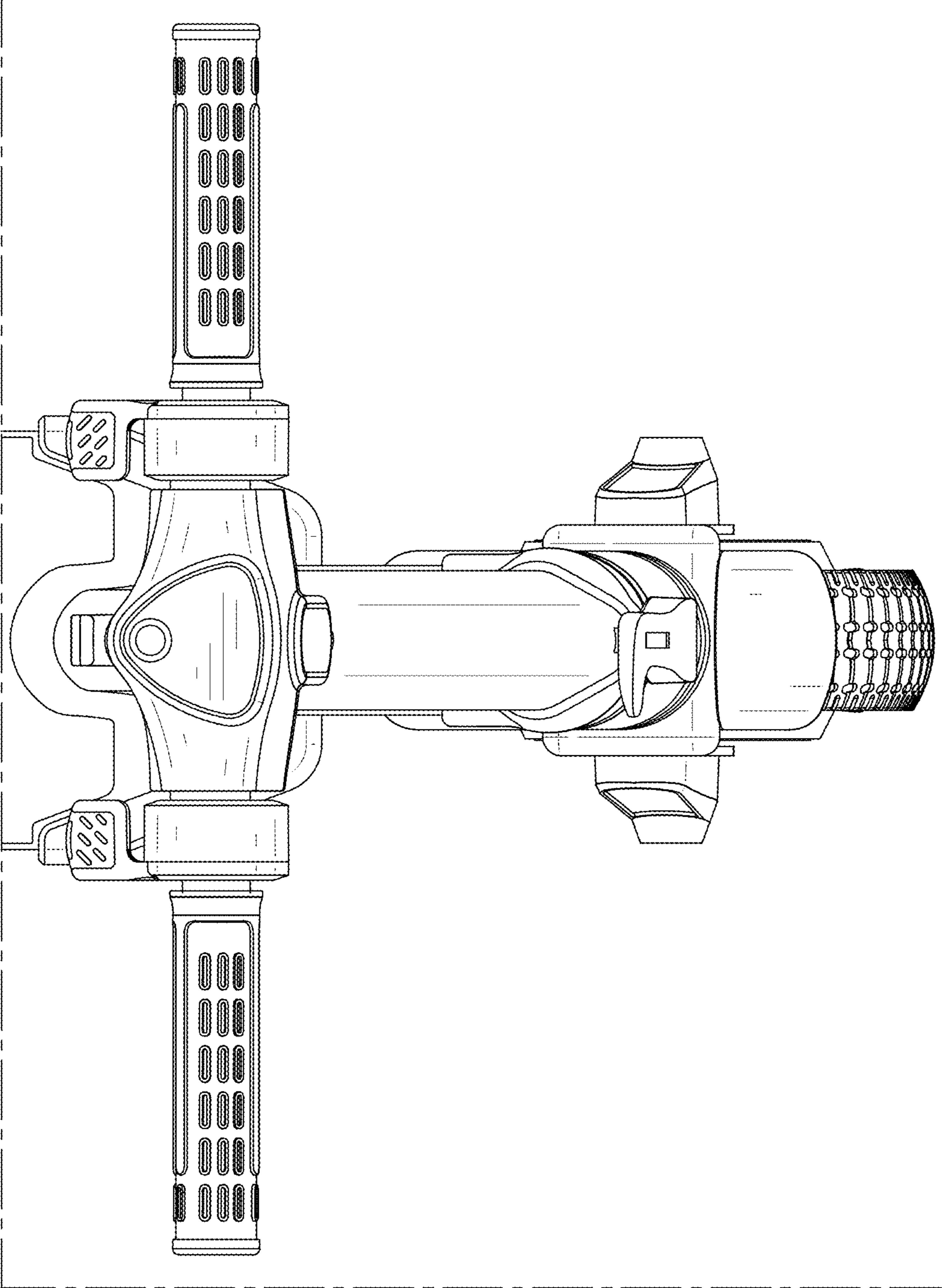


FIG. 15