



US00D901594S

(12) **United States Design Patent** (10) **Patent No.:** **US D901,594 S**
Chen (45) **Date of Patent:** **** Nov. 10, 2020**

(54) **BUBBLE WAND**
(71) Applicant: **Bo Chen**, Guangdong (CN)
(72) Inventor: **Bo Chen**, Guangdong (CN)
(73) Assignee: **Shantou P&C Plastic Products Company Limited**, Shantou (CN)

2001/0035413 A1* 11/2001 Thai B65D 47/088
220/213
2006/0116048 A1* 6/2006 Choi A63H 33/28
446/15
2007/0287352 A1* 12/2007 Lin A63H 33/28
446/16
2015/0133020 A1* 5/2015 Lin A63H 33/28
446/15
2019/0111358 A1* 4/2019 Kelly A63H 5/00

(**) Term: **15 Years**

FOREIGN PATENT DOCUMENTS

(21) Appl. No.: **29/703,885**
(22) Filed: **Aug. 30, 2019**
(51) **LOC (12) Cl.** **21-01**
(52) **U.S. Cl.**
USPC **D21/402**
(58) **Field of Classification Search**
USPC D21/402, 523, 526, 532, 567-575;
446/15-21
CPC A63H 33/28
See application file for complete search history.

CN 302191289 * 11/2012
CN 303468006 * 11/2015
CN 303533183 * 12/2015
CN 304159401 * 6/2017

* cited by examiner

Primary Examiner — Catherine A Tuttle
(74) *Attorney, Agent, or Firm* — Minder Law Group;
Willy H. Wong

(57) **CLAIM**

The ornamental design for a bubble wand, as shown and described.

(56) **References Cited**

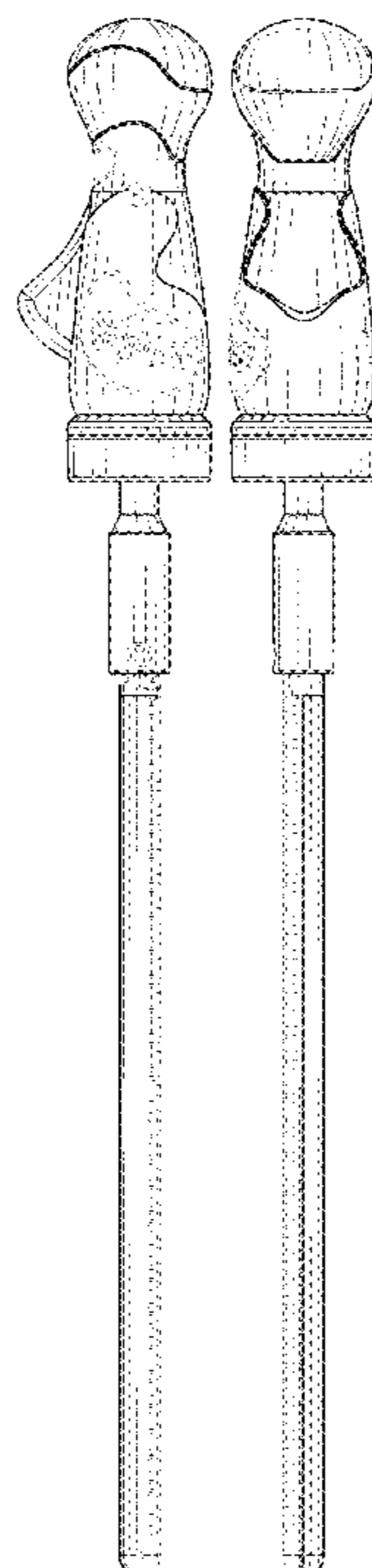
DESCRIPTION

U.S. PATENT DOCUMENTS

5,183,428 A * 2/1993 Lin A63H 33/28
446/15
D336,659 S * 6/1993 Lin 401/195
5,478,267 A * 12/1995 McDonald A63H 33/28
340/604
D423,583 S * 4/2000 Schimmel D19/122
D424,113 S * 5/2000 Gootnick D19/126
D426,264 S * 6/2000 Schimmel D19/122
D430,228 S * 8/2000 Chu D21/401
D583,878 S * 12/2008 Lo D21/402
D662,994 S * 7/2012 Wang D21/402
D708,271 S * 7/2014 Lo D21/402

FIG. 1 is a left side view of a bubble wand showing my new design.
FIG. 2 is a right side view thereof.
FIG. 3 is a bottom view thereof.
FIG. 4 is a top view thereof.
FIG. 5 is a rear view thereof; and,
FIG. 6 is a front view thereof.
The broken lines show portions of the bubble wand that form no part of the claimed design.

1 Claim, 3 Drawing Sheets



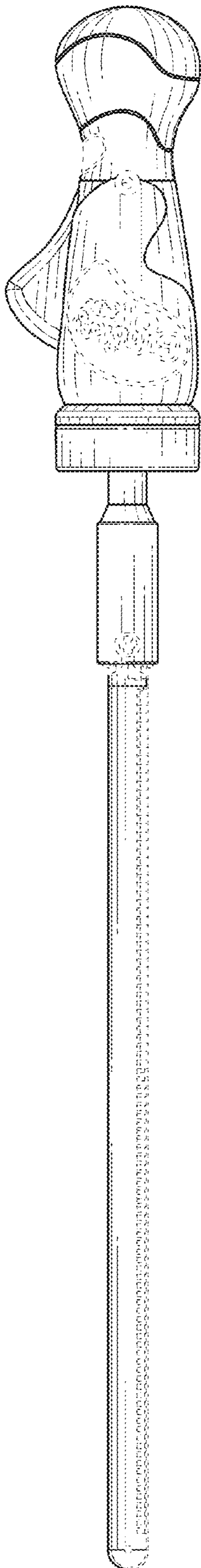


FIG. 1

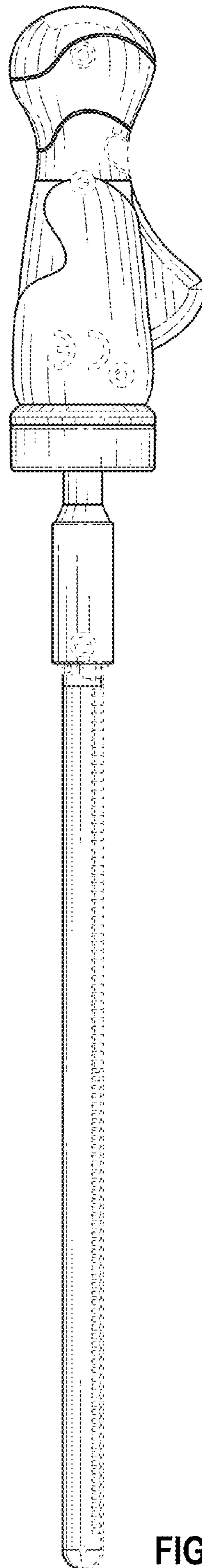


FIG. 2

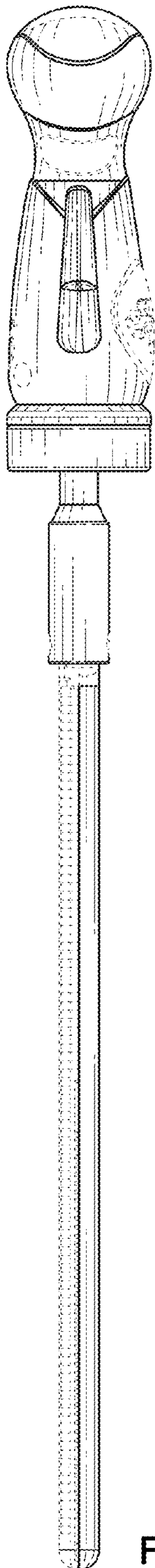


FIG. 3

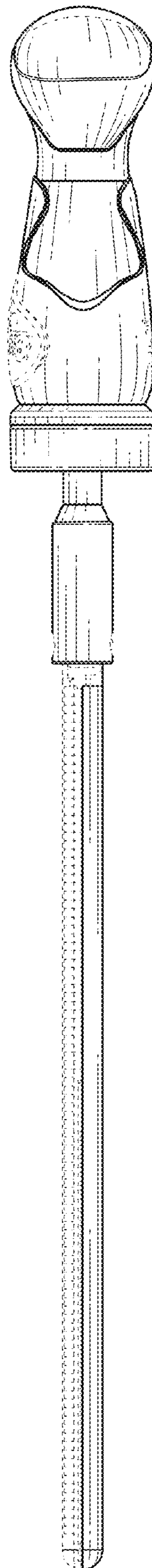


FIG. 4

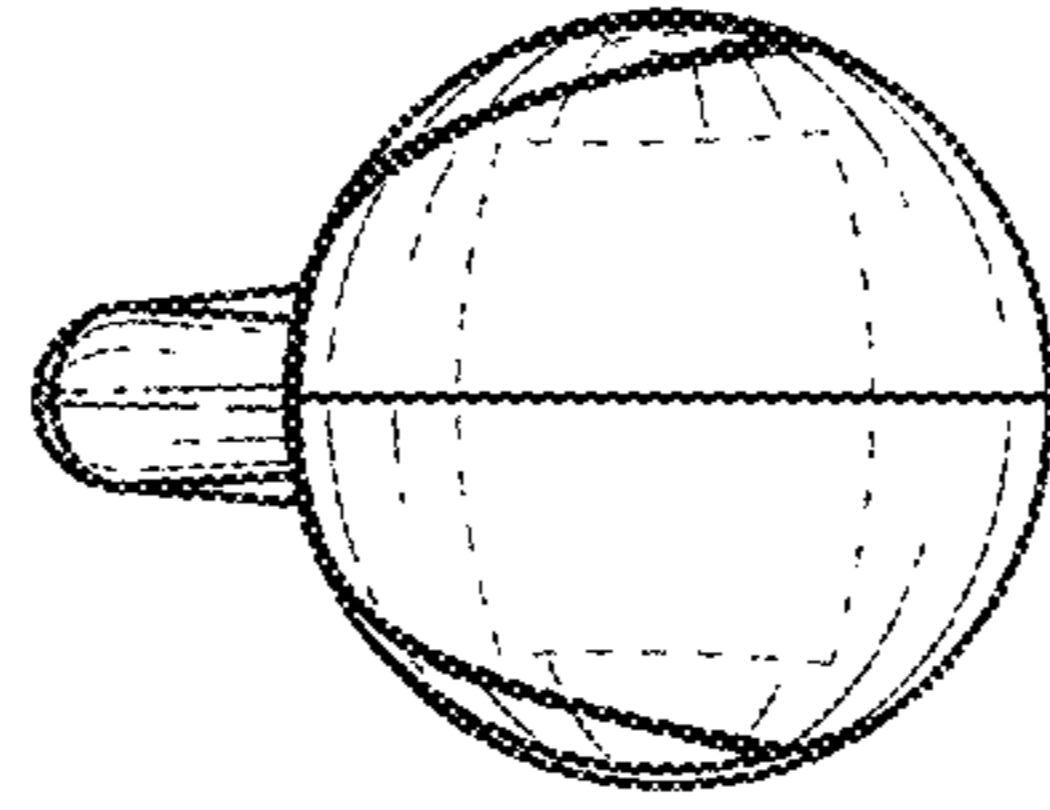


FIG. 5

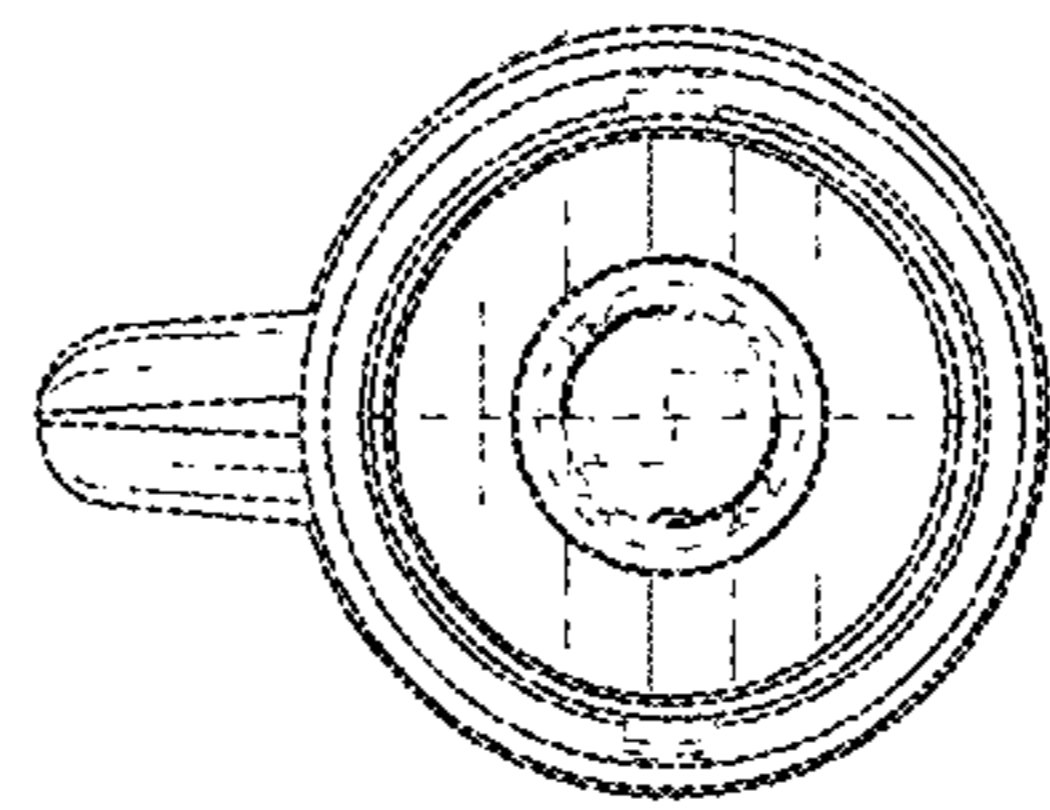


FIG. 6