



US00D901593S

(12) **United States Design Patent** (10) **Patent No.:** **US D901,593 S**
Richards et al. (45) **Date of Patent:** **** Nov. 10, 2020**

(54) **COMBINED MARINE SHIFT AND THROTTLE CONTROL**

(56) **References Cited**

U.S. PATENT DOCUMENTS

(71) Applicant: **Marine Acquisition (US) Incorporated**, Limerick, PA (US)
(72) Inventors: **Jason Richards**, Pottstown, PA (US); **Matt Green**, Macungie, PA (US); **Tom Ward**, Downingtown, PA (US); **David Wolfe**, Hatfield, PA (US); **Steven Bizzarro**, Macungie, PA (US); **Thomas-Éric Béliveau**, Danville (CA); **Olivier Patry**, Montreal (CA); **Antoine Dallaire**, Montreal (CA)

5,062,516 A * 11/1991 Prince B63H 21/213
477/111
5,967,867 A * 10/1999 Rinzaki B63H 21/213
440/84
D510,311 S * 10/2005 Rick D12/317
D510,556 S * 10/2005 Rick D12/317
D510,557 S * 10/2005 Rick D12/317
D510,558 S * 10/2005 Rick D12/317
D510,559 S * 10/2005 Rick D12/317
6,979,278 B2 * 12/2005 Rick B63H 21/213
477/111
D554,080 S * 10/2007 Iekura D13/168
D592,605 S * 5/2009 Iekura D13/168
D663,252 S * 7/2012 Bondesson D12/317
D689,424 S * 9/2013 Park D12/317
D710,781 S * 8/2014 Park D12/317
D746,758 S * 1/2016 Dannenberg D12/317
D834,492 S * 11/2018 Uchiyama D12/317

(73) Assignee: **Marine Acquisition (US) Incorporated**, Limerick, PA (US)

(**) Term: **15 Years**

* cited by examiner

(21) Appl. No.: **29/683,157**

Primary Examiner — Cynthia M. Chin

(22) Filed: **Mar. 11, 2019**

(74) *Attorney, Agent, or Firm* — Westberg Law Offices

Related U.S. Application Data

(57) **CLAIM**

The ornamental design for a combined marine shift and throttle control, as shown and described.

(63) Continuation-in-part of application No. 29/579,773, filed on Oct. 3, 2016, now Pat. No. Des. 888,646.

DESCRIPTION

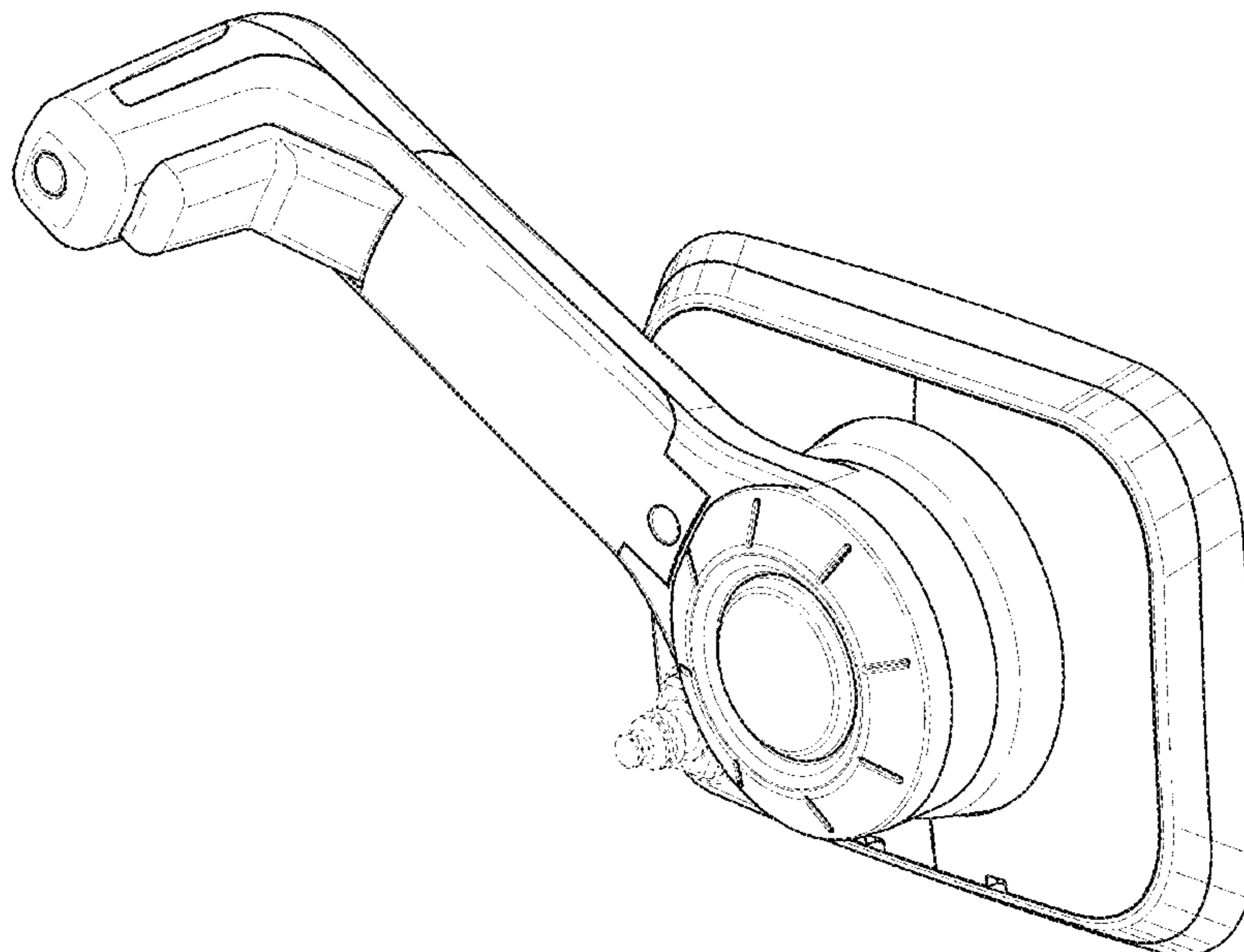
(51) **LOC (12) Cl.** **12-06**

(52) **U.S. Cl.**
USPC **D21/317**

(58) **Field of Classification Search**
USPC D12/174, 178–180, 300, 301, 303–315, D12/317, 318; D10/49; D13/134, 162, D13/168, 169, 173
CPC B62H 21/21; B62H 21/213; B62H 21/22; B62H 21/265
See application file for complete search history.

FIG. 1 is a front, side perspective view of our design; FIG. 2 is a front elevational view thereof; FIG. 3 is a rear elevational view thereof; FIG. 4 is a side elevational view thereof; FIG. 5 is a side elevational view from the side opposite to that of FIG. 4; FIG. 6 is a top plan view thereof; and, FIG. 7 is a bottom plan view thereof.
The broken lines are for the purpose of illustrating portions of the article that form no part of the claimed design.

1 Claim, 7 Drawing Sheets



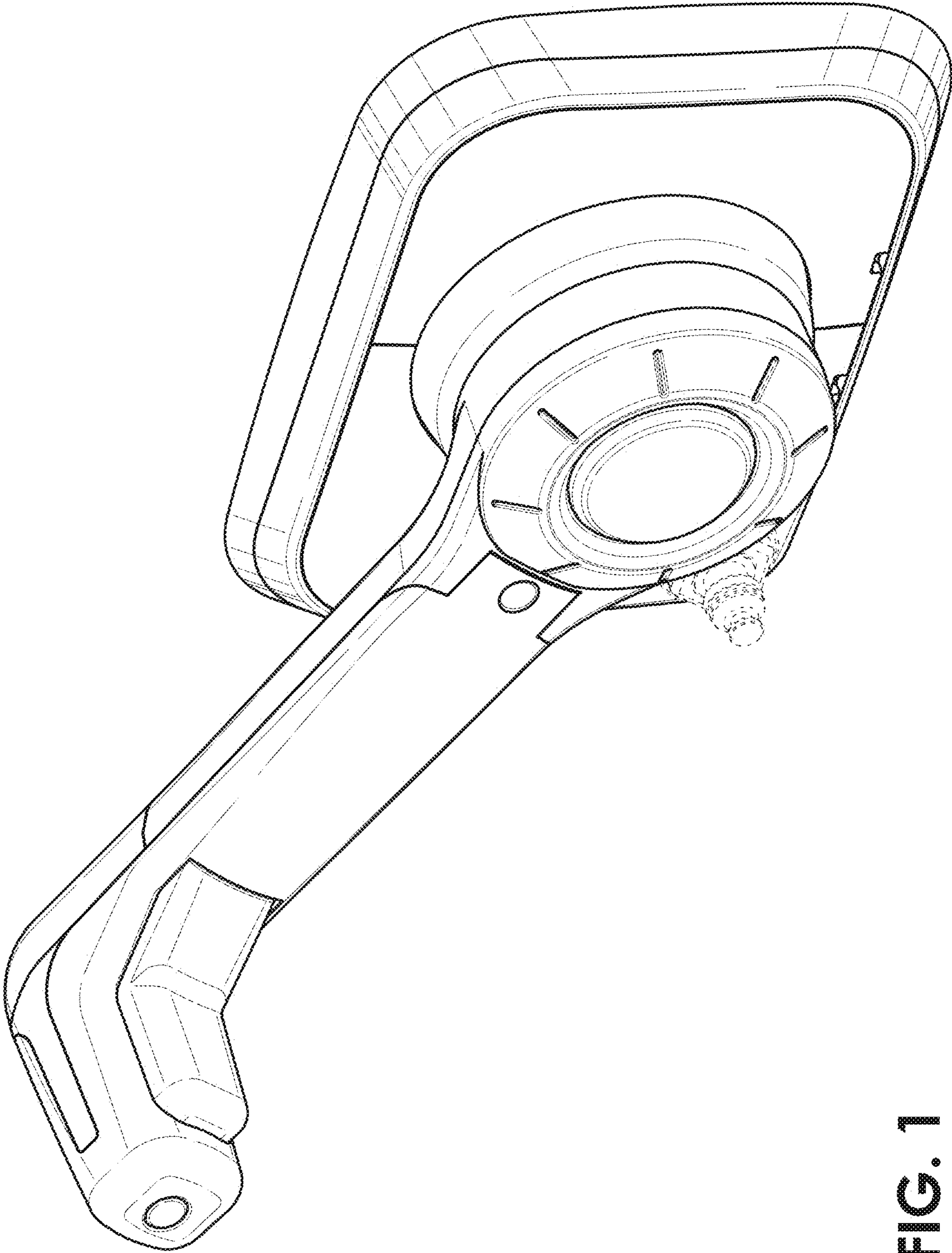


FIG. 1

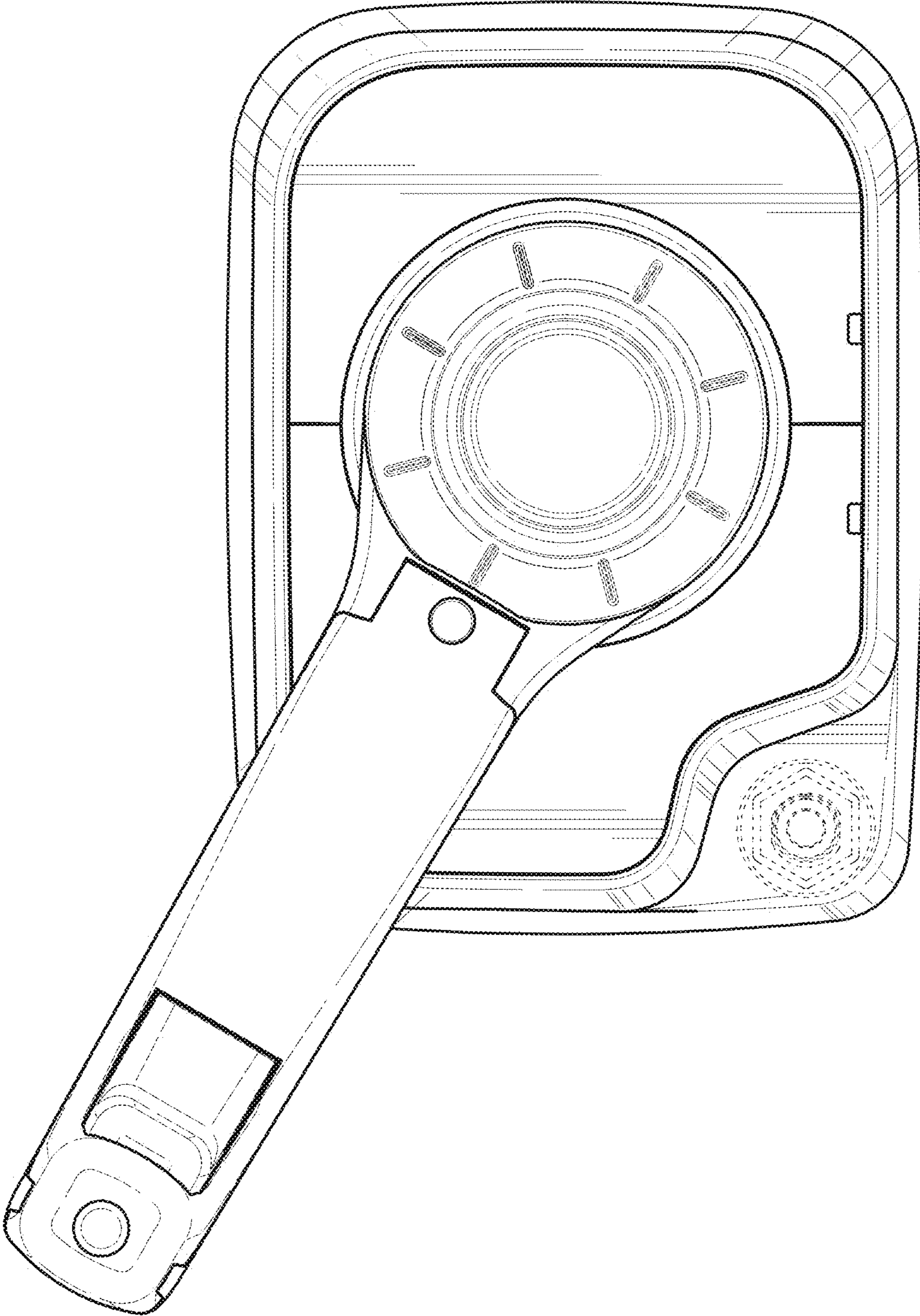


FIG. 2

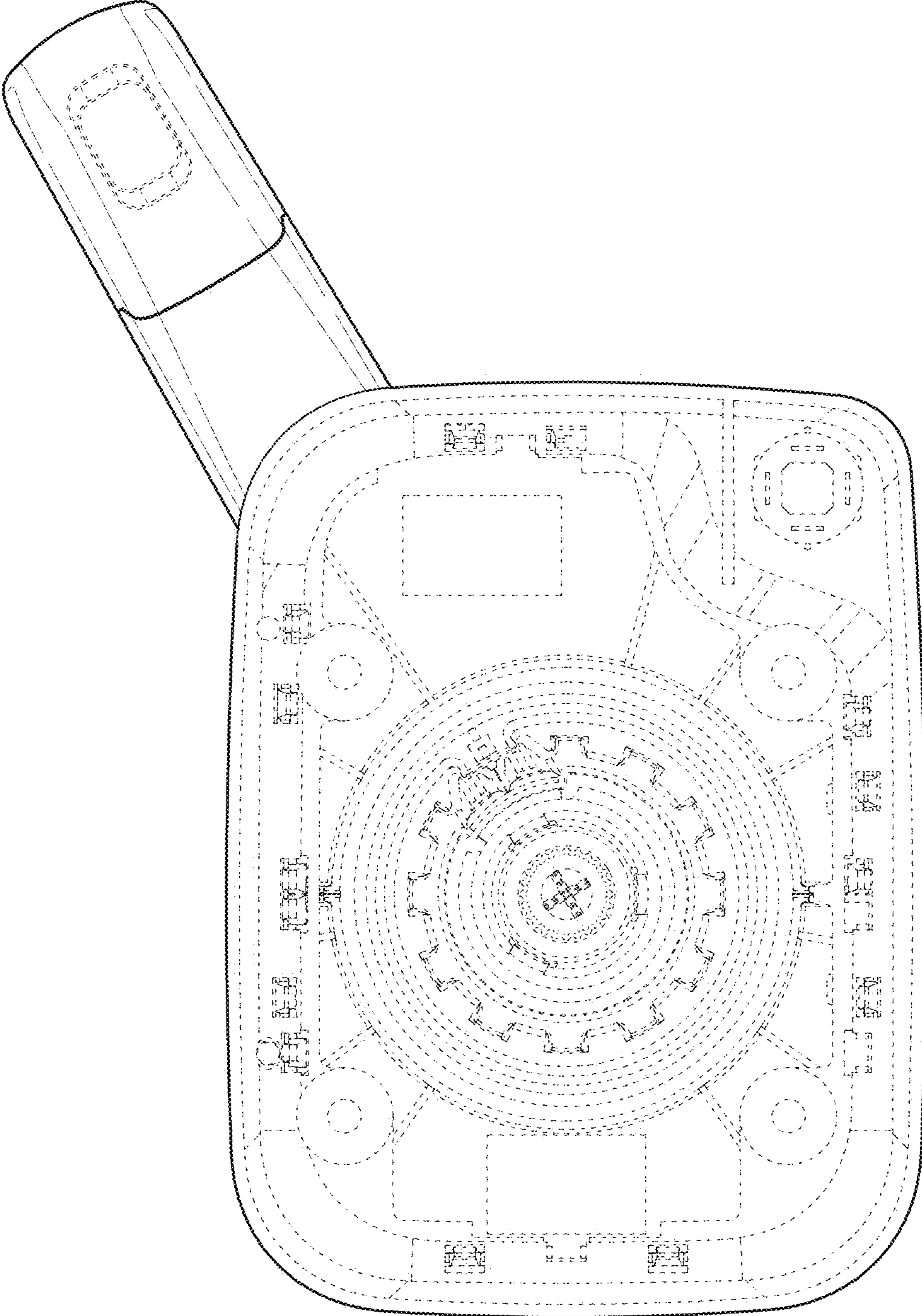


FIG. 3

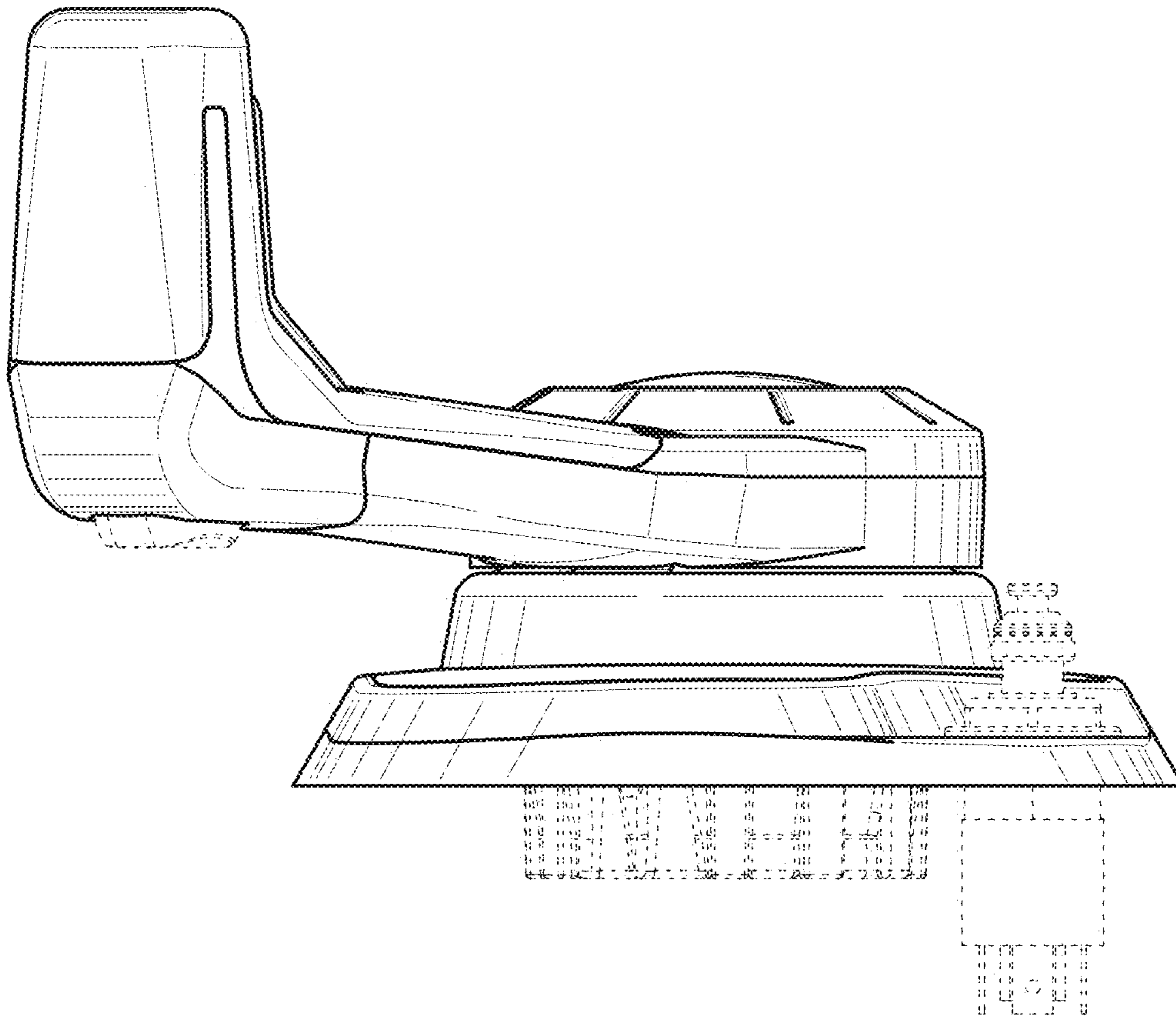


FIG. 4

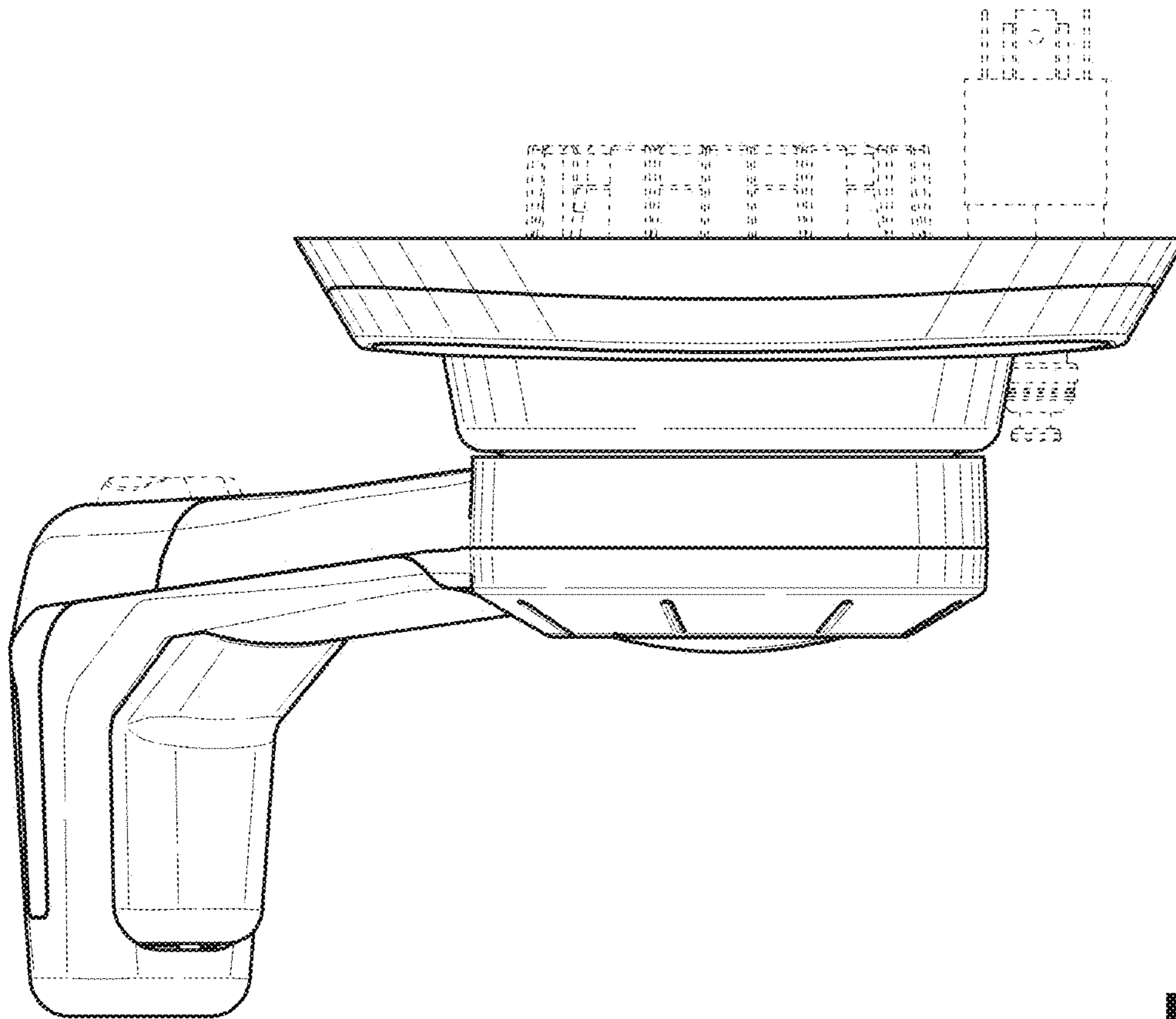


FIG. 5

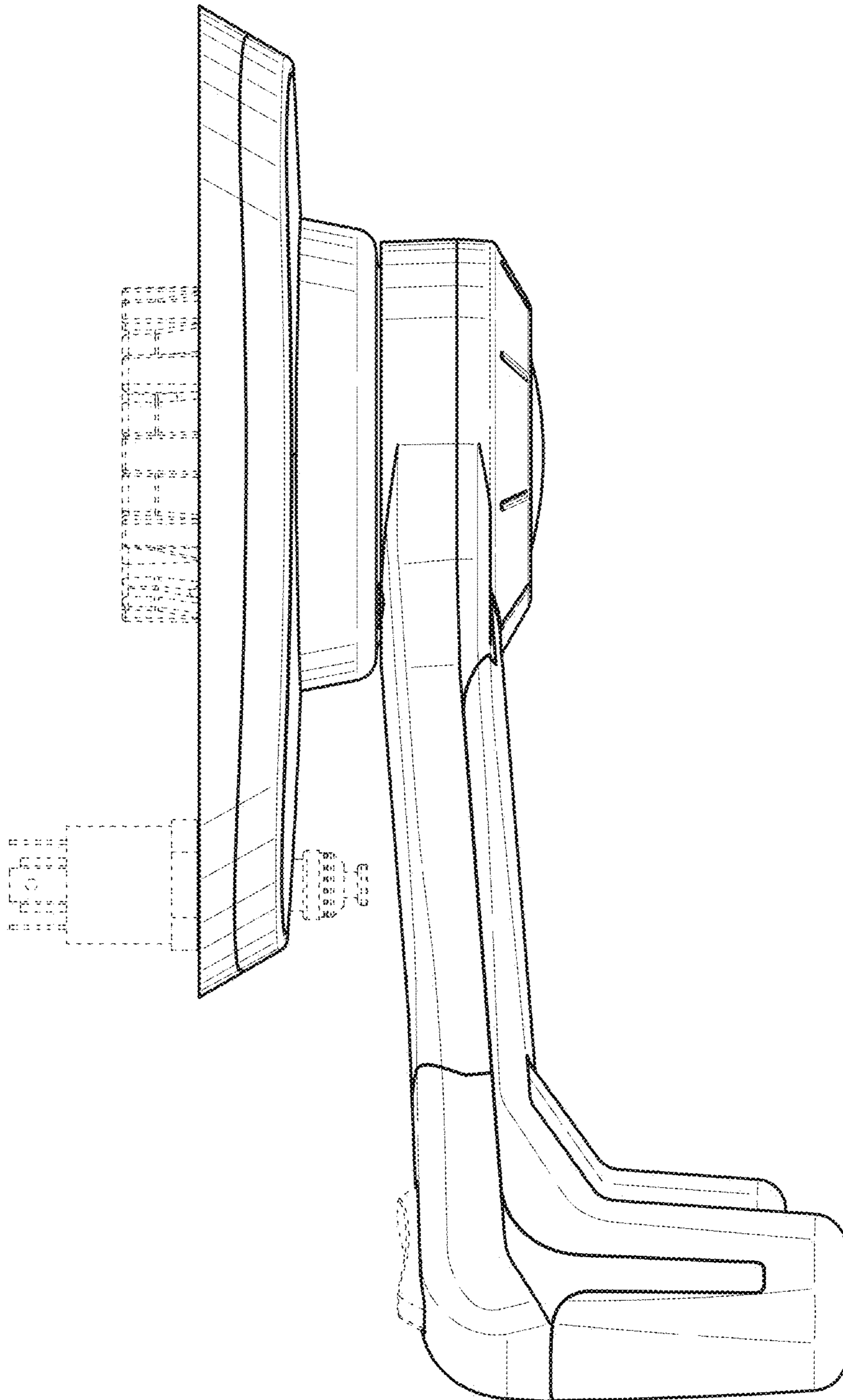


FIG. 6

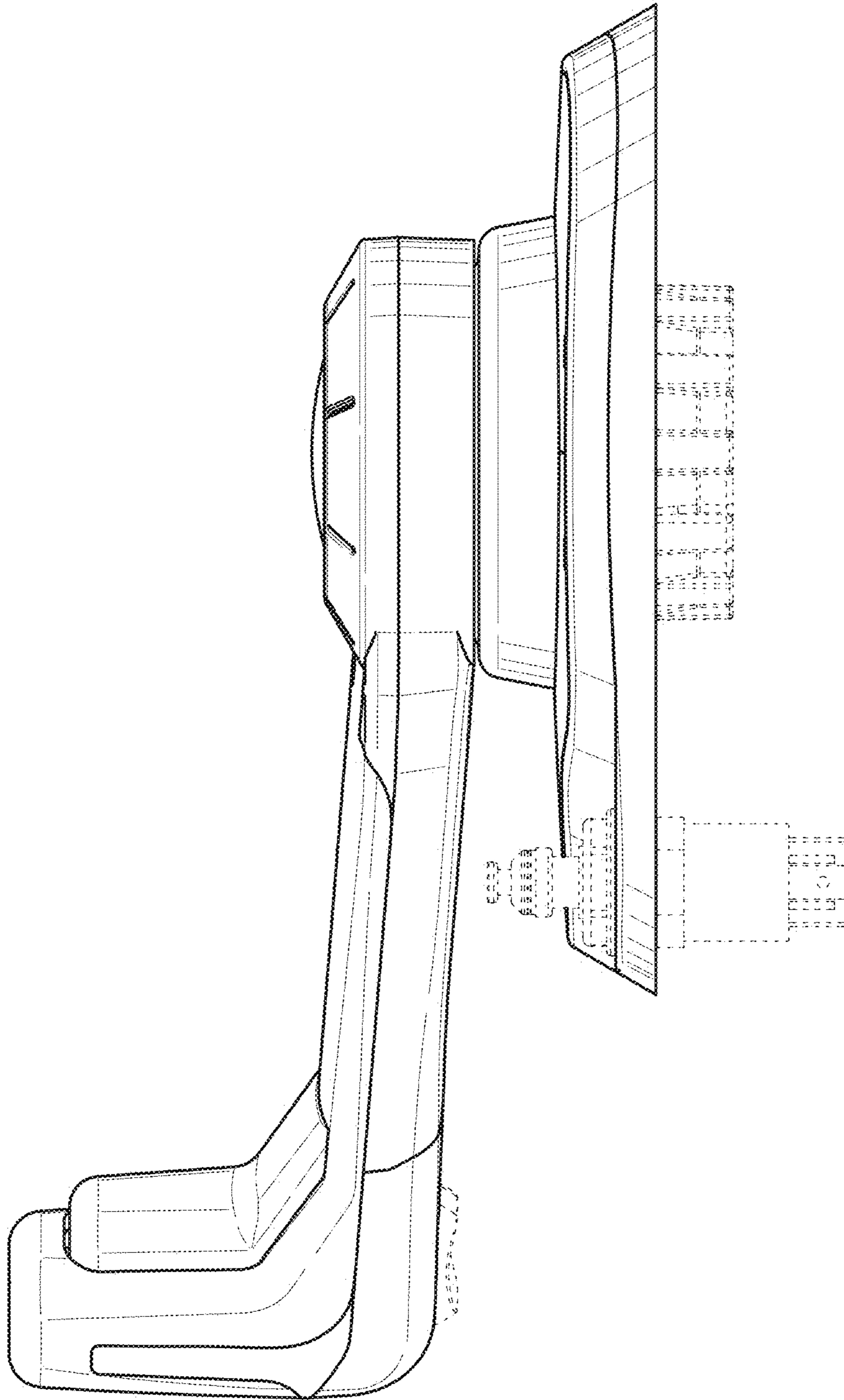


FIG. 7