



US00D901591S

(12) **United States Design Patent** (10) **Patent No.:** **US D901,591 S**
Elmer (45) **Date of Patent:** **** Nov. 10, 2020**

- (54) **VEHICLE-MOUNTED SIGN**
- (71) Applicant: **Steven W. Elmer**, Winter Park, FL (US)
- (72) Inventor: **Steven W. Elmer**, Winter Park, FL (US)
- (**) Term: **15 Years**
- (21) Appl. No.: **29/677,001**
- (22) Filed: **Jan. 16, 2019**
- (51) **LOC (12) Cl.** **20-03**
- (52) **U.S. Cl.**
USPC **D20/10**
- (58) **Field of Classification Search**
USPC D10/109.1, 109.2, 113.4; D11/165, 166, D11/181, 182; D20/10, 19, 21, 29, 37, D20/39, 40, 41, 42, 43, 99
CPC G09F 7/00; G09F 7/12; G09F 7/14; G09F 7/16; G09F 7/18; G09F 2007/122; G09F 2007/1804; G09F 2007/1834; G09F 2007/1886; G09F 9/00; G09F 13/00; G09F 13/02; G09F 13/04; G09F 13/0018; G09F 13/22; G09F 2003/1895; G09F 15/00; G09F 15/0037; G09F 15/02; G09F 15/025; G09F 17/00; G09F 2007/0075; G09F 23/00
See application file for complete search history.

(56) **References Cited**

U.S. PATENT DOCUMENTS

| | | | | |
|---------------|---------|--------|-------|----------------------|
| D230,320 S * | 2/1974 | Lowery | | D19/65 |
| D256,419 S * | 8/1980 | Hom | | D19/67 |
| D290,620 S * | 6/1987 | Elmer | | D20/10 |
| 4,787,163 A * | 11/1988 | Berg | | G09F 21/04 40/464 |
| D327,333 S * | 6/1992 | Elmer | | D20/10 |
| D328,143 S * | 7/1992 | Elmer | | D20/10 |
| D359,515 S * | 6/1995 | Kinart | | D20/42 |

| | | | | |
|---------------|---------|-----------|-------|------------------------|
| D368,934 S * | 4/1996 | Elmer | | D20/42 |
| D388,126 S * | 12/1997 | Rath | | D20/10 |
| D425,812 S * | 5/2000 | Bodo | | D10/113.4 |
| 6,056,425 A * | 5/2000 | Appelberg | | B60Q 1/2611 362/493 |
| D427,638 S * | 7/2000 | Collins | | D20/10 |
| D429,766 S * | 8/2000 | Elmer | | D20/10 |
| D496,966 S * | 10/2004 | Ulrich | | D20/42 |
| D518,107 S * | 3/2006 | Nuzzo | | D20/21 |
| D520,395 S * | 5/2006 | Lazalier | | D10/113.4 |
| D567,876 S * | 4/2008 | Au | | D20/10 |
| D568,941 S * | 5/2008 | Elmer | | D20/10 |
| D573,499 S * | 7/2008 | King | | D10/111 |
| D617,384 S * | 6/2010 | Elmer | | D20/10 |
| D648,806 S * | 11/2011 | Wood | | D20/22 |
| D654,540 S * | 2/2012 | Zarelius | | D20/43 |
| D655,348 S * | 3/2012 | Cooper | | D20/43 |
| D657,421 S * | 4/2012 | Yan | | D20/10 |

(Continued)

Primary Examiner — Mary Ann Calabrese

Assistant Examiner — Catherine Ho

(74) *Attorney, Agent, or Firm* — Allen Dyer Doppelt & Gilchrist, PA

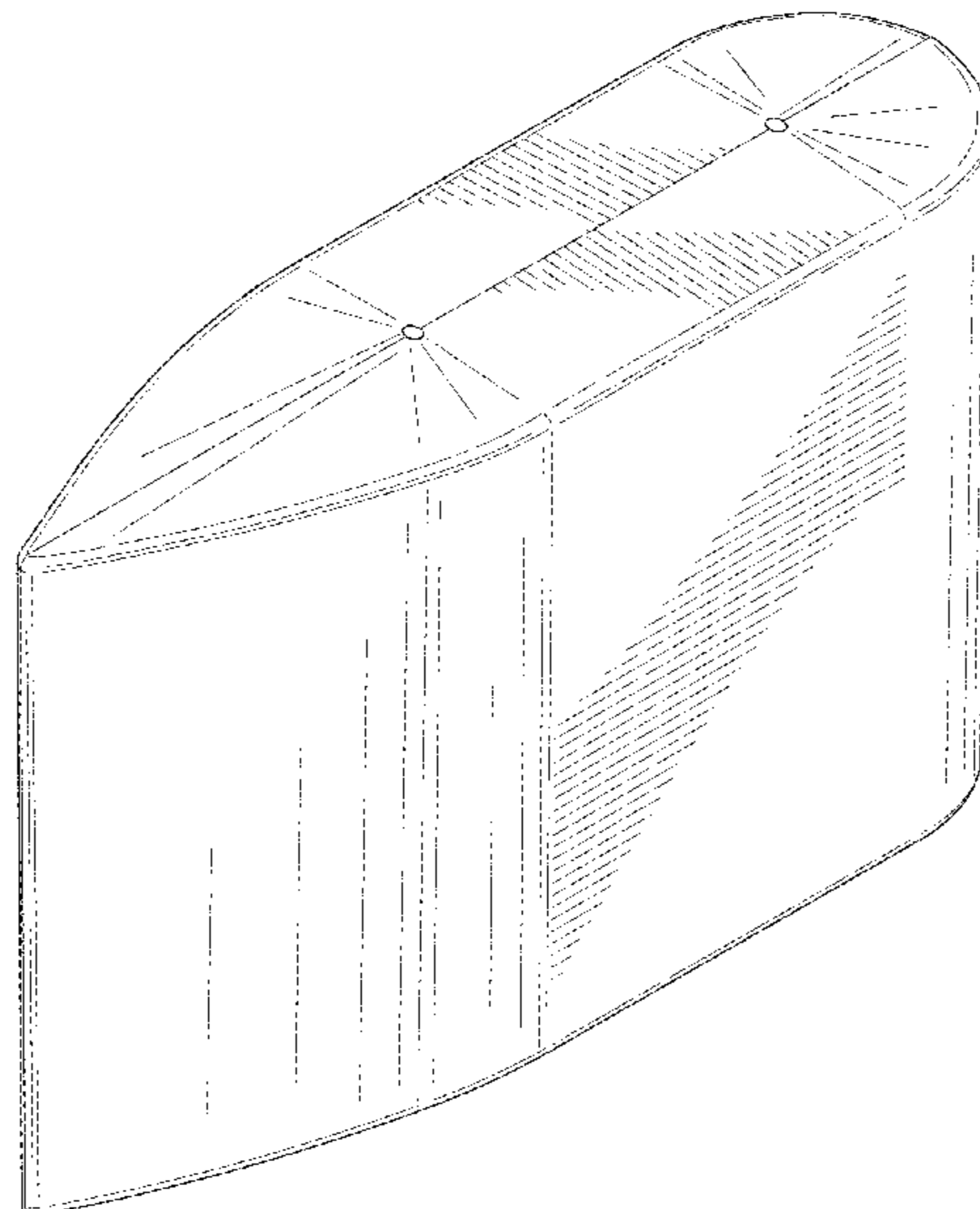
(57) **CLAIM**

The ornamental design for a vehicle-mounted sign, as shown and described.

DESCRIPTION

FIG. 1 is a top, right, front perspective view of a vehicle-mounted sign, showing my new design;
 FIG. 2 is a bottom, right, rear perspective view thereof;
 FIG. 3 is a rear view thereof;
 FIG. 4 is a front view thereof;
 FIG. 5 is a top view thereof;
 FIG. 6 is a bottom view thereof;
 FIG. 7 is a left side view thereof; and,
 FIG. 8 is a right side view thereof.
 The broken line portion of the figure drawings is included to show portions of the article that form no part of the claimed design.

1 Claim, 6 Drawing Sheets



(56)

References Cited

U.S. PATENT DOCUMENTS

D657,422 S * 4/2012 Yan D20/10
RE44,480 E * 9/2013 Elmer G09F 21/04
248/206.5
D695,834 S * 12/2013 Glass D20/10
2015/0101222 A1* 4/2015 Hochfelsen G09F 7/002
40/541

* cited by examiner

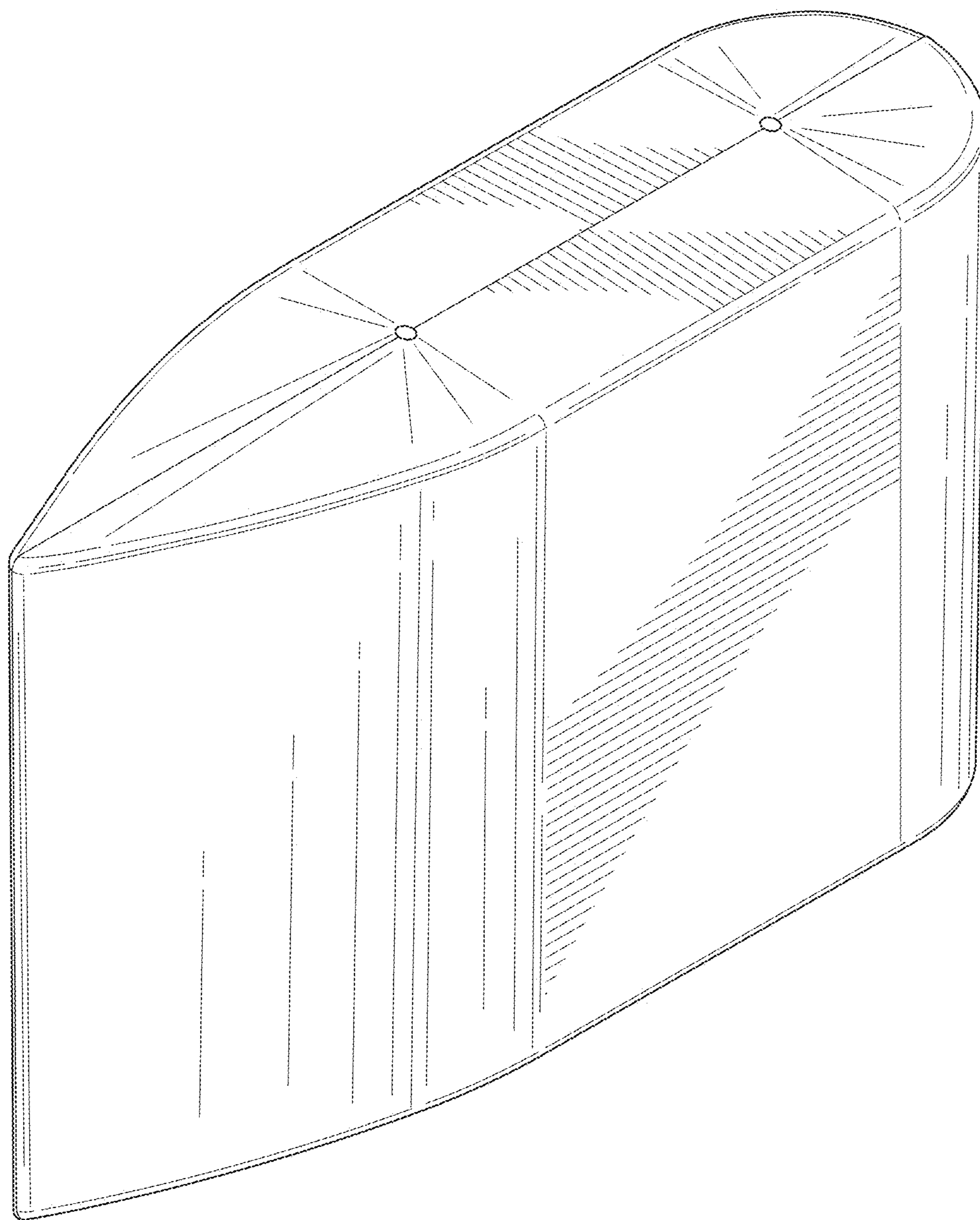


FIG. 1

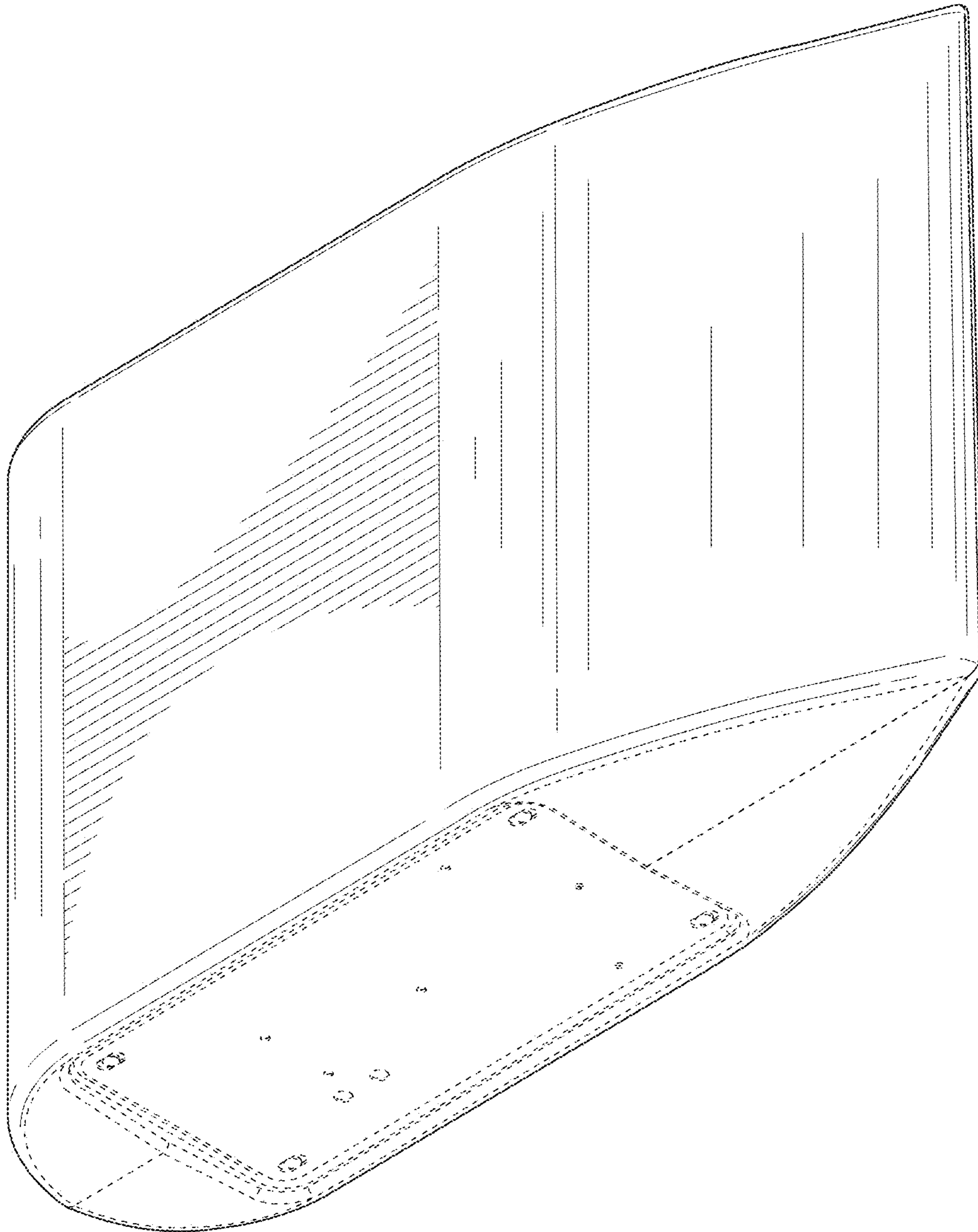


FIG. 2

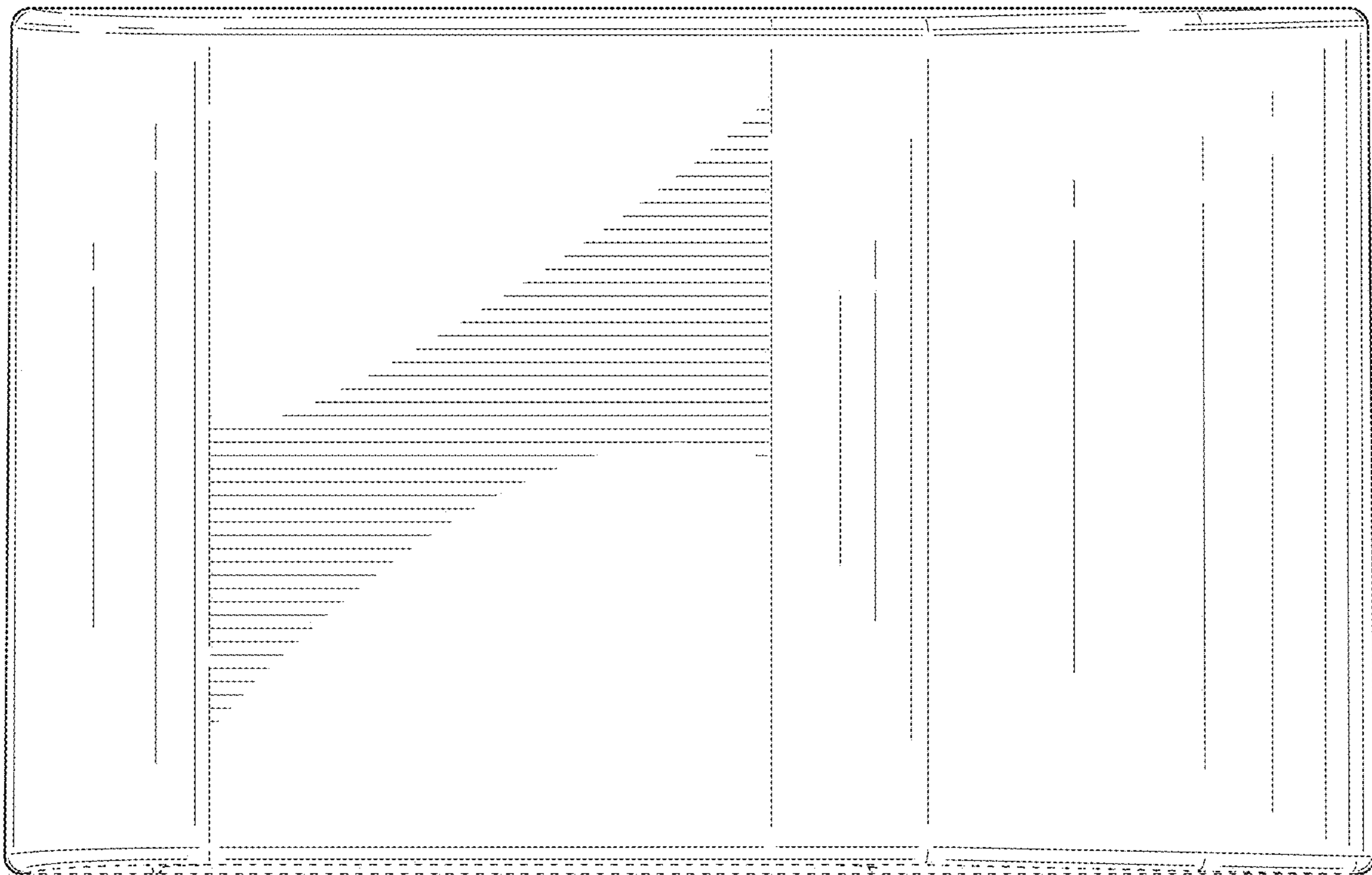


FIG. 3

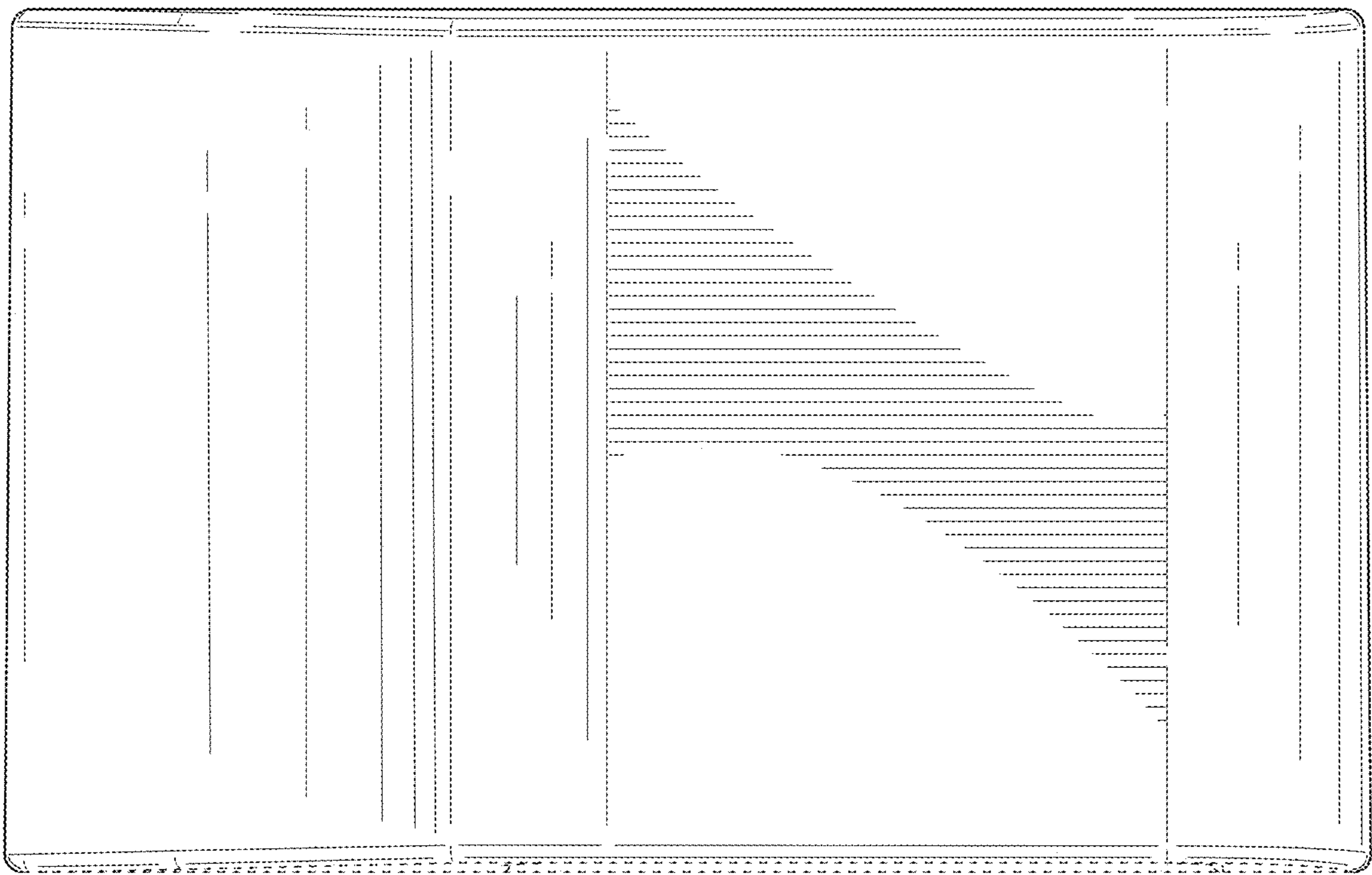


FIG. 4

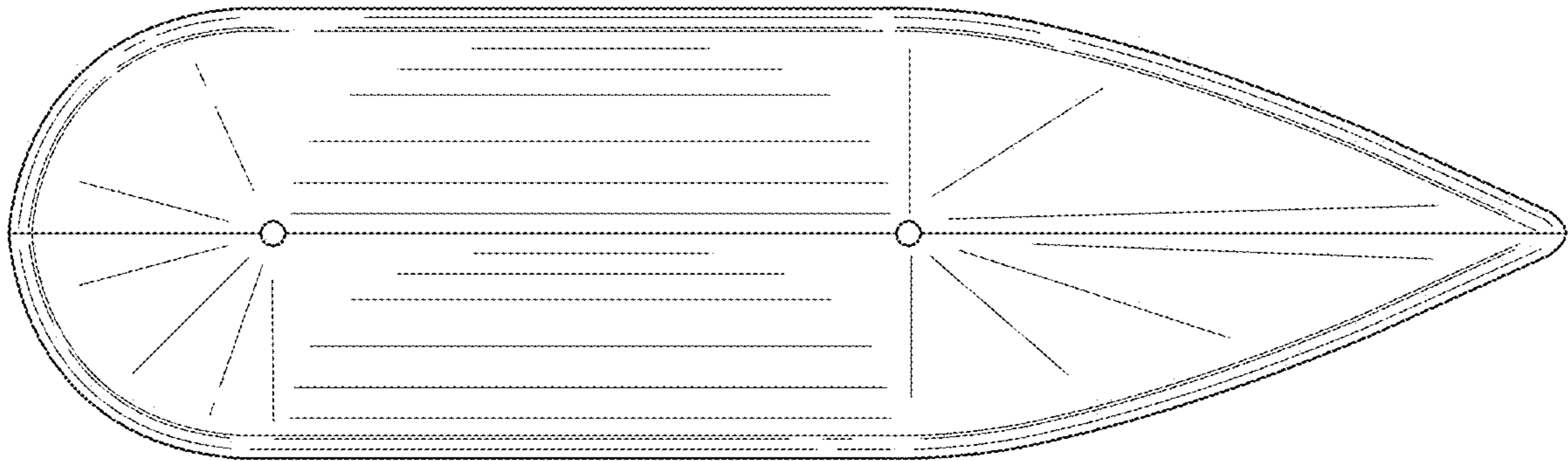


FIG. 5

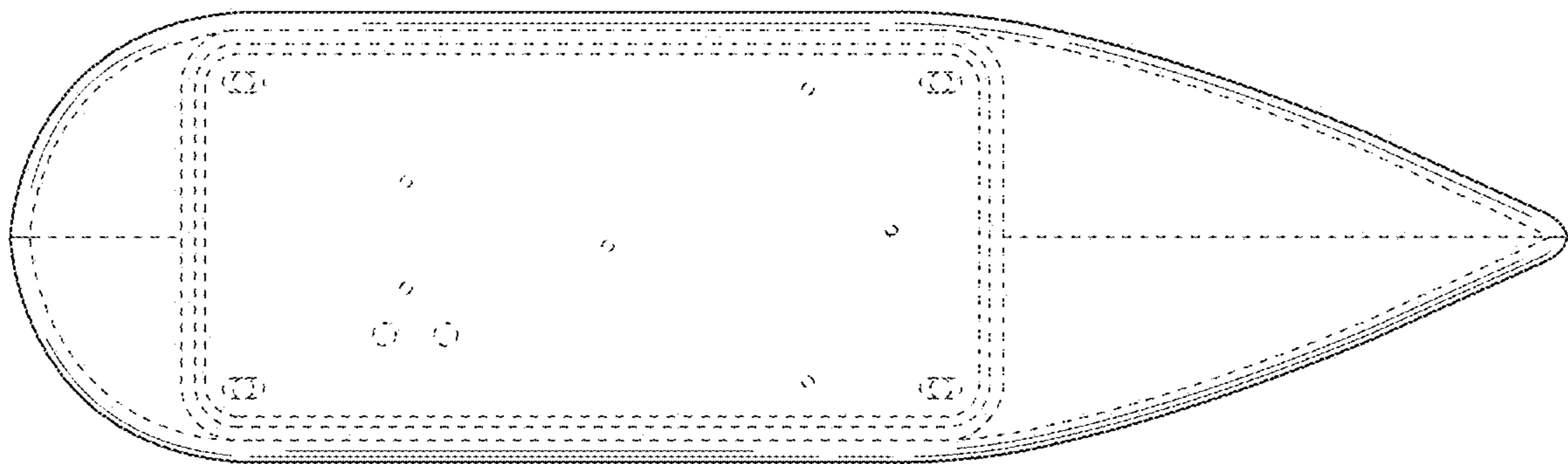


FIG. 6

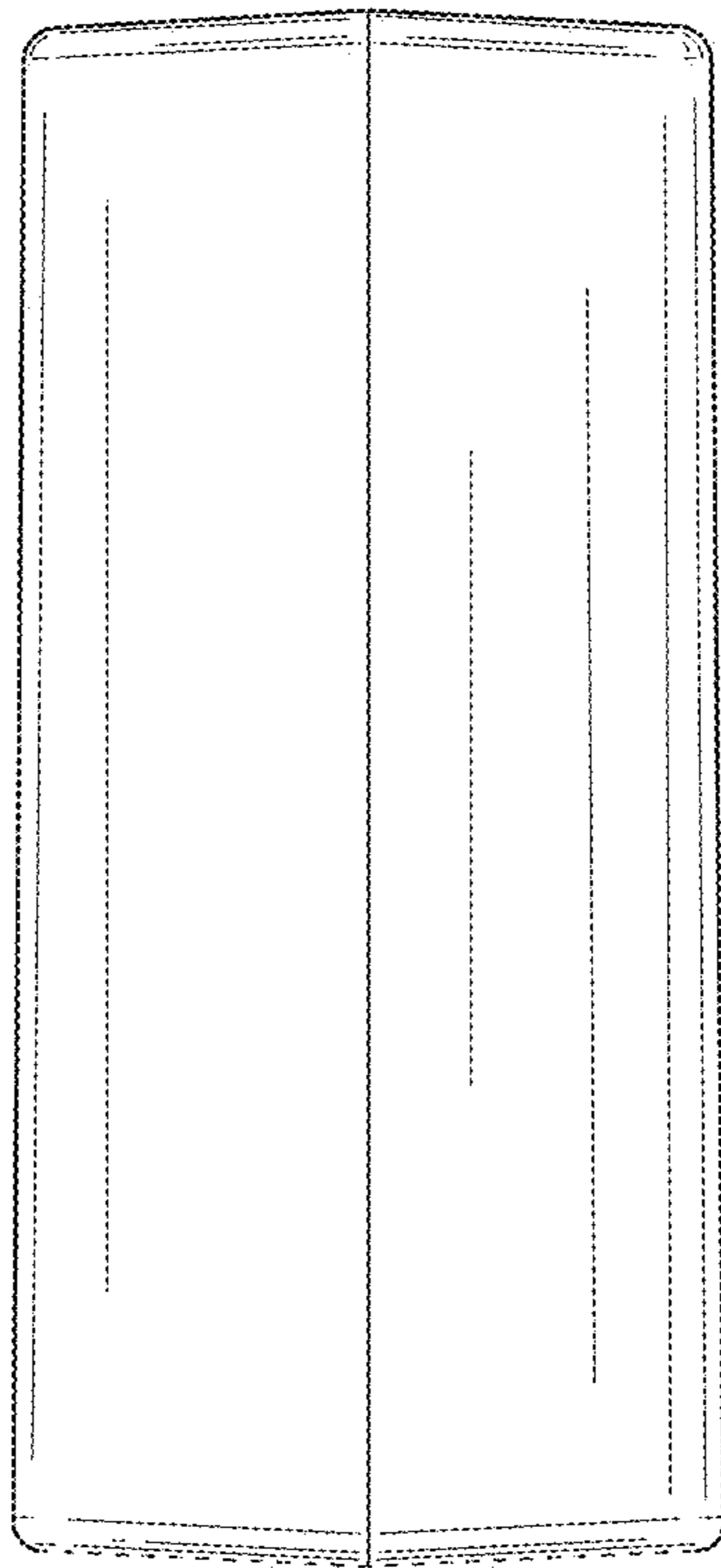


FIG. 7

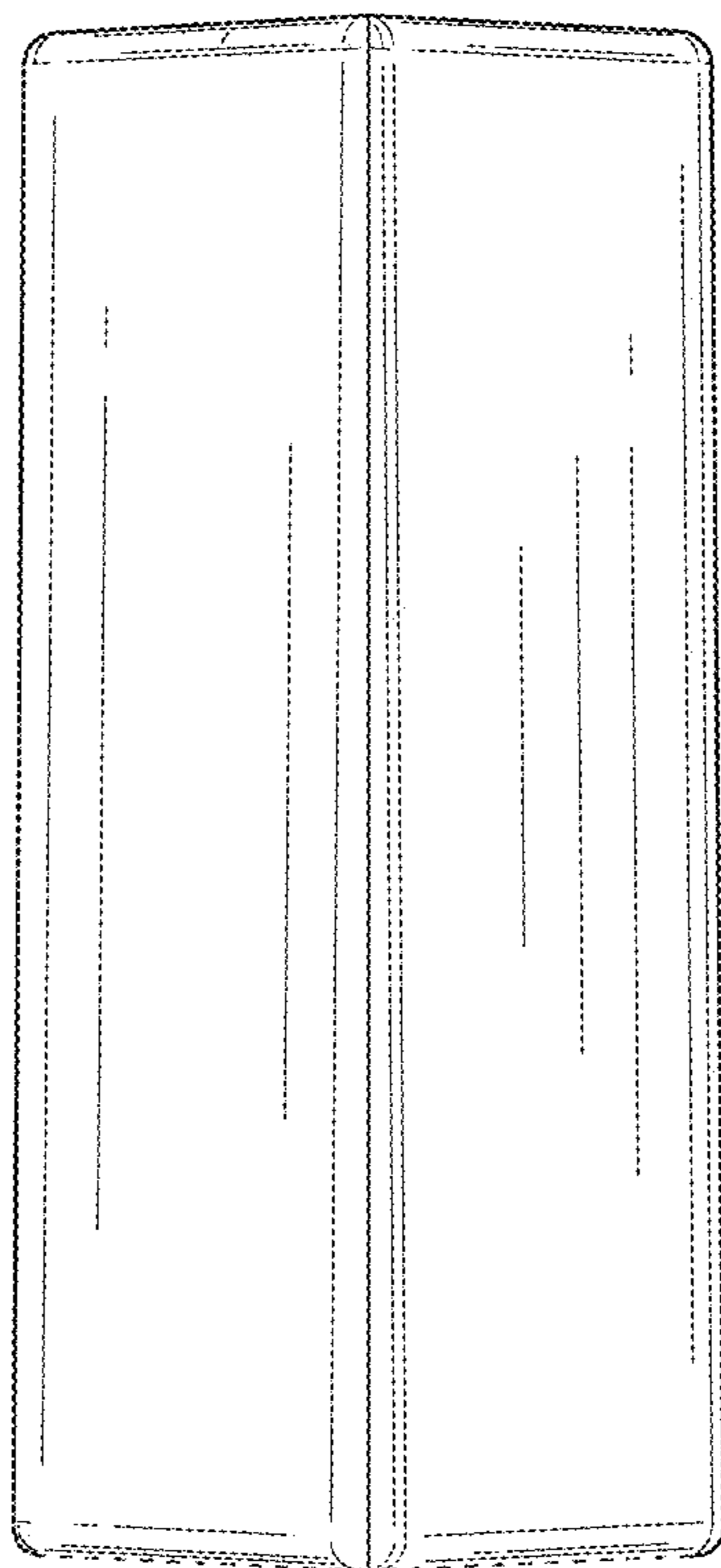


FIG. 8