



US00D901589S

(12) **United States Design Patent** (10) **Patent No.:** **US D901,589 S**
Elmer (45) **Date of Patent:** **** Nov. 10, 2020**

(54) **VEHICLE-MOUNTED SIGN**
(71) Applicant: **Steven W. Elmer**, Winter Park, FL (US)
(72) Inventor: **Steven W. Elmer**, Winter Park, FL (US)
(**) Term: **15 Years**
(21) Appl. No.: **29/676,943**
(22) Filed: **Jan. 16, 2019**
(51) **LOC (12) Cl.** **20-03**
(52) **U.S. Cl.**
USPC **D20/10**
(58) **Field of Classification Search**
USPC D10/109.1, 109.2, 113.4; D11/165, 166, D11/181, 182; D20/10, 19, 21, 29, 37, D20/39, 40, 41, 42, 43, 99
CPC G09F 7/00; G09F 7/12; G09F 7/14; G09F 7/16; G09F 7/18; G09F 2007/122; G09F 2007/1804; G09F 2007/1834; G09F 2007/1886; G09F 9/00; G09F 13/00; G09F 13/02; G09F 13/04; G09F 13/0018; G09F 13/22; G09F 2003/1895; G09F 15/00; G09F 15/0037; G09F 15/02; G09F 15/025; G09F 17/00; G09F 2007/0075; G09F 23/00
See application file for complete search history.

(56) **References Cited**
U.S. PATENT DOCUMENTS
D230,320 S * 2/1974 Lowery D19/65
D256,419 S * 8/1980 Hom D19/67
D290,620 S * 6/1987 Elmer D20/10
4,787,163 A * 11/1988 Berg G09F 21/04
40/464
D327,333 S * 6/1992 Elmer D20/10
D328,143 S * 7/1992 Elmer D20/10
D359,515 S * 6/1995 Kinart D20/42

D368,934 S * 4/1996 Elmer D20/42
D388,126 S * 12/1997 Rath D20/10
D425,812 S * 5/2000 Bodo D10/113.4
6,056,425 A * 5/2000 Appelberg B60Q 1/2611
362/493
D427,638 S * 7/2000 Collins D20/10
D429,766 S * 8/2000 Elmer D20/10
D496,966 S * 10/2004 Ulrich D20/42
D518,107 S * 3/2006 Nuzzo D20/21
D520,395 S * 5/2006 Lazalier D10/113.4
D567,876 S * 4/2008 Au D20/10
D568,941 S * 5/2008 Elmer D20/10
D573,499 S * 7/2008 King D10/111
D617,384 S * 6/2010 Elmer D20/10
D648,806 S * 11/2011 Wood D20/22
D654,540 S * 2/2012 Zarelius D20/43
D655,348 S * 3/2012 Cooper D20/43
D657,421 S * 4/2012 Yan D20/10

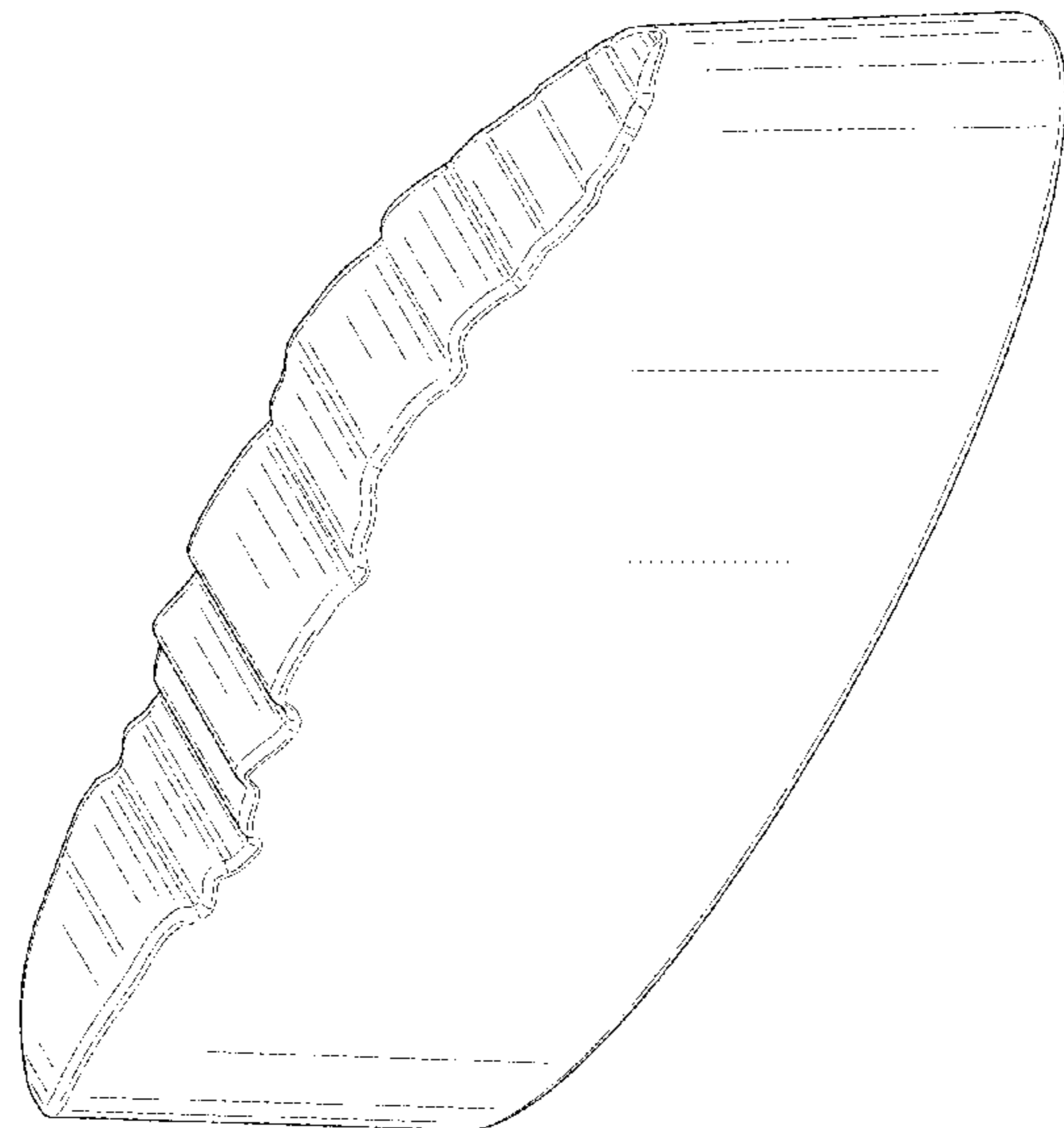
(Continued)

Primary Examiner — Mary Ann Calabrese
Assistant Examiner — Catherine Ho
(74) *Attorney, Agent, or Firm* — Allen Dyer Doppelt & Gilchrist PA

(57) **CLAIM**
The ornamental design for a vehicle-mounted sign, as shown and described.

DESCRIPTION
FIG. 1 is a top, left, front perspective view of a vehicle-mounted sign showing my new design;
FIG. 2 is a bottom, right, front perspective view thereof;
FIG. 3 is a top view thereof;
FIG. 4 is a bottom view thereof;
FIG. 5 is a front view thereof;
FIG. 6 is a rear view thereof;
FIG. 7 is a right side view thereof; and,
FIG. 8 is a left side view thereof.
The broken line portion of the figure drawings is included to show portions of the article that form no part of the claimed design.

1 Claim, 7 Drawing Sheets



(56)

References Cited

U.S. PATENT DOCUMENTS

D657,422 S * 4/2012 Yan D20/10
RE44,480 E * 9/2013 Elmer G09F 21/04
248/206.5
D695,834 S * 12/2013 Glass D20/10
2015/0101222 A1* 4/2015 Hochfelsen G09F 7/002
40/541

* cited by examiner

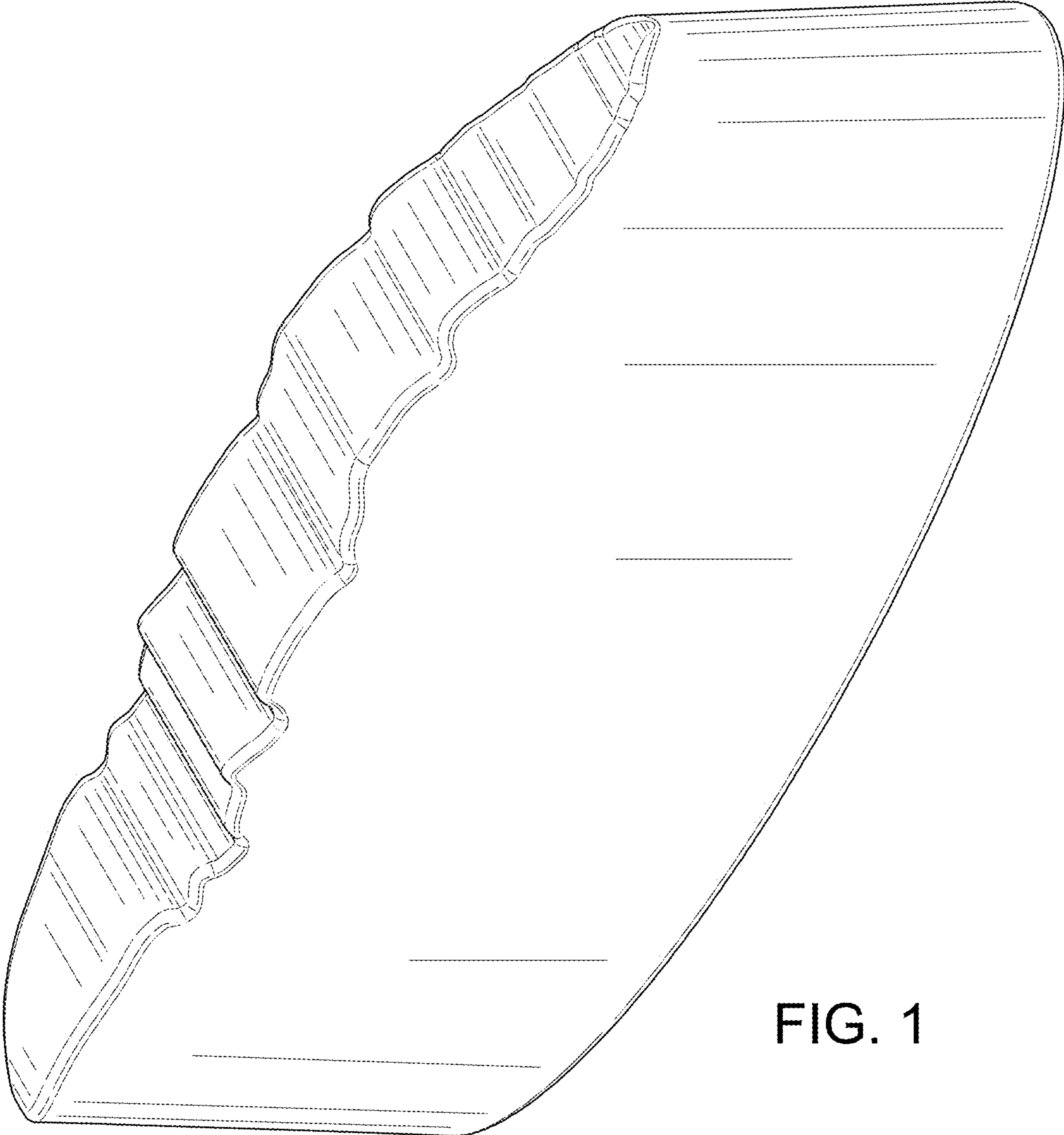


FIG. 1

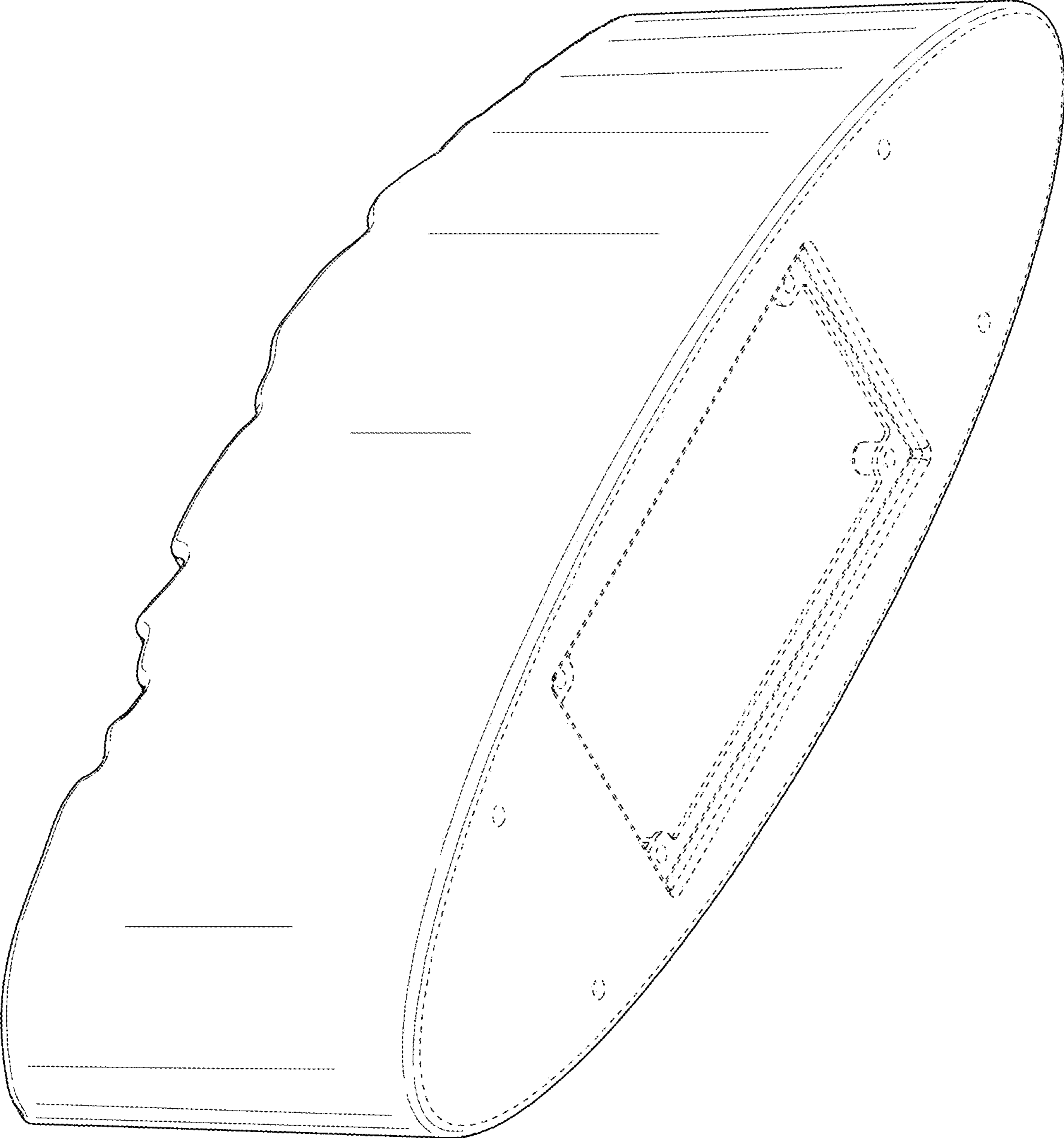


FIG. 2

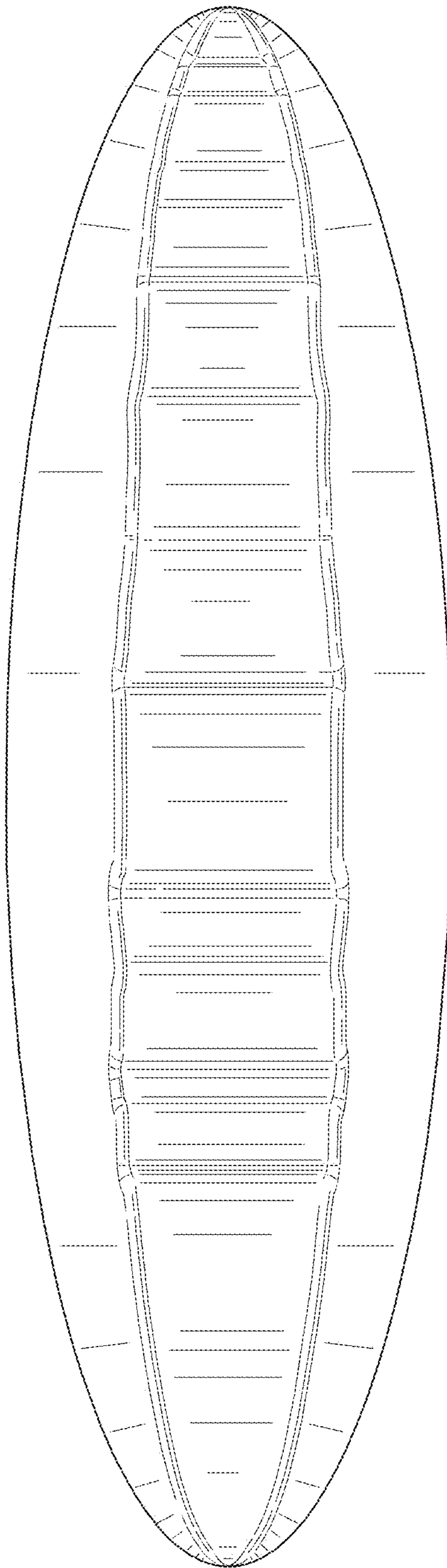


FIG. 3

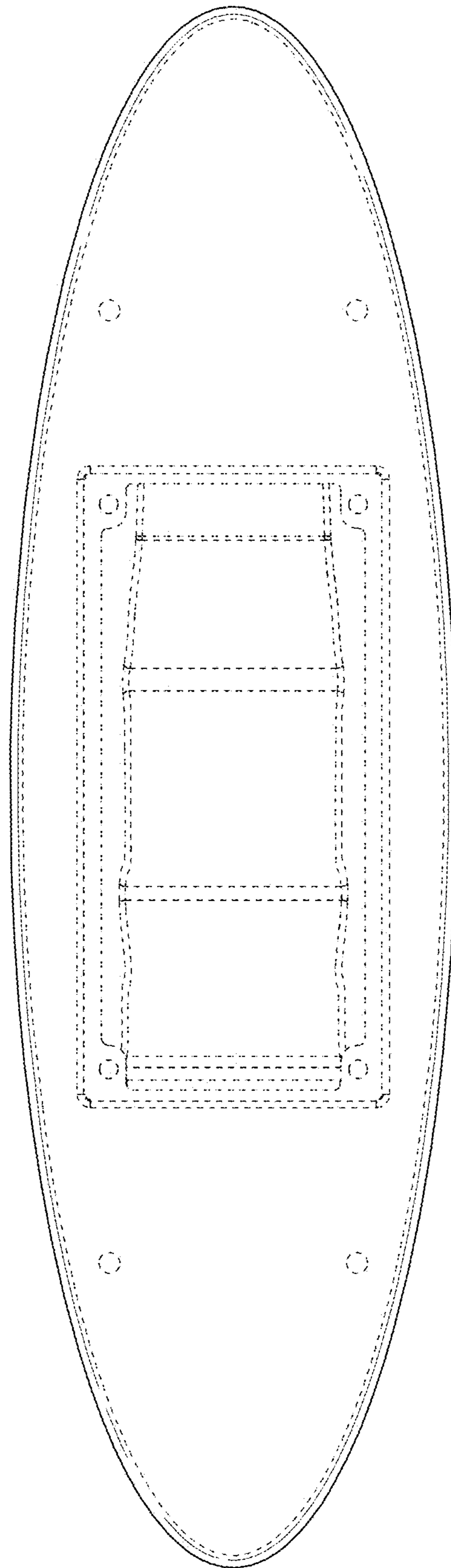


FIG. 4

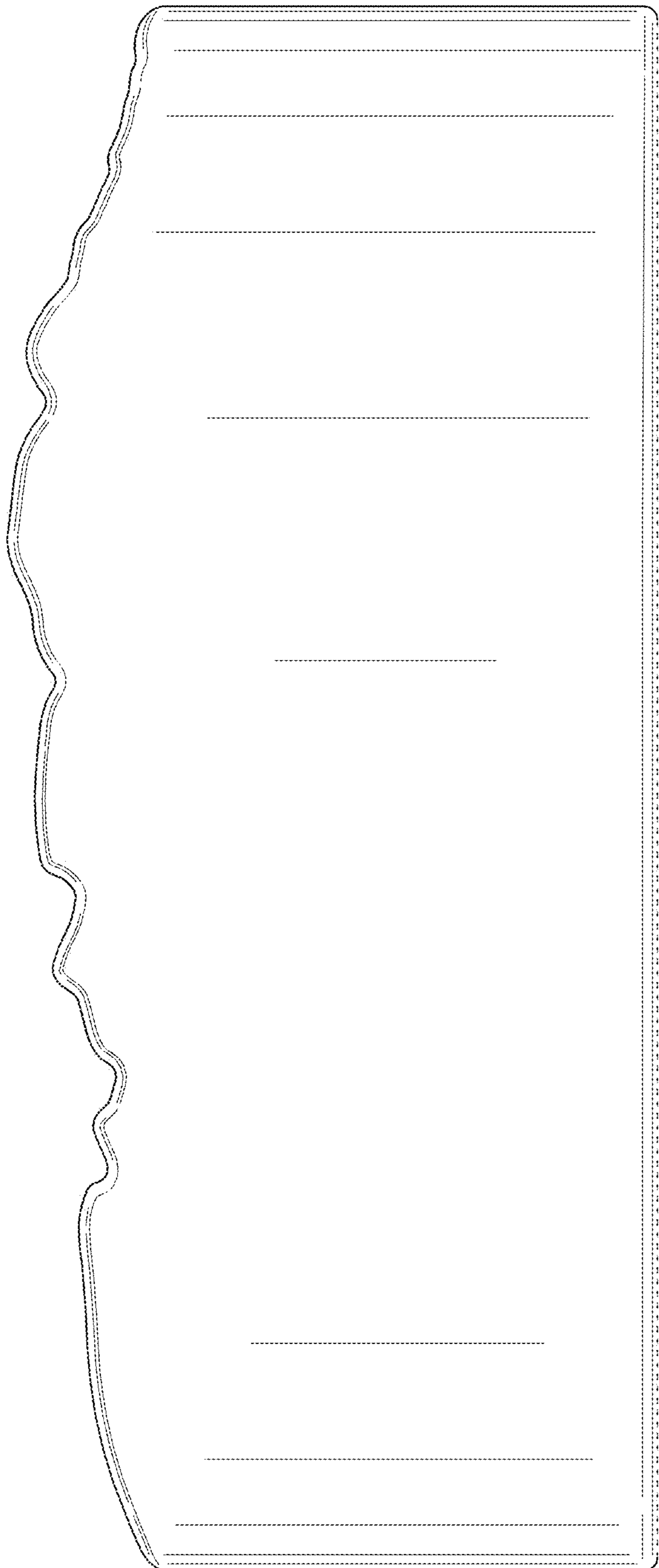


FIG. 5

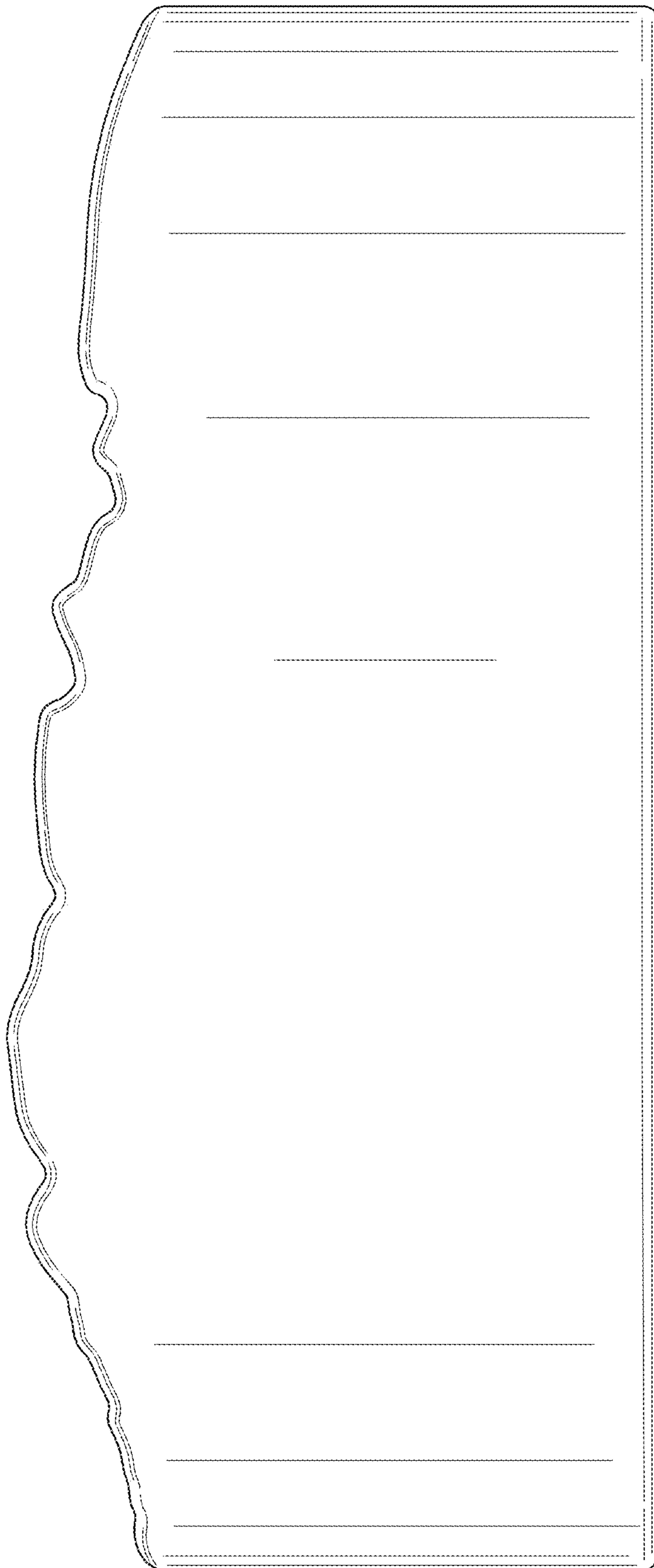


FIG. 6

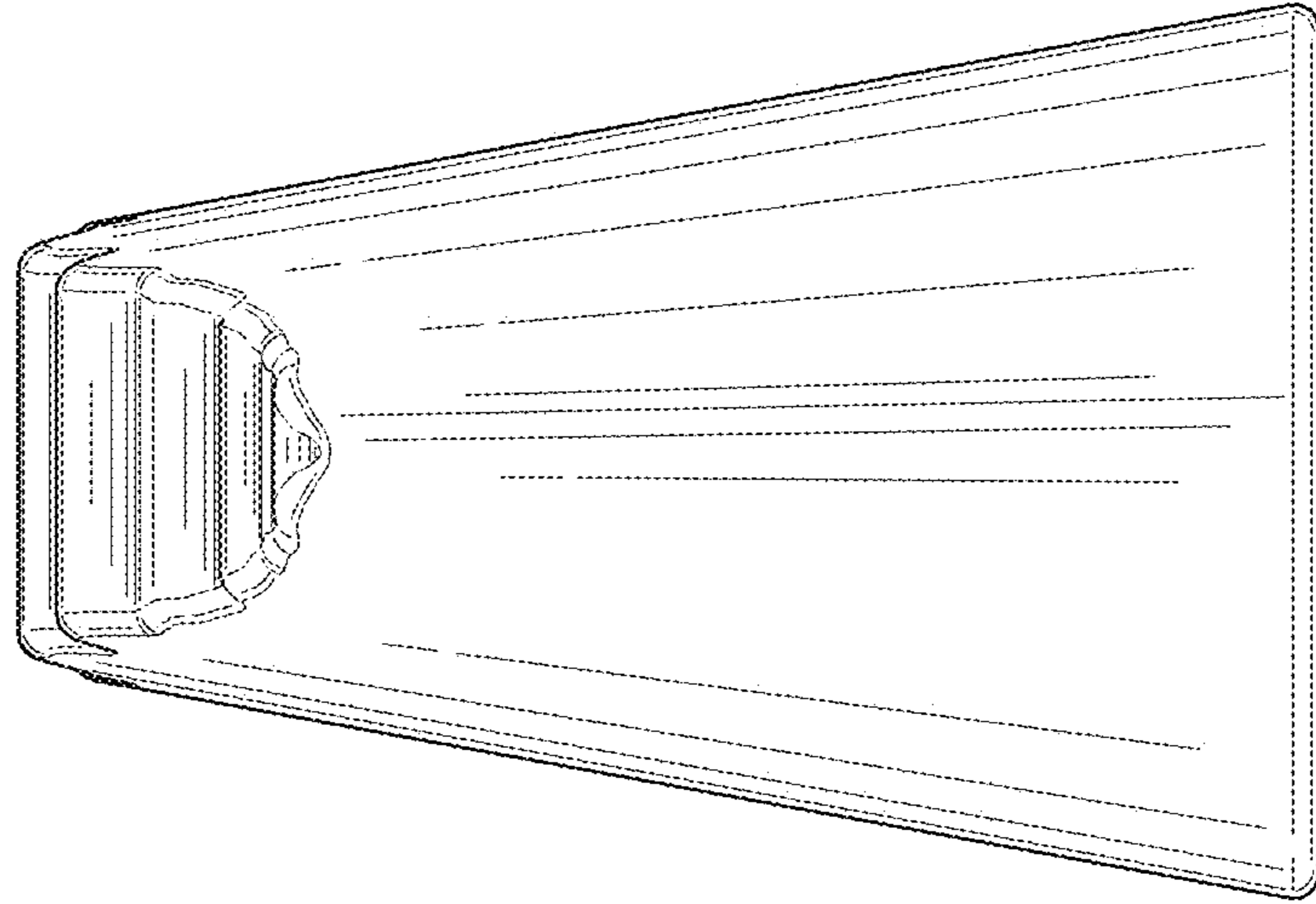


FIG. 7

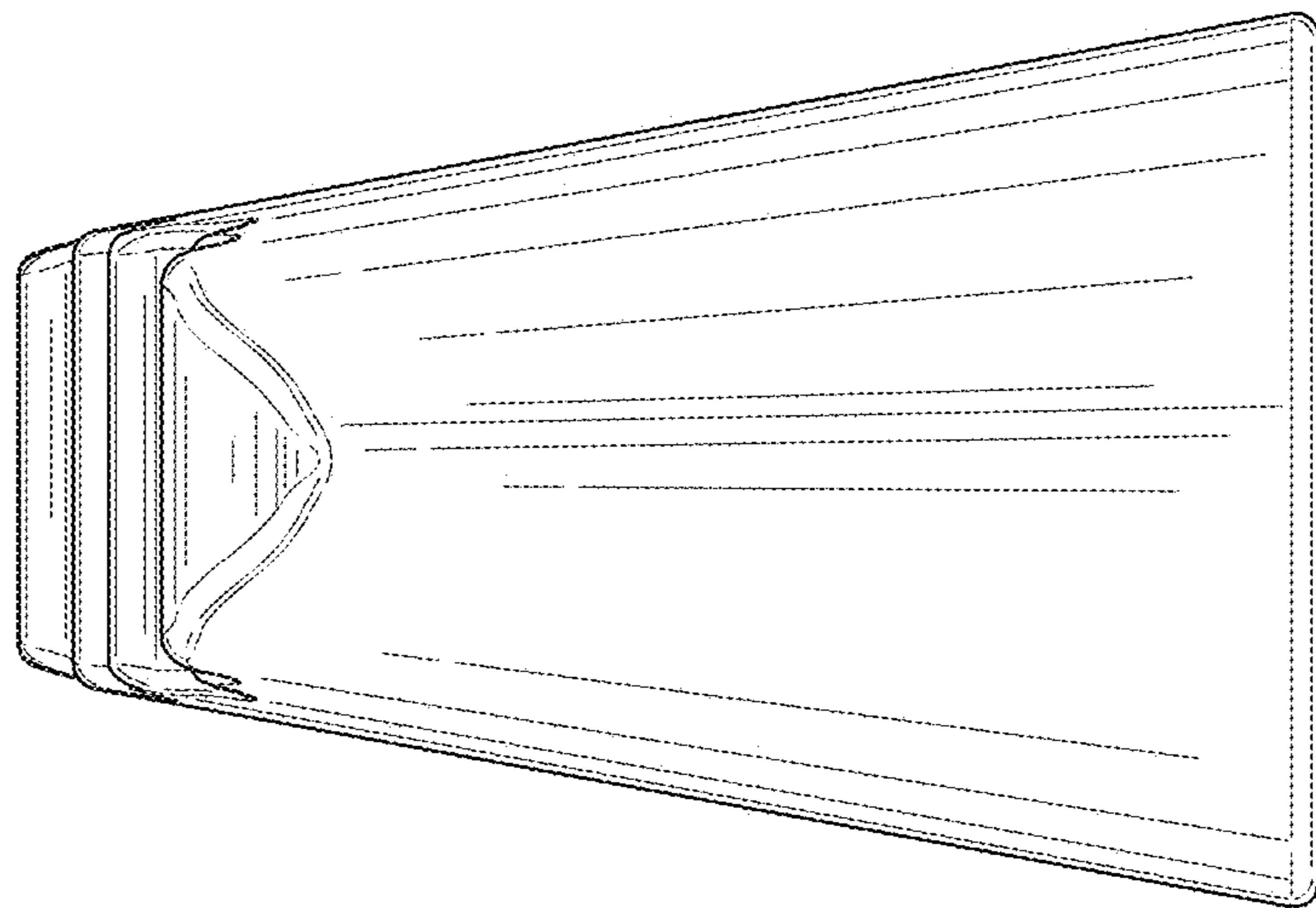


FIG. 8