



US00D901585S

(12) **United States Design Patent** (10) **Patent No.:** **US D901,585 S**
Vadenne (45) **Date of Patent:** **** Nov. 10, 2020**

- (54) **PEN**
- (71) Applicant: **SOCIETE BIC**, Clichy (FR)
- (72) Inventor: **Franck Vadenne**, Bezons (FR)
- (73) Assignee: **Societe BIC**, Clichy (FR)
- (**) Term: **15 Years**
- (21) Appl. No.: **29/692,184**
- (22) Filed: **May 23, 2019**
- (30) **Foreign Application Priority Data**
 May 15, 2019 (EM) 006464269
- (51) **LOC (12) Cl.** **19-06**
- (52) **U.S. Cl.**
 USPC **D19/186; D19/928; D19/934**
- (58) **Field of Classification Search**
 USPC D19/115-204; D14/411
 CPC . B43K 5/005; B43K 7/12; B43K 8/04; B43K
 8/06; B43K 21/006; B43K 21/06
 See application file for complete search history.

- (56) **References Cited**
U.S. PATENT DOCUMENTS
 D84,323 S * 6/1931 Bienenstein D19/184
 D114,530 S * 5/1939 Deli et al. D19/165
 2,183,350 A * 12/1939 Goessling B43K 21/003
 24/11 R
 D128,390 S * 7/1941 Christenson, Jr. D19/170
 D133,540 S * 8/1942 Kahn D19/184
 D134,010 S * 10/1942 Weiss D8/98
 D155,285 S * 9/1949 Green et al. D19/173
 D166,161 S * 3/1952 Hanle D19/163
 2,715,388 A * 8/1955 Cofield, Jr. B43K 7/01
 401/217
 D214,828 S * 8/1969 Kroener D8/107
 D236,917 S * 9/1975 Melnick D19/168
 D383,162 S * 9/1997 Worther D19/173

- D399,255 S * 10/1998 Melnick D19/173
- D474,240 S * 5/2003 Alderson D19/186
- D482,396 S * 11/2003 De Bon D19/163

(Continued)

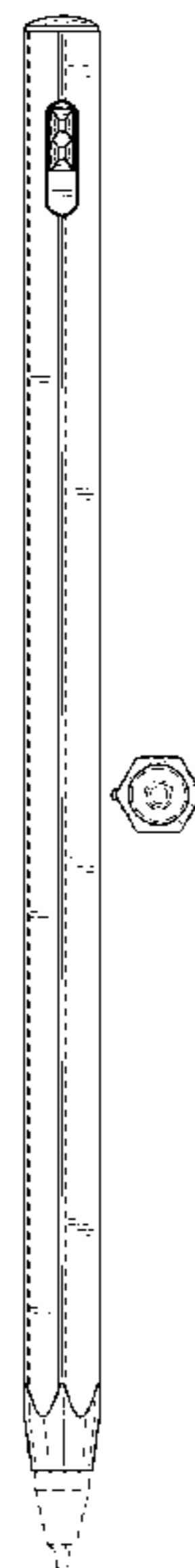
Primary Examiner — Elizabeth A. Albert
(74) *Attorney, Agent, or Firm* — The H.T Than Law Group

(57) **CLAIM**
The ornamental design for pen, as shown and described.

DESCRIPTION

FIG. 1 is a perspective view of a first embodiment of a pen showing my new design;
 FIG. 2 is a front view thereof;
 FIG. 3 is a back view thereof;
 FIG. 4 is a left side view thereof;
 FIG. 5 is a right side view thereof;
 FIG. 6 is a top view thereof;
 FIG. 7 is a bottom view thereof;
 FIG. 8 is a perspective view of a second embodiment of FIG. 1;
 FIG. 9 is a front view thereof;
 FIG. 10 is a back view thereof;
 FIG. 11 is a left side view thereof;
 FIG. 12 is a right side view thereof;
 FIG. 13 is a top view thereof;
 FIG. 14 is a bottom view thereof;
 FIG. 15 is a perspective view of a third embodiment of FIG. 1;
 FIG. 16 is a front view thereof;
 FIG. 17 is a back view thereof;
 FIG. 18 is a left side view thereof;
 FIG. 19 is a right side view thereof;
 FIG. 20 is a top view thereof; and,
 FIG. 21 is a bottom view thereof.
 The broken lines shown in the drawings are included for the purpose of illustrating environmental structure and form no part of the claimed design.

1 Claim, 12 Drawing Sheets



(56)

References Cited

U.S. PATENT DOCUMENTS

D552,175 S *	10/2007	Boerio	D19/175
D580,977 S *	11/2008	Li	D19/173
D586,853 S *	2/2009	Tan	D19/166
D587,310 S *	2/2009	Paslowski	D19/185
D641,755 S *	7/2011	Rashid	D14/411
D659,141 S *	5/2012	Watson	D14/411
D671,167 S *	11/2012	Nichols	D19/102
D681,113 S *	4/2013	Huang	D19/185
D685,430 S *	7/2013	Zhang	D19/186
D688,665 S *	8/2013	Huang	D14/411
D744,038 S *	11/2015	Wang	D19/182
D822,763 S *	7/2018	Yochai	D19/163
D825,566 S *	8/2018	Peterson	D14/411
10,293,630 B2 *	5/2019	Shawki	B43K 7/005
D851,704 S *	6/2019	Vadenne	D19/195
D864,297 S *	10/2019	Sirpal	D19/135
D864,298 S *	10/2019	Li	D19/177

* cited by examiner

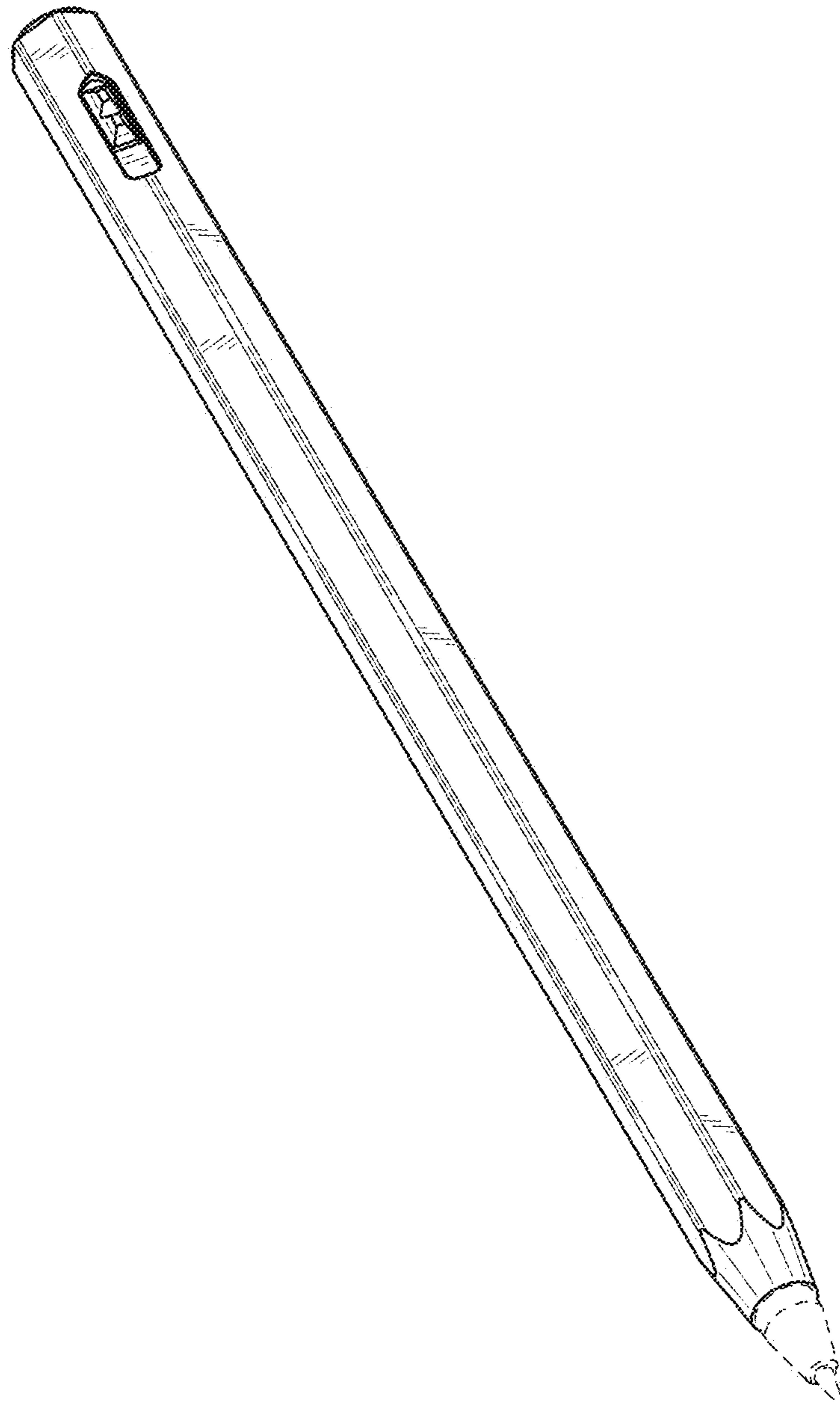


Fig. 1

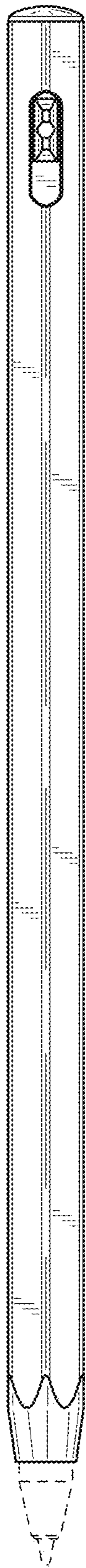


Fig. 2

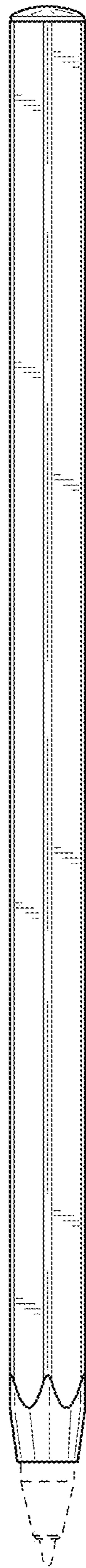


Fig. 3

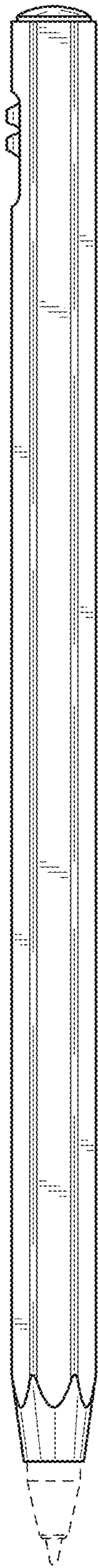


Fig. 4

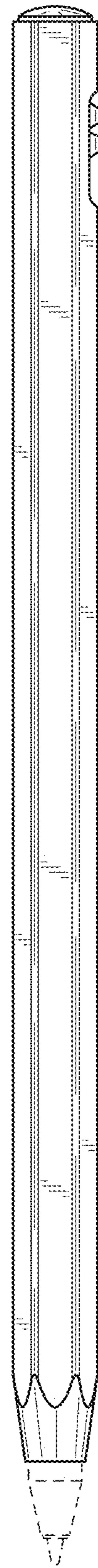


Fig. 5

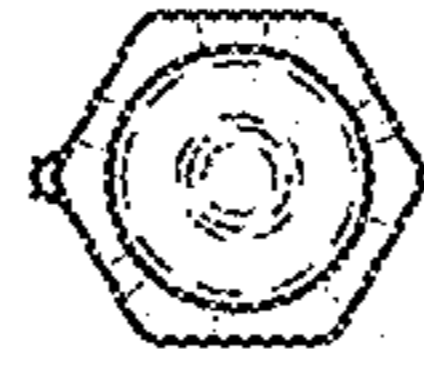


Fig. 6



Fig. 7

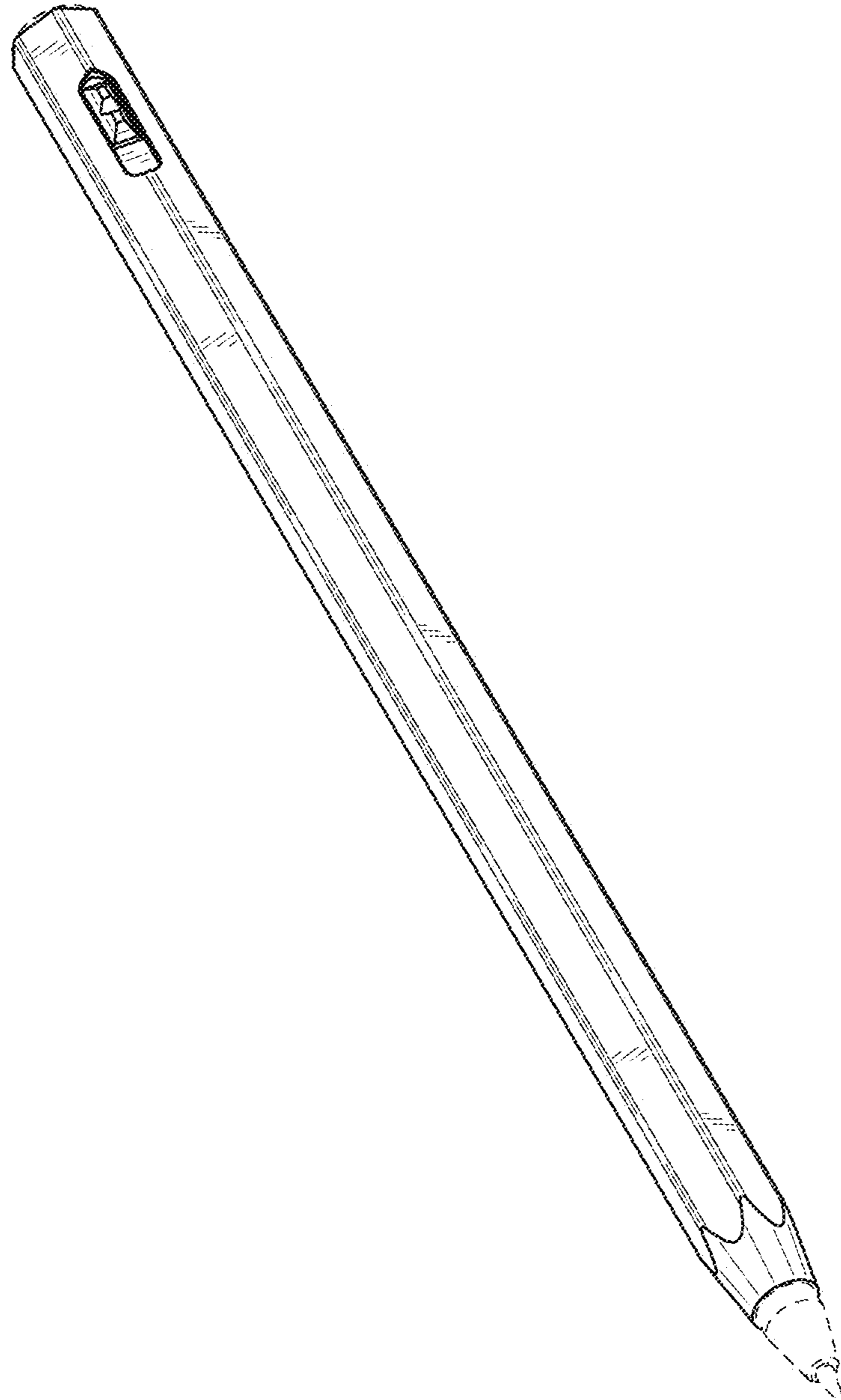


Fig. 8

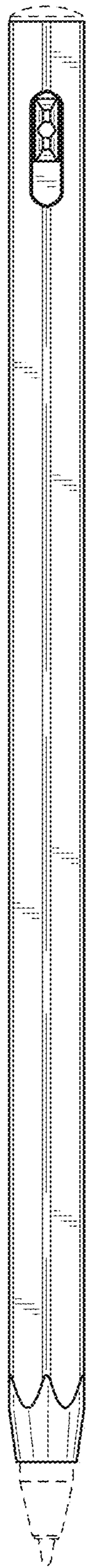


Fig. 9

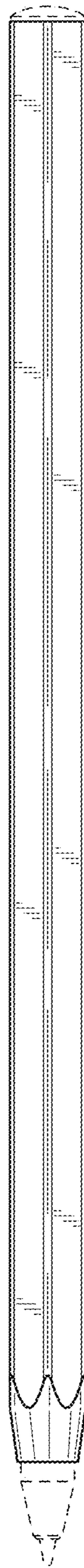


Fig. 10

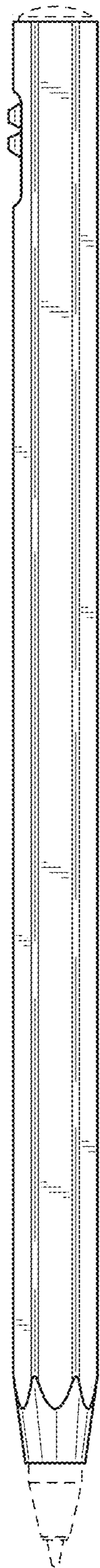


Fig. 11

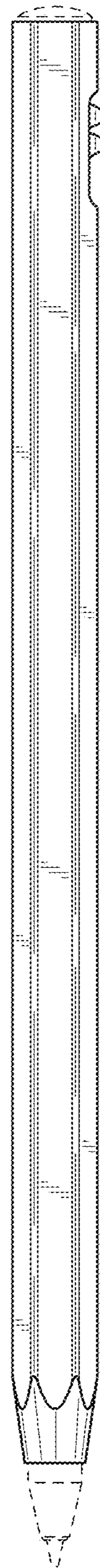


Fig. 12



Fig. 13



Fig. 14

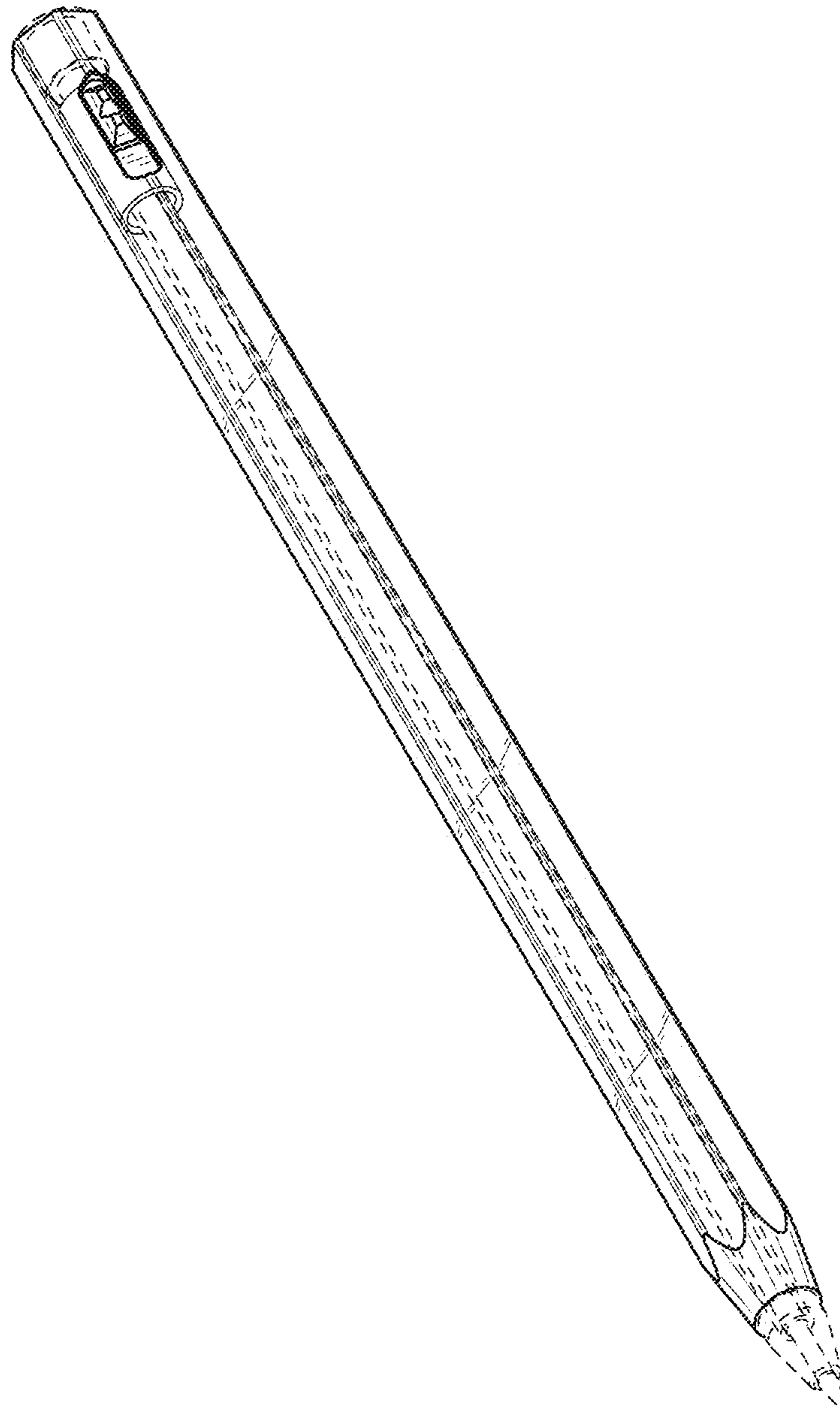


Fig. 15

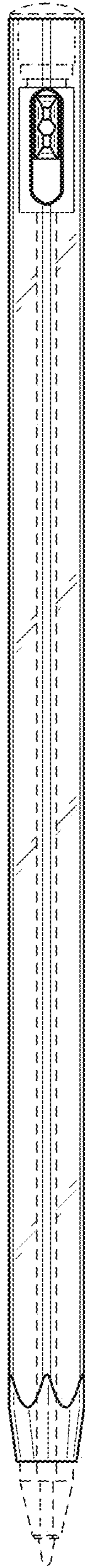


Fig. 16

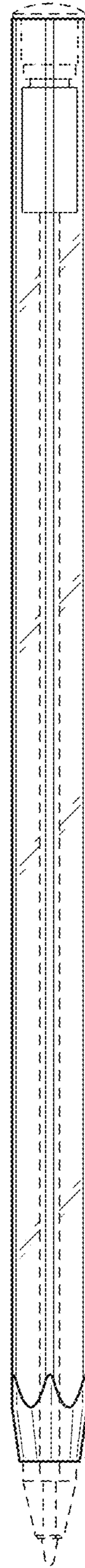


Fig. 17

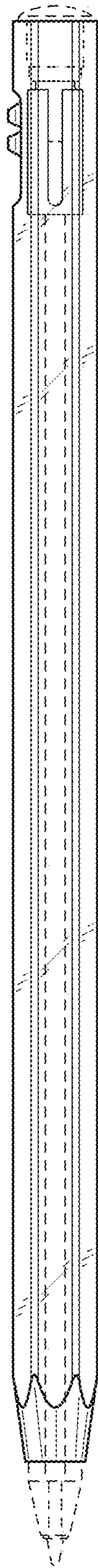


Fig. 18

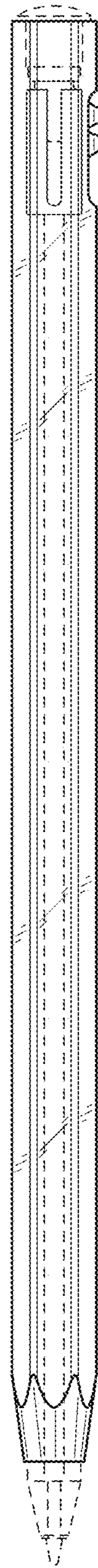


Fig. 19



Fig. 20

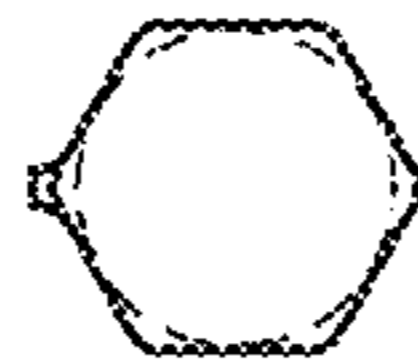


Fig. 21