



US00D901582S

(12) **United States Design Patent** (10) **Patent No.:** **US D901,582 S**
Zhang (45) **Date of Patent:** **** Nov. 10, 2020**

(54) **GOGGLE**
(71) Applicant: **Guangzhou Dacheng Glasses Co., Ltd.**, Guangzhou (CN)
(72) Inventor: **Shuangxi Zhang**, Shaodong (CN)
(**) Term: **15 Years**
(21) Appl. No.: **29/690,232**
(22) Filed: **May 7, 2019**
(51) **LOC (12) Cl.** **16-06**
(52) **U.S. Cl.**
USPC **D16/315**
(58) **Field of Classification Search**
USPC D16/301, 306, 313, 314, 315, 325, 326
CPC G02C 7/02
See application file for complete search history.

RockBros Sport Photochromic Polarized Sunglasses, posted at rockbroscycle.com, posting date not given, [online], [site visited Sep. 11, 2020]. Available from Internet, URL: <https://rockbroscycle.com/products/rockbros-sport-photochromic-polarized-glasses> (Year: 2020).*

* cited by examiner

Primary Examiner — George D. Kirschbaum
Assistant Examiner — Maria J Edwards
(74) *Attorney, Agent, or Firm* — KA Filing LLC; Wayne V. Harper; Cynthia Ward Flanigan

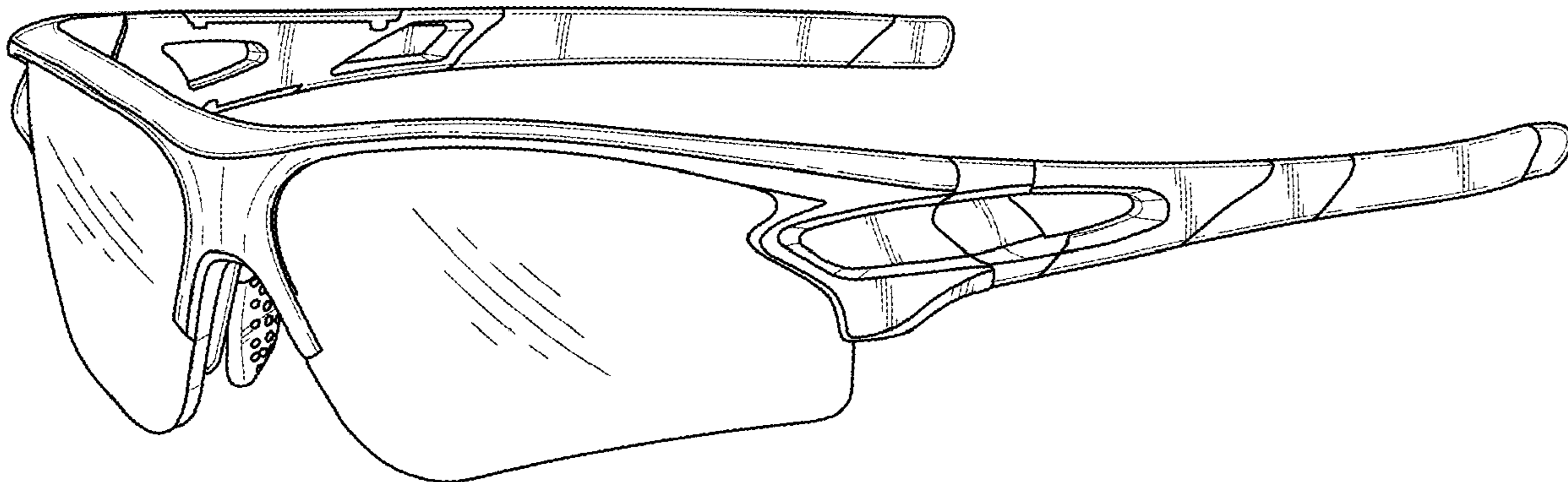
(56) **References Cited**
U.S. PATENT DOCUMENTS
D659,180 S * 5/2012 Moritz D16/314
D683,787 S * 6/2013 Miera D16/315
D697,547 S * 1/2014 Miera D16/315
D756,446 S * 5/2016 Yoo D16/314
D826,312 S * 8/2018 Chou D16/315
D849,824 S * 5/2019 Mucaro D16/314
D873,901 S * 1/2020 Zhang D16/314
D890,247 S * 7/2020 Yang D16/314

OTHER PUBLICATIONS
Rockbros Sport Glasses, posted at aliexpress.com, posting date by Jun. 22, 2020, [online], [site visited Sep. 11, 2020]. Available from Internet, URL: <https://www.aliexpress.com/item/4000920241032.html> (Year: 2020).*

(57) **CLAIM**
I claim the ornamental design for a goggle, as shown and described.

DESCRIPTION
FIG. 1 is a Perspective view of a goggle showing my new design;
FIG. 2 is another perspective view of the goggle as shown in FIG. 1;
FIG. 3 is a front-side view of the goggle as shown in FIG. 1;
FIG. 4 is a back-side view of the goggle as shown in FIG. 1;
FIG. 5 is a left view of the goggle as shown in FIG. 1;
FIG. 6 is a right view of the goggle as shown in FIG. 1;
FIG. 7 is a top-side view of the goggle as shown in FIG. 1; and,
FIG. 8 is a bottom-side view of the goggle as shown in FIG. 1.

1 Claim, 8 Drawing Sheets



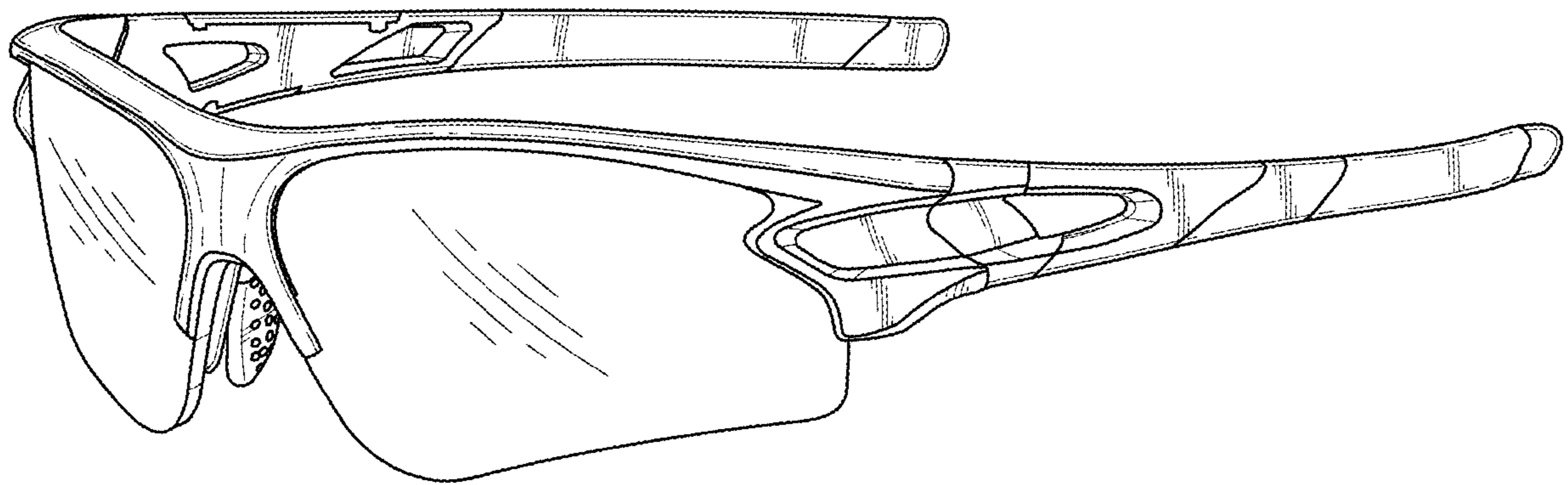


FIG. 1

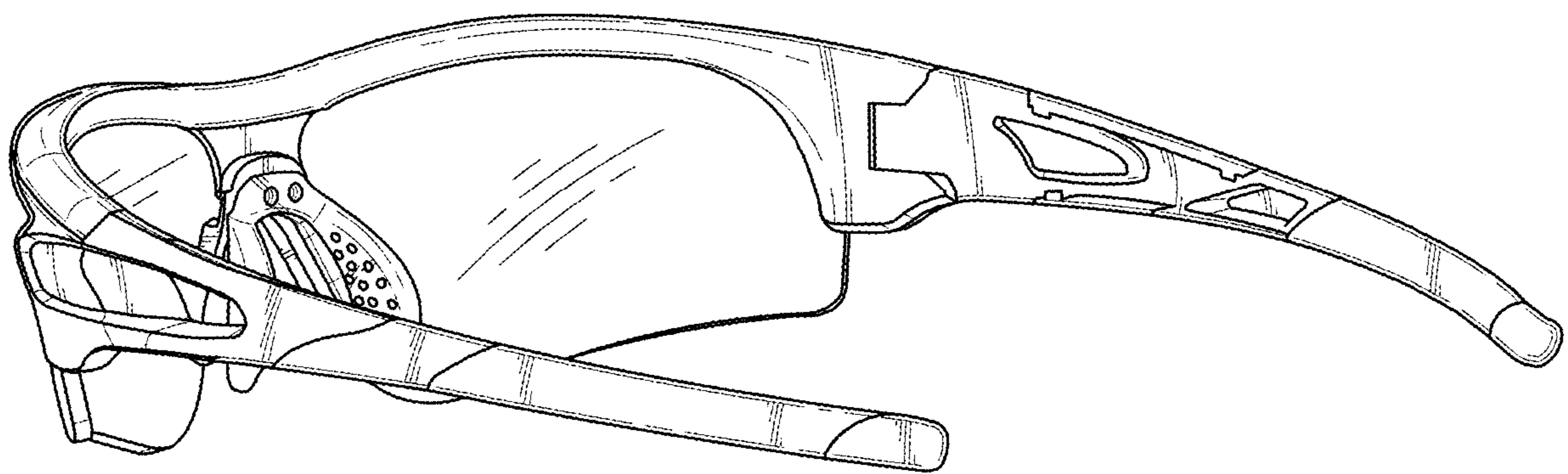


FIG. 2

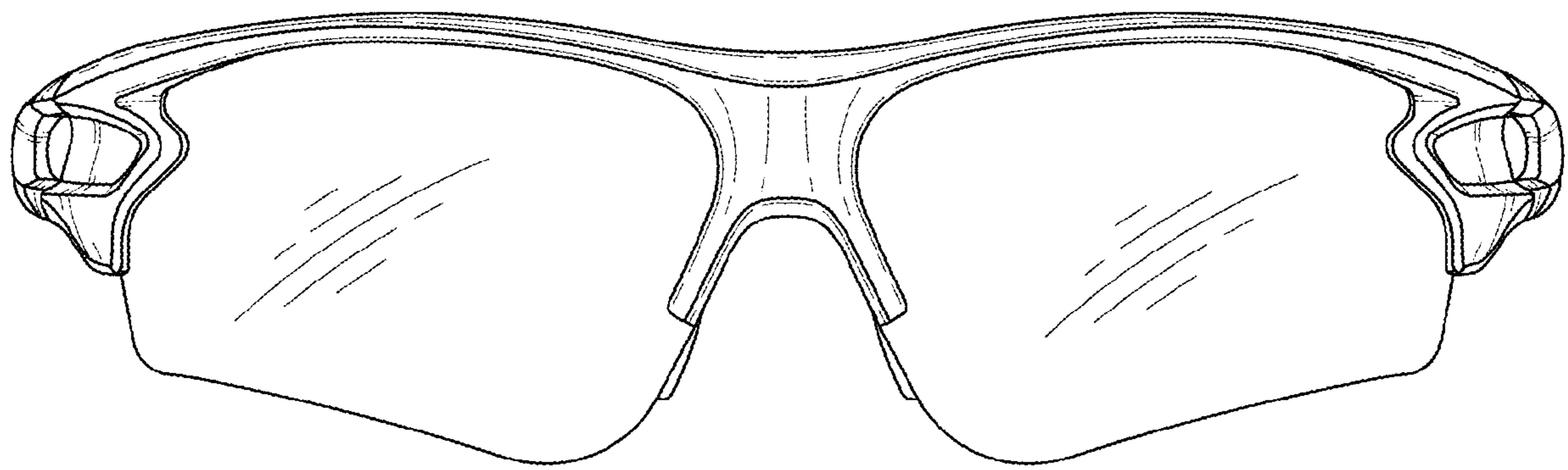


FIG. 3

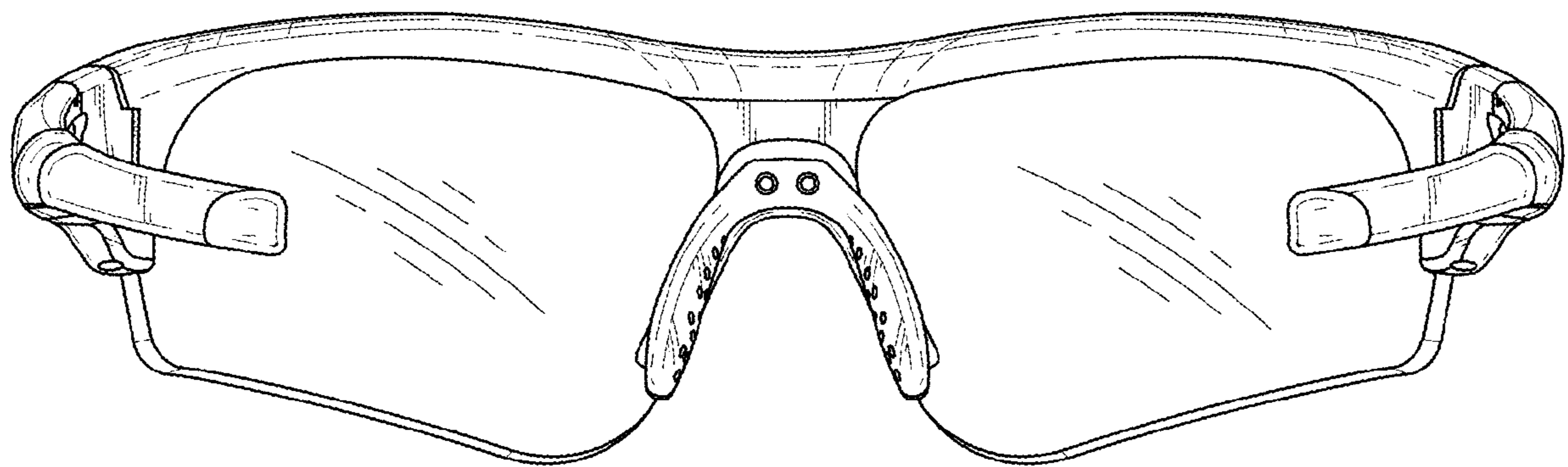


FIG. 4

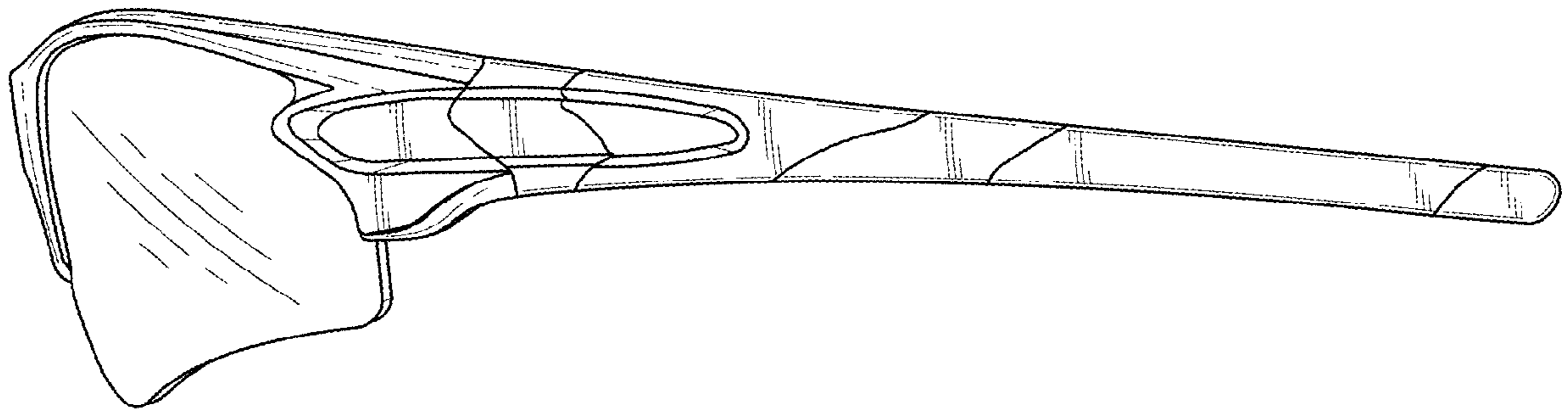


FIG. 5

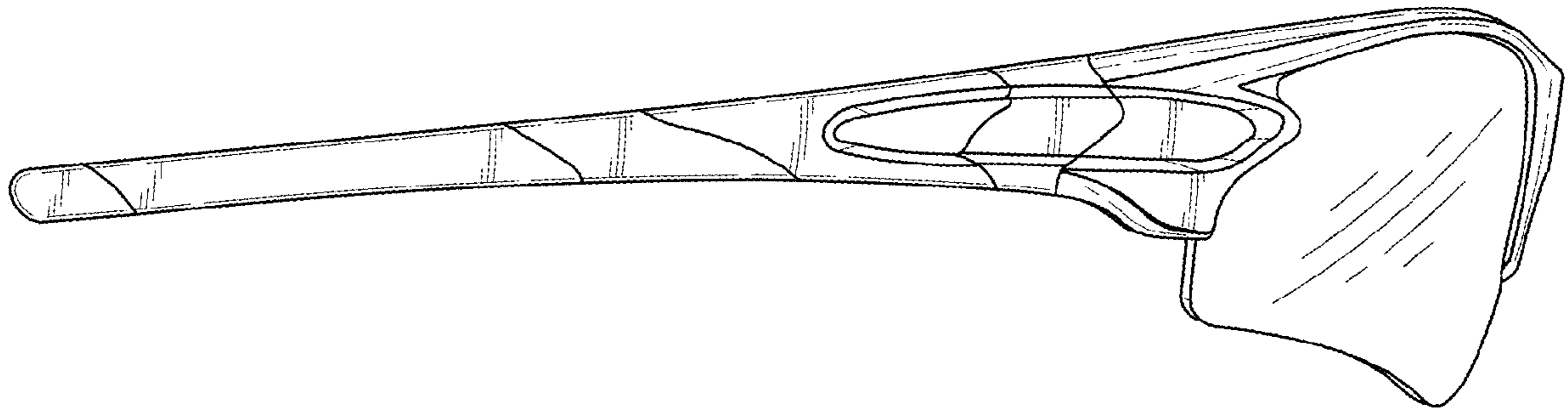


FIG. 6

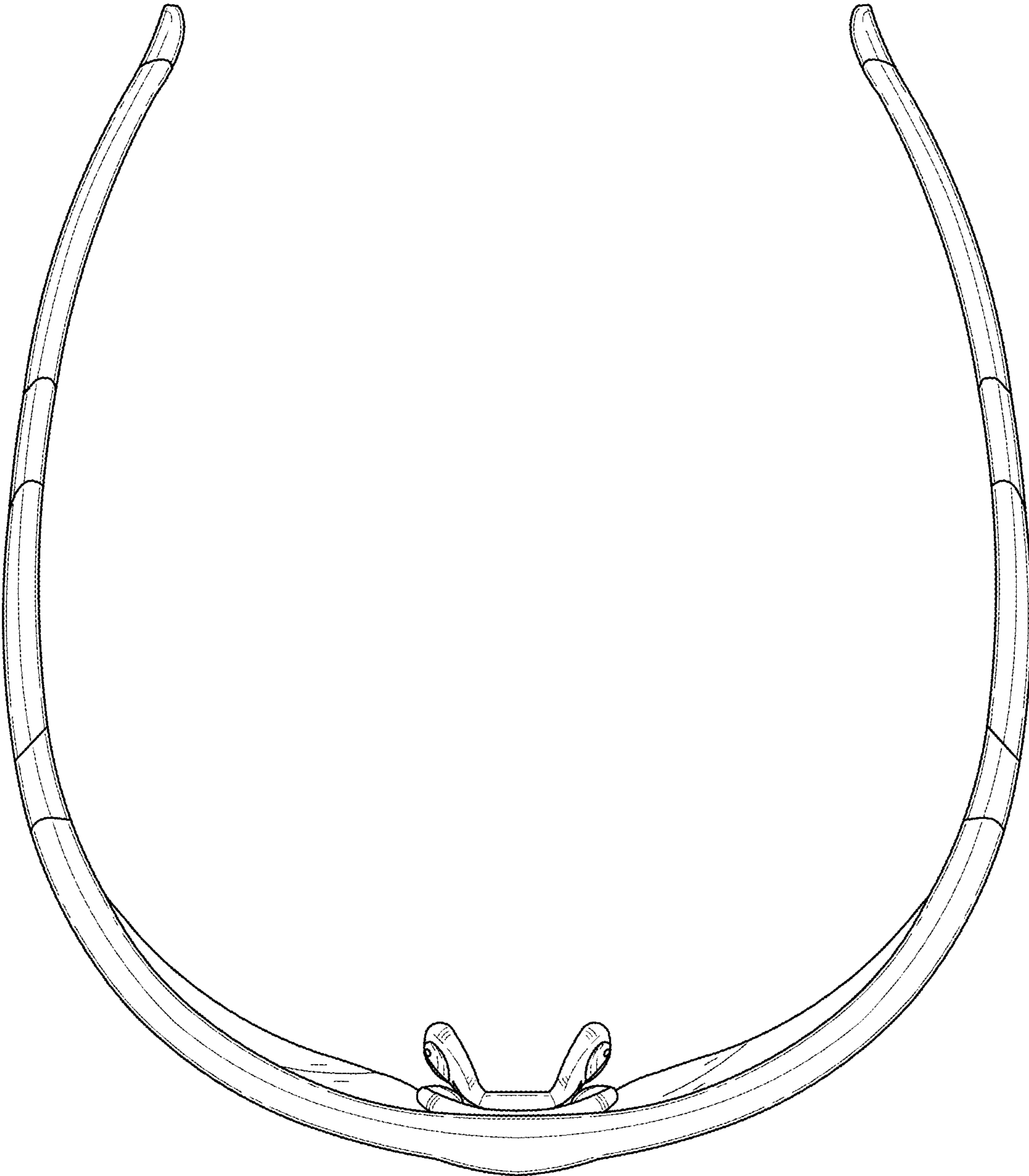


FIG. 7

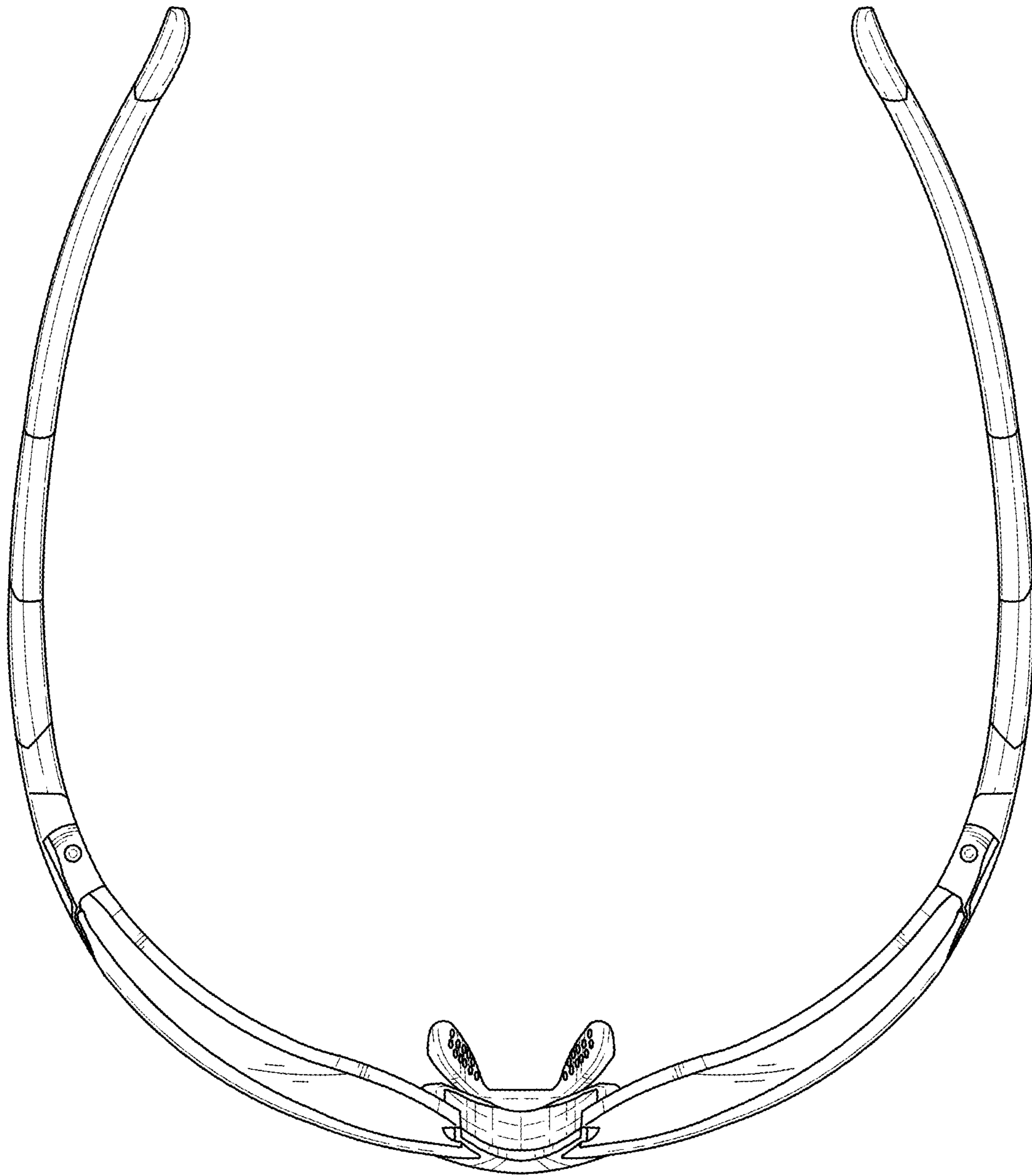


FIG. 8