



US00D901579S

(12) **United States Design Patent**  
**Wang et al.**

(10) **Patent No.:** **US D901,579 S**

(45) **Date of Patent:** **\*\* Nov. 10, 2020**

(54) **TRIPOD**

(71) Applicant: **Shenzhen Aixiangpai E-bussiness Co., Ltd, Shenzhen (CN)**

(72) Inventors: **Xiaodong Wang, Shenzhen (CN); Zhiyuan Han, Shenzhen (CN)**

(\*\*) Term: **15 Years**

(21) Appl. No.: **29/740,407**

(22) Filed: **Jul. 3, 2020**

(51) **LOC (12) Cl.** ..... **16-05**

(52) **U.S. Cl.**  
USPC ..... **D16/244**

(58) **Field of Classification Search**  
USPC ..... D16/219, 242–245; D14/251, 253  
CPC ..... G03B 17/56; G03B 17/561–566; A45F  
2200/0508–0533

See application file for complete search history.

(56) **References Cited**

**U.S. PATENT DOCUMENTS**

2,845,244	A *	7/1958	Prokop	.....	F16M 11/18 248/171
5,062,606	A *	11/1991	Hoshino	.....	F16M 11/28 248/171
5,934,628	A *	8/1999	Bosnakovic	.....	B60Q 7/00 248/169
D421,447	S *	3/2000	Eason	.....	D16/244
D450,339	S *	11/2001	Eason	.....	D16/244
D552,660	S *	10/2007	Lee	.....	D16/242
D570,618	S *	6/2008	Tai	.....	D14/229
D623,331	S *	9/2010	Rotwitt	.....	D26/63
D657,977	S *	4/2012	Belitz	.....	D6/681.1
D704,486	S *	5/2014	Cho	.....	D6/708.25
D720,384	S *	12/2014	Holmen	.....	D16/244
D821,483	S *	6/2018	Vitale	.....	D16/244
D853,613	S *	7/2019	Lien	.....	D26/63
D857,085	S *	8/2019	Yamaguchi	.....	
D880,048	S *	3/2020	Zhu	.....	D26/106

D881,980	S *	4/2020	Zhu	.....	D16/237
10,612,720	B2 *	4/2020	Lin	.....	G03B 17/561
D895,716	S *	9/2020	Chen	.....	D16/244
2005/0194503	A1 *	9/2005	Lee	.....	F16M 11/28 248/188.5

**OTHER PUBLICATIONS**

Selfie Stick Tripod, 59" All-in-One Extendable Portable Bluetooth Selfie Sticks Phone Tripods . . . [online] First available Apr. 1, 2019. Retrieved from URL: [https://www.amazon.com/Extendable-Portable-Bluetooth-Compatible-Lightweight/dp/B07YWLDDBPD/ref=pd\\_di\\_sccai\\_9?\\_encoding=UTF8&pd\\_rd\\_i=B07YWLDDBPD&pd\\_rd\\_r=63c7ffa.\\*](https://www.amazon.com/Extendable-Portable-Bluetooth-Compatible-Lightweight/dp/B07YWLDDBPD/ref=pd_di_sccai_9?_encoding=UTF8&pd_rd_i=B07YWLDDBPD&pd_rd_r=63c7ffa.*)

(Continued)

*Primary Examiner* — Vy N Koenig

(57) **CLAIM**

The ornamental design for a tripod, as shown and described.

**DESCRIPTION**

FIG. 1 is a front and top perspective view of a tripod, showing our new design;

FIG. 2 is a rear and bottom perspective view thereof;

FIG. 3 is a front elevational view thereof;

FIG. 4 is a rear elevational view thereof;

FIG. 5 is a left side elevational view thereof;

FIG. 6 is a right side elevational view thereof;

FIG. 7 is an enlarged top plan view thereof;

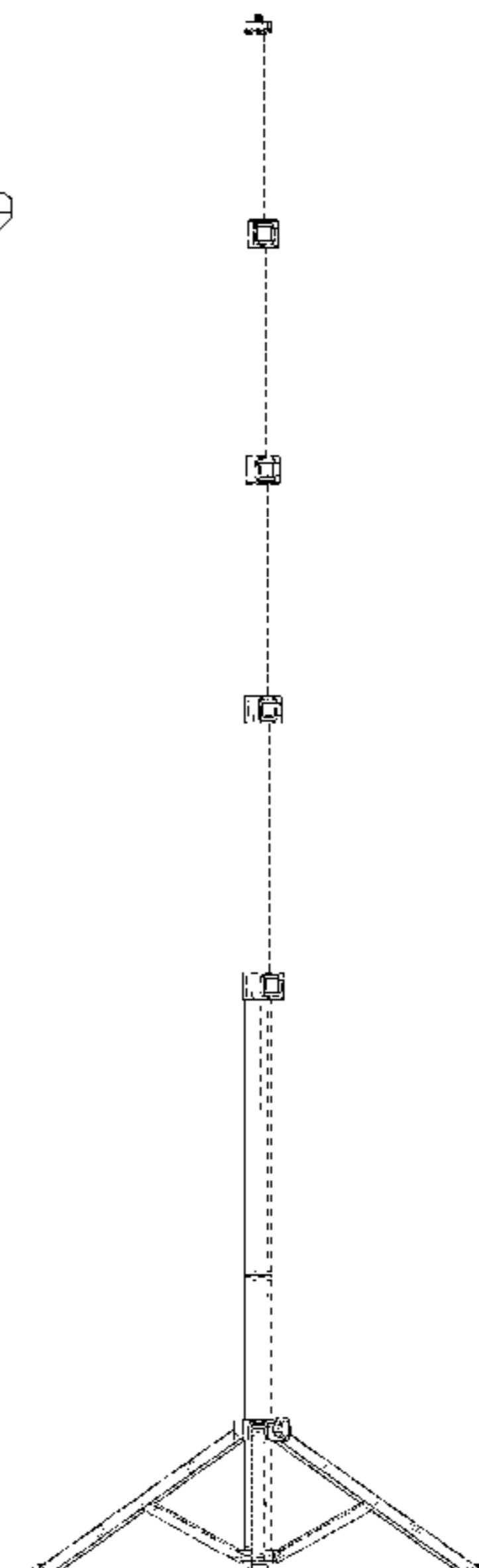
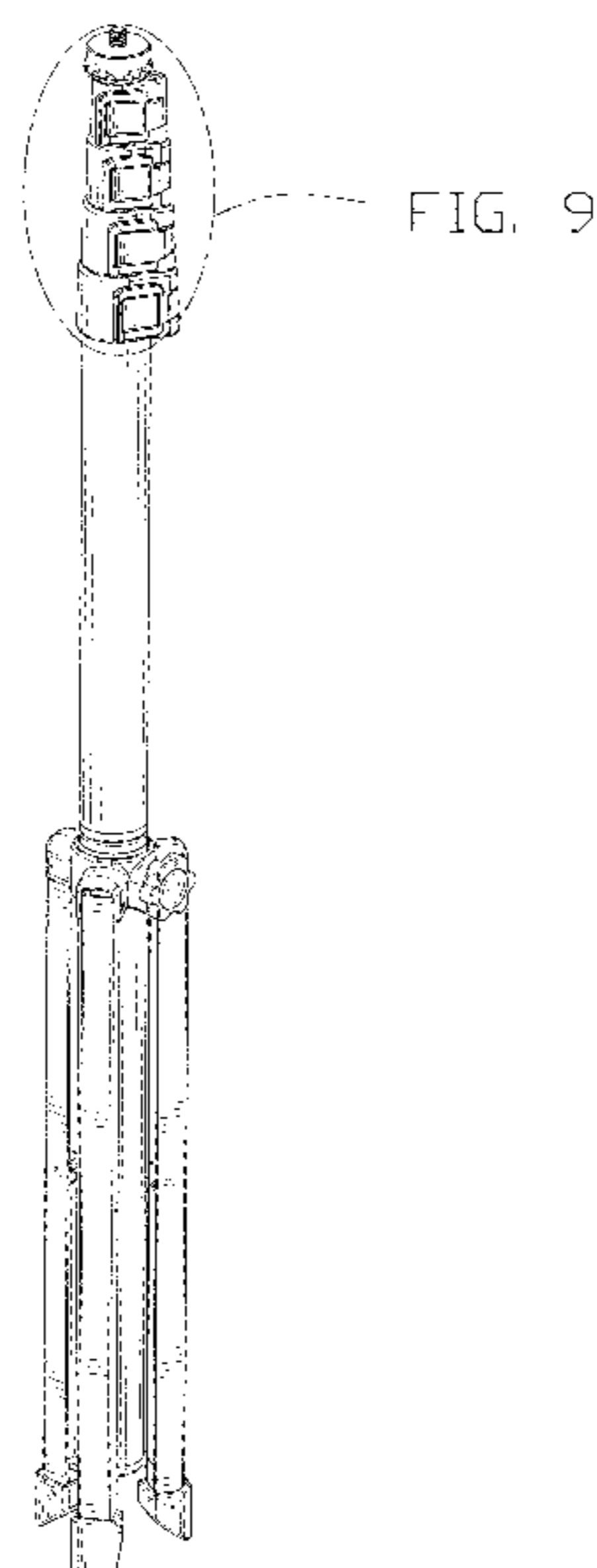
FIG. 8 is an enlarged bottom plan view thereof;

FIG. 9 is an enlarged view of a portion labeled, 'FIG. 9' in FIGS. 1; and,

FIG. 10 is a perspective view thereof, showing the tripod in a stretched position.

The dashed broken lines in the figures illustrate portions of the article that form no part of the claimed design. The dash dot dash lines in FIGS. 1 and 9 are for the purpose of depicting the cut line of the enlarged view and form no part of the claim.

**1 Claim, 10 Drawing Sheets**



(56)

**References Cited**

OTHER PUBLICATIONS

0.2" Selfie Ring Light with Tripod Stand & Cell Phone Holder for Live Stream/Makeup, UBeesize Mini Led Camera Ringlight for YouTube Video/Photography Compatible with iPhone Android (Black). [online] Retrieved Oct. 4, 2018. Retrieved from URL: [https://www.amazon.com/UBeesize-Ringlight-Photography-Compatible-Upgr.\\*](https://www.amazon.com/UBeesize-Ringlight-Photography-Compatible-Upgr.*)

\* cited by examiner

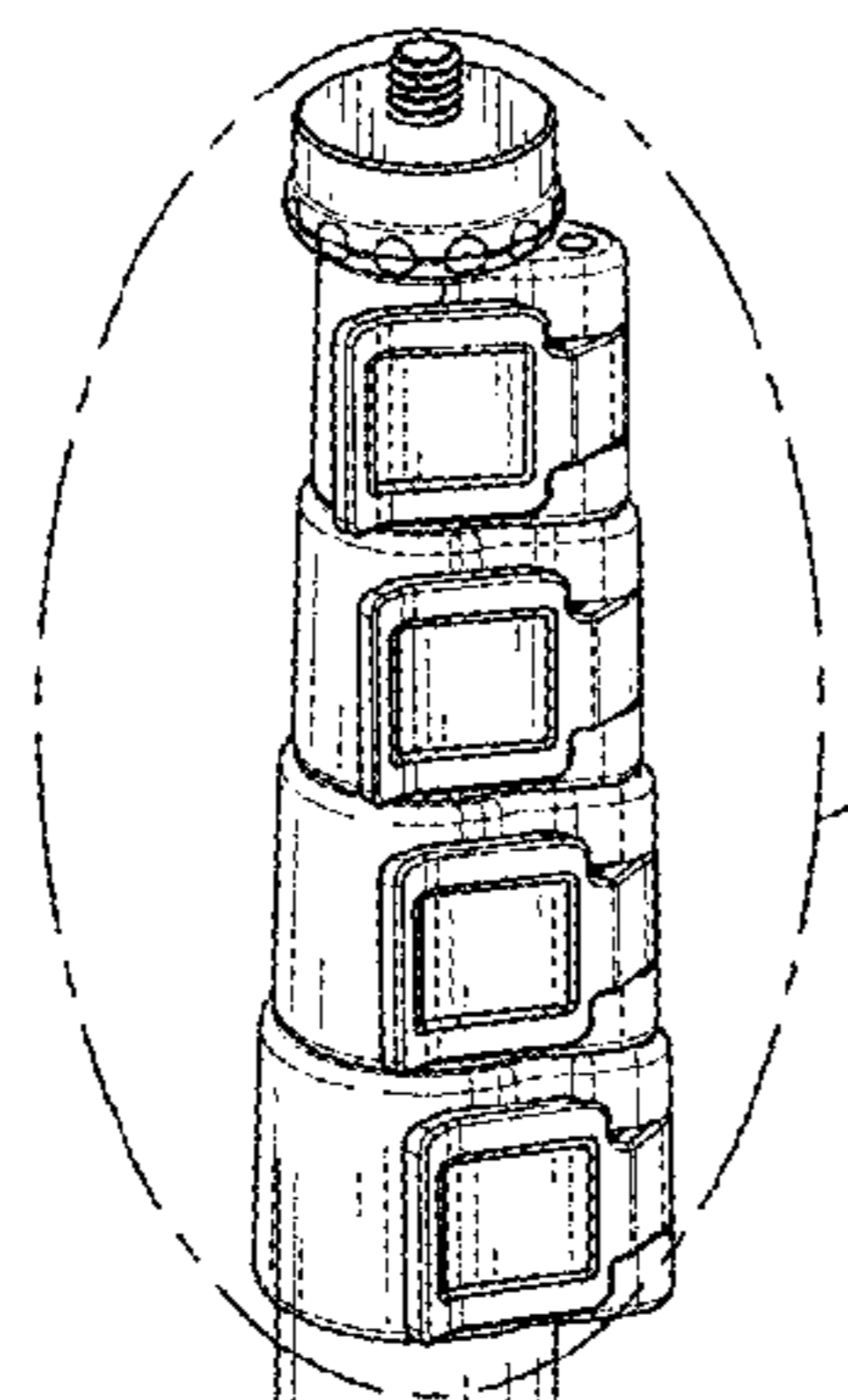


FIG. 9

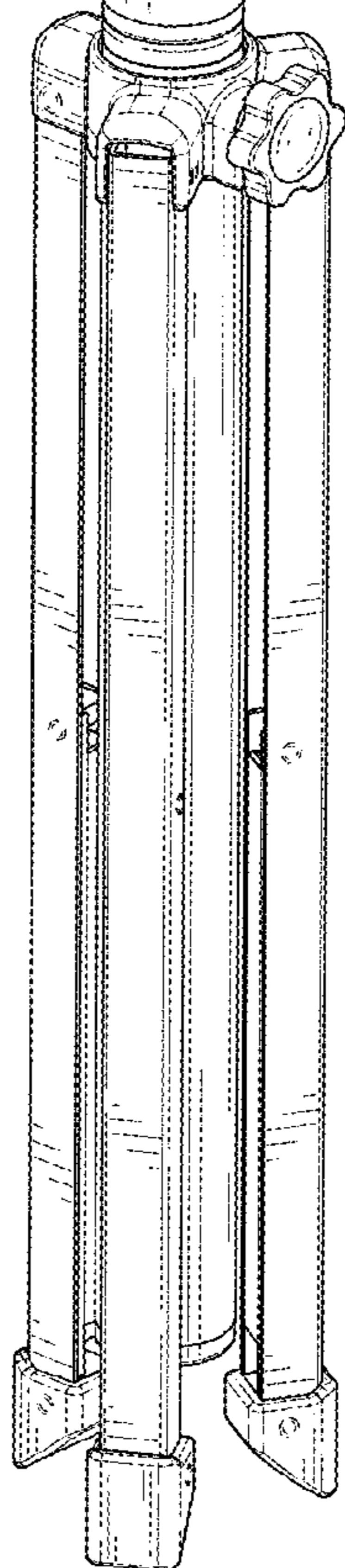


FIG. 1

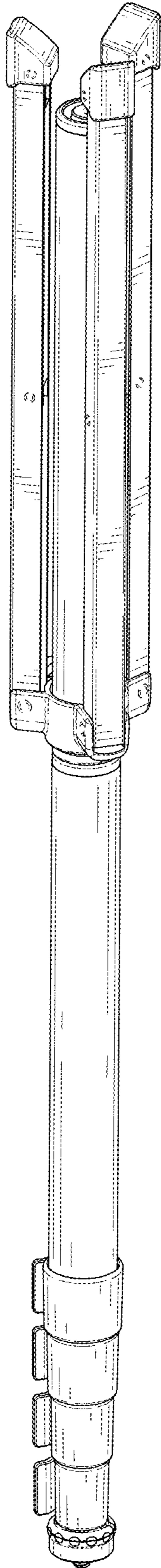


FIG. 2

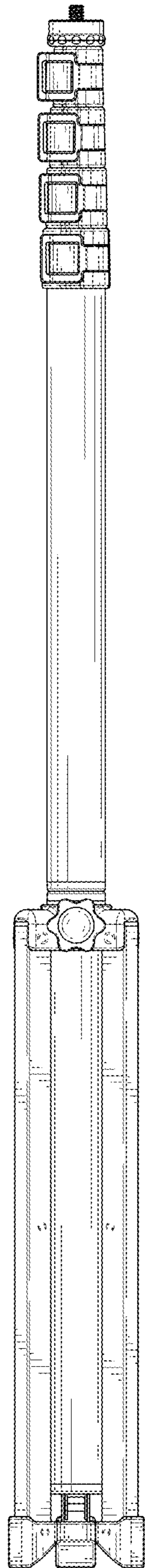


FIG. 3

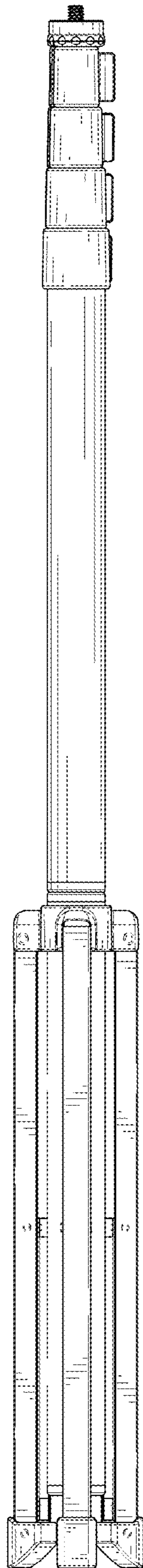


FIG. 4

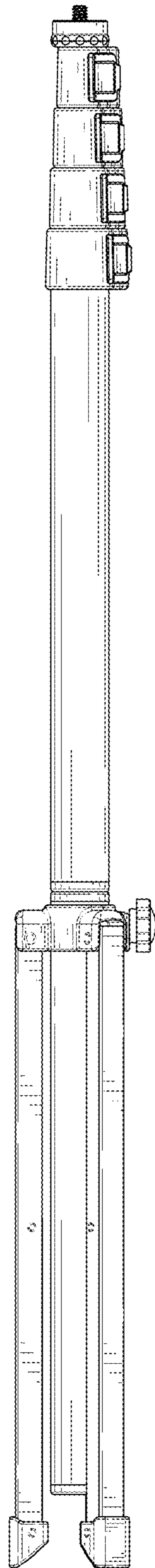


FIG. 5

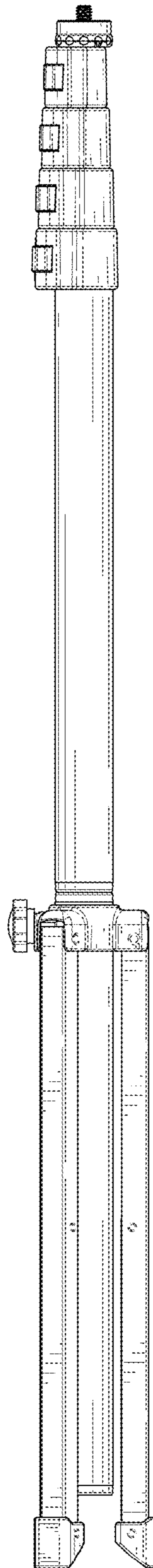


FIG. 6



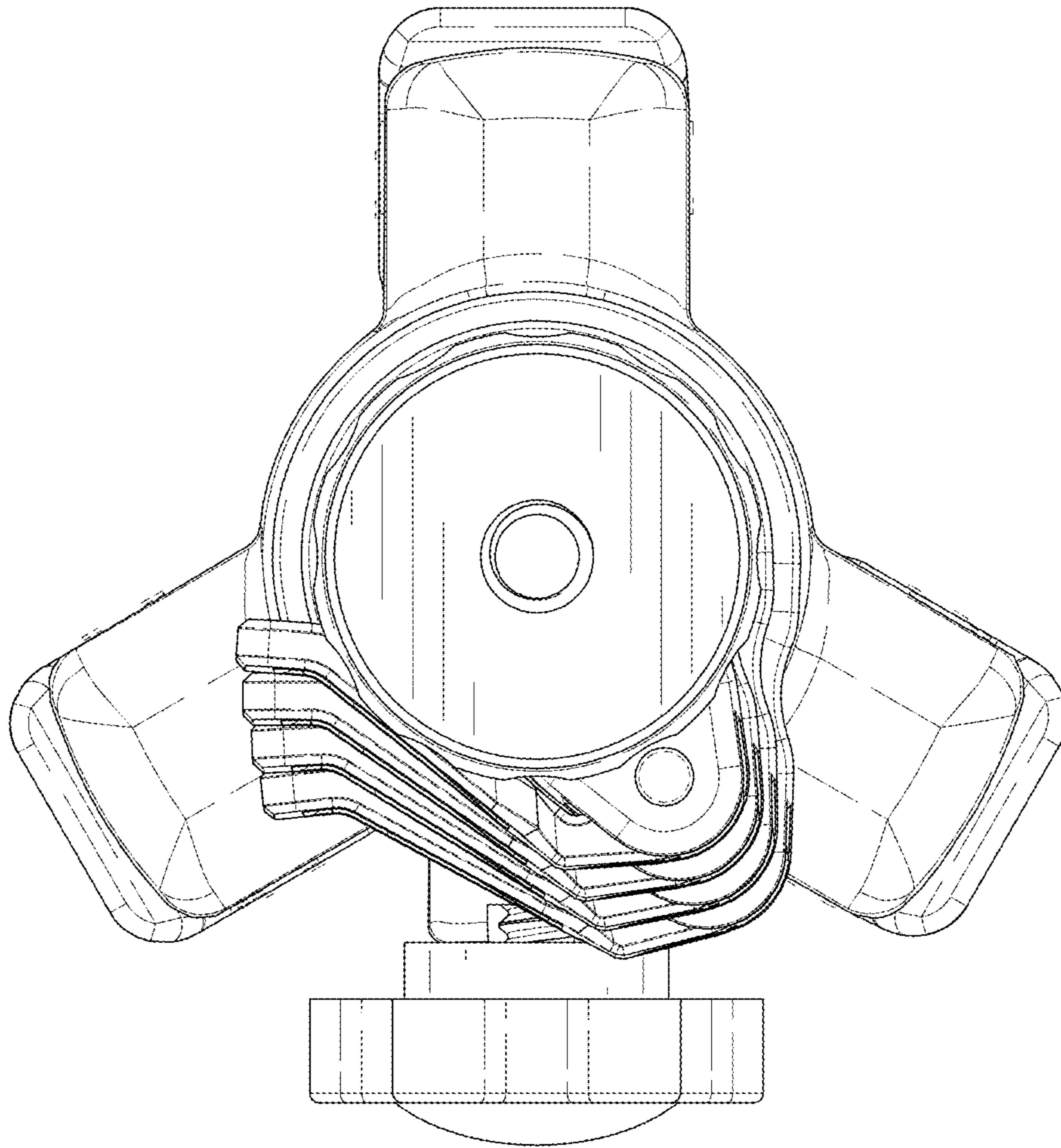


FIG. 7

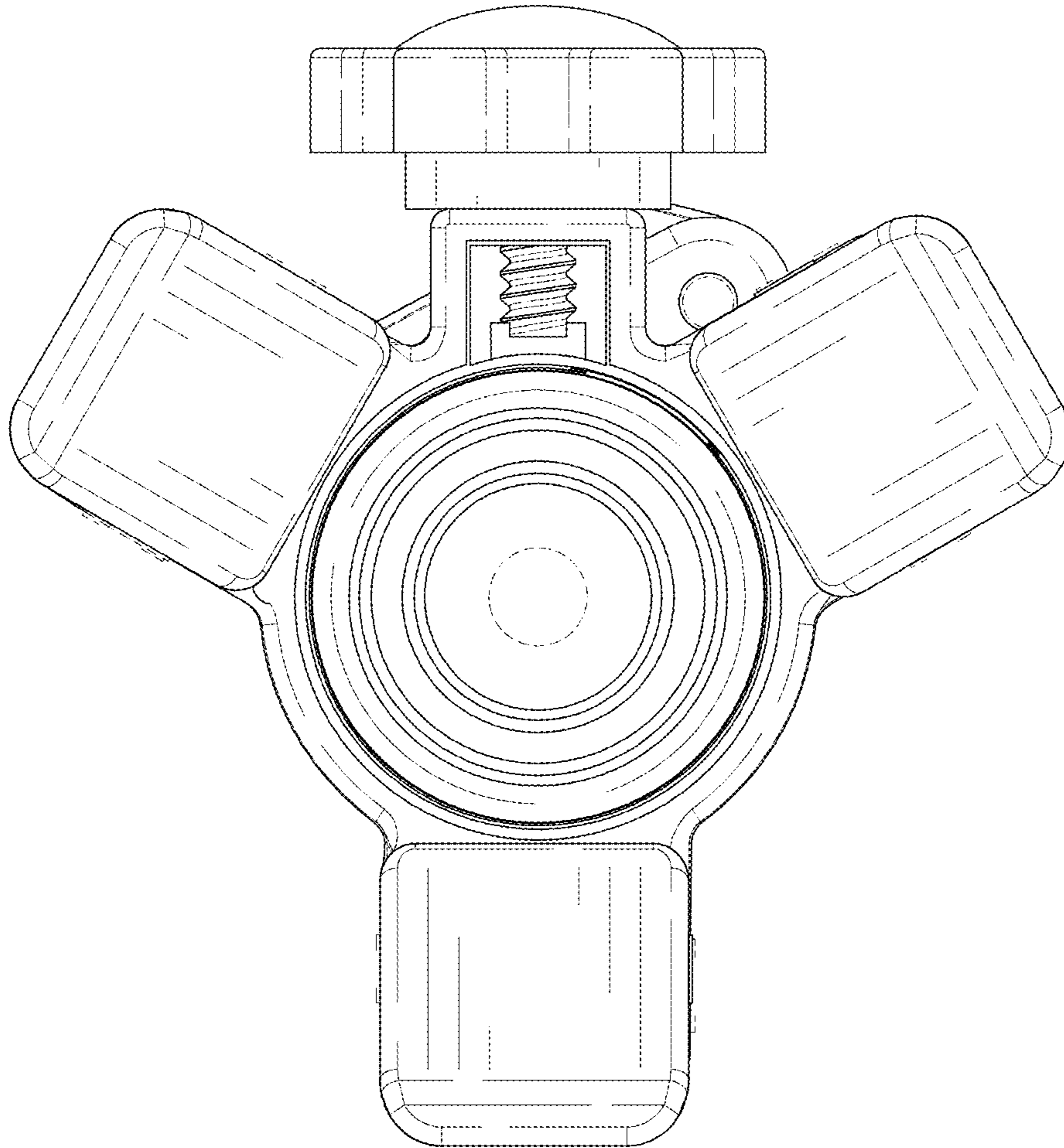


FIG. 8

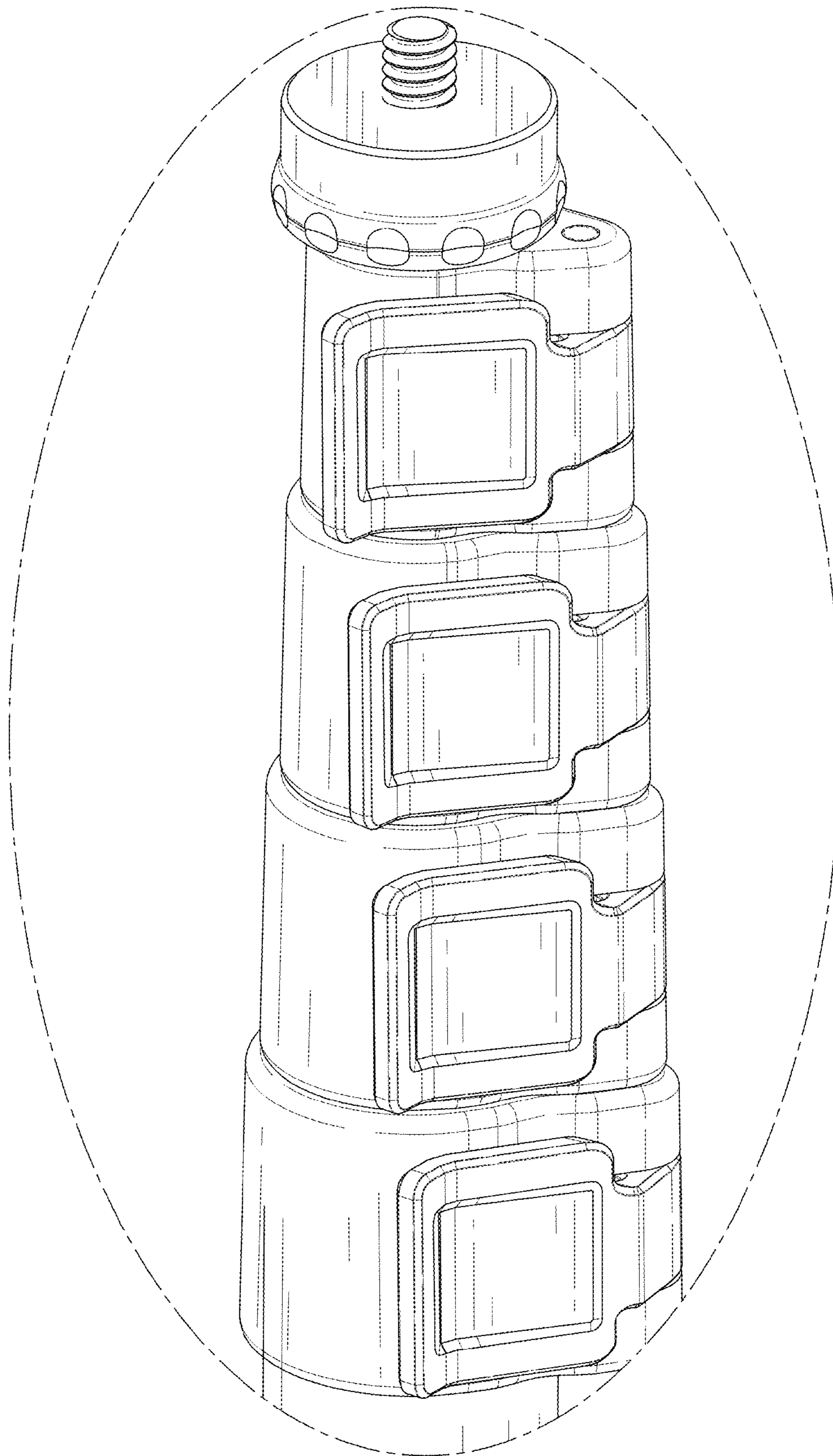


FIG. 9

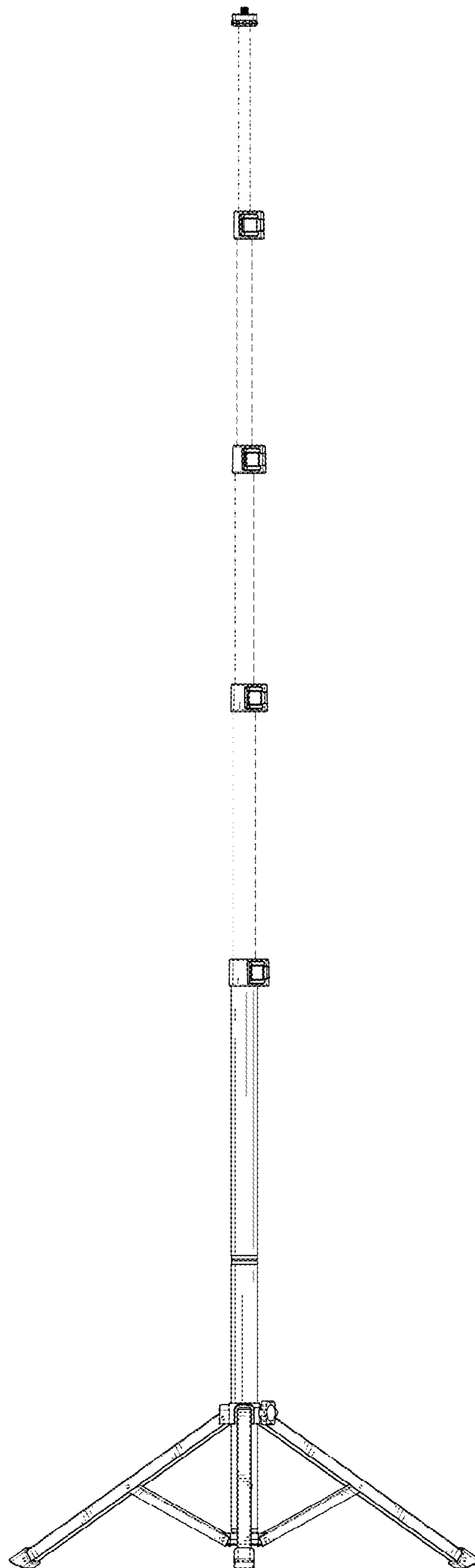


FIG. 10