



US00D901578S

(12) **United States Design Patent**
Wang et al.

(10) **Patent No.:** **US D901,578 S**

(45) **Date of Patent:** **** Nov. 10, 2020**

(54) **TRIPOD**

(71) Applicant: **Shenzhen Aixiangpai E-bussiness Co., Ltd**, Shenzhen (CN)

(72) Inventors: **Xiaodong Wang**, Shenzhen (CN);
Zhiyuan Han, Shenzhen (CN)

(**) Term: **15 Years**

(21) Appl. No.: **29/739,688**

(22) Filed: **Jun. 29, 2020**

(51) **LOC (12) Cl.** **16-05**

(52) **U.S. Cl.**
USPC **D16/244**

(58) **Field of Classification Search**

USPC D16/237–250, 219; D14/224, 229, 238,
D14/251, 253, 447, 451, 457; D8/354,
D8/355, 363, 373, 382–383, 394–396
CPC G03B 17/56; G03B 17/561–566; F16M
11/06–10; A45F 5/00; A45F 5/10
See application file for complete search history.

(56) **References Cited**

U.S. PATENT DOCUMENTS

| | | | | |
|-------------------|---------|-----------|-------|-------------------------|
| D268,458 S * | 4/1983 | Schoenig | | D16/244 |
| 4,988,064 A * | 1/1991 | Hoshino | | F16M 11/2057 248/170 |
| D326,105 S * | 5/1992 | Doi | | D16/244 |
| D333,479 S * | 2/1993 | Chun-Mao | | D16/244 |
| D335,889 S * | 5/1993 | Gibran | | 15/22.1 |
| D421,447 S * | 3/2000 | Eason | | D16/244 |
| D450,339 S * | 11/2001 | Eason | | D16/244 |
| D552,660 S * | 10/2007 | Lee | | D16/242 |
| D570,618 S * | 6/2008 | Tai | | D14/229 |
| D657,977 S * | 4/2012 | Belitz | | D6/681.1 |
| D720,384 S * | 12/2014 | Holmen | | D16/244 |
| D857,084 S * | 8/2019 | Chen | | D16/244 |
| D857,085 S | 8/2019 | Yamaguchi | | |
| D895,716 S * | 9/2020 | Chen | | D16/244 |
| 2005/0194503 A1 * | 9/2005 | Lee | | F16M 11/28 248/188.5 |

OTHER PUBLICATIONS

AmazonBasics Aluminum Light Photography Tripod Stand with Case—2.8-6.7 Feet, Black. [online] First available Feb. 19, 2018. Retrieved from URL: <https://www.amazon.com/AmazonBasics-Aluminum-7-Foot-Light-Stand/dp/B074VNRN5X?th=1>.*

(Continued)

Primary Examiner — Vy N Koenig

(57) **CLAIM**

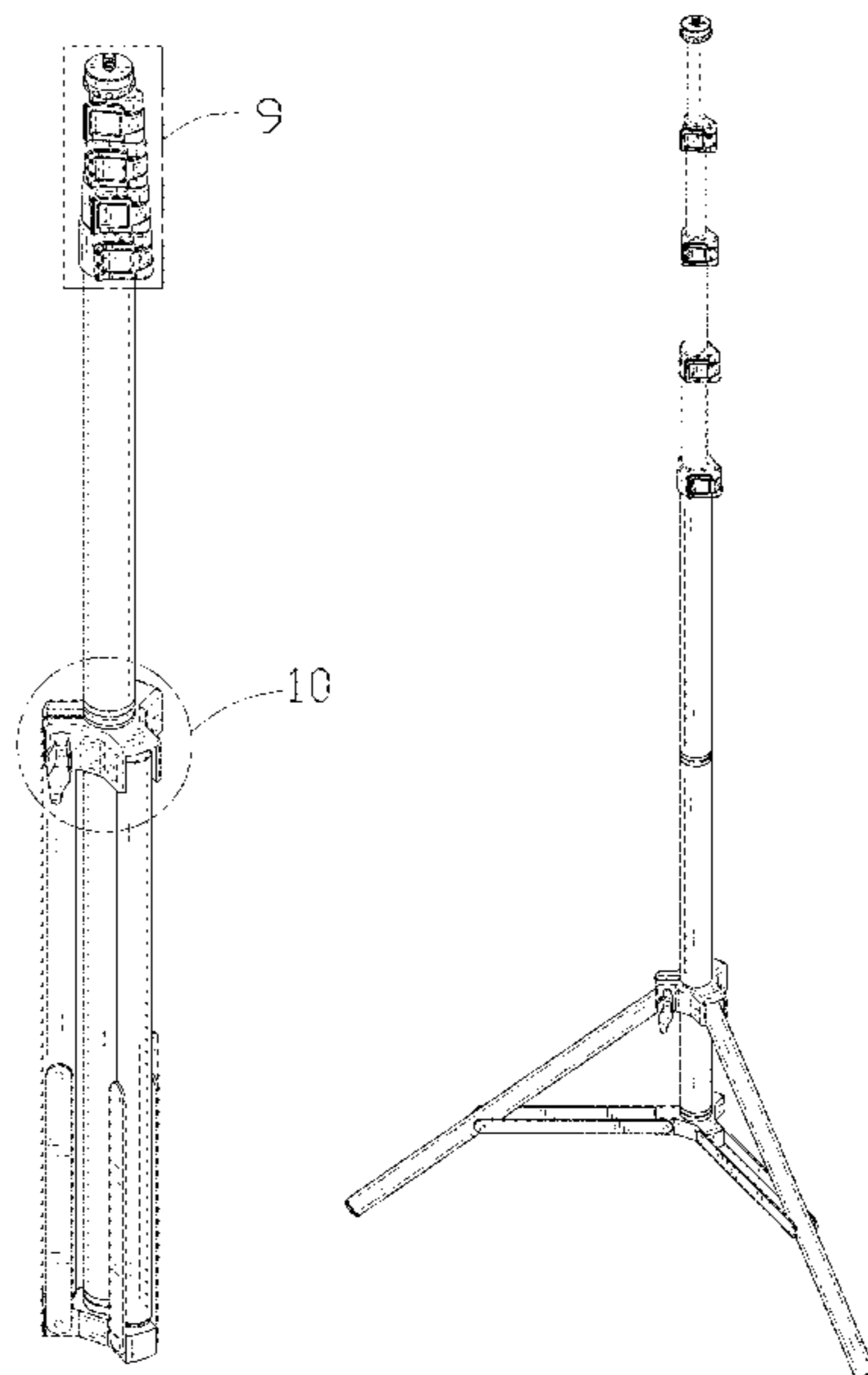
The ornamental design for a tripod, as shown and described.

DESCRIPTION

FIG. 1 is a front and top perspective view of a tripod, showing our new design;
FIG. 2 is a rear and bottom perspective view thereof;
FIG. 3 is a front elevational view thereof;
FIG. 4 is a rear elevational view thereof;
FIG. 5 is a left side elevational view thereof;
FIG. 6 is a right side elevational view thereof;
FIG. 7 is a top plan view thereof;
FIG. 8 is a bottom plan view thereof;
FIG. 9 is an enlarged view of a portion indicated with numeric 9 in FIG. 1;
FIG. 10 is an enlarged view of a portion indicated with numeric 10 in FIG. 1;
FIG. 11 is an enlarged view of a portion indicated with numeric 11 in FIG. 2; and,
FIG. 12 is a perspective view thereof, showing the tripod in a stretched position.

The dashed broken lines in the figures illustrate portions of the article that form no part of the claimed design. The dash dot dash lines in FIGS. 1, 2, 9, 10 and 11 are for the purpose of depicting the cut line of the enlarged view and form no part of the claim.

1 Claim, 12 Drawing Sheets



(56)

References Cited

OTHER PUBLICATIONS

Impact Heavy-Duty Light Stand (Black, 13'). [online] First available Mar. 28, 2011. Retrieved from URL: https://www.amazon.com/Impact-Heavy-Light-Stand-Black/dp/B004U5F3BC/ref=zg_bs_3348051_54?_encoding=UTF8&psc=1&refRID=DARSWG3H6G3MWSZ7EX6.*

* cited by examiner

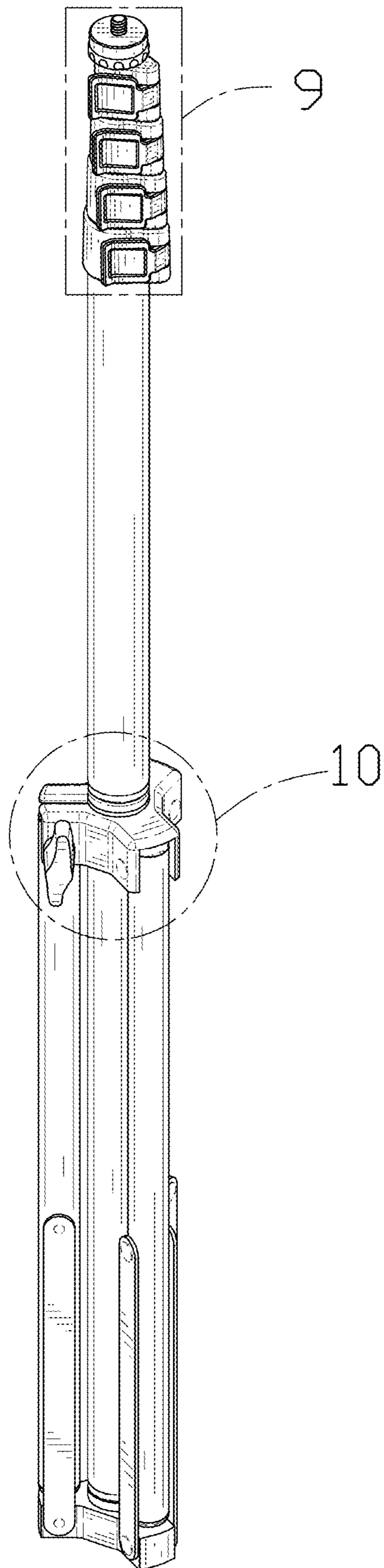


FIG. 1

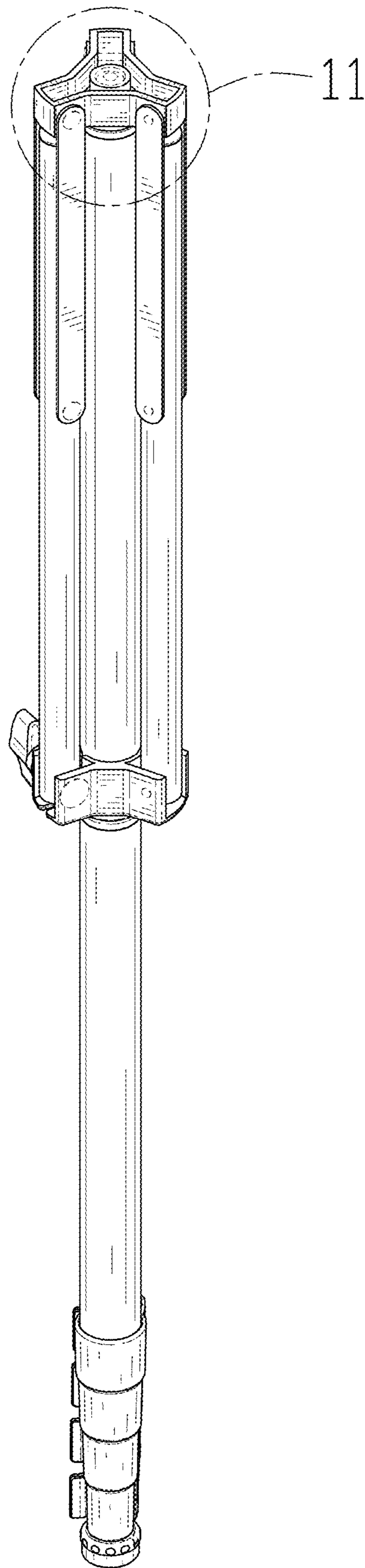


FIG. 2

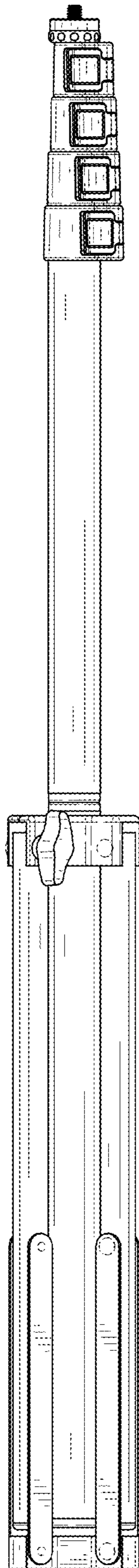


FIG. 3

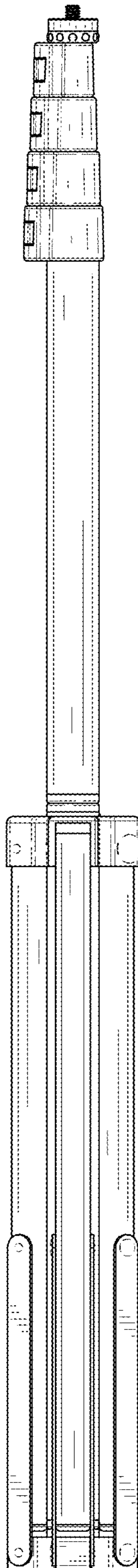


FIG. 4

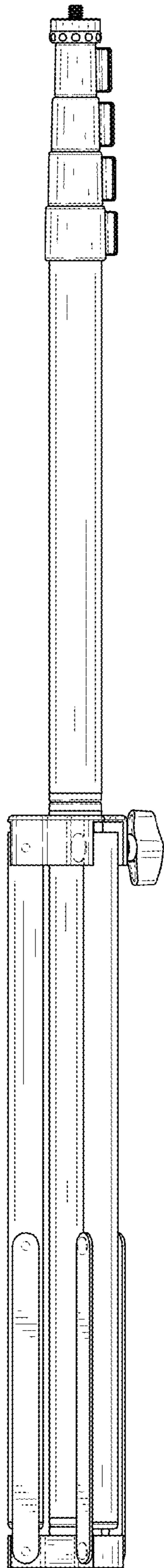


FIG. 5

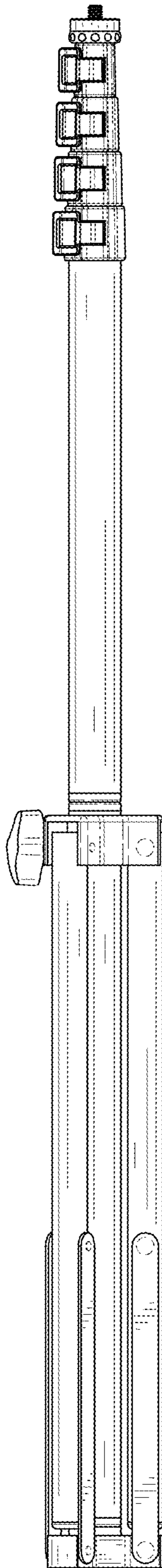


FIG. 6

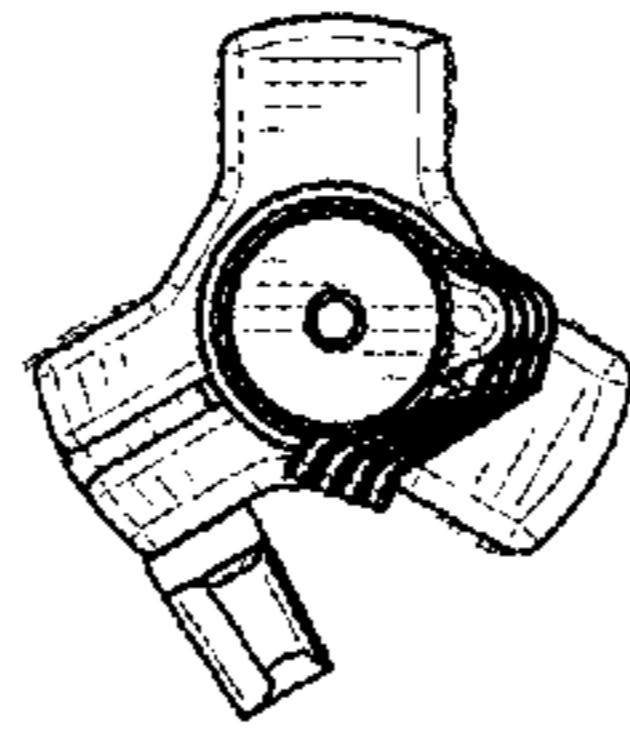


FIG. 7

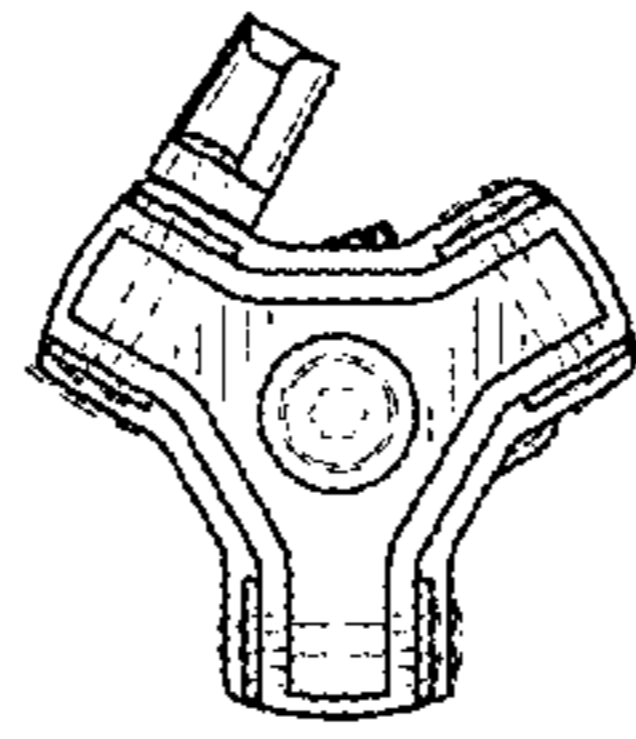


FIG. 8

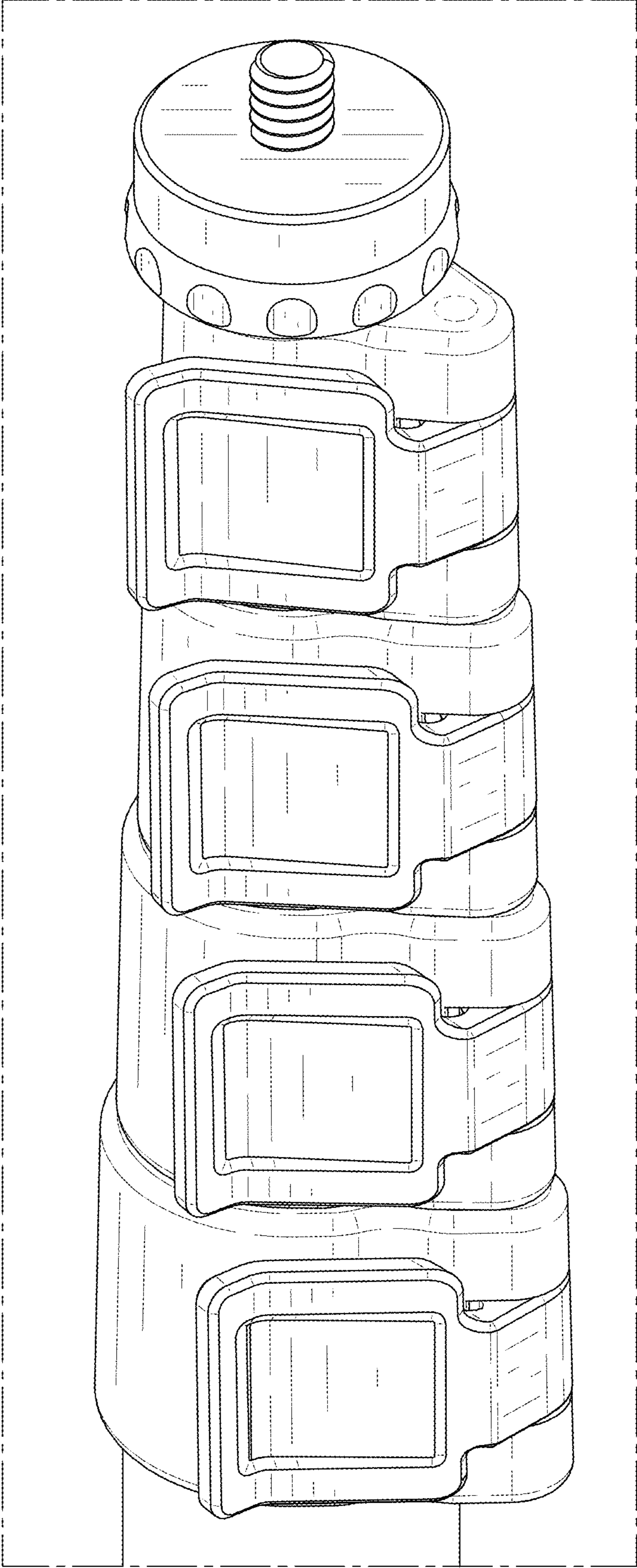


FIG. 9

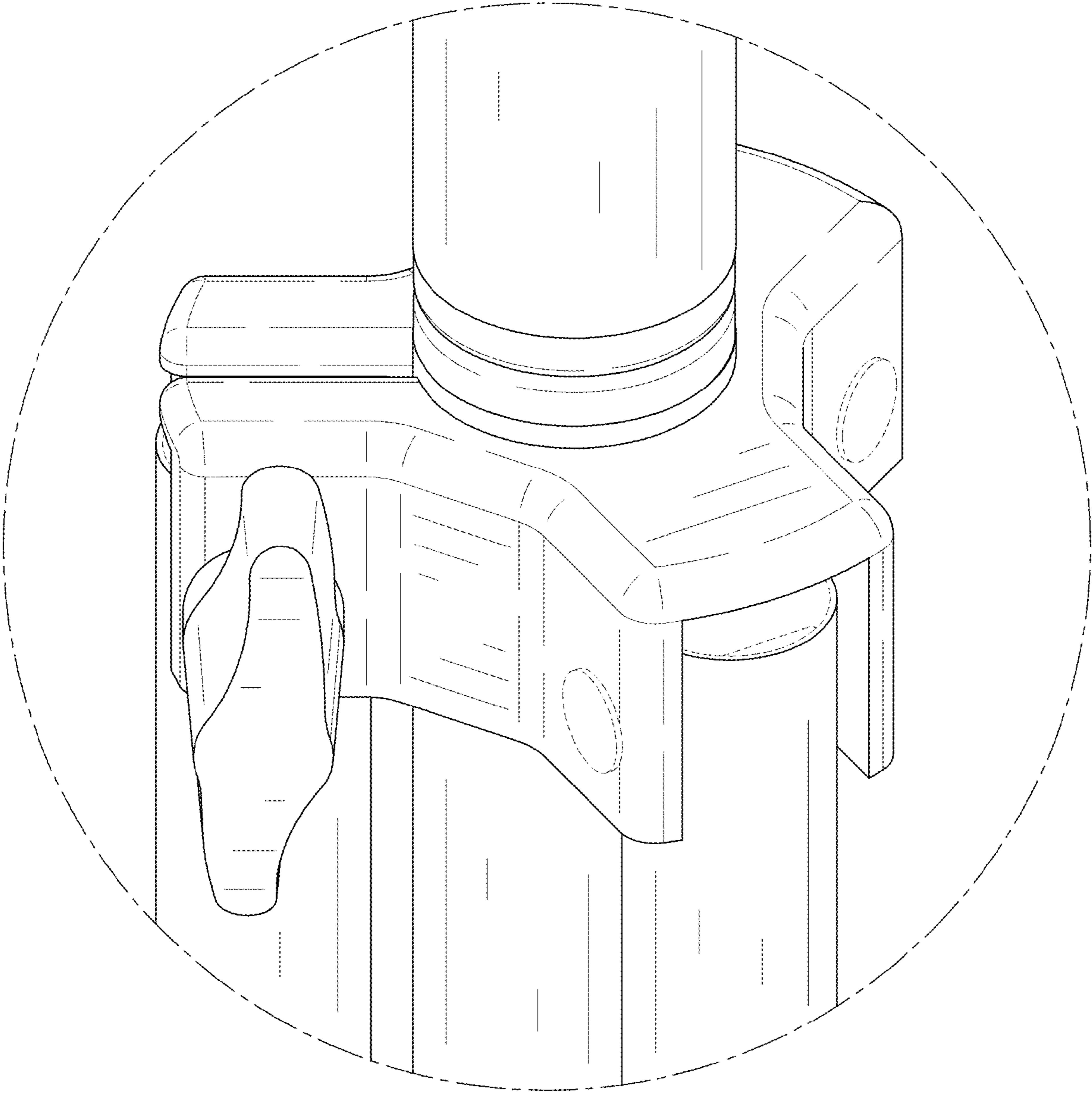


FIG. 10

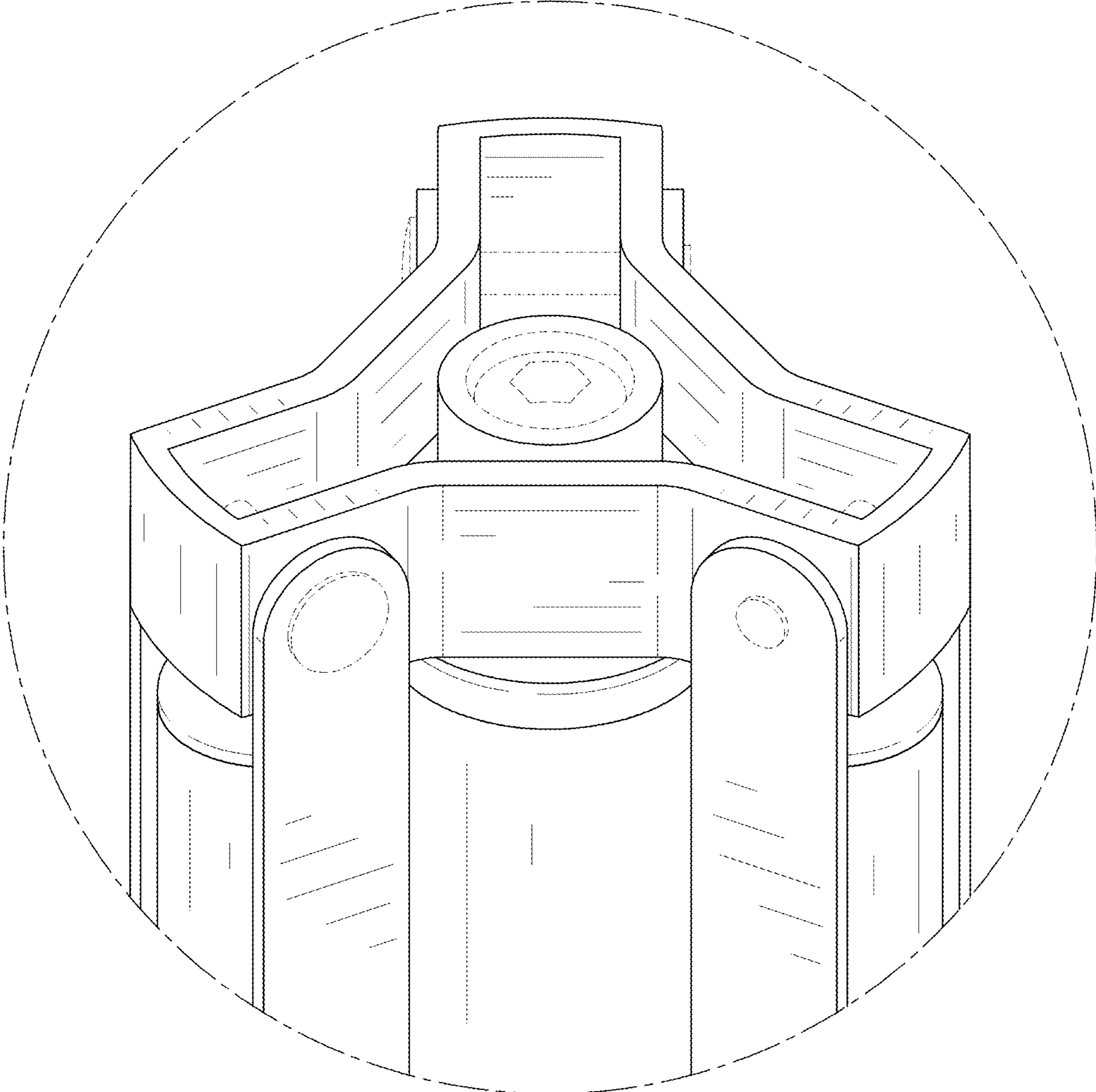


FIG. 11

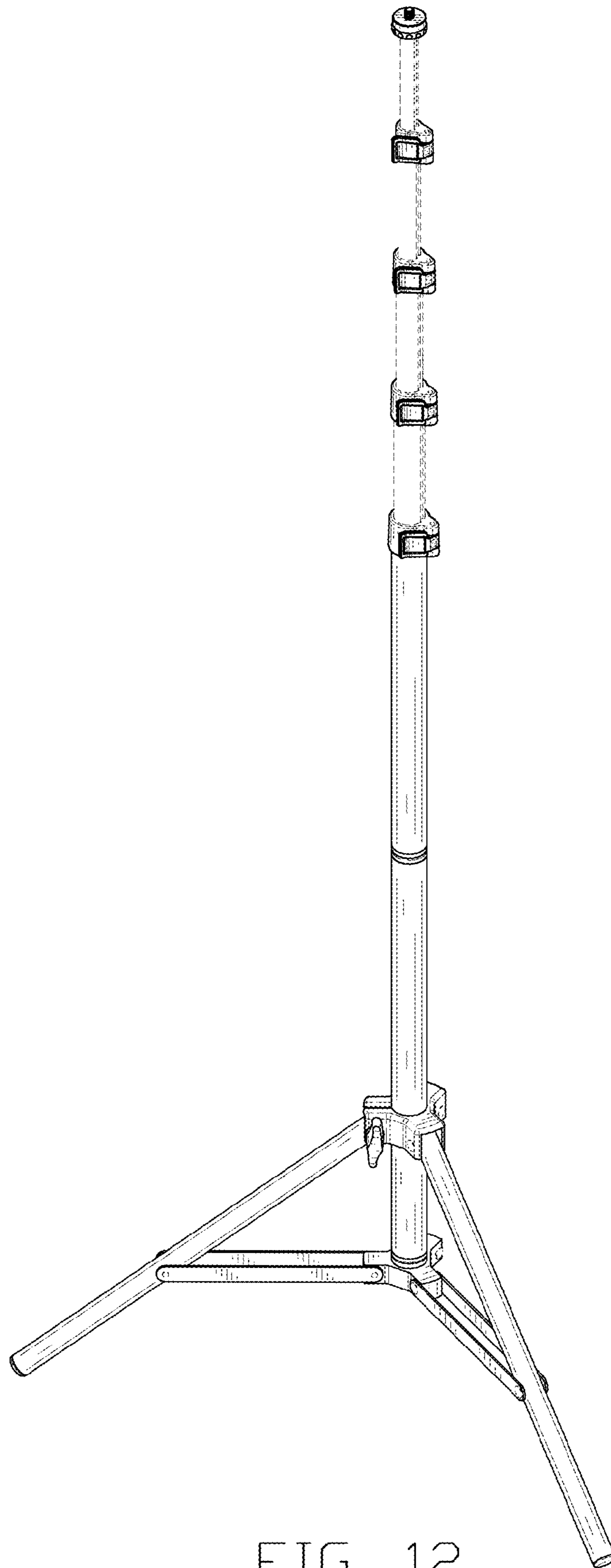


FIG. 12