



US00D901577S

(12) **United States Design Patent**  
**Zheng**

(10) **Patent No.:** **US D901,577 S**

(45) **Date of Patent:** **\*\* Nov. 10, 2020**

(54) **WIRELESS PICO PROJECTOR**  
(71) Applicant: **Shenzhen Suichen Technology Co. Ltd**, Shenzhen (CN)  
(72) Inventor: **Li An Zheng**, Shenzhen (CN)  
(73) Assignee: **SHENZHEN SUICHEN TECHNOLOGY CO. LTD.**, Shenzhen (CN)  
(\*\*) Term: **15 Years**

(21) Appl. No.: **29/696,673**  
(22) Filed: **Jun. 28, 2019**  
(51) **LOC (12) Cl.** ..... **16-02**  
(52) **U.S. Cl.**  
USPC ..... **D16/230**  
(58) **Field of Classification Search**  
USPC ..... D16/221, 225, 230-231, 234; D21/514;  
353/119  
CPC ..... G03B 21/145; G03B 21/14; G03B 21/16;  
G03B 21/12; G03B 21/001; G03B  
21/003; G03B 21/00  
See application file for complete search history.

(56) **References Cited**

**U.S. PATENT DOCUMENTS**

D500,070 S \* 12/2004 Yamaguchi ..... D16/225  
D516,109 S \* 2/2006 Naruki ..... D16/225

D709,120 S \* 7/2014 Isozaki ..... D16/235  
8,985,783 B2 \* 3/2015 Kurosaki ..... G03B 21/14  
353/84  
D850,516 S \* 6/2019 Zhang ..... D16/230  
D879,182 S \* 3/2020 Deng ..... D16/230  
D882,670 S \* 4/2020 He ..... D16/230  
D884,058 S \* 5/2020 He ..... D16/230

\* cited by examiner

*Primary Examiner* — Wan Laymon

(74) *Attorney, Agent, or Firm* — Cooper Legal Group, LLC

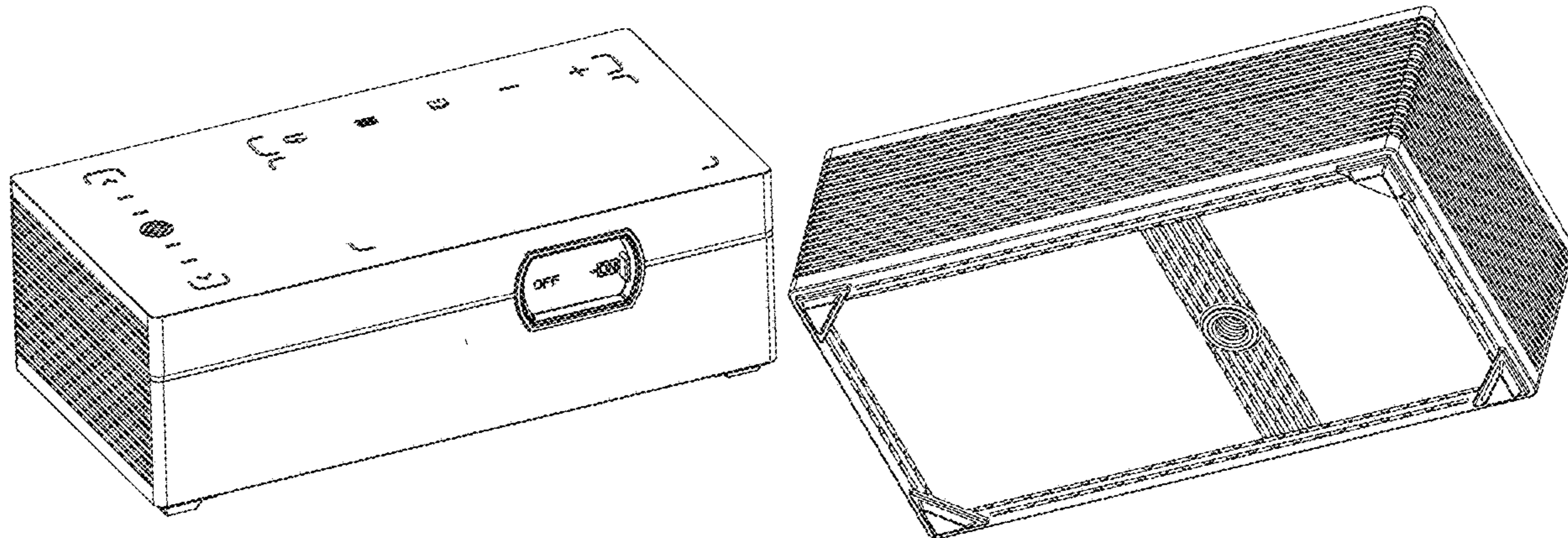
(57) **CLAIM**

The ornamental design for a wireless pico projector, as shown and described.

**DESCRIPTION**

FIG. 1 is a front elevational view of a wireless pico projector showing my new design;  
FIG. 2 is a rear elevational view thereof;  
FIG. 3 is a left side elevational view thereof;  
FIG. 4 is a right side elevational view thereof;  
FIG. 5 is a top plan view thereof;  
FIG. 6 is a bottom plan view thereof;  
FIG. 7 is a front perspective view thereof;  
FIG. 8 is a rear perspective view thereof; and,  
FIG. 9 is a bottom perspective view thereof.

**1 Claim, 8 Drawing Sheets**



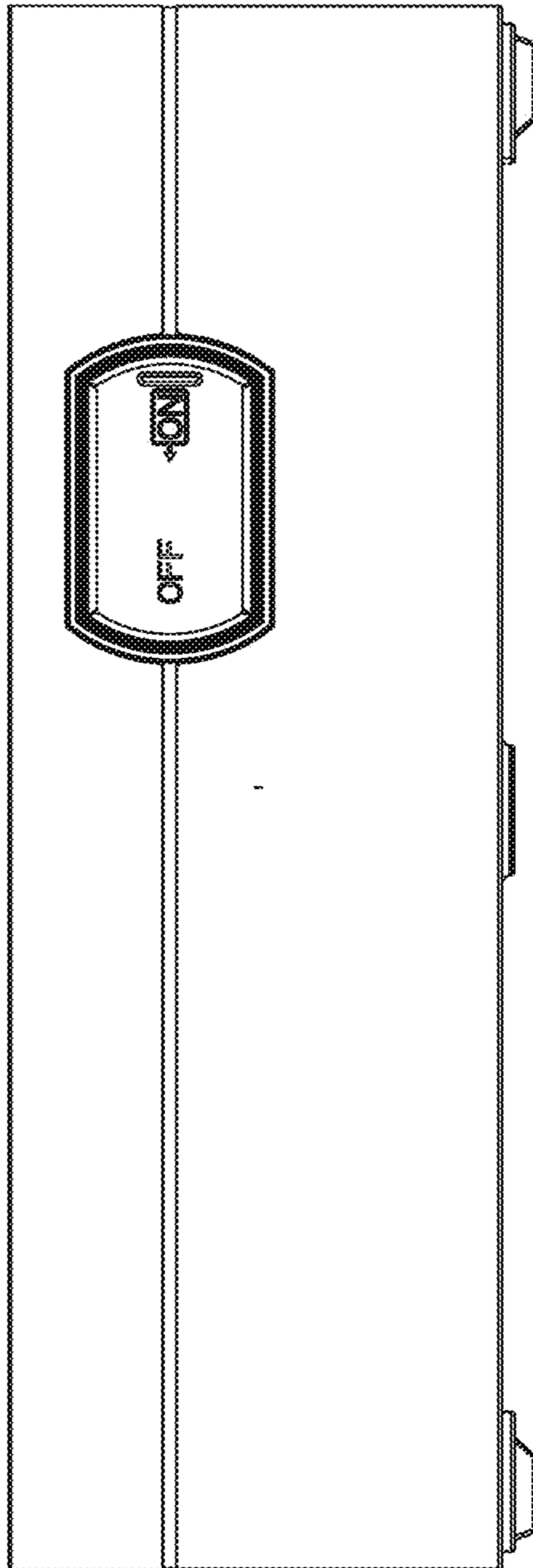


FIG. 1

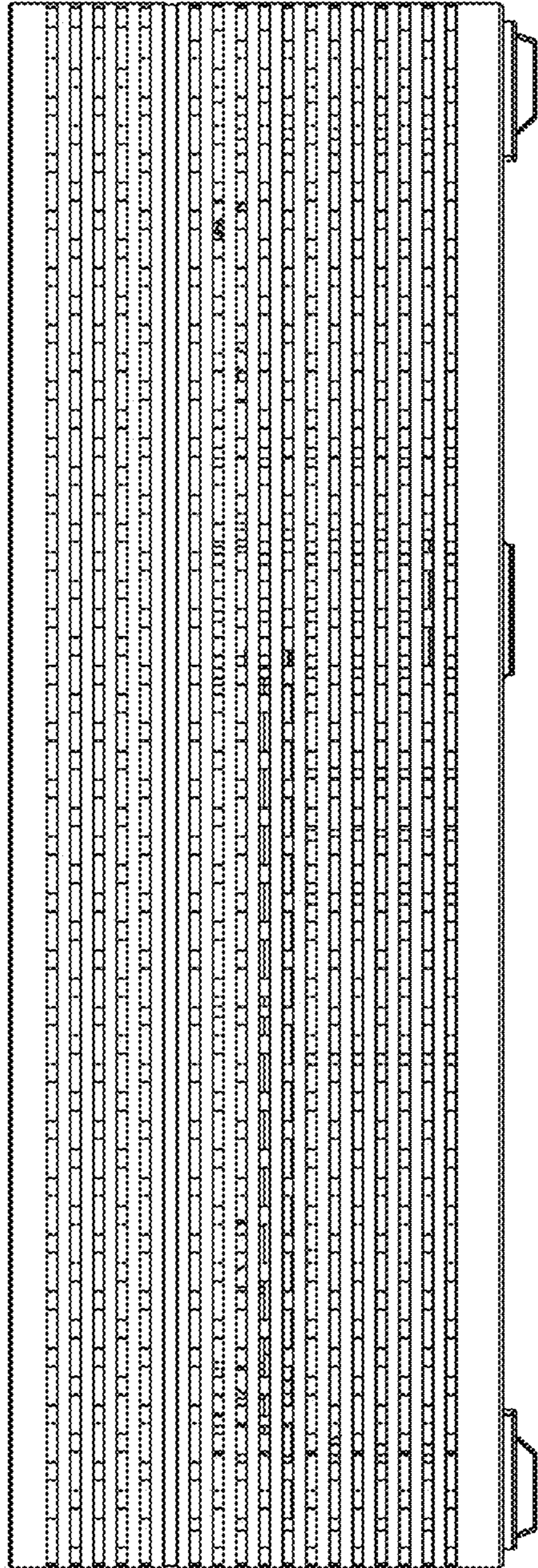


FIG. 2

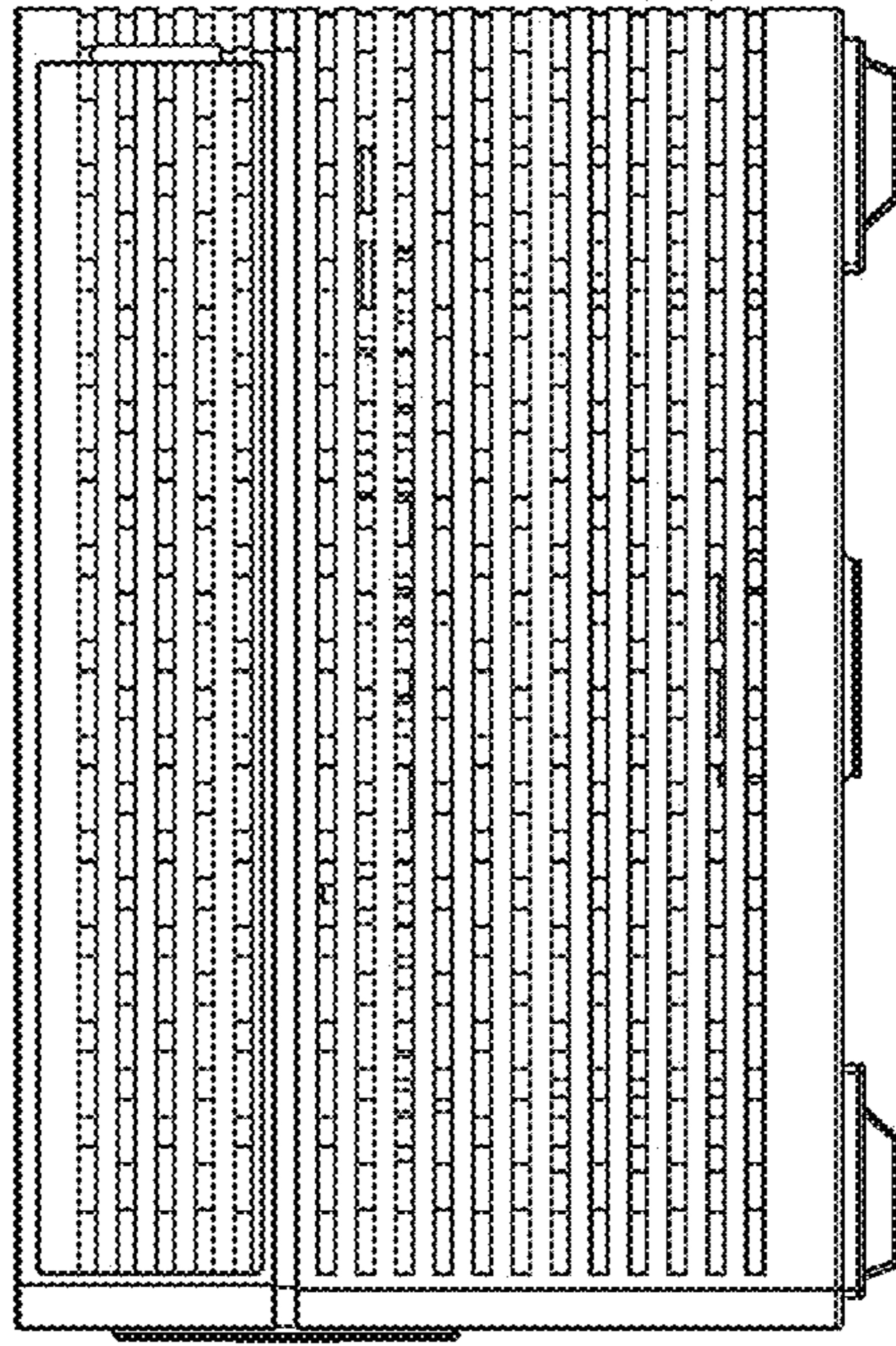


FIG. 4

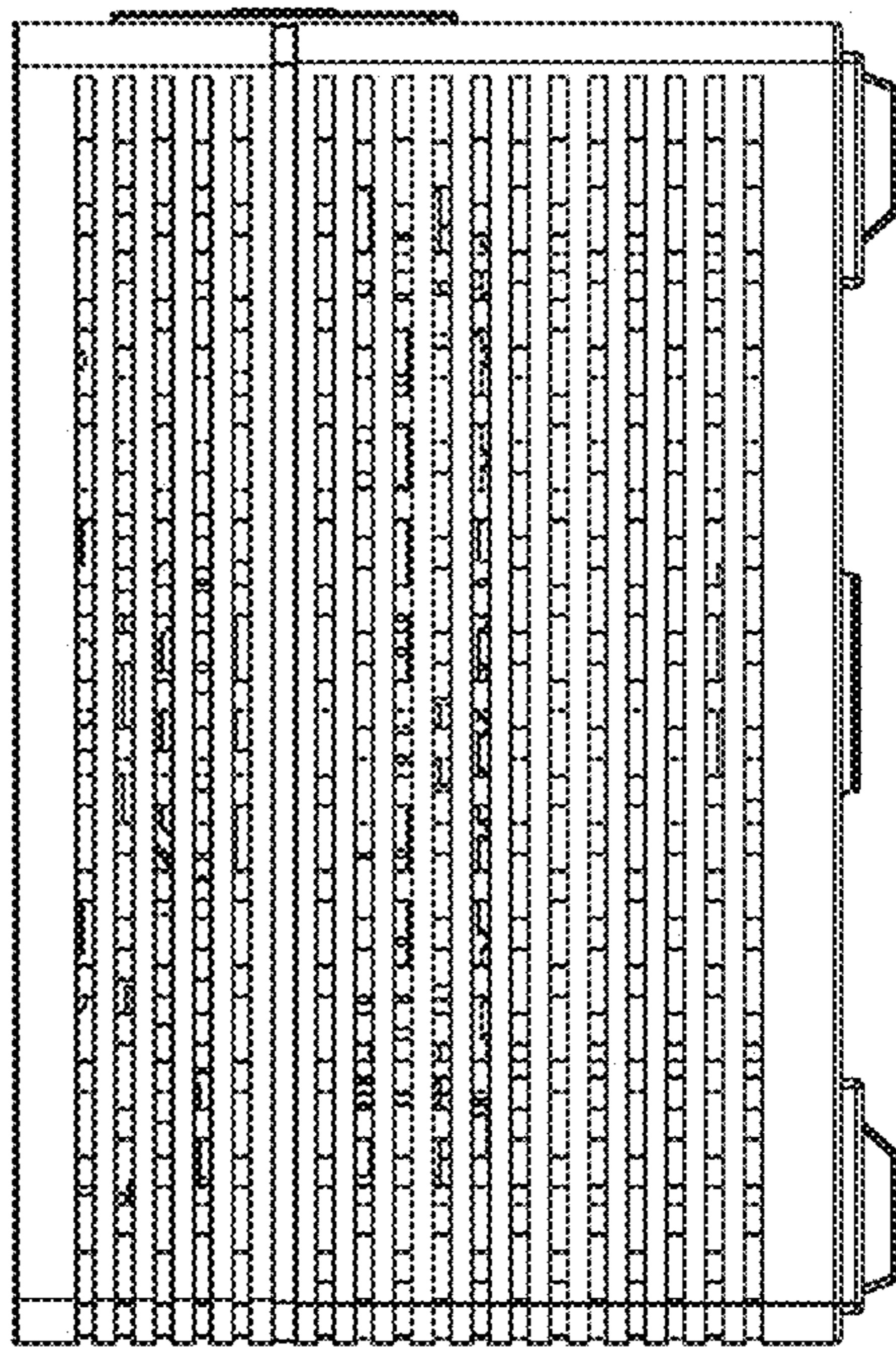


FIG. 3

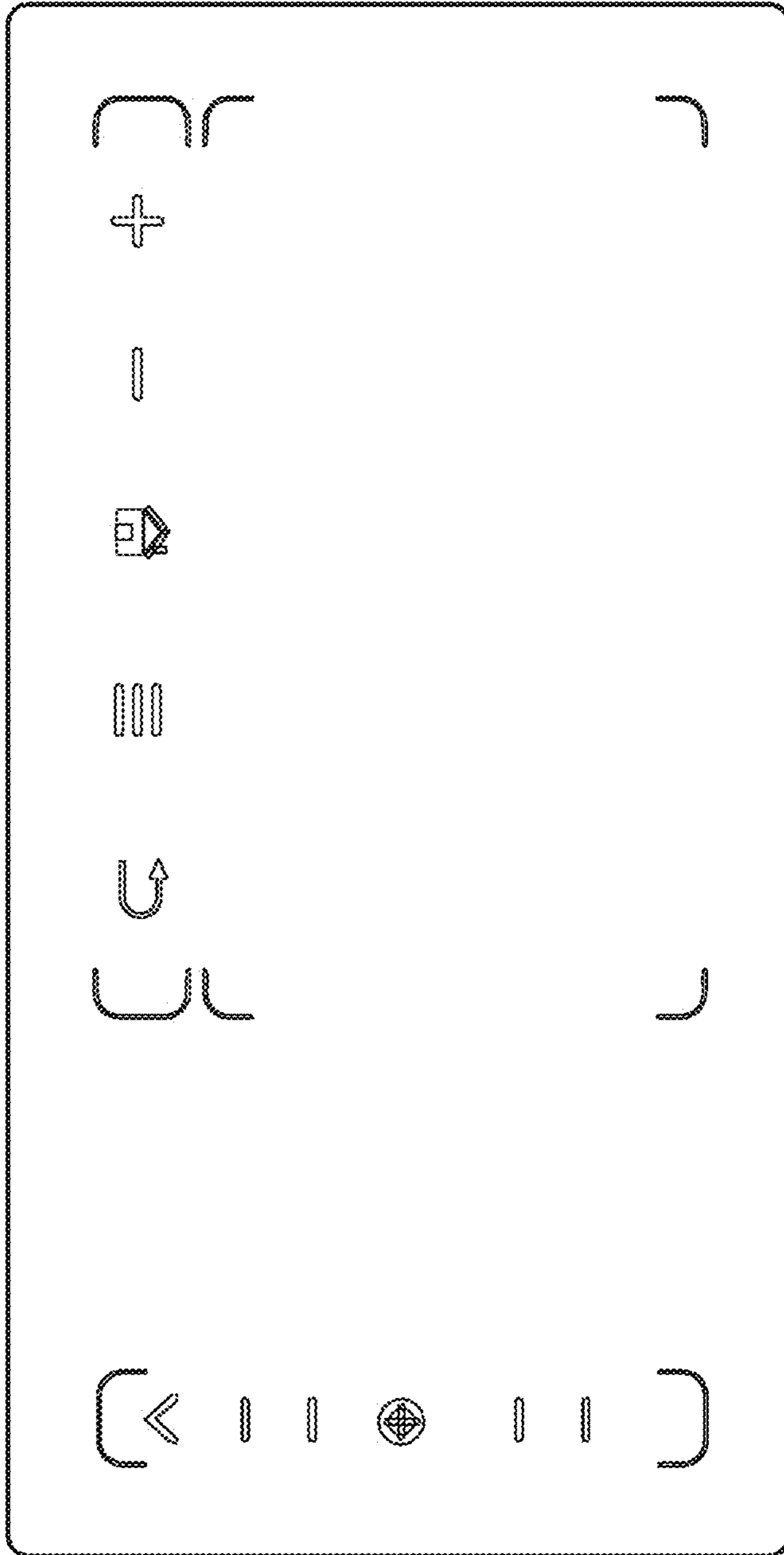


FIG. 5

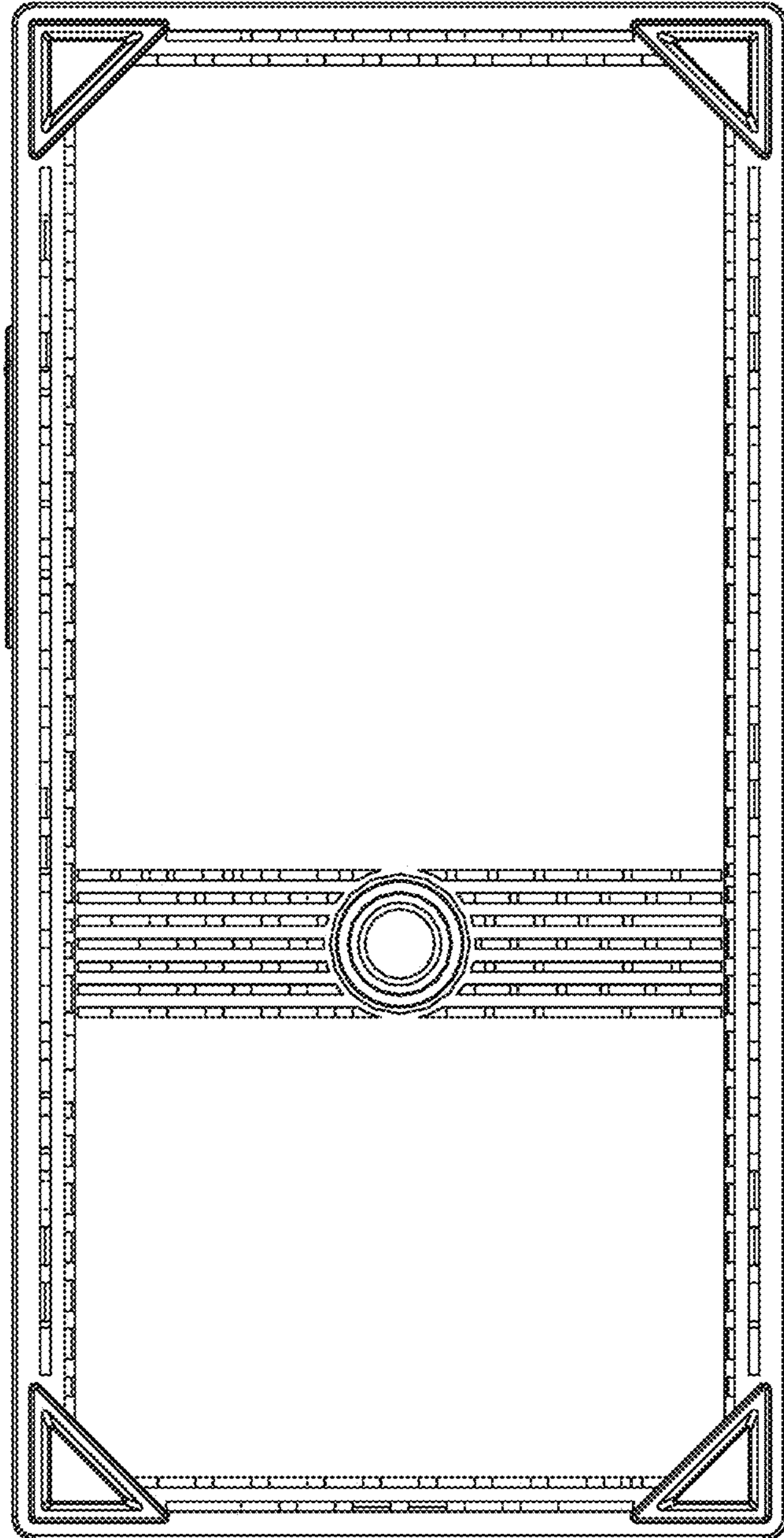


FIG. 6

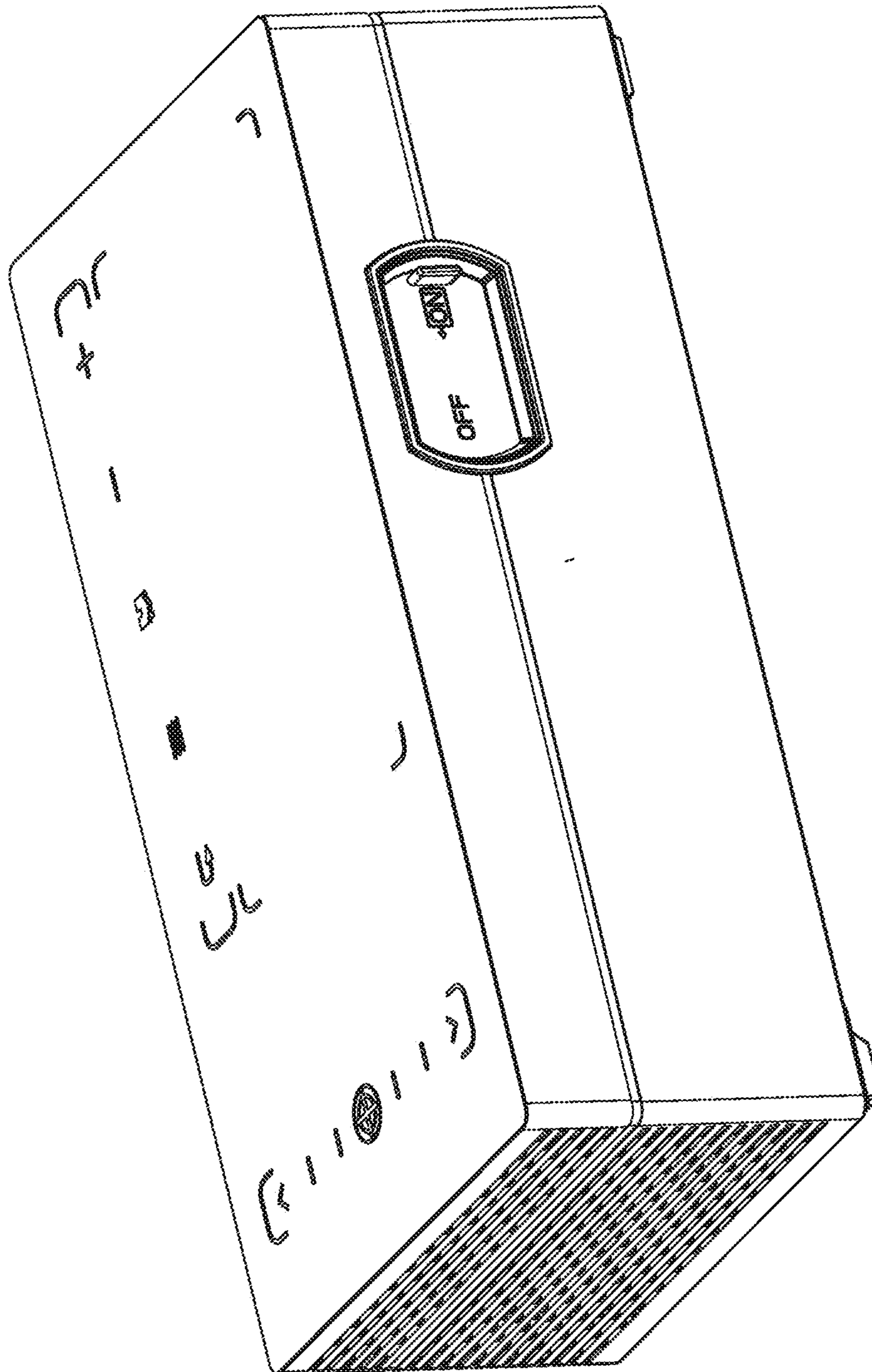


FIG. 7

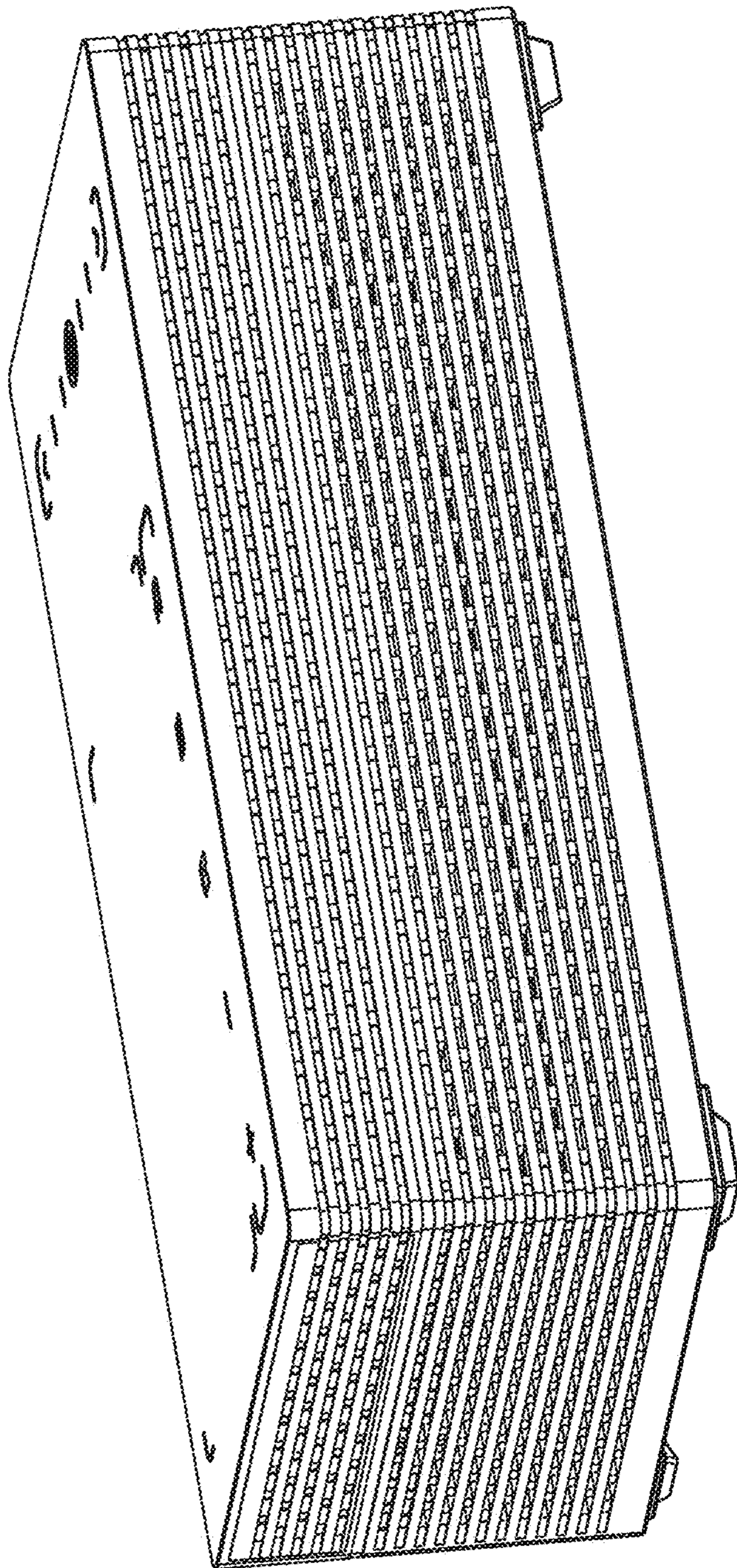


FIG. 8



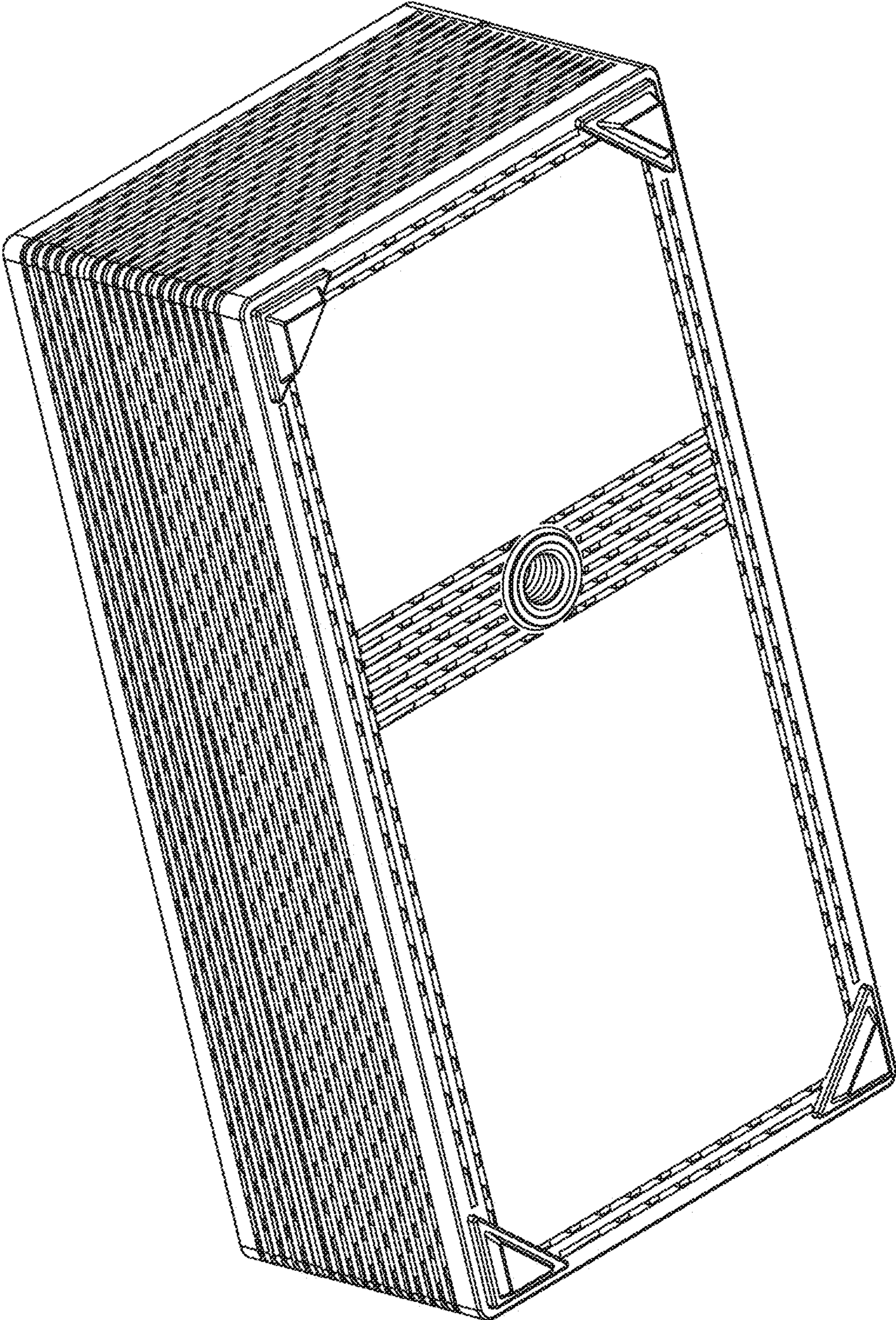


FIG. 9