

US00D901576S

(12) **United States Design Patent**  
**Yuyama**

(10) **Patent No.:** **US D901,576 S**  
(45) **Date of Patent:** **\*\* Nov. 10, 2020**

(54) **PROJECTOR**

(71) Applicant: **Panasonic Intellectual Property Management Co., Ltd., Osaka (JP)**

(72) Inventor: **Keiji Yuyama, Tokyo (JP)**

(73) Assignee: **Panasonic Intellectual Property Management Co., Ltd., Osaka (JP)**

(\*\*) Term: **15 Years**

(21) Appl. No.: **29/694,010**

(22) Filed: **Jun. 6, 2019**

(30) **Foreign Application Priority Data**

Apr. 17, 2019 (JP) ..... 2019-008465

(51) **LOC (12) Cl.** ..... **16-02**

(52) **U.S. Cl.**  
USPC ..... **D16/230**

(58) **Field of Classification Search**  
USPC ..... D16/221, 225, 227, 229-231, 234, 203,  
D16/208; D21/514; 353/115, 119-120,  
353/122

CPC ..... G03B 21/145; G03B 21/14; G03B 21/16;  
G03B 21/12; G03B 21/001; G03B  
21/003; G03B 21/00

See application file for complete search history.

(56) **References Cited**

**U.S. PATENT DOCUMENTS**

D667,480 S \* 9/2012 Yamada ..... D16/230  
8,398,250 B2 \* 3/2013 Adachi ..... G03B 21/145  
353/119

D680,150 S \* 4/2013 Kawaguchi ..... D16/230  
D722,636 S 2/2015 Ishibashi et al.  
D775,681 S \* 1/2017 Yuyama ..... D16/230  
D822,752 S 7/2018 Yuyama

**FOREIGN PATENT DOCUMENTS**

JP D1553809 7/2016  
JP D1641806 \* 10/2018

\* cited by examiner

*Primary Examiner* — Wan Laymon

(74) *Attorney, Agent, or Firm* — Panasonic IP Management; Kerry S. Culpepper

(57) **CLAIM**

The ornamental design for a projector, as shown and described.

**DESCRIPTION**

FIG. 1 is a front perspective view of a projector of the present invention;  
FIG. 2 is a rear perspective view thereof;  
FIG. 3 is a front view thereof;  
FIG. 4 is a rear view thereof;  
FIG. 5 is a first side view thereof;  
FIG. 6 is a second side view thereof;  
FIG. 7 is a top view thereof; and,  
FIG. 8 is a bottom view thereof.

The broken lines shown in the figures depict portions of the projector and form no part of the claimed design.

**1 Claim, 8 Drawing Sheets**

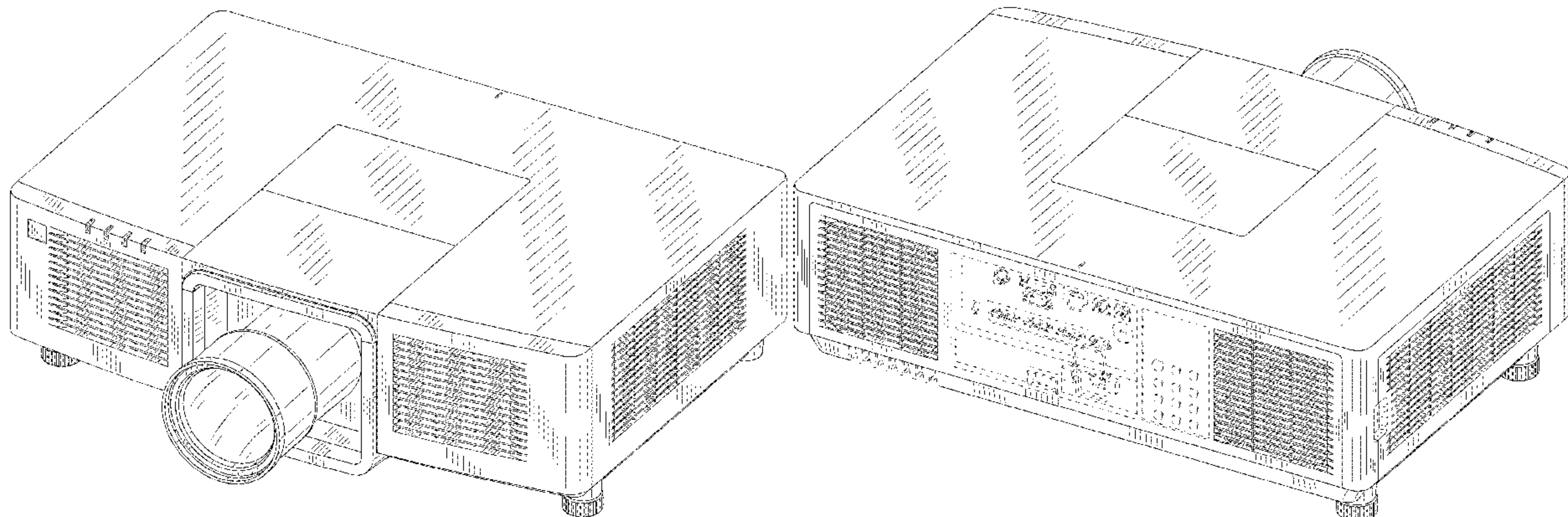


FIG. 1

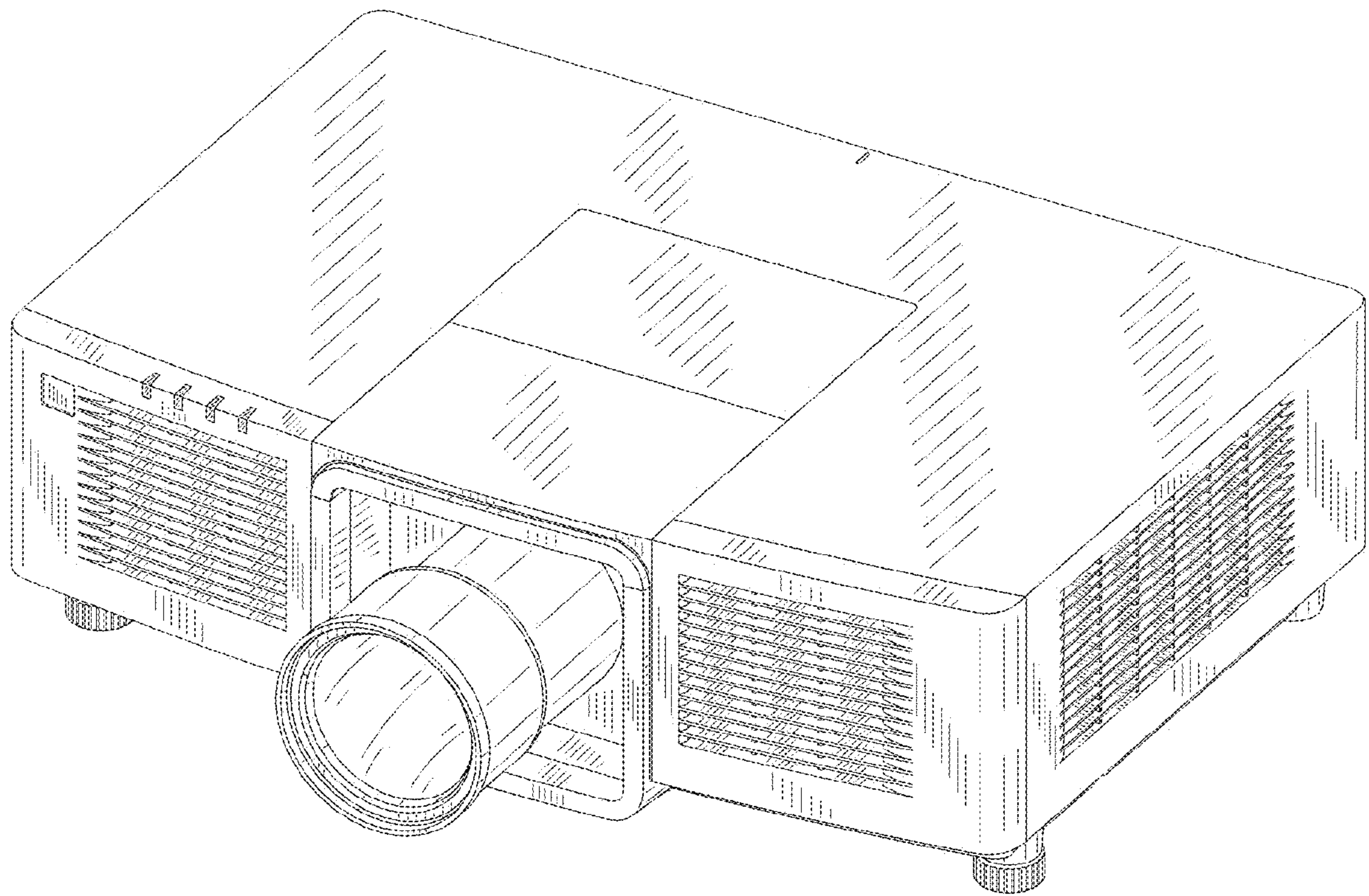




FIG. 2

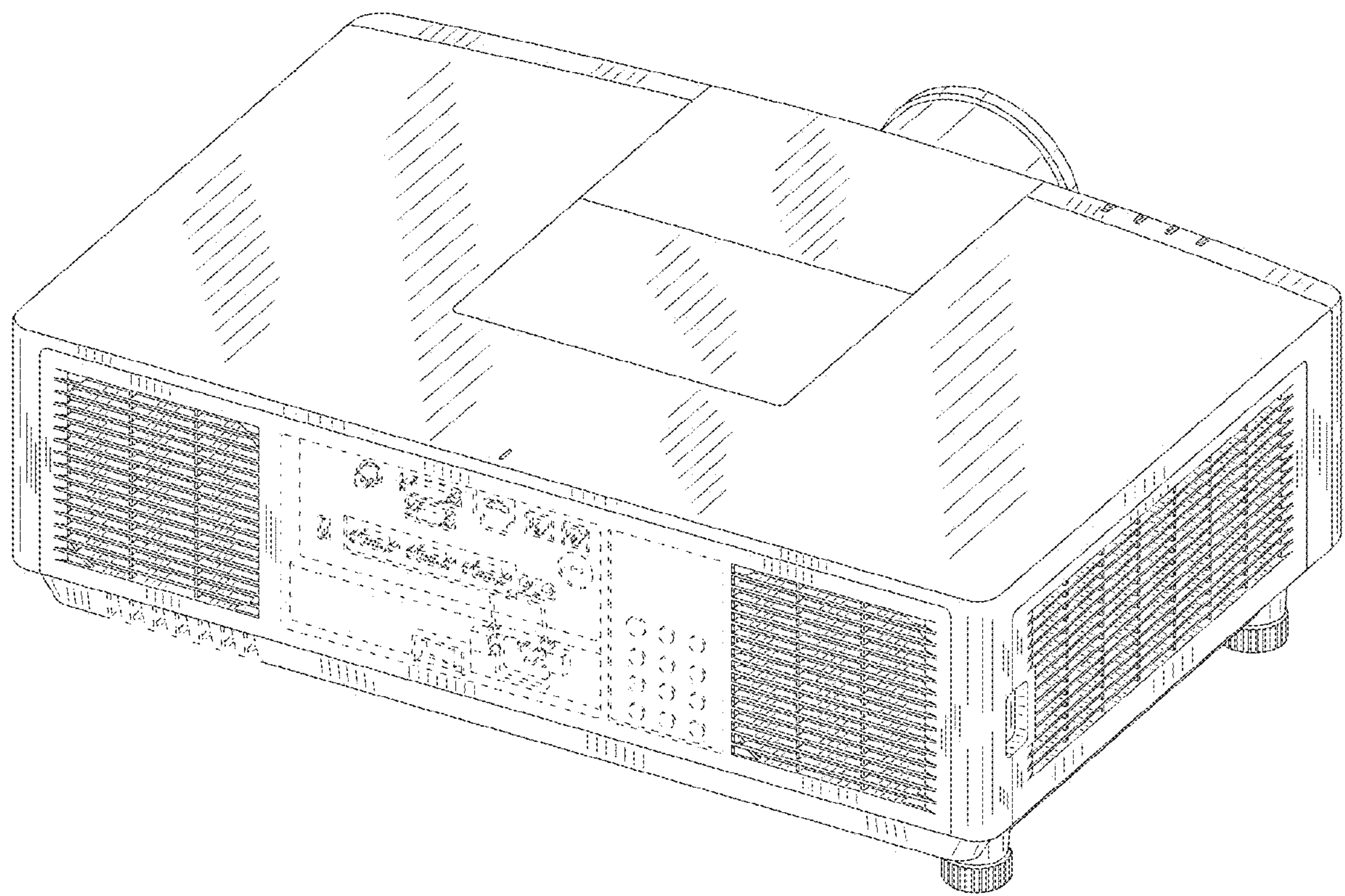


FIG. 3

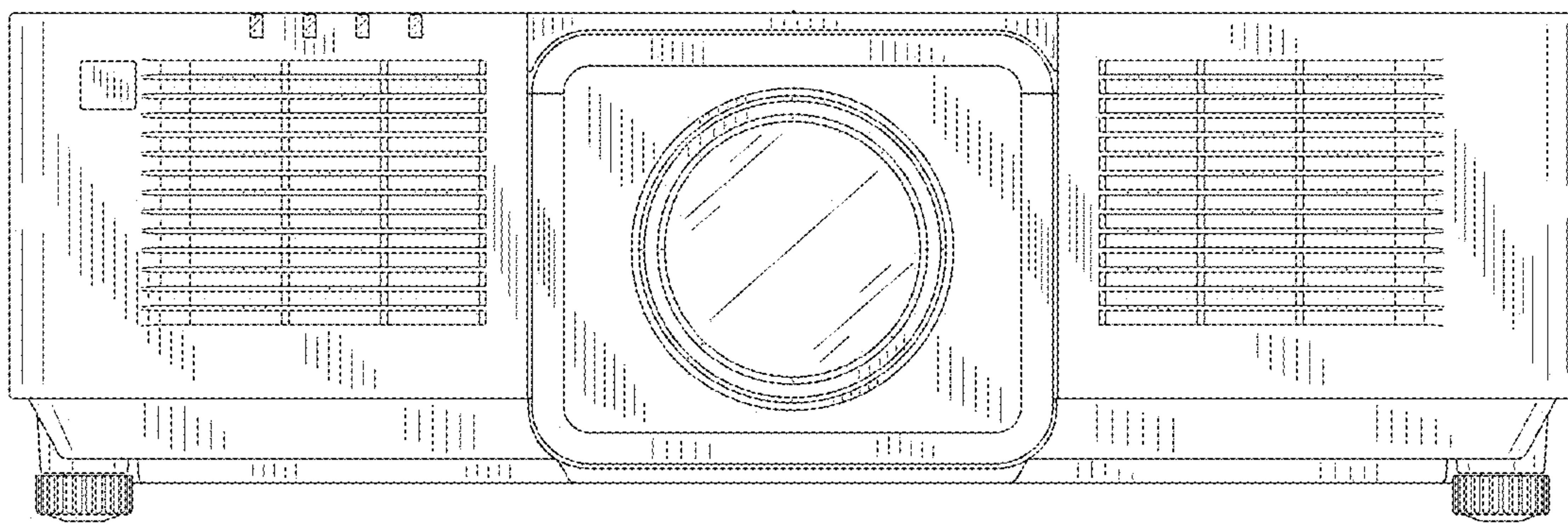


FIG. 4

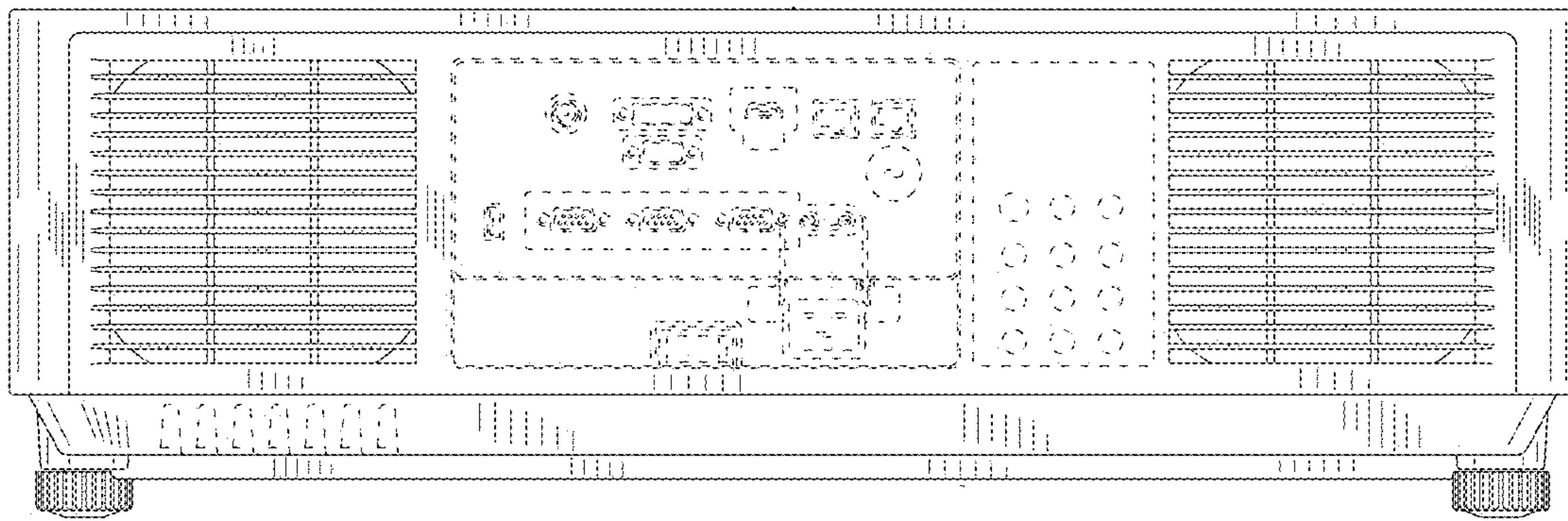


FIG. 5

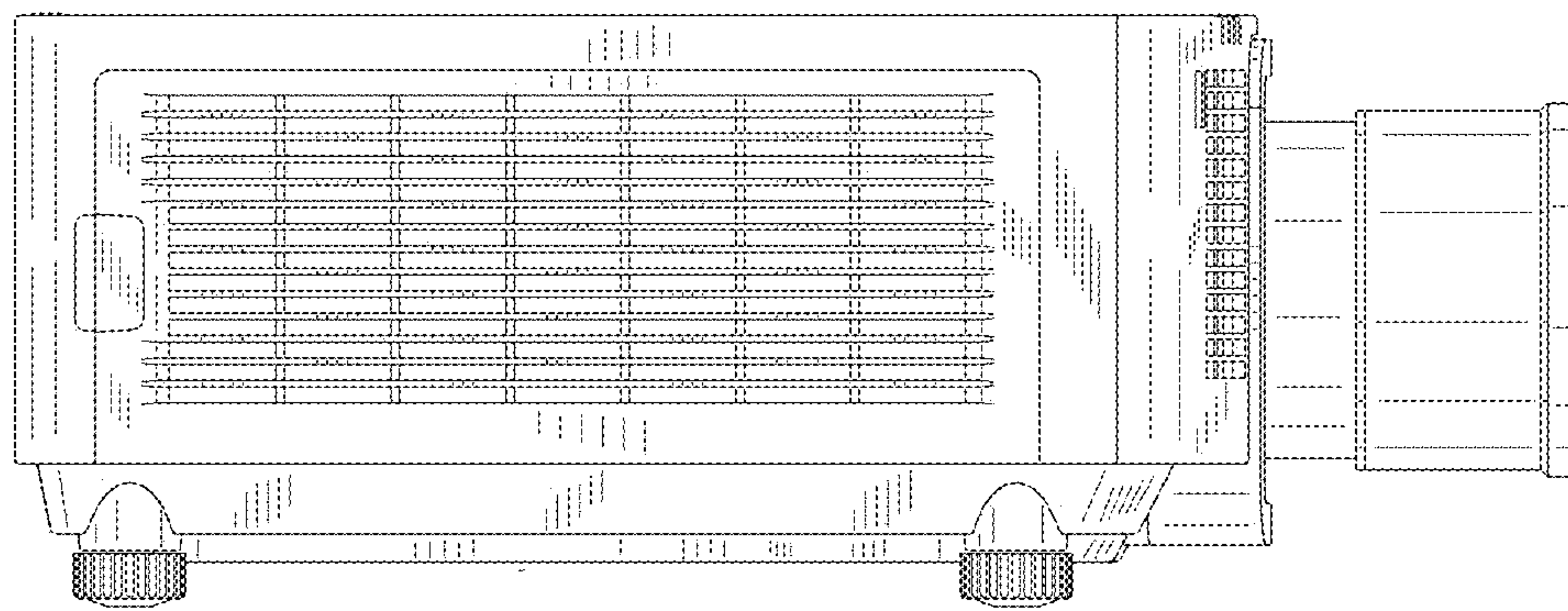


FIG. 6

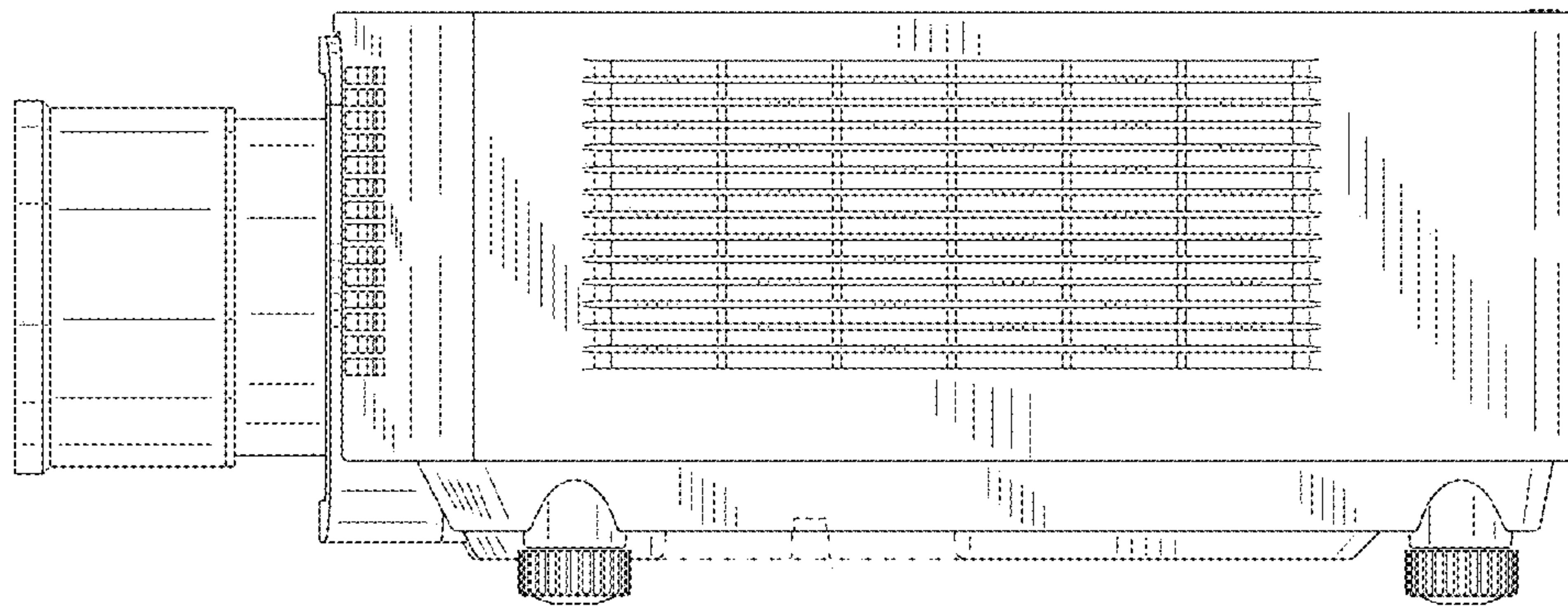


FIG. 7

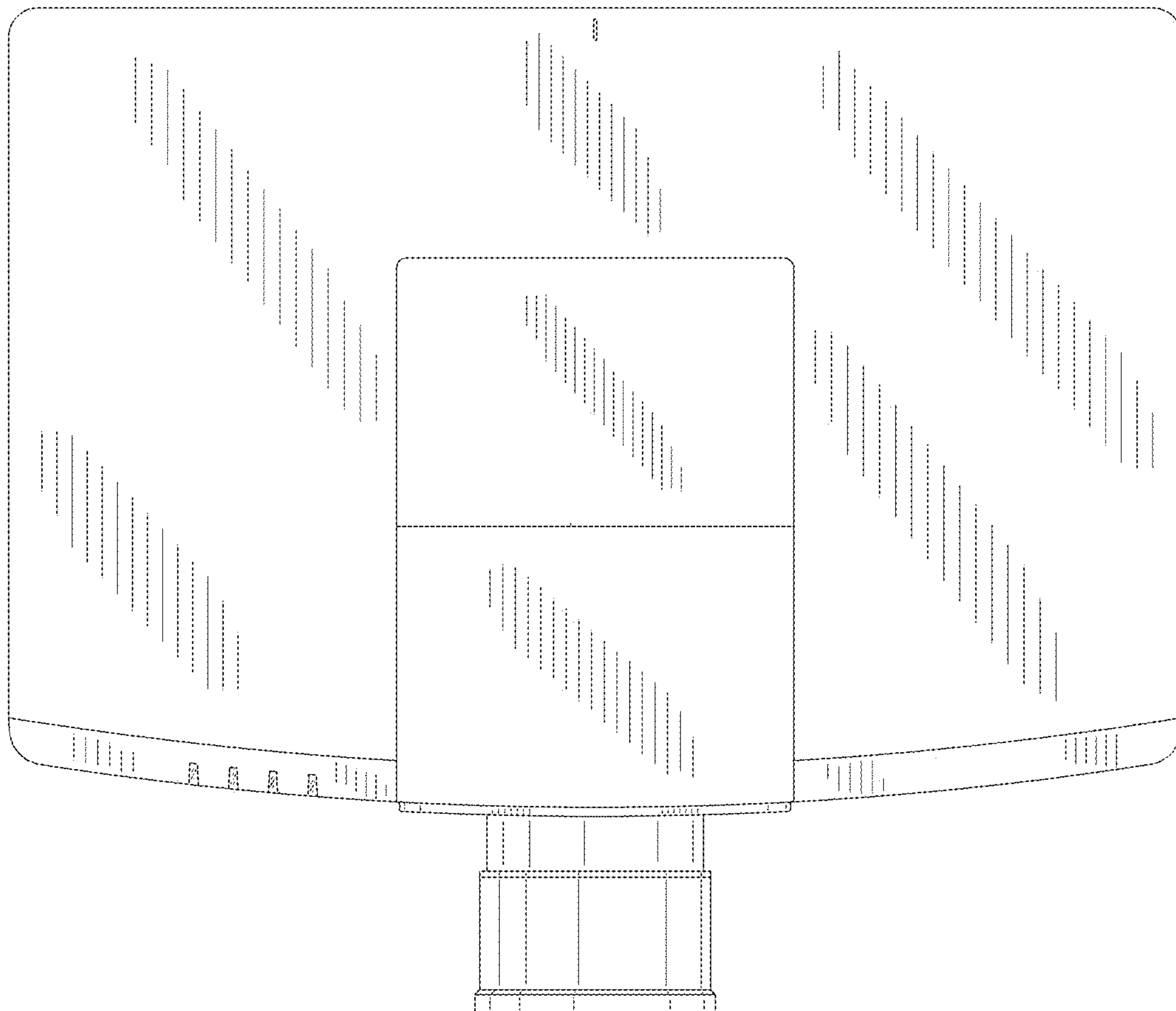




FIG. 8

