



US00D901575S

(12) **United States Design Patent**
Ueoka et al.

(10) **Patent No.:** **US D901,575 S**

(45) **Date of Patent:** **** Nov. 10, 2020**

(54) **PROJECTOR**

(71) Applicant: **Maxell, Ltd.**, Kyoto (JP)

(72) Inventors: **Kazumasa Ueoka**, Kyoto (JP); **Naoto Kubota**, Kyoto (JP)

(73) Assignee: **MAXELL, LTD.**, Kyoto (JP)

(**) Term: **15 Years**

(21) Appl. No.: **29/678,821**

(22) Filed: **Jan. 31, 2019**

(30) **Foreign Application Priority Data**

Oct. 31, 2018 (JP) 2018-023933

(51) **LOC (12) Cl.** **16-02**

(52) **U.S. Cl.**
USPC **D16/230**

(58) **Field of Classification Search**
USPC D16/221, 225, 230–231, 234–235;
D21/514; 353/115, 119
CPC G03B 21/145; G03B 21/14; G03B 21/16;
G03B 21/00; G03B 21/001; G03B
21/003; G03B 21/12
See application file for complete search history.

(56) **References Cited**

U.S. PATENT DOCUMENTS

D667,480 S * 9/2012 Yamada D16/225
8,398,250 B2 * 3/2013 Adachi G03B 21/145
312/10.1

D680,150 S * 4/2013 Kawaguchi D16/225
D722,636 S * 2/2015 Ishibashi D16/225
D822,752 S * 7/2018 Yuyama D16/230

* cited by examiner

Primary Examiner — Wan Laymon

(74) *Attorney, Agent, or Firm* — Mattingly & Malur, PC

(57) **CLAIM**

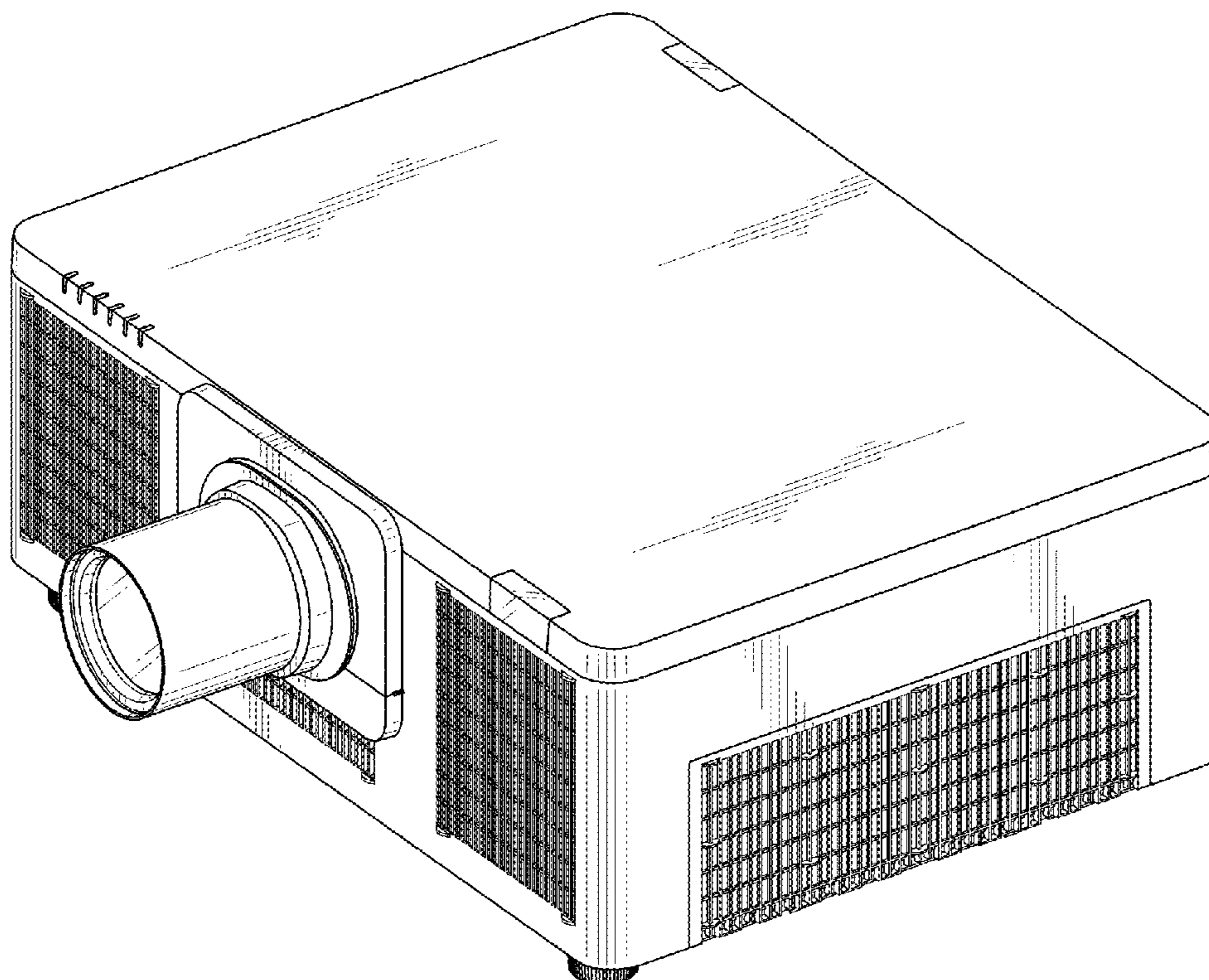
We claim the ornamental design for a projector, as shown and described.

DESCRIPTION

FIG. 1 is a front, top and right side perspective view of a projector showing our new design;
FIG. 2 is a front elevational view thereof;
FIG. 3 is a top plan view thereof;
FIG. 4 is a right side elevational view thereof;
FIG. 5 is a left side elevational view thereof;
FIG. 6 is a rear elevational view thereof;
FIG. 7 is a bottom plan view thereof;
FIG. 8 is a cross-sectional view there of take in the direction of line 8-8 in FIG. 2 thereof; and,
FIG. 9 is a cross-sectional view there of take in the direction of line 9-9 in FIG. 2.

The broken lines shown in the figures are included for the purpose of illustrating portions of the projector and form no part of the claimed design.

1 Claim, 5 Drawing Sheets



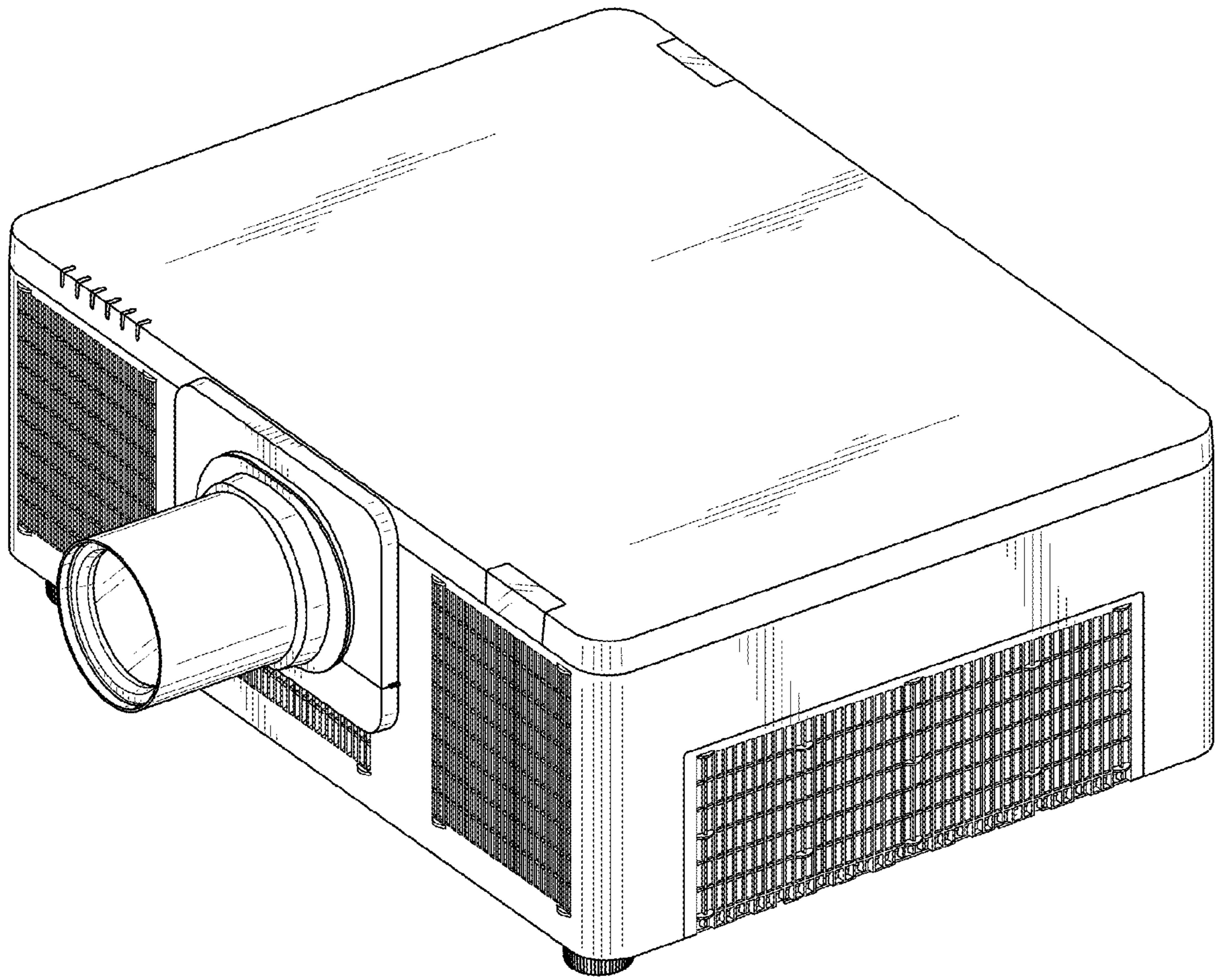


FIG. 1

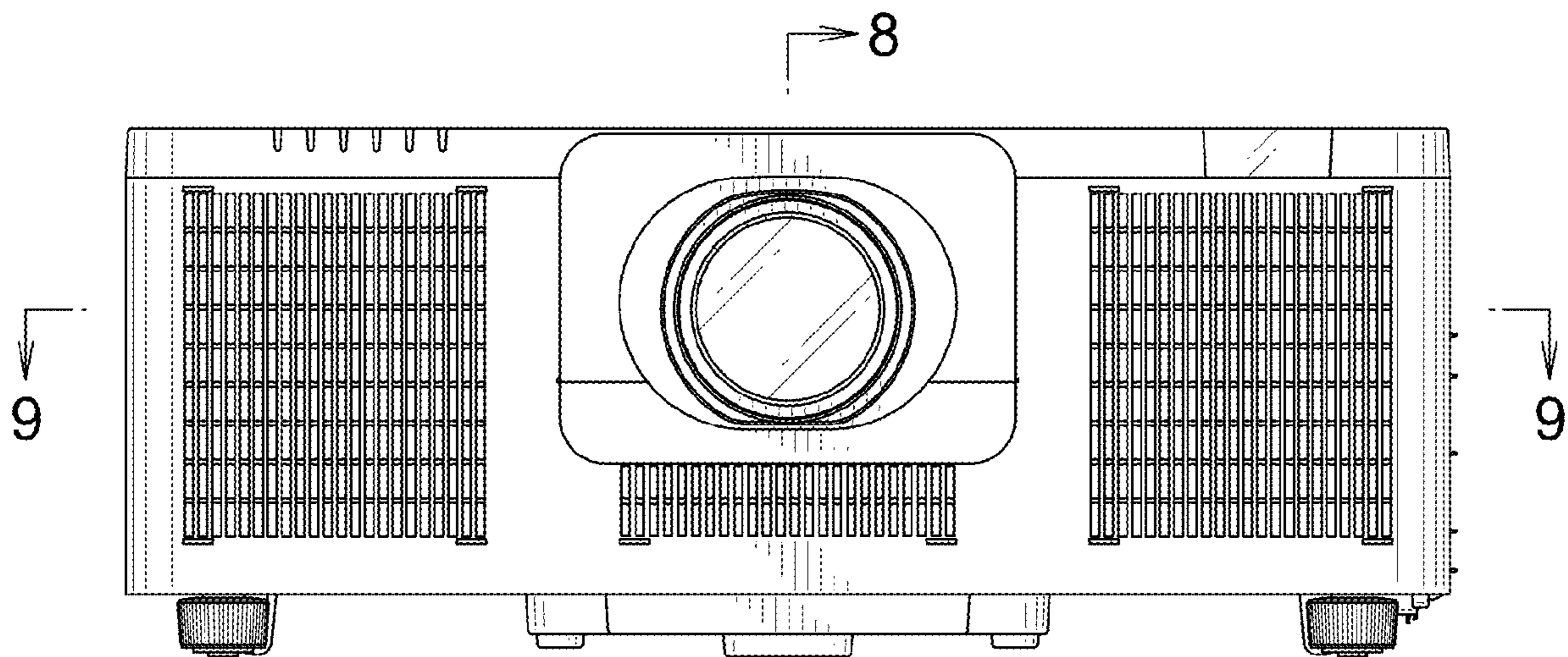


FIG. 2

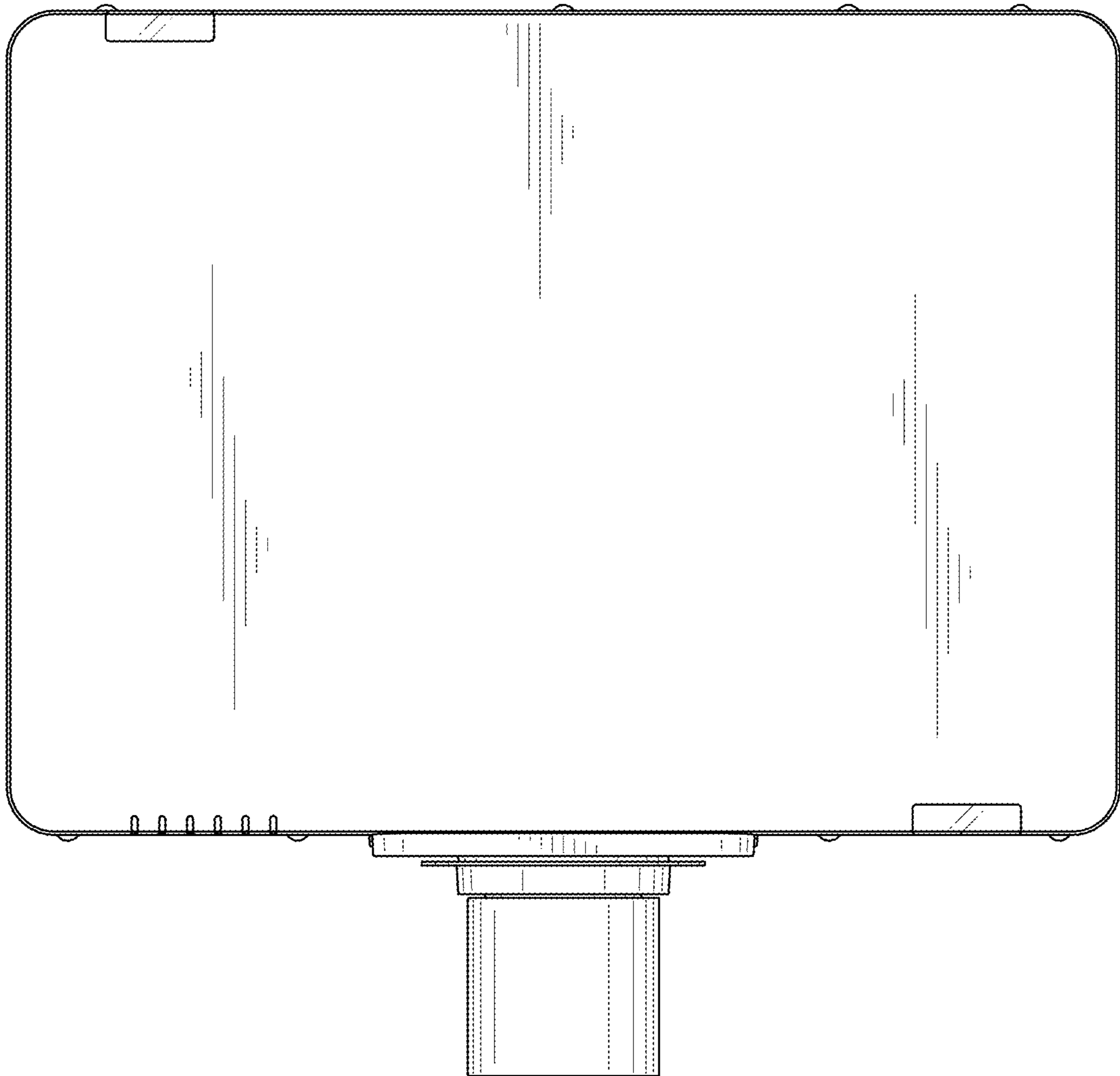


FIG. 3

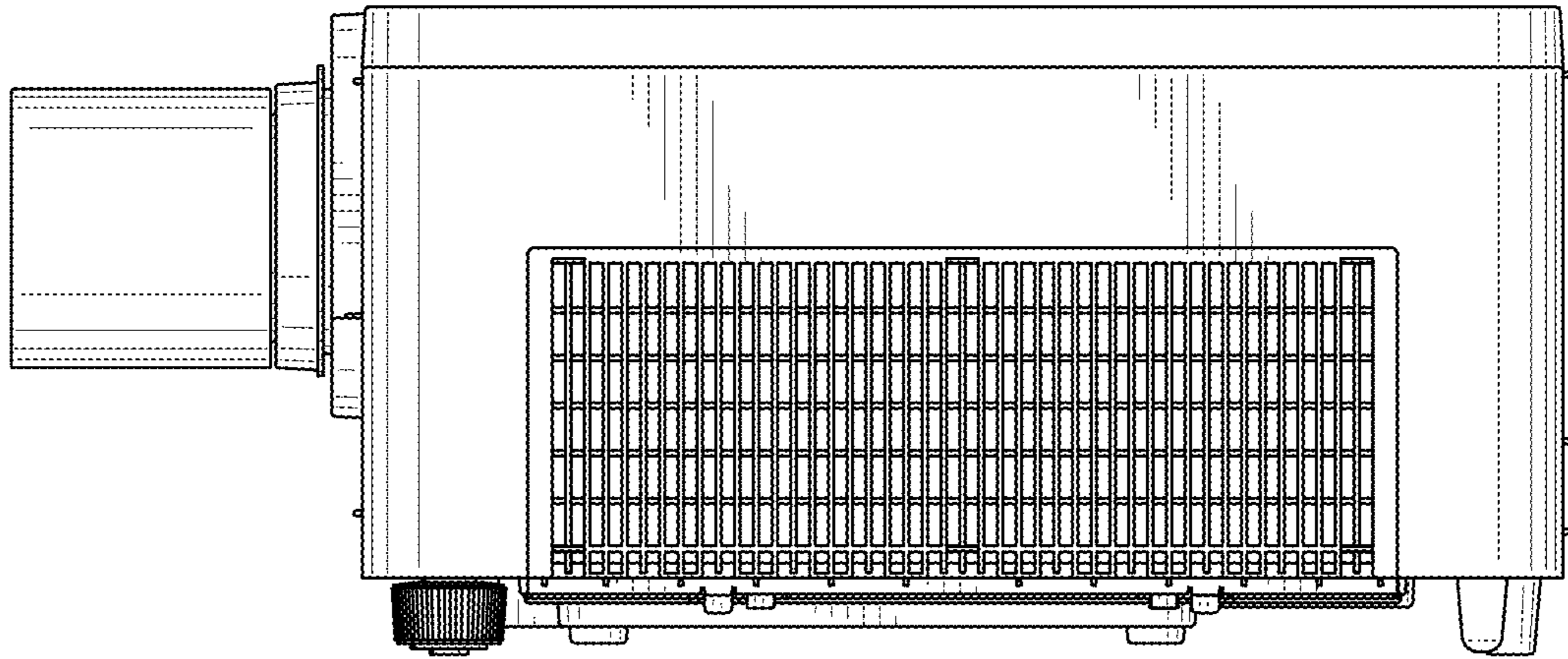


FIG. 4

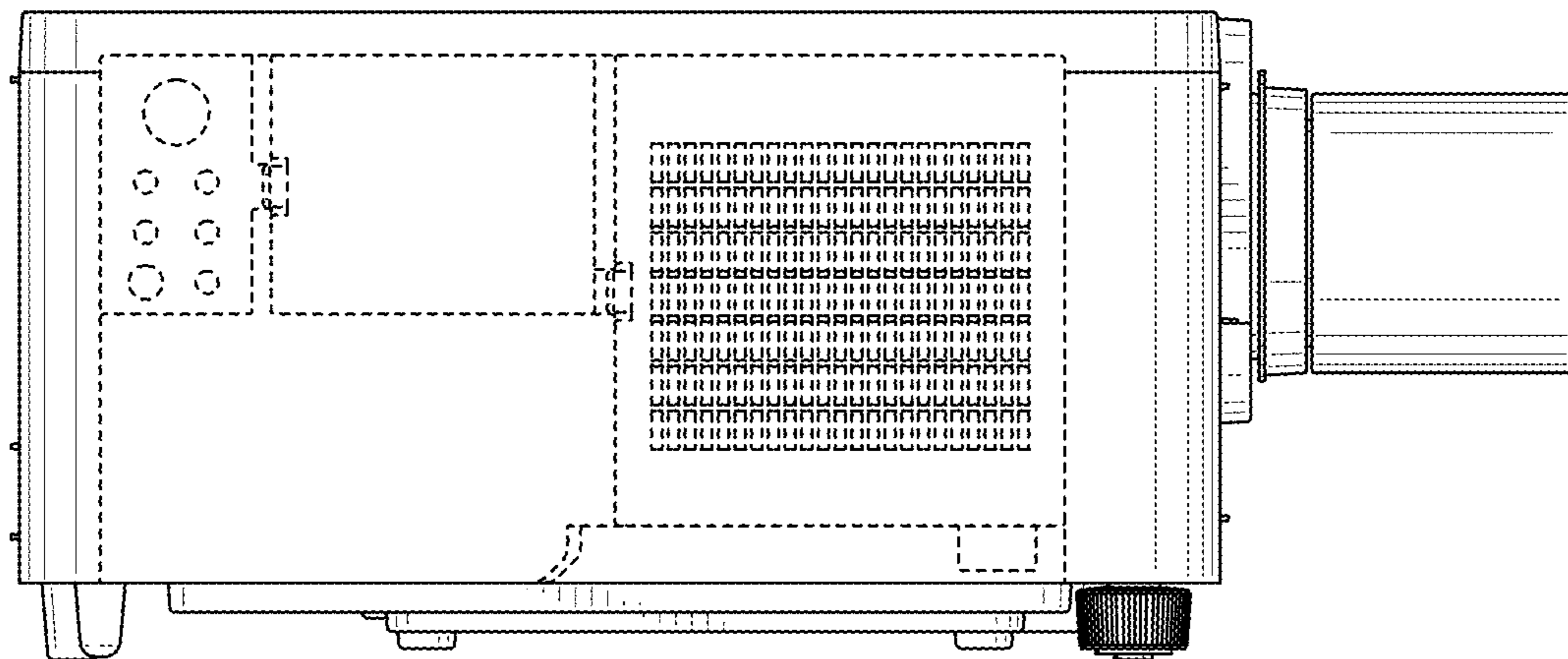


FIG. 5

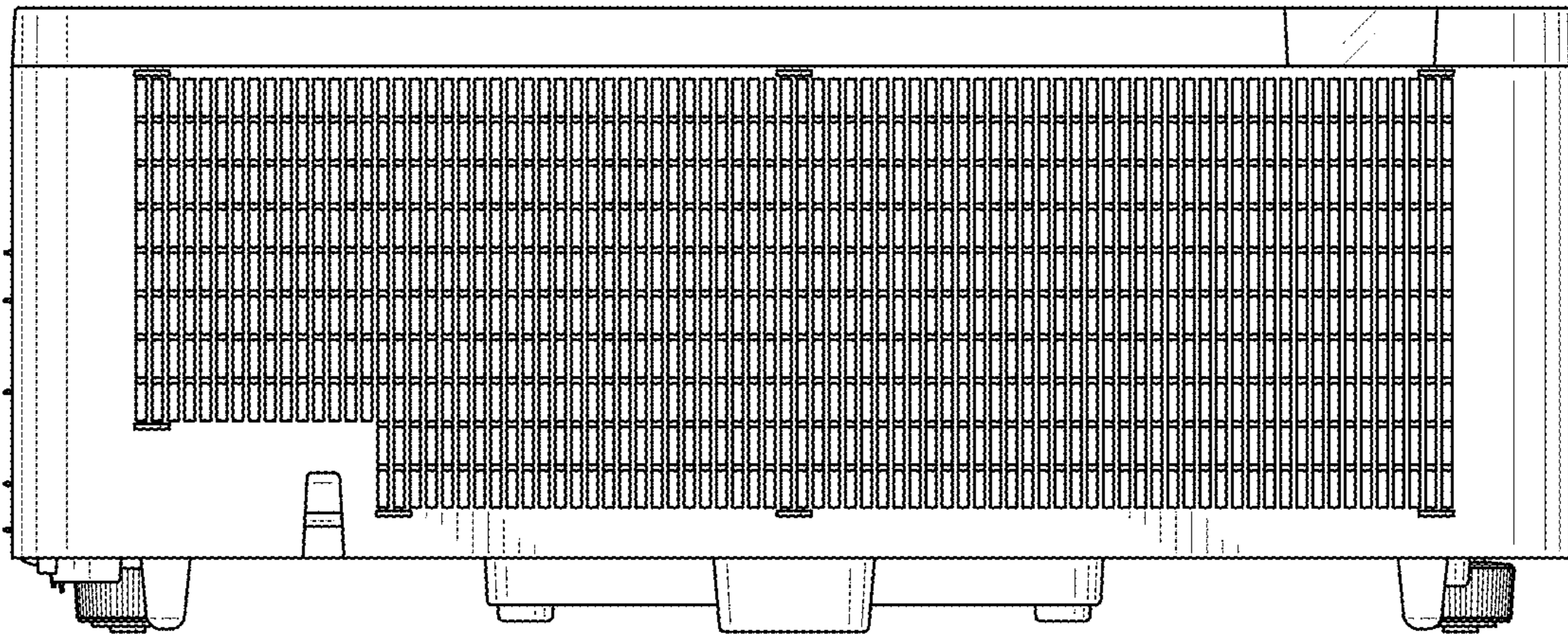


FIG. 6

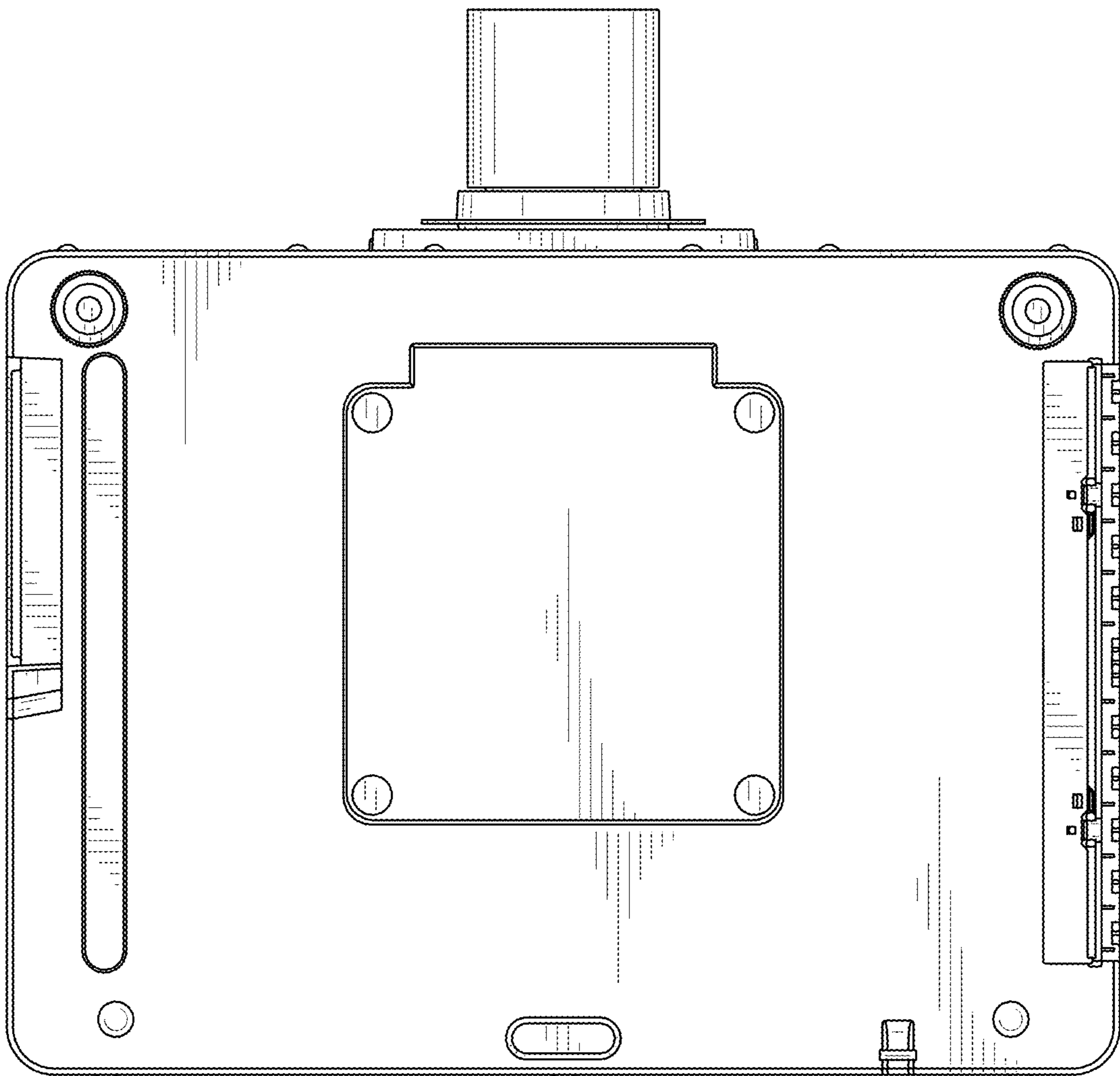


FIG. 7

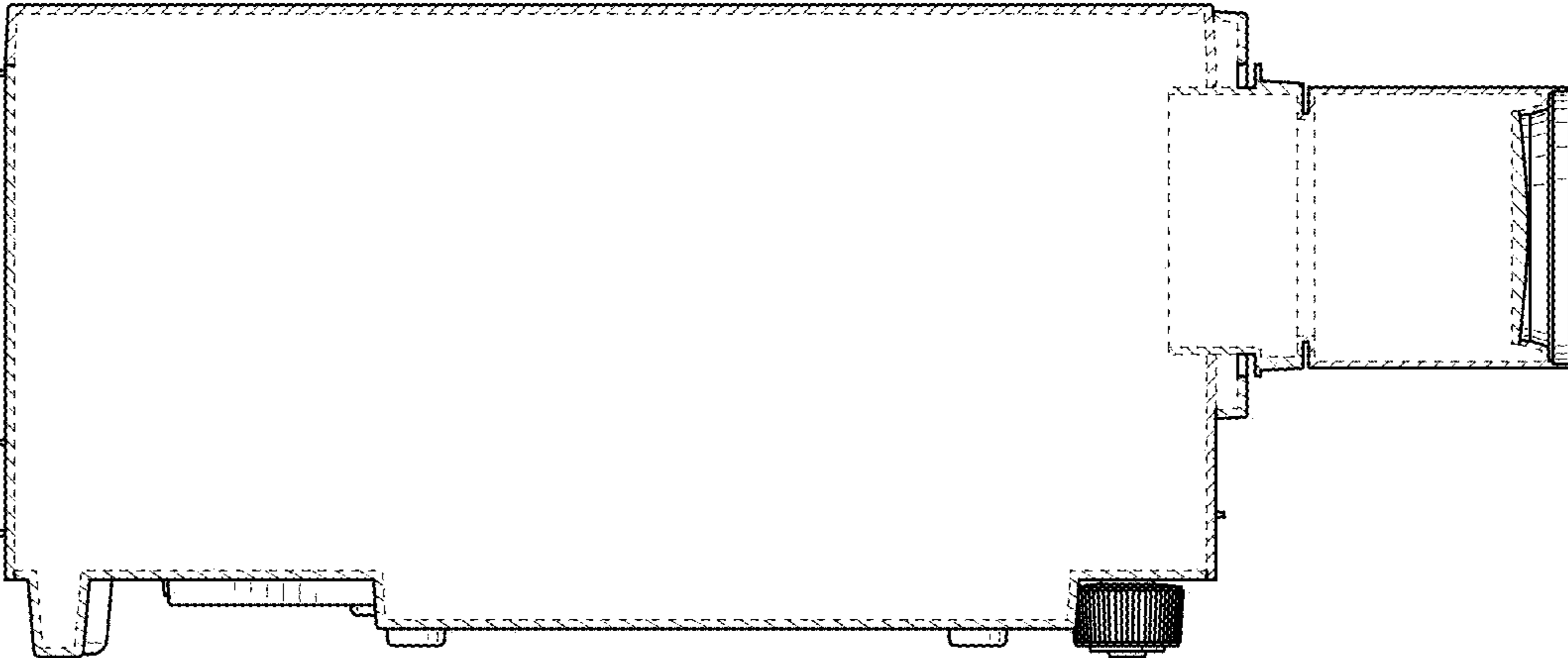


FIG. 8

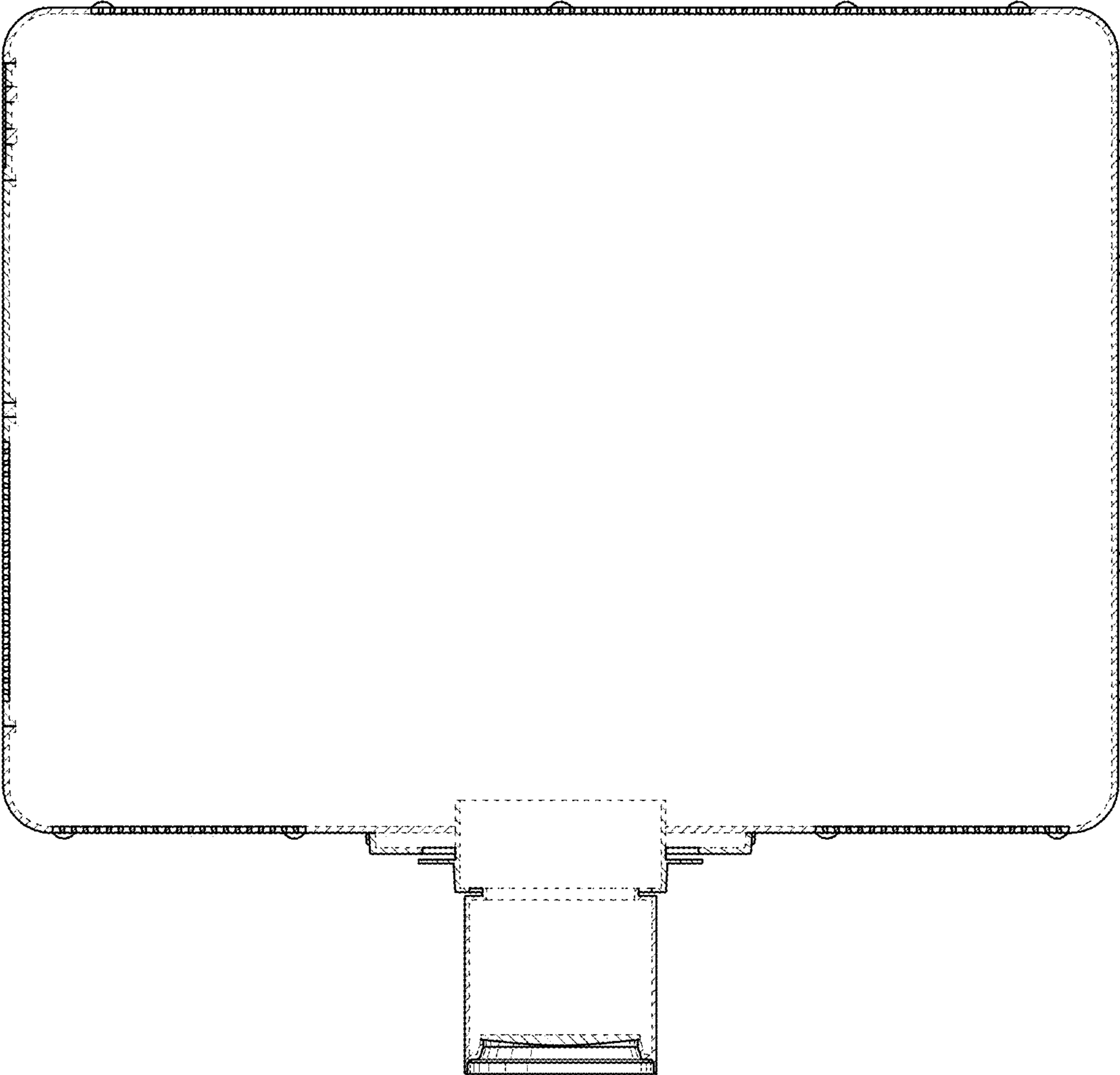


FIG. 9