



US00D901574S

(12) **United States Design Patent**  
**Ueoka et al.**

(10) **Patent No.:** **US D901,574 S**

(45) **Date of Patent:** **\*\* Nov. 10, 2020**

(54) **PROJECTOR**

(71) Applicant: **Maxell, Ltd.**, Kyoto (JP)

(72) Inventors: **Kazumasa Ueoka**, Kyoto (JP); **Naoto Kubota**, Kyoto (JP)

(73) Assignee: **MAXELL, LTD.**, Kyoto (JP)

(\*\*) Term: **15 Years**

(21) Appl. No.: **29/678,818**

(22) Filed: **Jan. 31, 2019**

(30) **Foreign Application Priority Data**

Oct. 31, 2018 (JP) ..... 2018-023930

(51) **LOC (12) Cl.** ..... **16-02**

(52) **U.S. Cl.**  
USPC ..... **D16/230**

(58) **Field of Classification Search**  
USPC ..... D16/221, 225, 230–231, 234–235;  
D21/514; 353/115, 119  
CPC ..... G03B 21/145; G03B 21/14; G03B 21/16;  
G03B 21/00; G03B 21/001; G03B  
21/003; G03B 21/12  
See application file for complete search history.

(56) **References Cited**

**U.S. PATENT DOCUMENTS**

D667,480 S \* 9/2012 Yamada ..... D16/225  
8,398,250 B2 \* 3/2013 Adachi ..... G03B 21/145  
312/10.1

D680,150 S \* 4/2013 Kawaguchi ..... D16/225  
D722,636 S \* 2/2015 Ishibashi ..... D16/225  
D822,752 S \* 7/2018 Yuyama ..... D16/230

\* cited by examiner

*Primary Examiner* — Wan Laymon

(74) *Attorney, Agent, or Firm* — Mattingly & Malur, PC

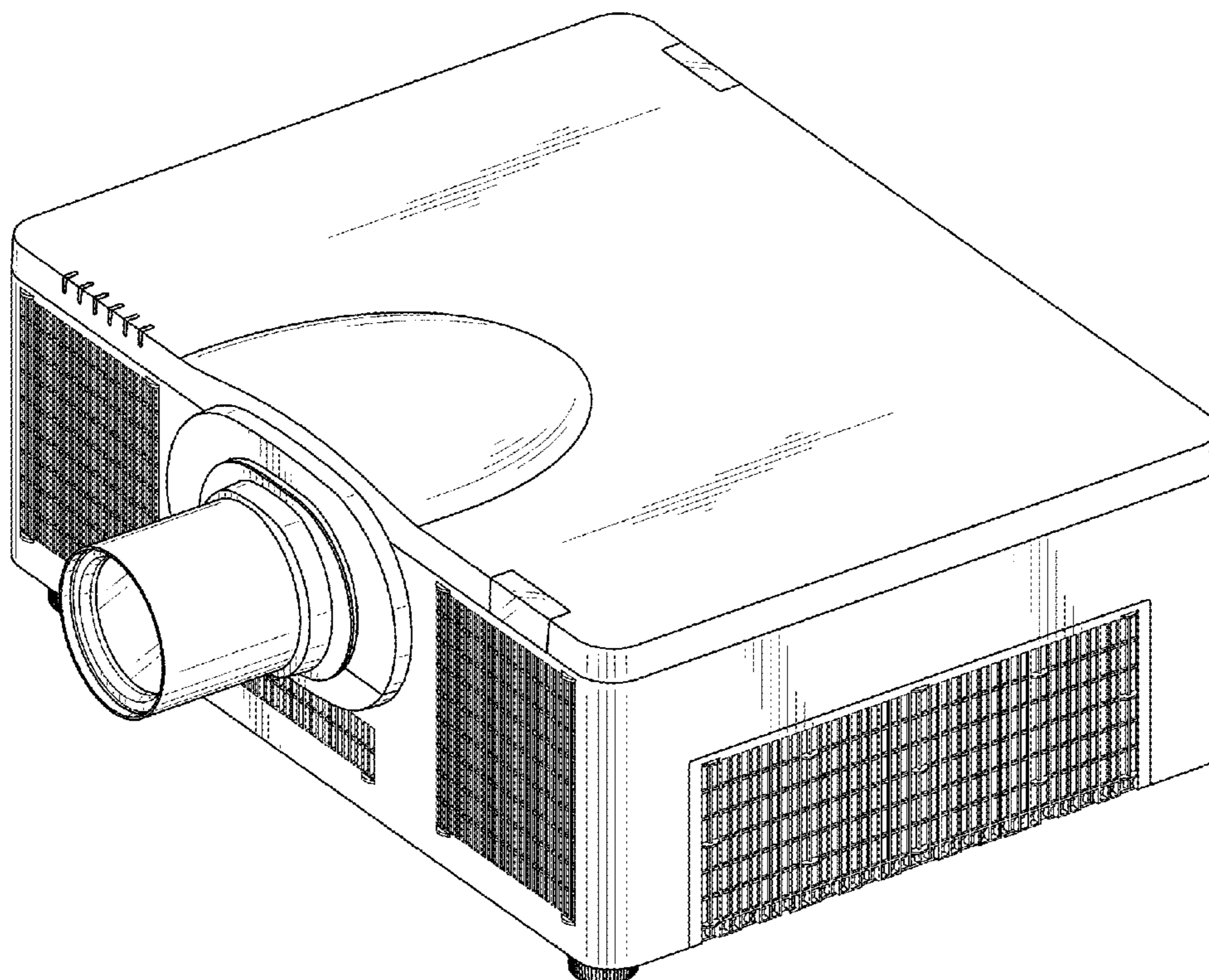
(57) **CLAIM**

We claim the ornamental design for a projector, as shown and described.

**DESCRIPTION**

FIG. 1 is a front, top and right side perspective view of a projector showing our new design;  
FIG. 2 is a front elevational view thereof;  
FIG. 3 is a top plan view thereof;  
FIG. 4 is a right side elevational view thereof;  
FIG. 5 is a left side elevational view thereof;  
FIG. 6 is a rear elevational view thereof;  
FIG. 7 is a bottom plan view thereof;  
FIG. 8 is a cross-sectional view there of take in the direction of line 8-8 in FIG. 2 thereof; and,  
FIG. 9 is a cross-sectional view there of take in the direction of line 9-9 in FIG. 2.  
The broken lines shown in the figures are included for the purpose of illustrating portions of the projector and form no part of the claimed design.

**1 Claim, 5 Drawing Sheets**



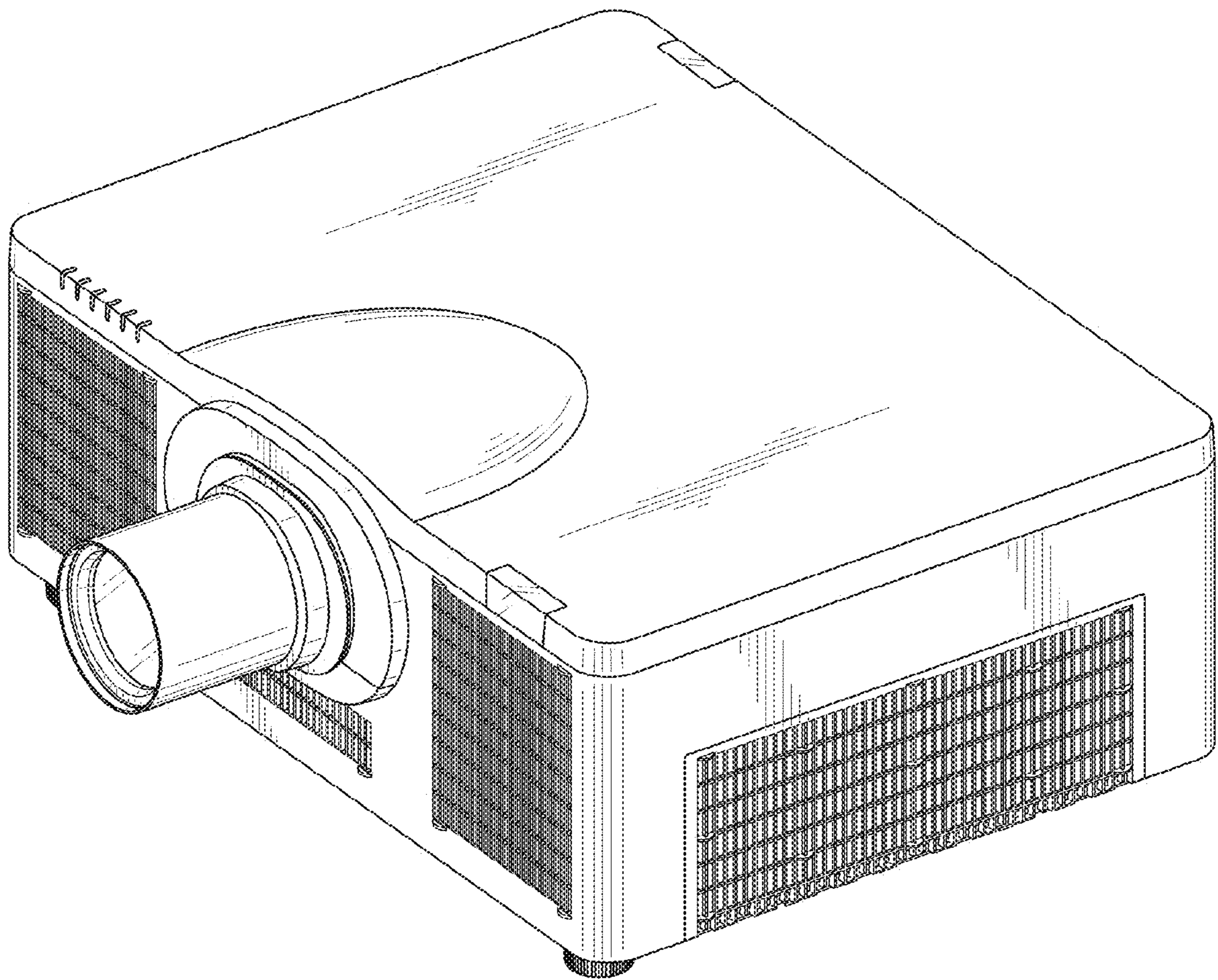


FIG. 1

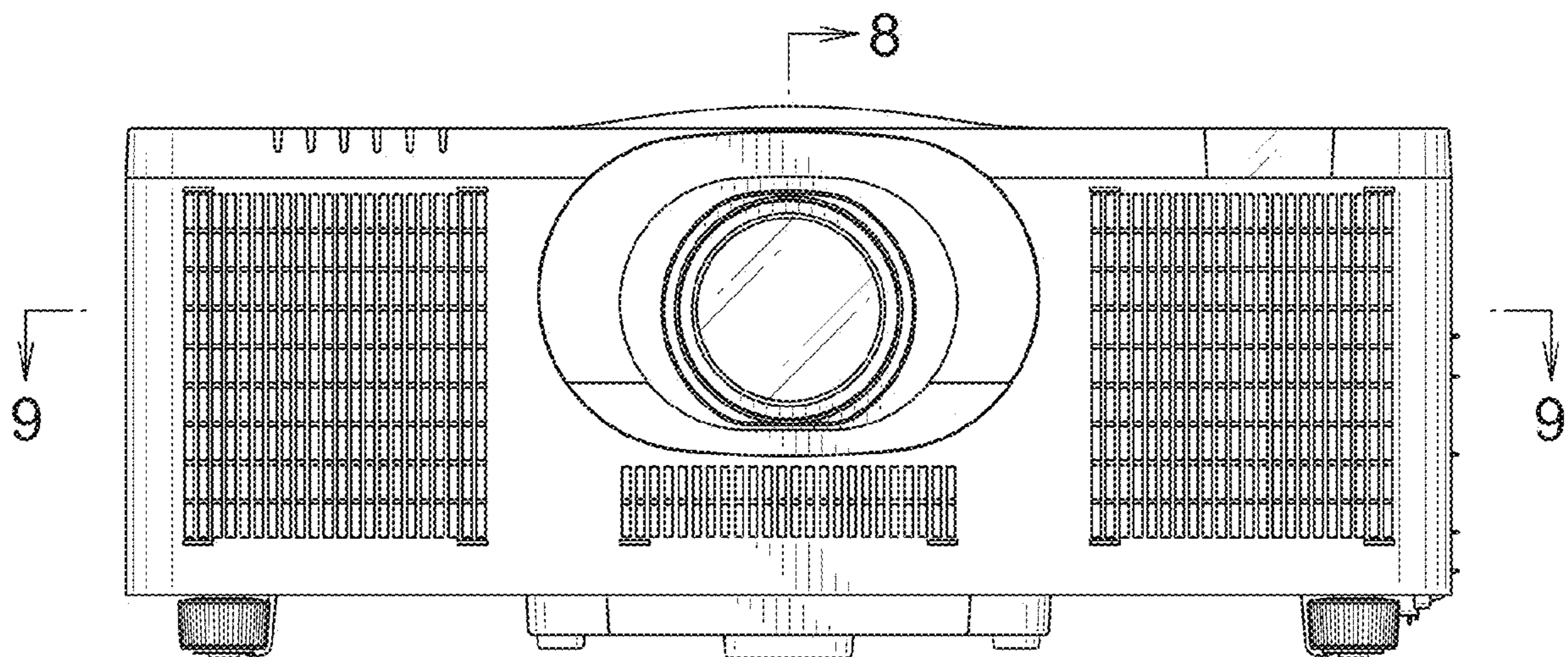


FIG. 2

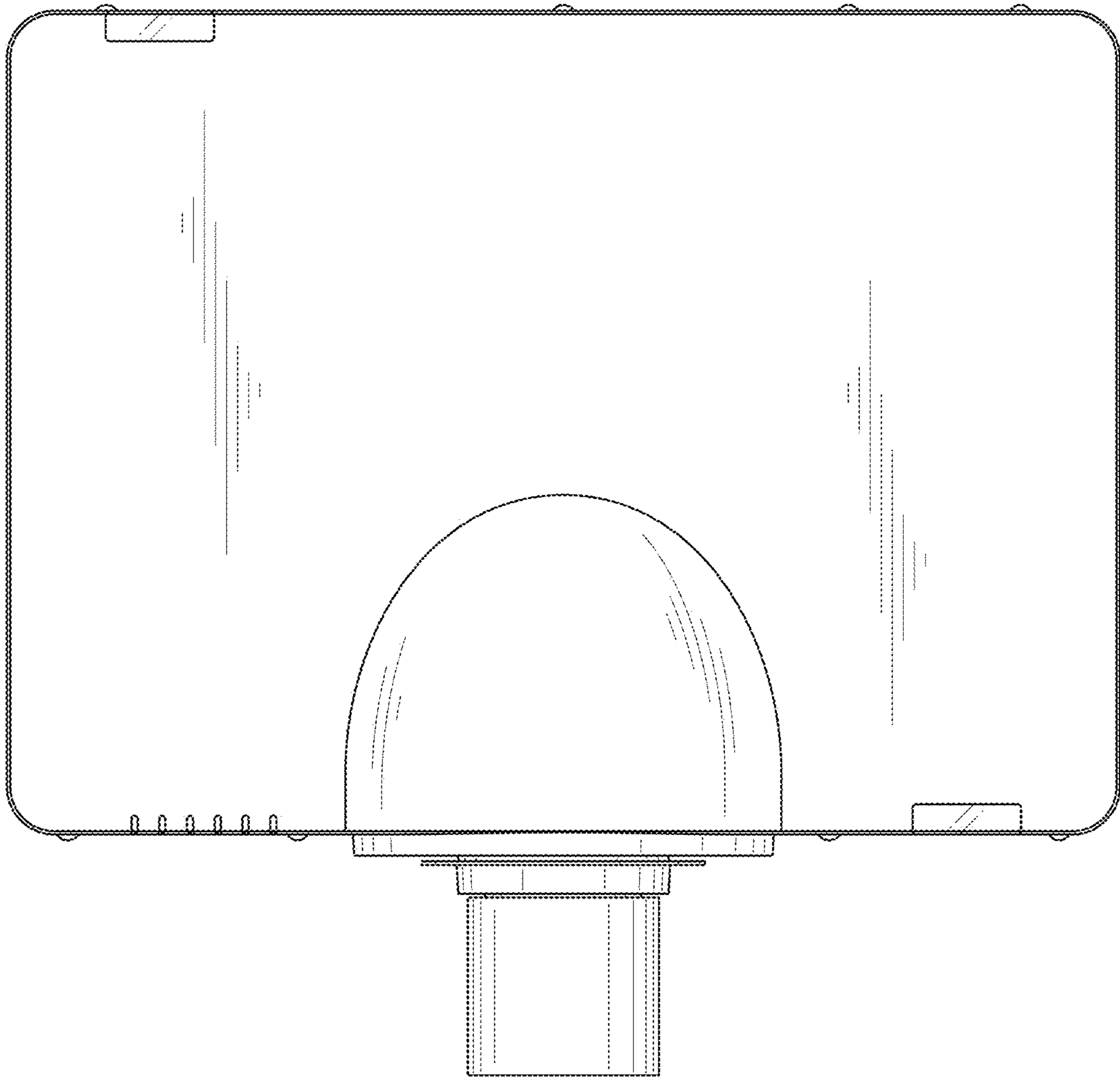


FIG. 3

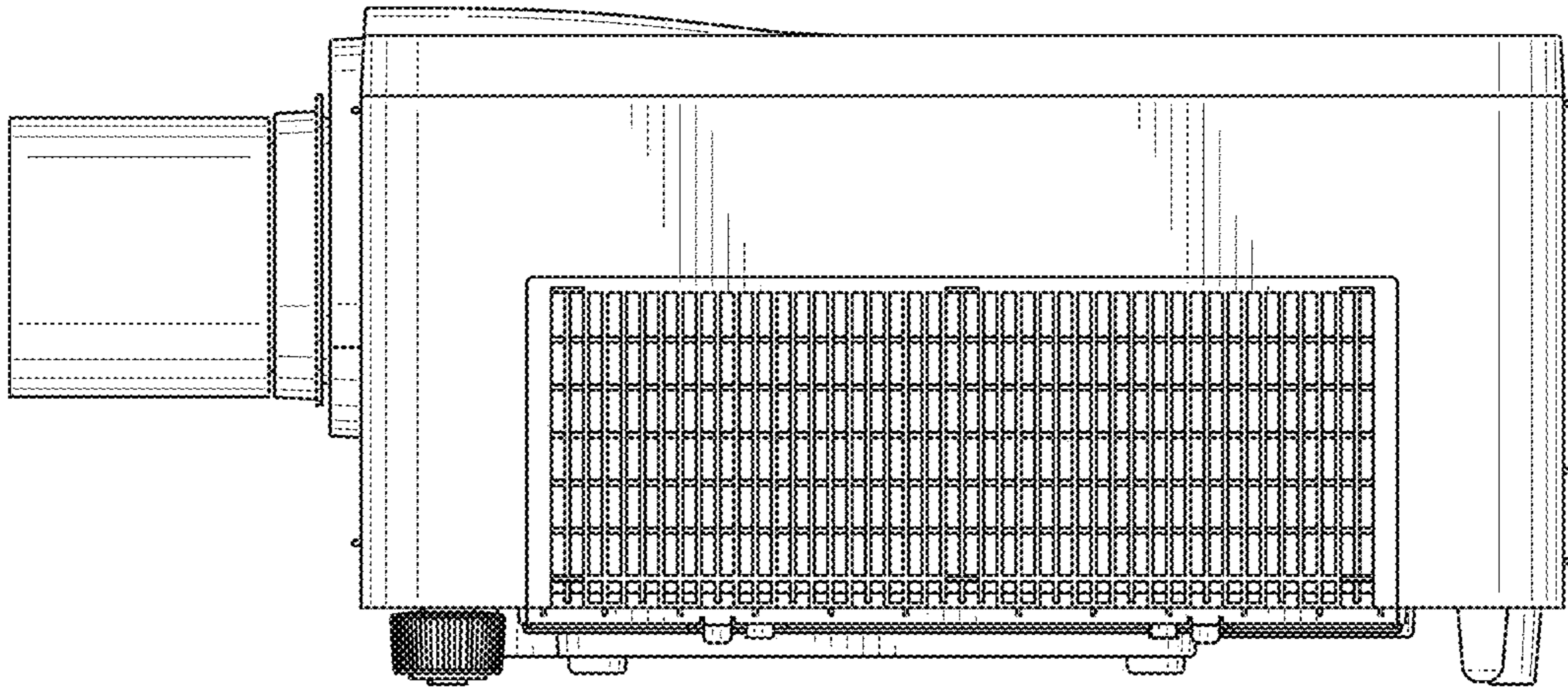


FIG. 4

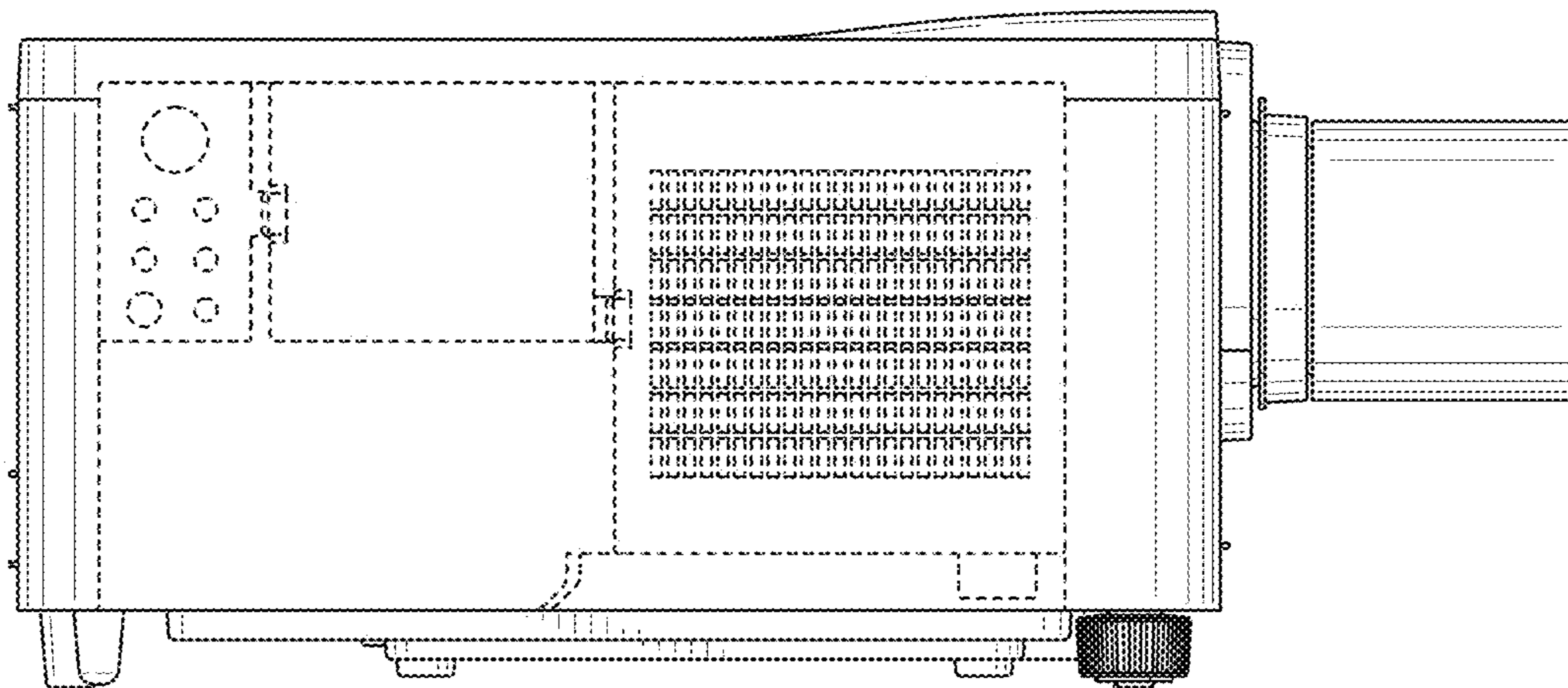


FIG. 5

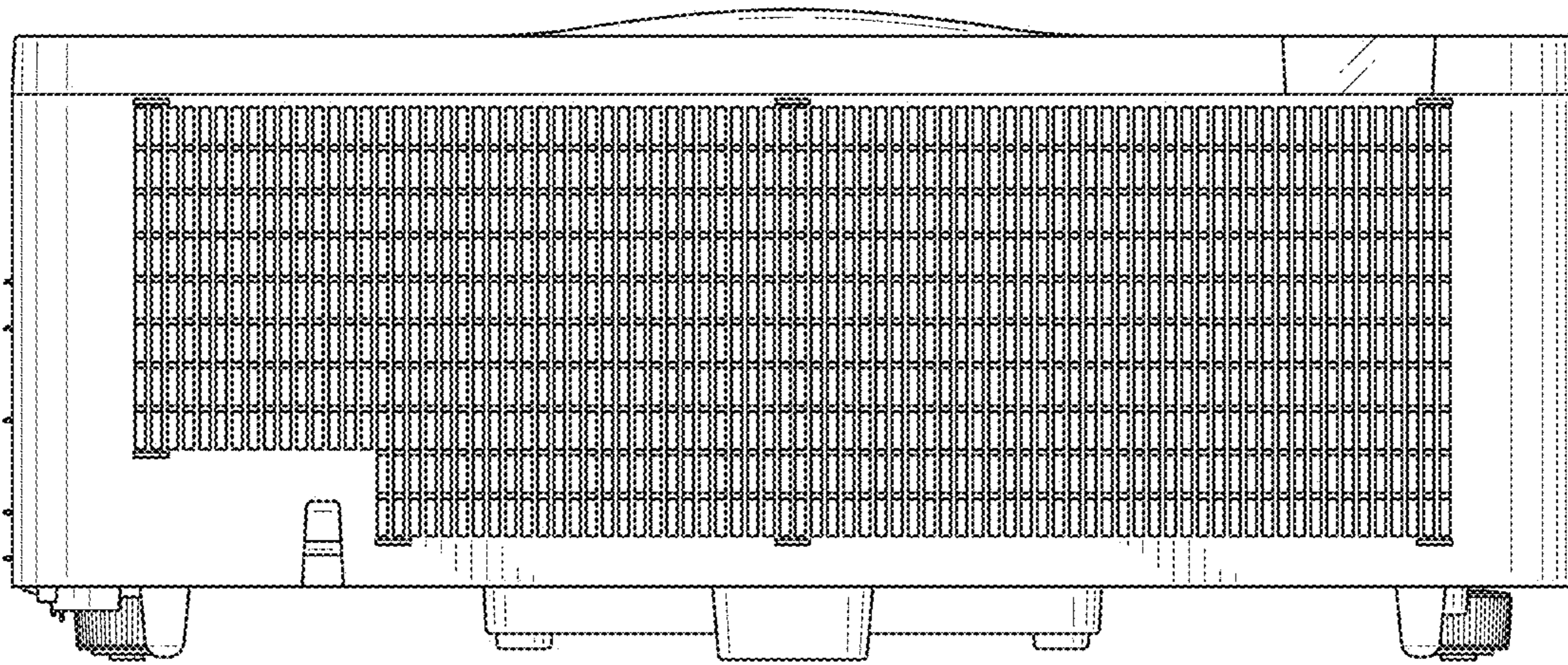


FIG. 6

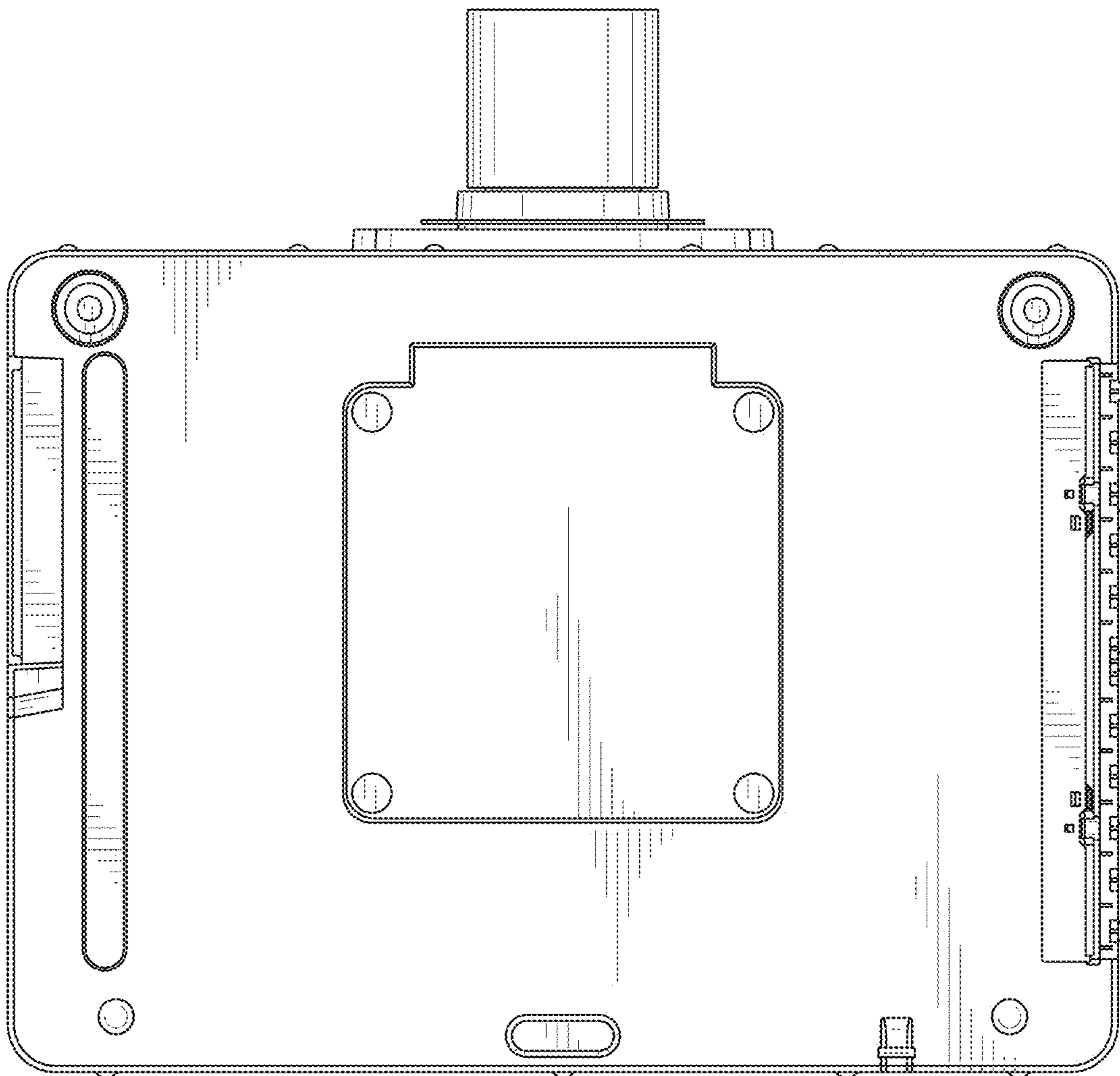


FIG. 7

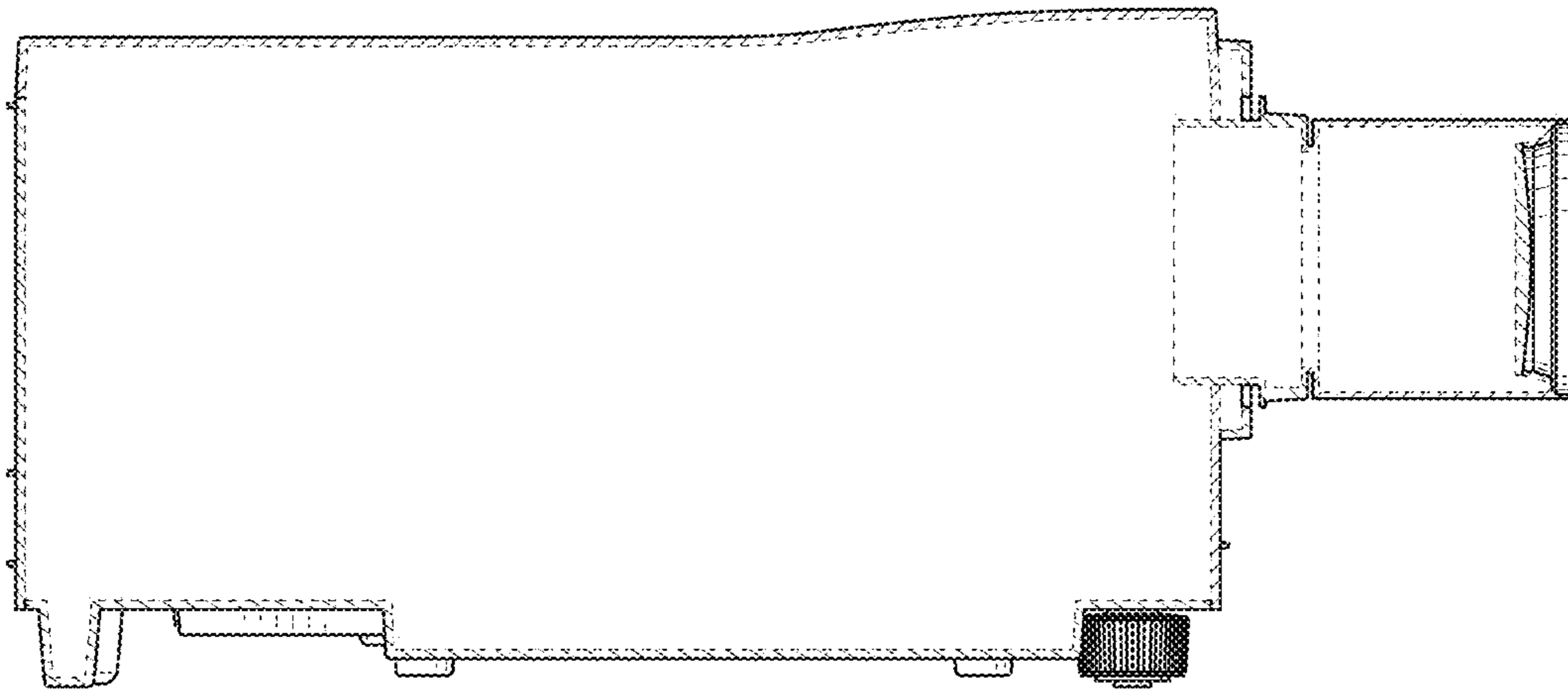


FIG. 8

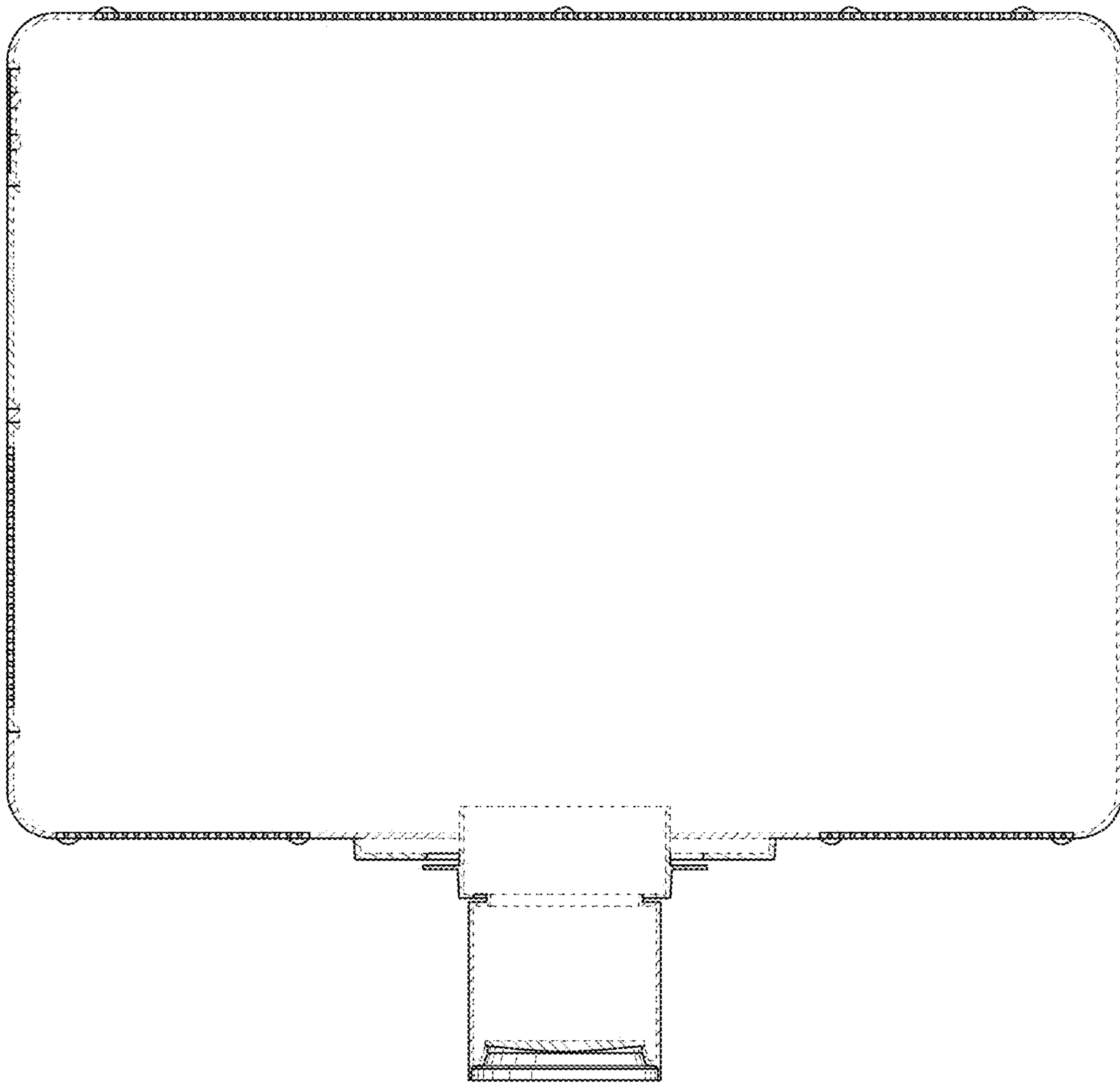


FIG. 9