



US00D901571S

(12) **United States Design Patent**
Liu

(10) **Patent No.:** **US D901,571 S**

(45) **Date of Patent:** **** Nov. 10, 2020**

(54) **NETWORK CAMERA**

(71) Applicant: **Shenzhen Foscam Intelligent Technology Co., Ltd.**, Guangdong (CN)

(72) Inventor: **Haijun Liu**, Guangdong (CN)

(**) Term: **15 Years**

(21) Appl. No.: **29/700,409**

(22) Filed: **Aug. 2, 2019**

(30) **Foreign Application Priority Data**

May 27, 2019 (CN) 2019 3 0264345

(51) **LOC (12) Cl.** **16-01**

(52) **U.S. Cl.**
USPC **D16/203**

(58) **Field of Classification Search**
USPC D16/200, 202–205, 208, 211, 214, 218, D16/219, 221, 242; D14/447; 348/143, 348/148, 151, 373–376; 396/419, 427, 396/535, 539–541
CPC G03B 17/02; G03B 19/04; G03B 17/56; G03B 17/04; G03B 15/03; H04N 5/2251; H04N 5/2252; H04N 5/2253; H04N 5/2254; H04N 7/181; H04N 7/183; H04N 7/18; G08B 13/1963; G08B 13/19619; G08B 13/19632; F16M 11/04; F16M 13/00

See application file for complete search history.

(56) **References Cited**

U.S. PATENT DOCUMENTS

D424,087 S * 5/2000 Frick 396/427
D461,485 S * 8/2002 Jones 396/427
D486,173 S * 2/2004 Toste D16/242

7,306,383 B2 * 12/2007 Jones G08B 13/19619 348/373
D564,005 S * 3/2008 Cheng D16/203
D651,068 S * 12/2011 Kang D8/363
D701,258 S * 3/2014 Huang D16/203
D734,379 S * 7/2015 Tankersley D16/203
D818,026 S * 5/2018 Ravat D16/203
D824,446 S * 7/2018 Ravat D16/203
D824,447 S * 7/2018 Li D16/203
D825,638 S * 8/2018 Holbrook D16/203
D863,399 S * 10/2019 Li D16/203

* cited by examiner

Primary Examiner — Ramzi S Almatrahi

(74) *Attorney, Agent, or Firm* — Prakash Nama; Global IP Services, PLLC

(57) **CLAIM**

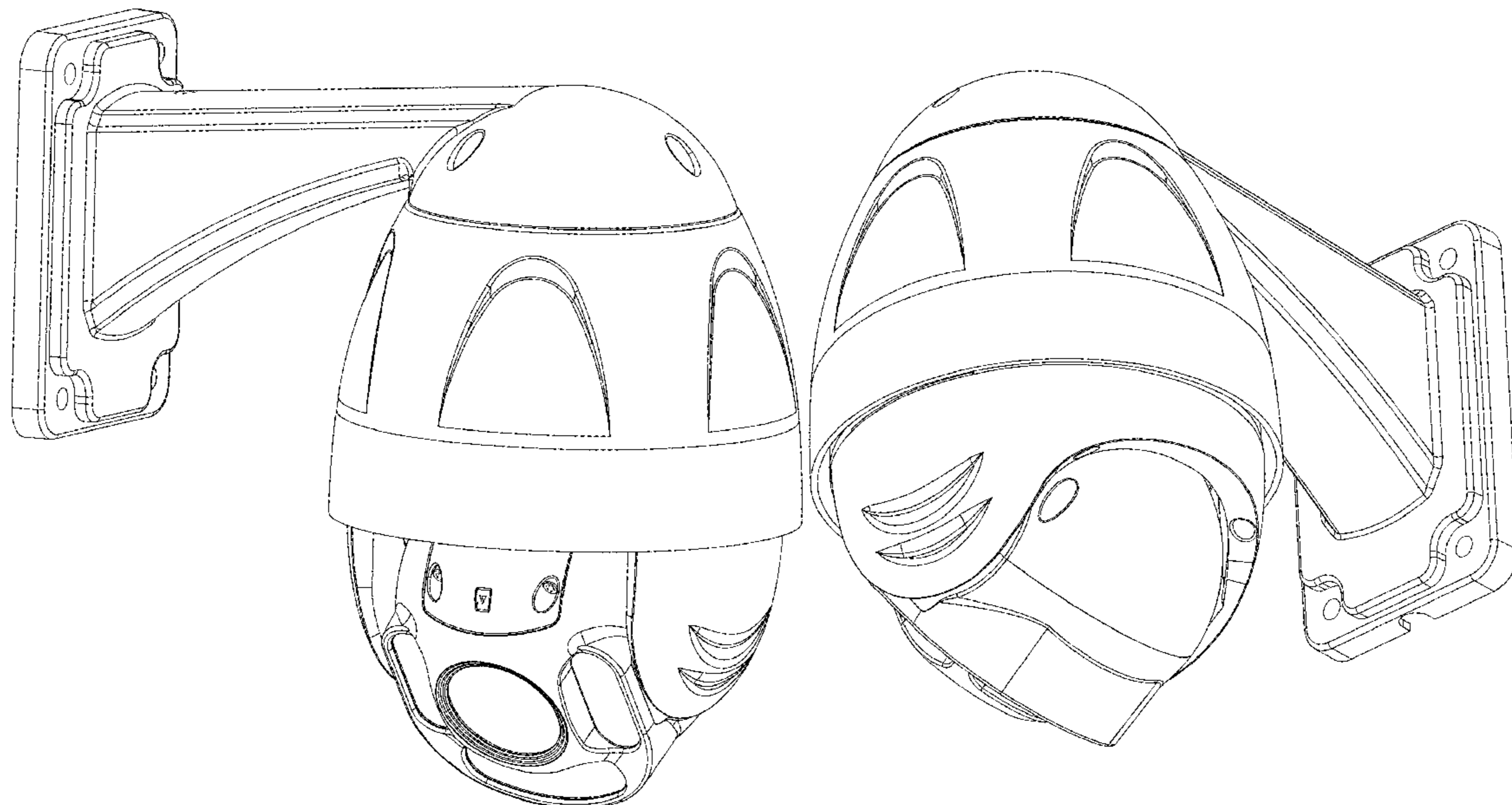
The ornamental design for a network camera, as shown and described.

DESCRIPTION

FIG. 1 is a front elevational view of a network camera showing my new design;
FIG. 2 is a rear elevational view thereof;
FIG. 3 is a left side elevational view thereof;
FIG. 4 is a right side elevational view thereof;
FIG. 5 is a top plan view thereof;
FIG. 6 is a bottom plan view thereof;
FIG. 7 is a top, front and right side perspective view thereof;
FIG. 8 is a rear and left side perspective view thereof;
FIG. 9 is a bottom, front and left side perspective view thereof; and,
FIG. 10 is a bottom, rear and right side perspective view thereof.

The broken lines depict portions of the network camera in which the design is embodied that form no part of the claimed design.

1 Claim, 10 Drawing Sheets



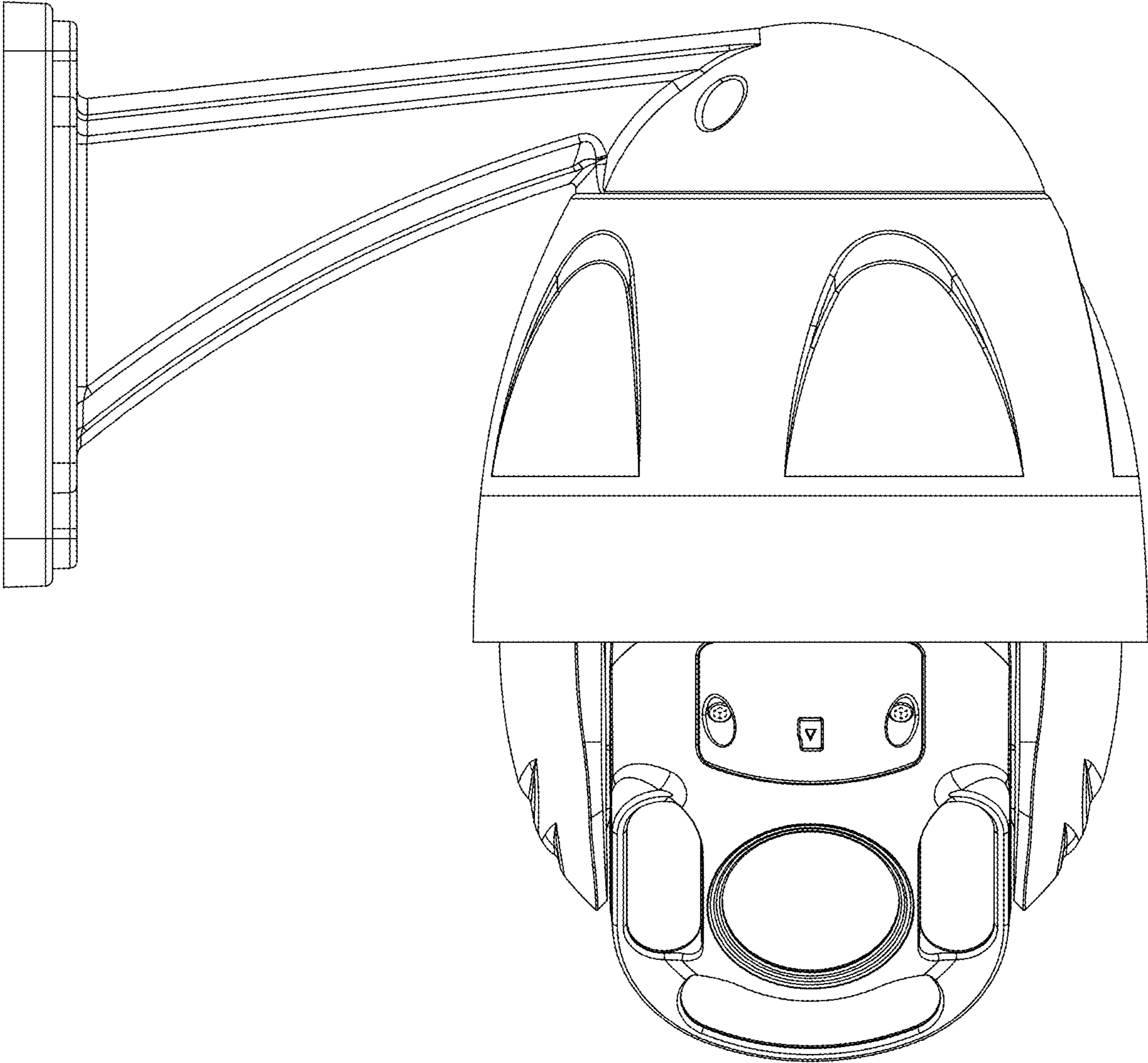


Fig. 1

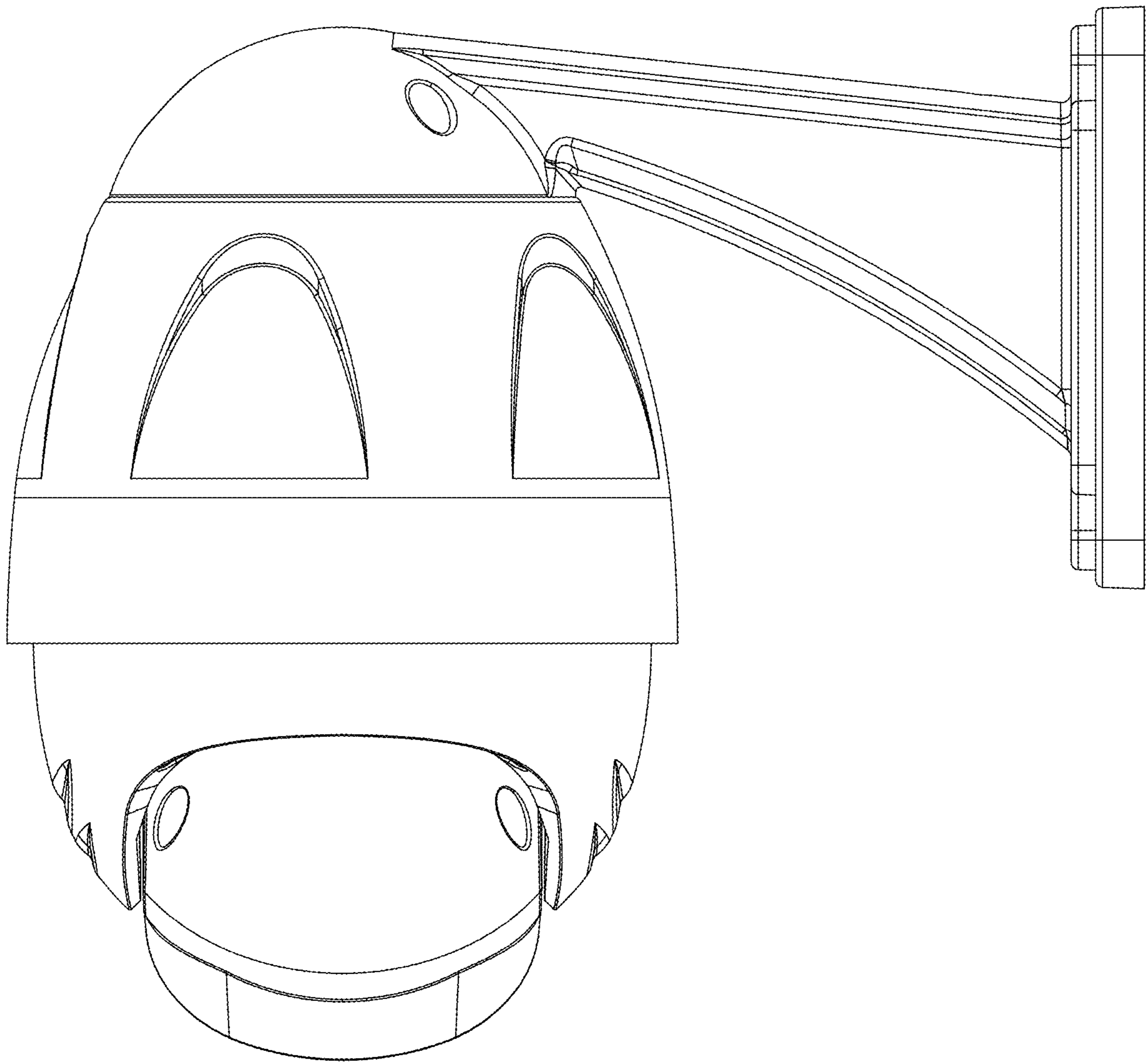


Fig. 2

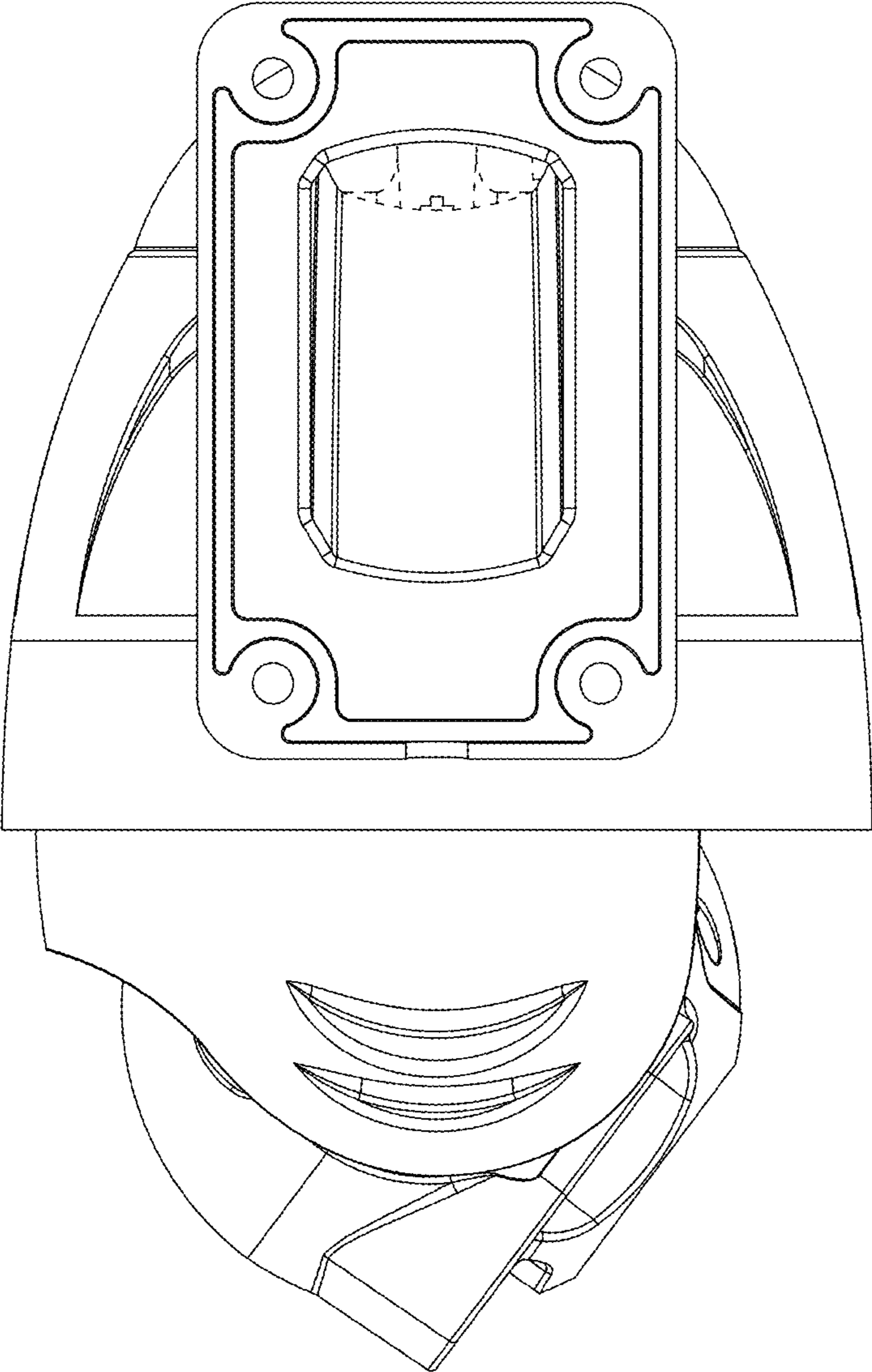


Fig.3

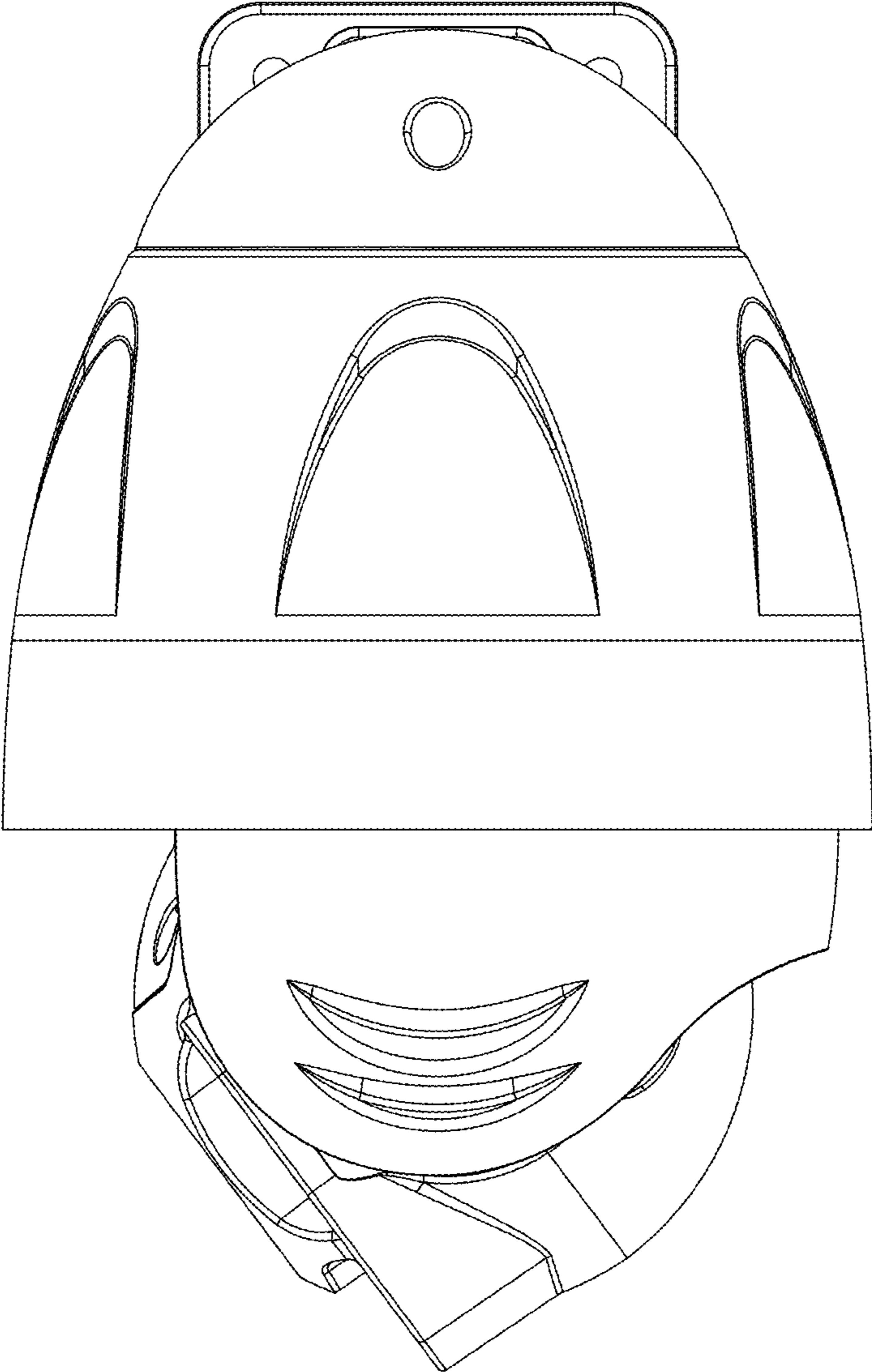


Fig.4

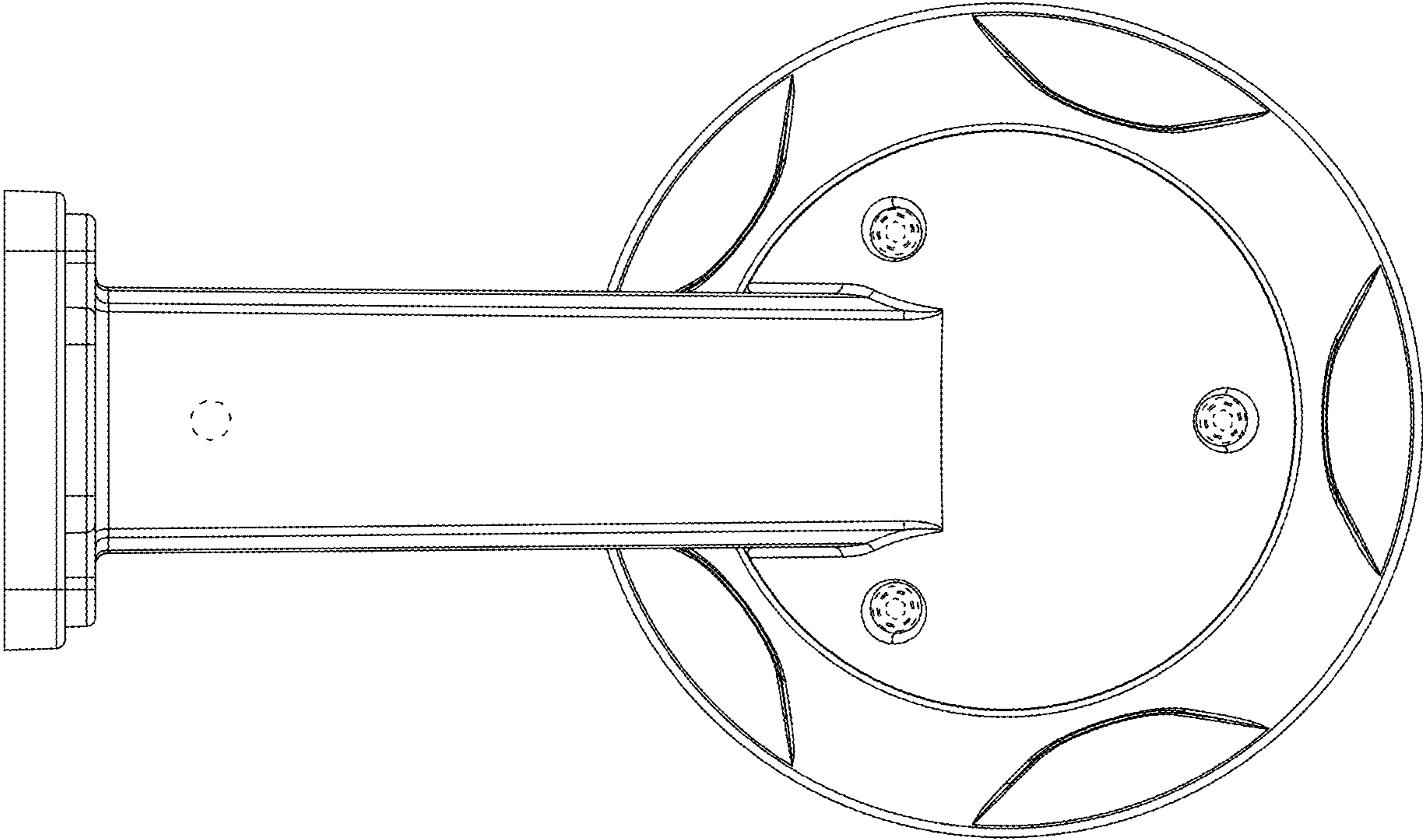


Fig.5

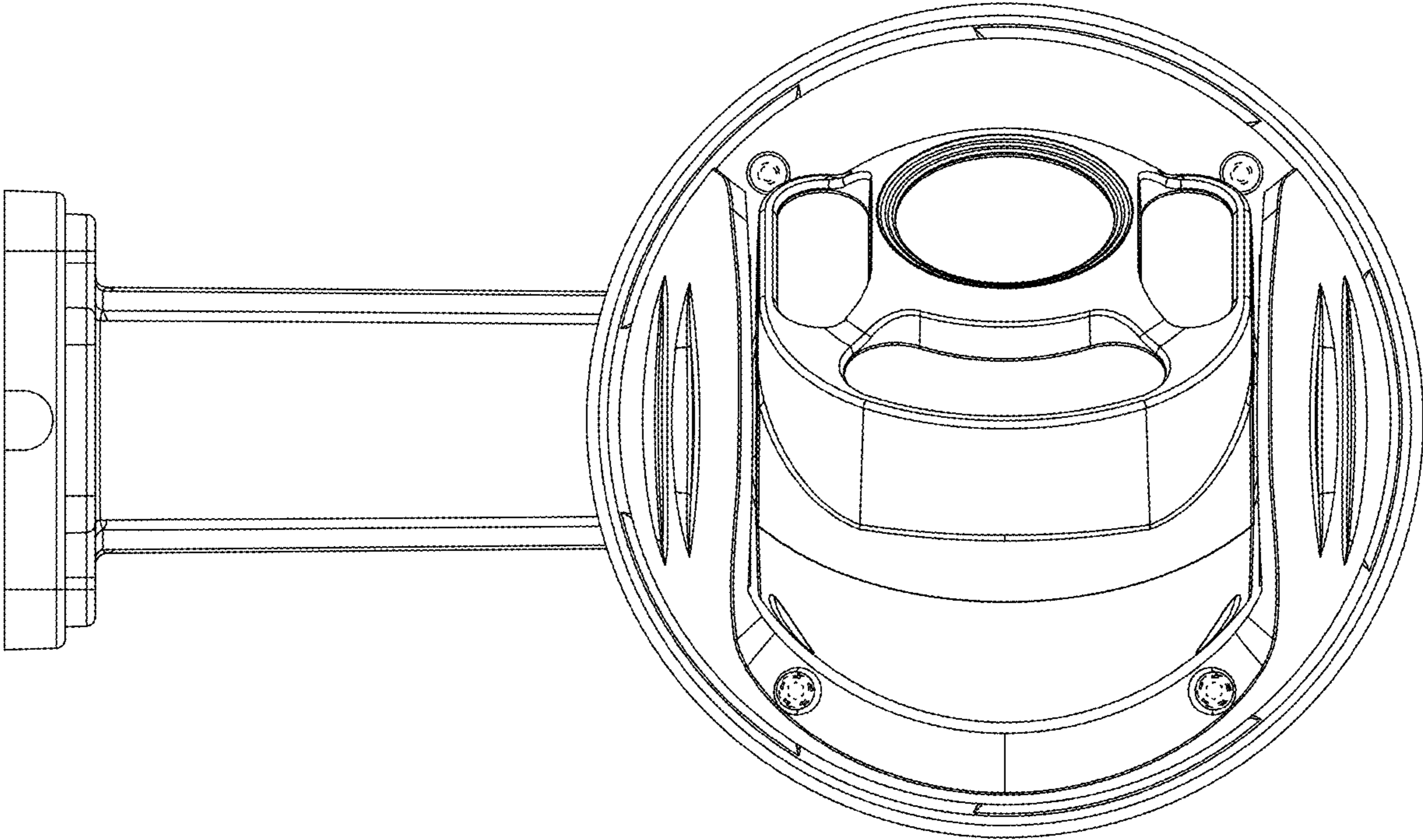


Fig. 6

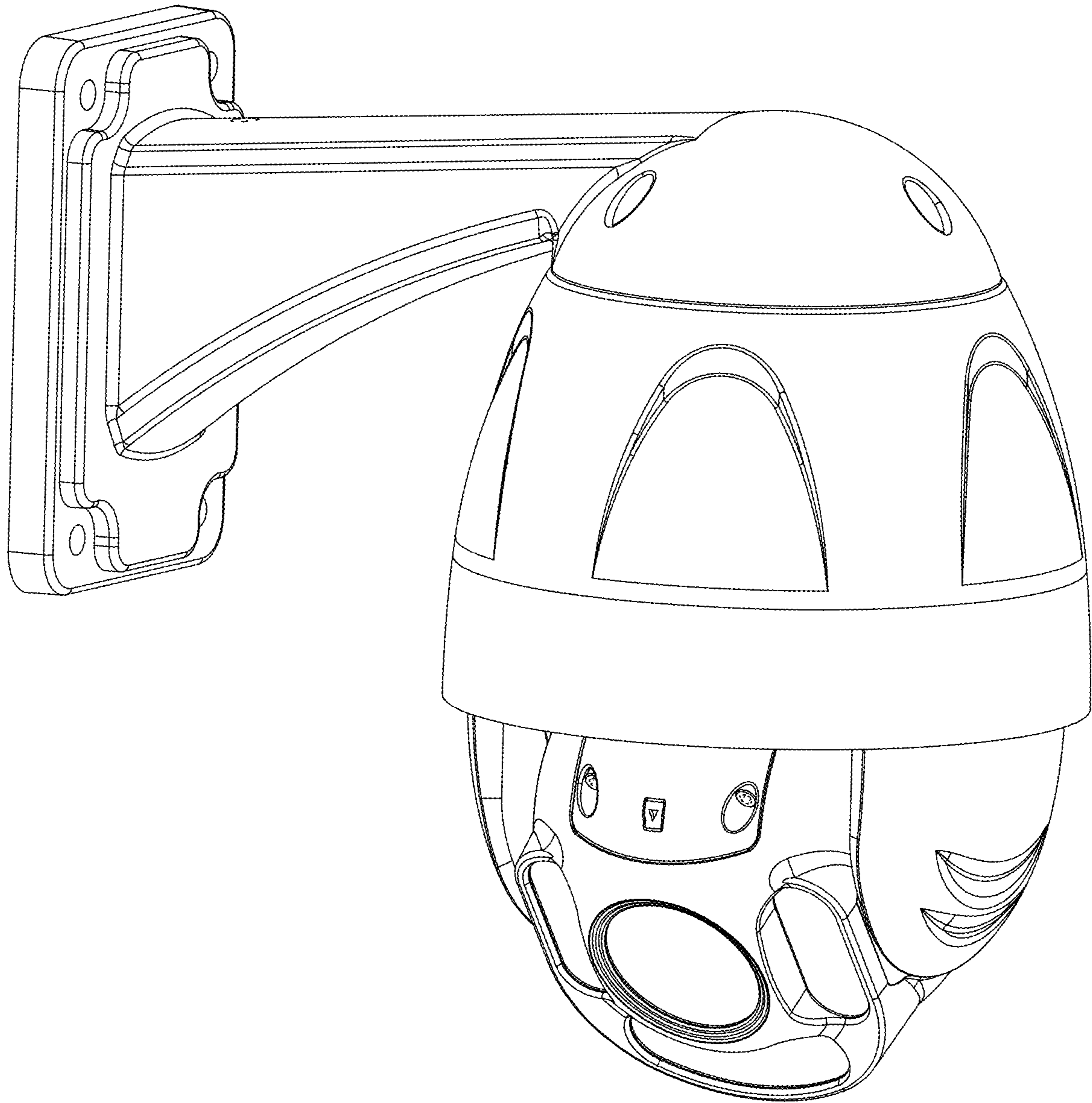


Fig. 7

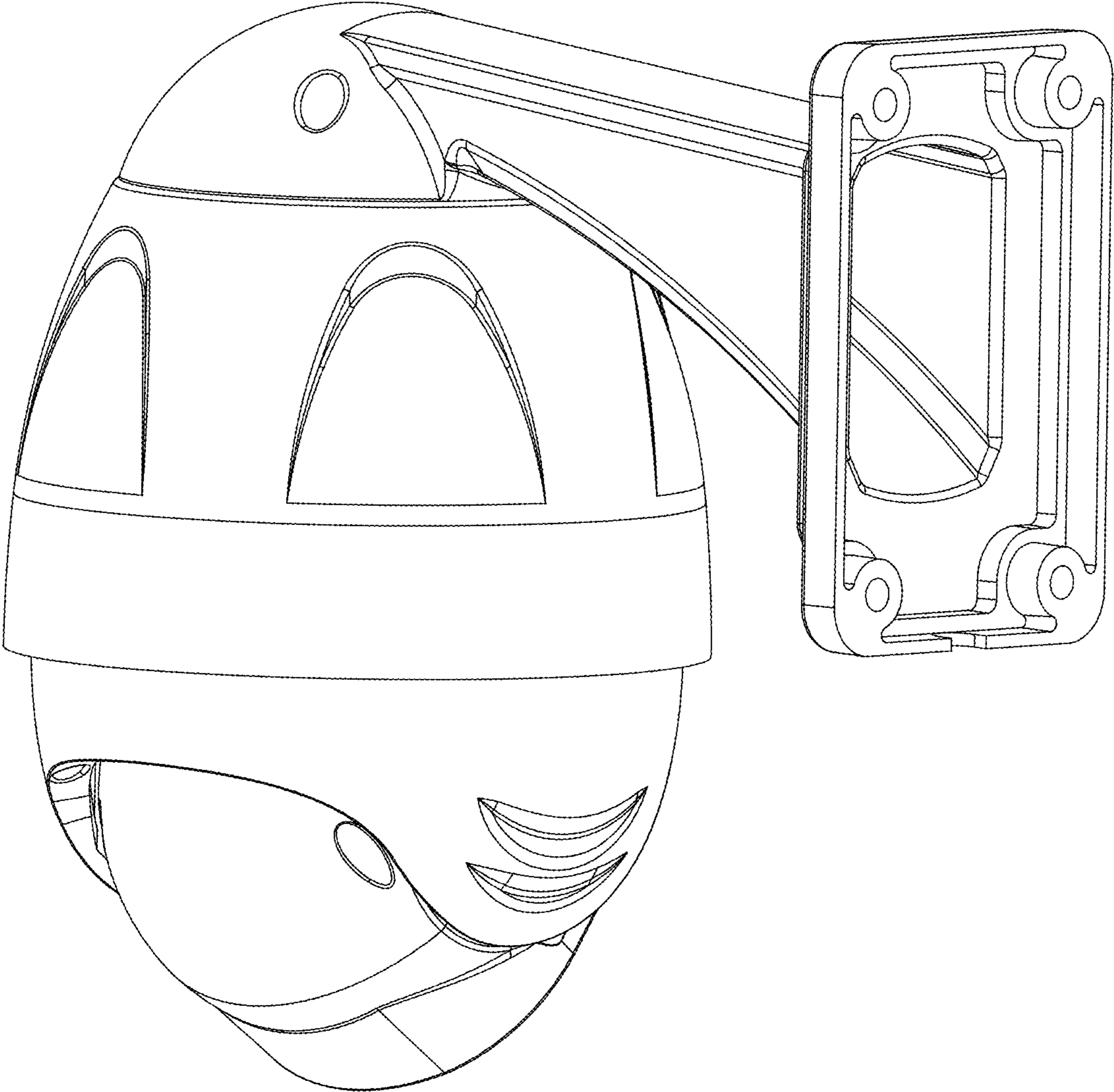


Fig. 8

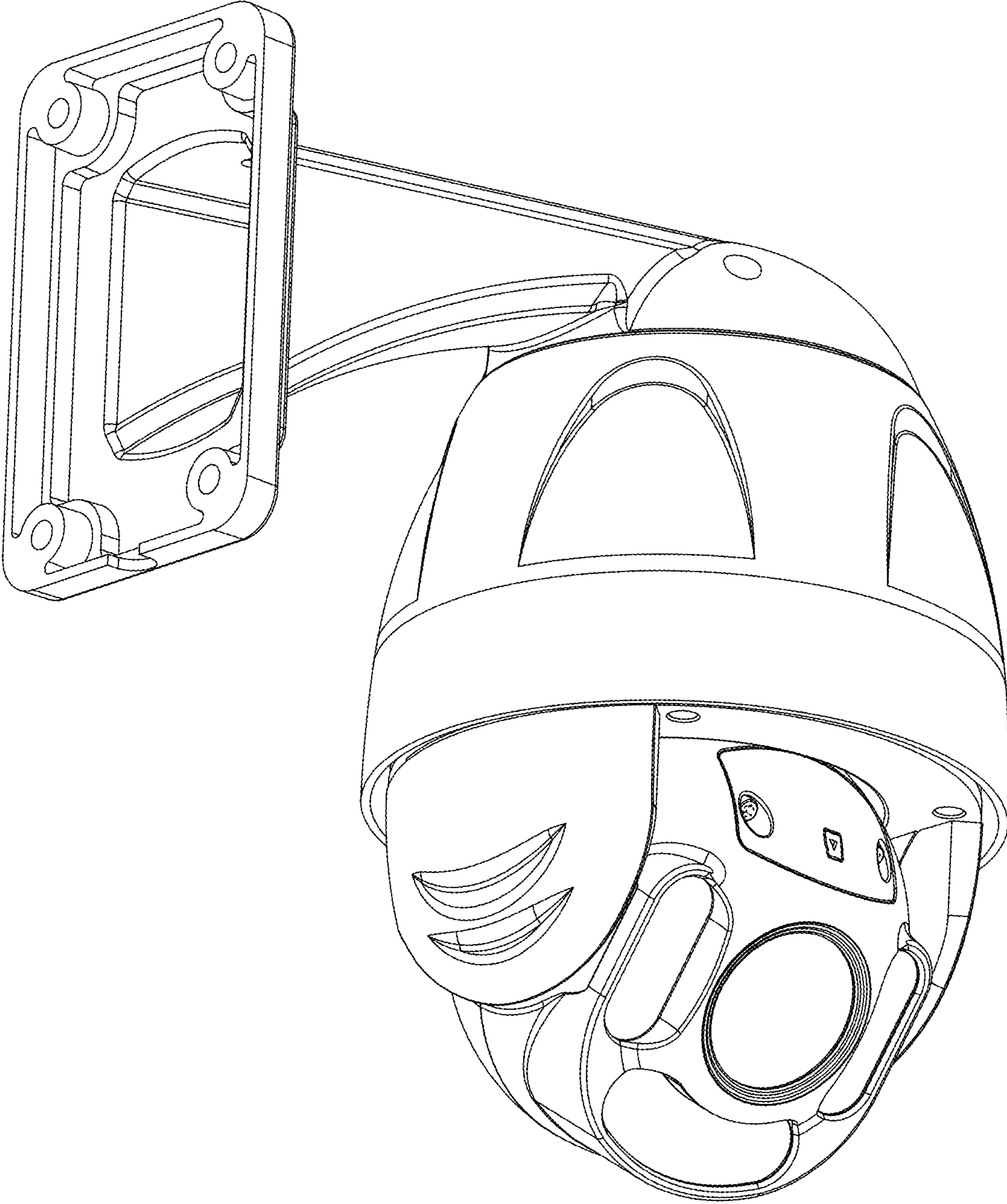


Fig. 9

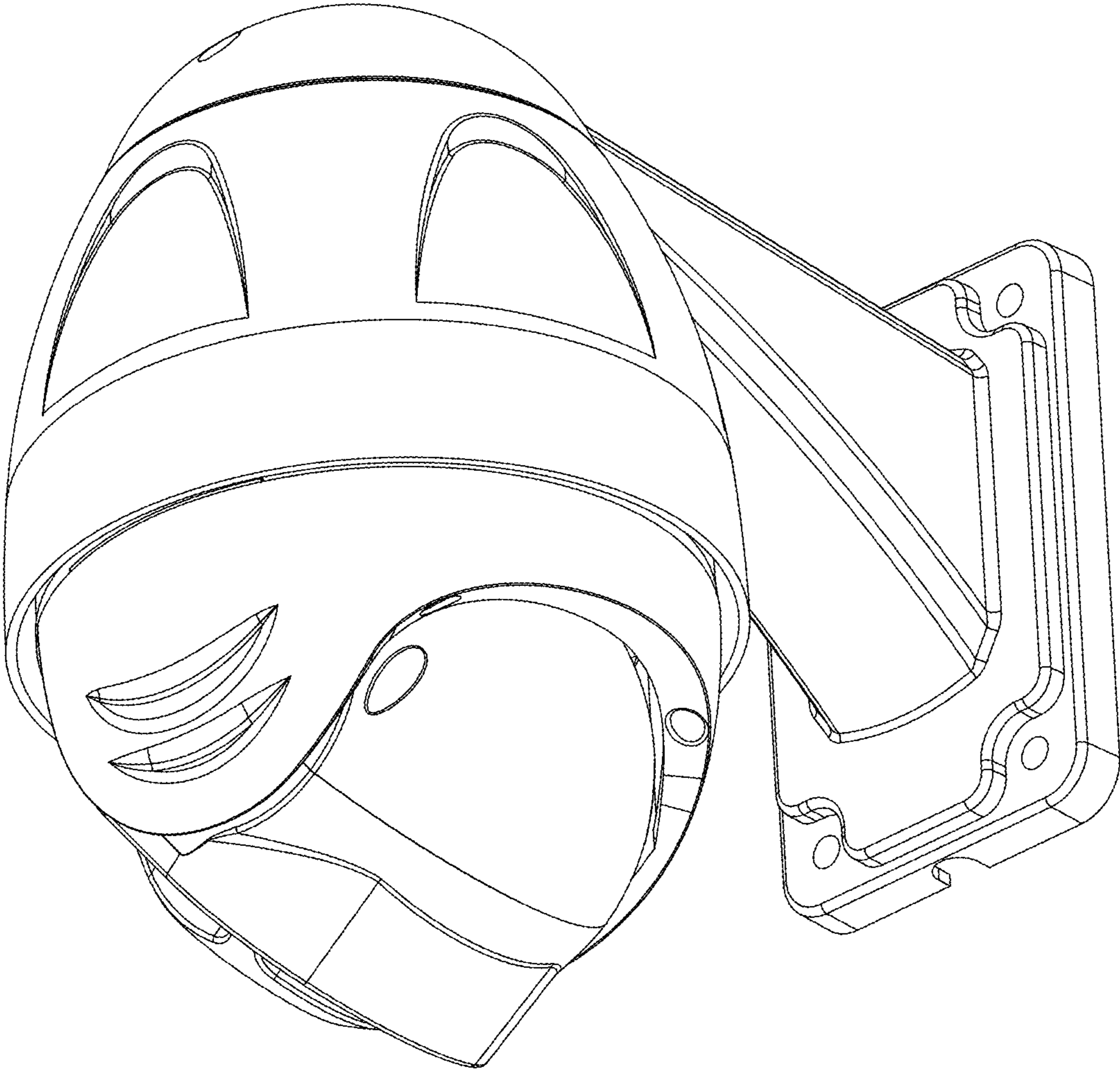


Fig. 10