



US00D901570S

(12) **United States Design Patent** (10) **Patent No.:** **US D901,570 S**  
**Hao** (45) **Date of Patent:** **\*\* Nov. 10, 2020**

(54) **WEB CAMERA**

(71) Applicant: **Shenzhen Anwei Technology Co., Ltd.**, Shenzhen (CN)

(72) Inventor: **Jianping Hao**, Shenzhen (CN)

(\*\*) Term: **15 Years**

(21) Appl. No.: **29/733,371**

(22) Filed: **May 1, 2020**

(51) **LOC (12) Cl.** ..... **16-01**

(52) **U.S. Cl.**  
USPC ..... **D16/202**

(58) **Field of Classification Search**  
USPC ..... D16/200, 202–203, 208, 218, 219, 242;  
248/187.1; 348/14.01–14.6, 143, 148,  
348/151, 373–376; 396/419, 427, 428,  
396/535, 539–541  
CPC ..... G03B 17/02; G03B 19/04; G03B 17/56;  
G03B 17/04; G03B 15/03; H04N  
2101/00; H04N 2007/145; H04N 7/141;  
H04N 7/142; H04N 7/147; H04N 7/148;  
H04N 7/15; H04N 7/152

See application file for complete search history.

(56) **References Cited**

**U.S. PATENT DOCUMENTS**

D559,883 S \* 1/2008 Nakamura ..... D16/218  
D631,079 S \* 1/2011 Tzeng ..... D16/202  
D632,719 S \* 2/2011 Tsai ..... D16/202  
D641,770 S \* 7/2011 Hoehn ..... D16/202  
D651,229 S \* 12/2011 Tan ..... D16/202  
D651,230 S \* 12/2011 Tan ..... D16/202

D654,942 S 2/2012 Khamsepoor et al.  
D665,439 S 8/2012 Khamsepoor et al.  
D678,380 S 3/2013 Pardo et al.  
D682,332 S \* 5/2013 Wang ..... D16/202  
8,475,059 B2 \* 7/2013 Khamsepoor ..... H04N 5/2251  
396/428  
D694,796 S \* 12/2013 Tsai ..... D16/202  
D712,951 S \* 9/2014 Chou ..... D16/202  
D783,075 S \* 4/2017 Maxwell ..... D16/202  
D849,089 S 5/2019 Lu

\* cited by examiner

*Primary Examiner* — Ramzi S Almatrahi

(74) *Attorney, Agent, or Firm* — KA Filing LLC; Cynthia Flanigan

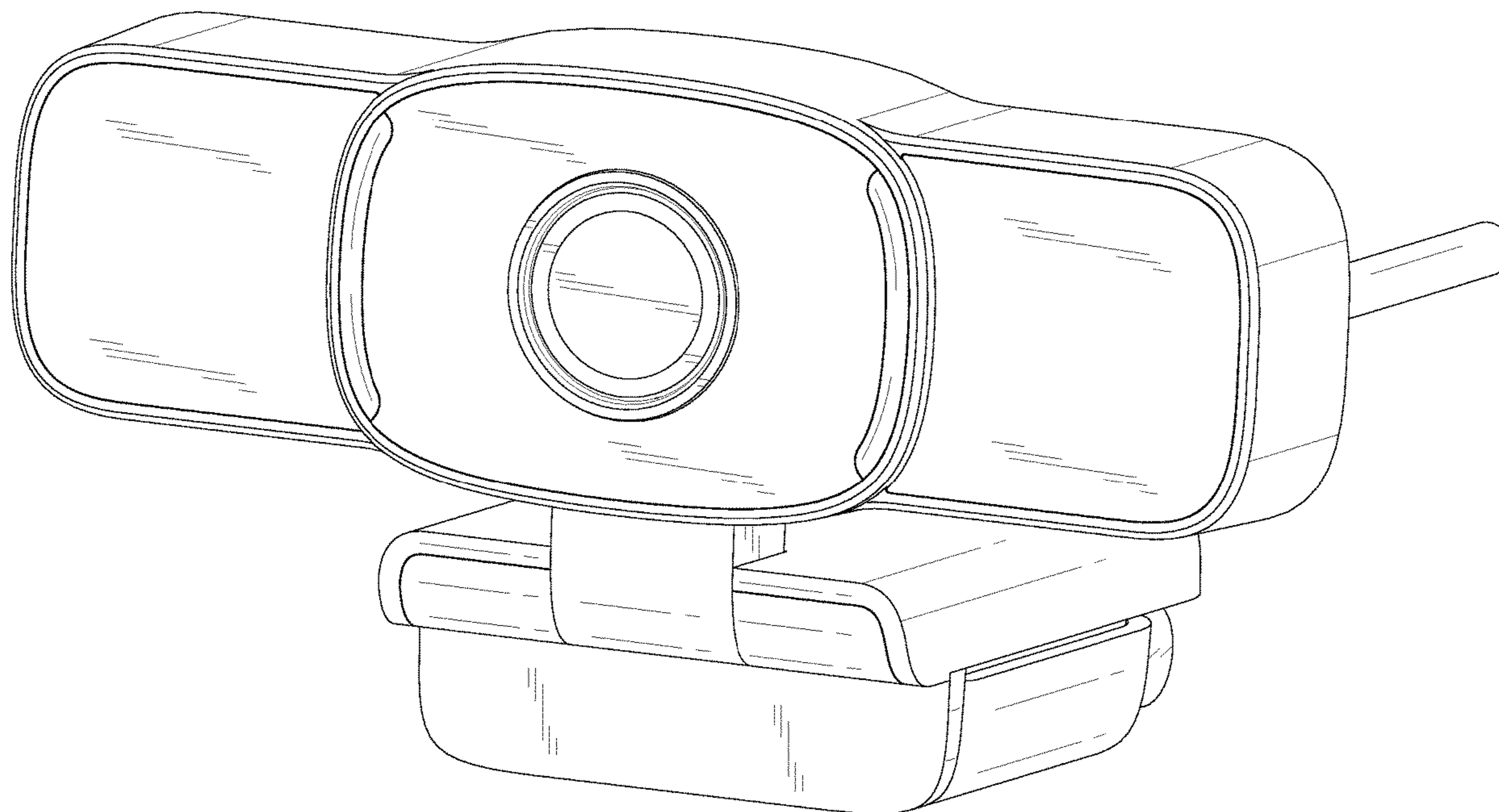
(57) **CLAIM**

The ornamental design for a web camera; as shown and described.

**DESCRIPTION**

FIG. 1 is a Perspective view of a web camera showing my new design;  
FIG. 2 is a front view thereof;  
FIG. 3 is a back view thereof;  
FIG. 4 is a right-side view thereof;  
FIG. 5 is a left-side view thereof;  
FIG. 6 is a top view thereof; and,  
FIG. 7 is a bottom view thereof.  
The broken lines depict portions of the web camera in which the design is embodied that form no part of the claimed design.

**1 Claim, 7 Drawing Sheets**



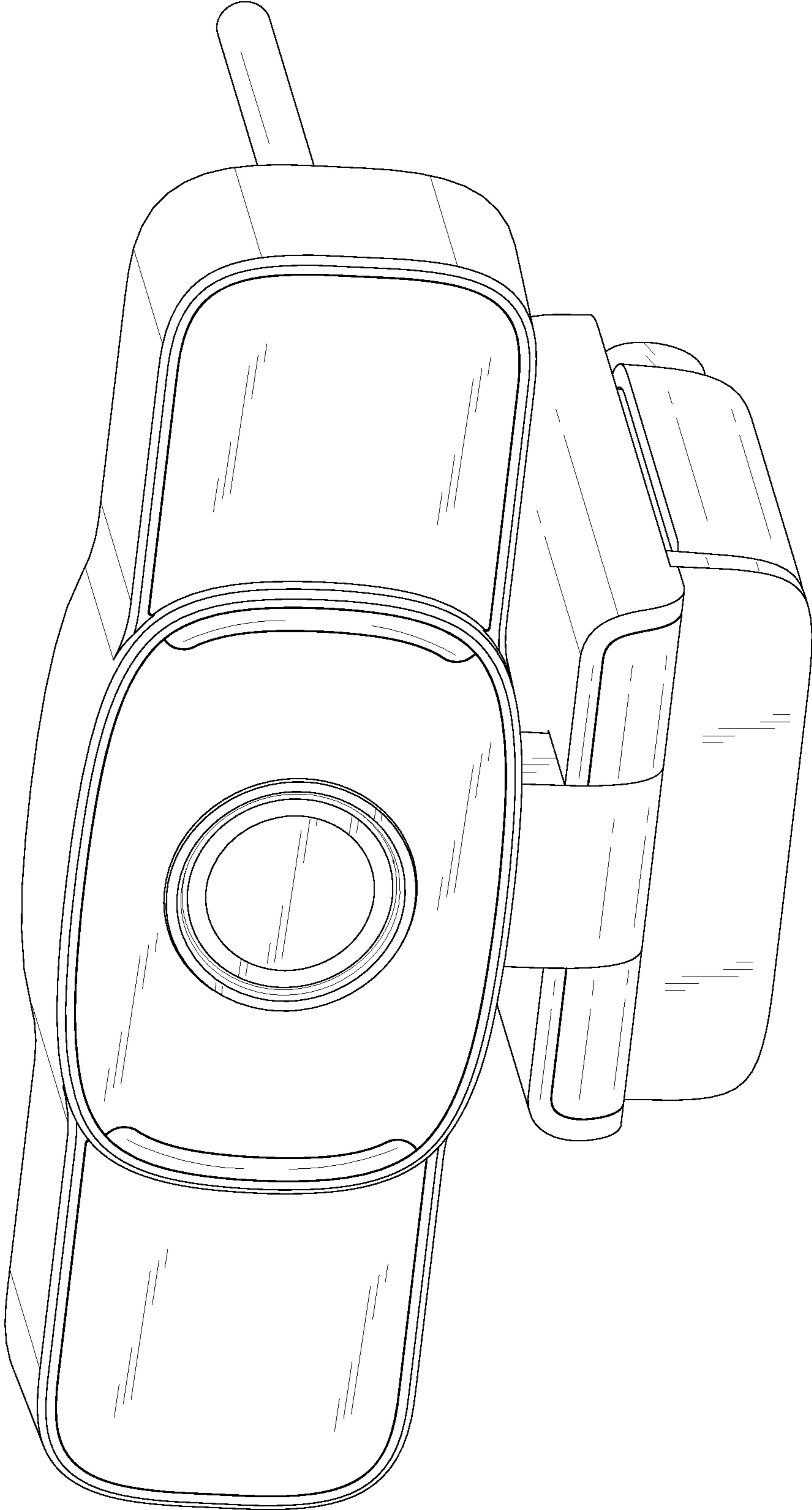


FIG. 1

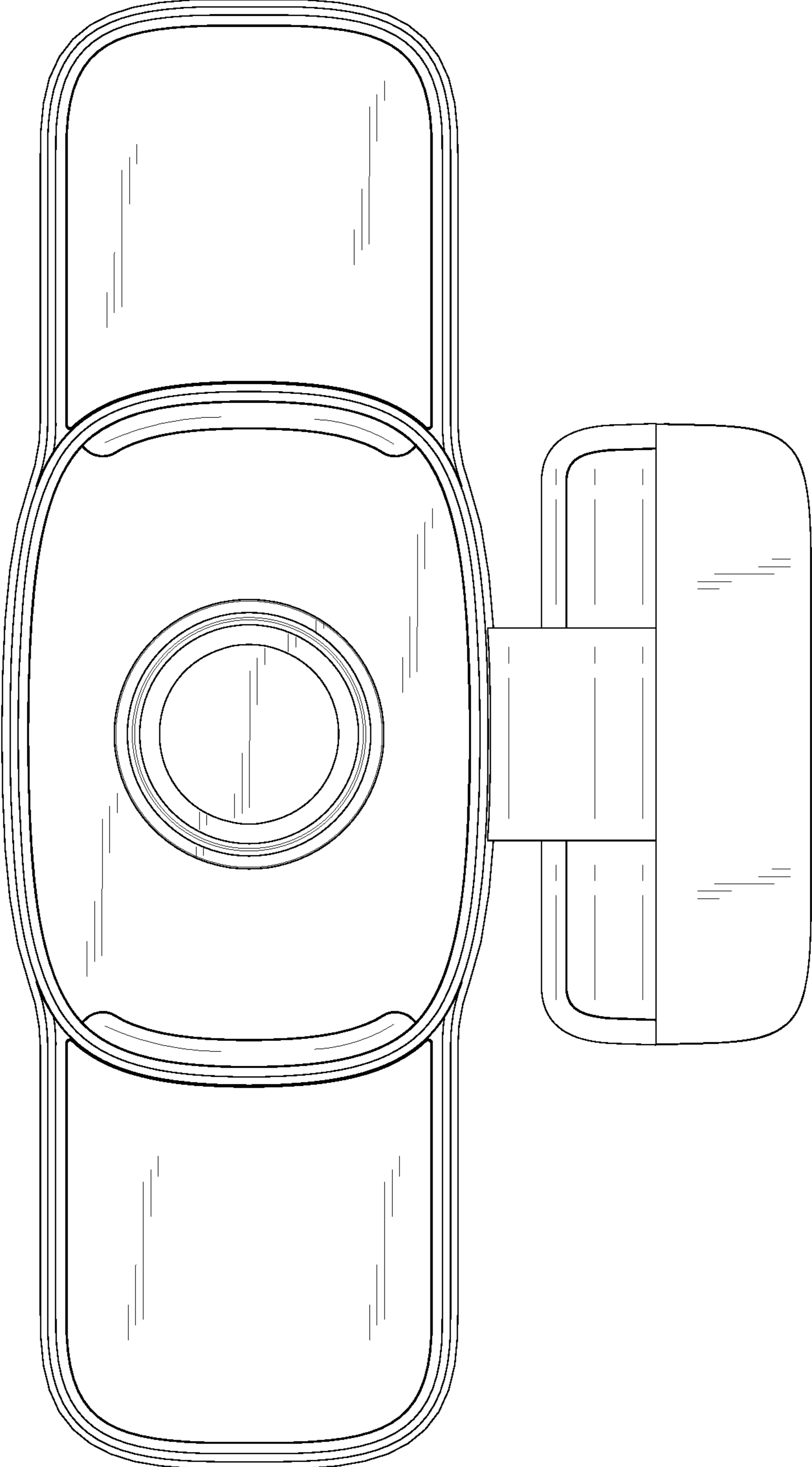


FIG. 2

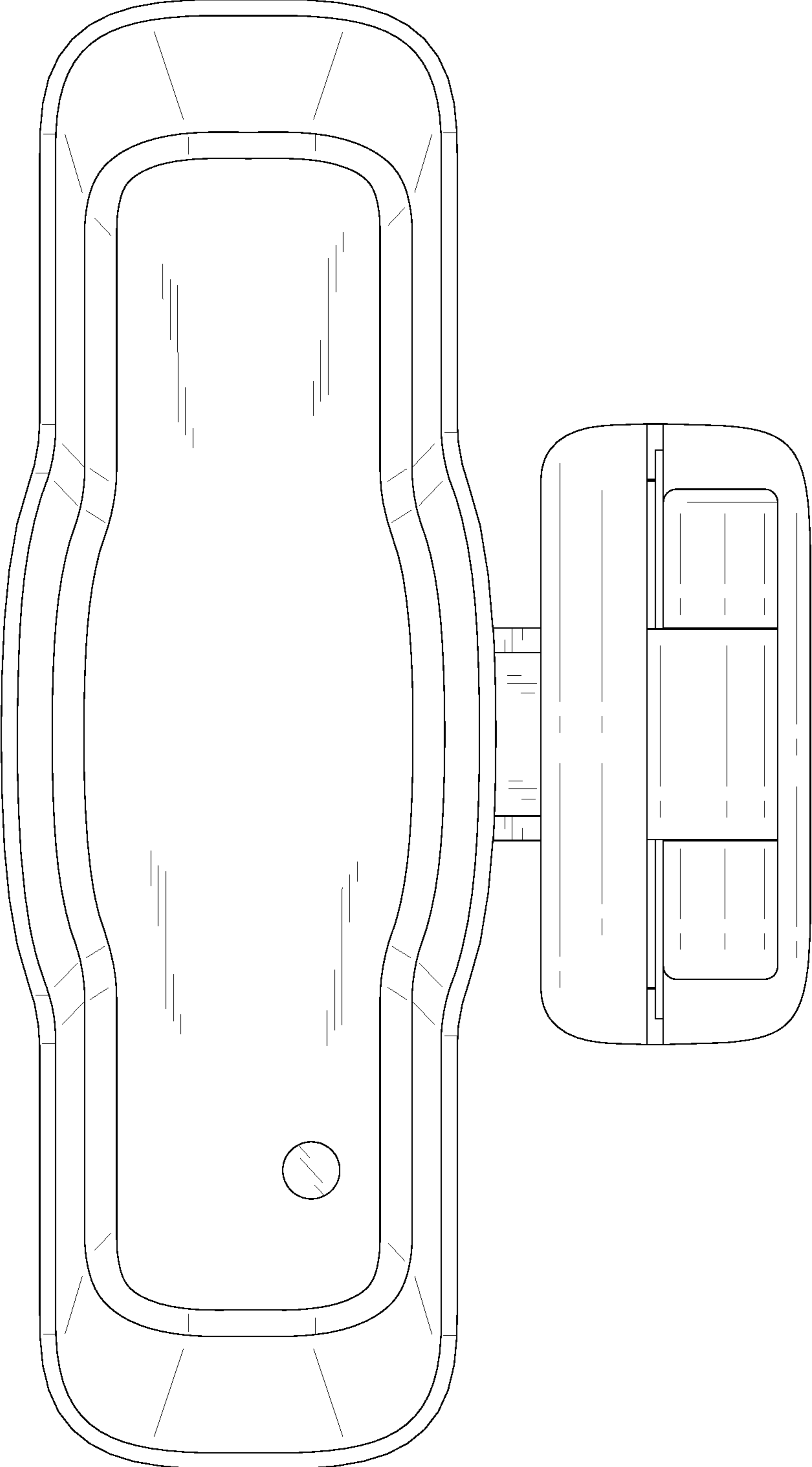


FIG. 3

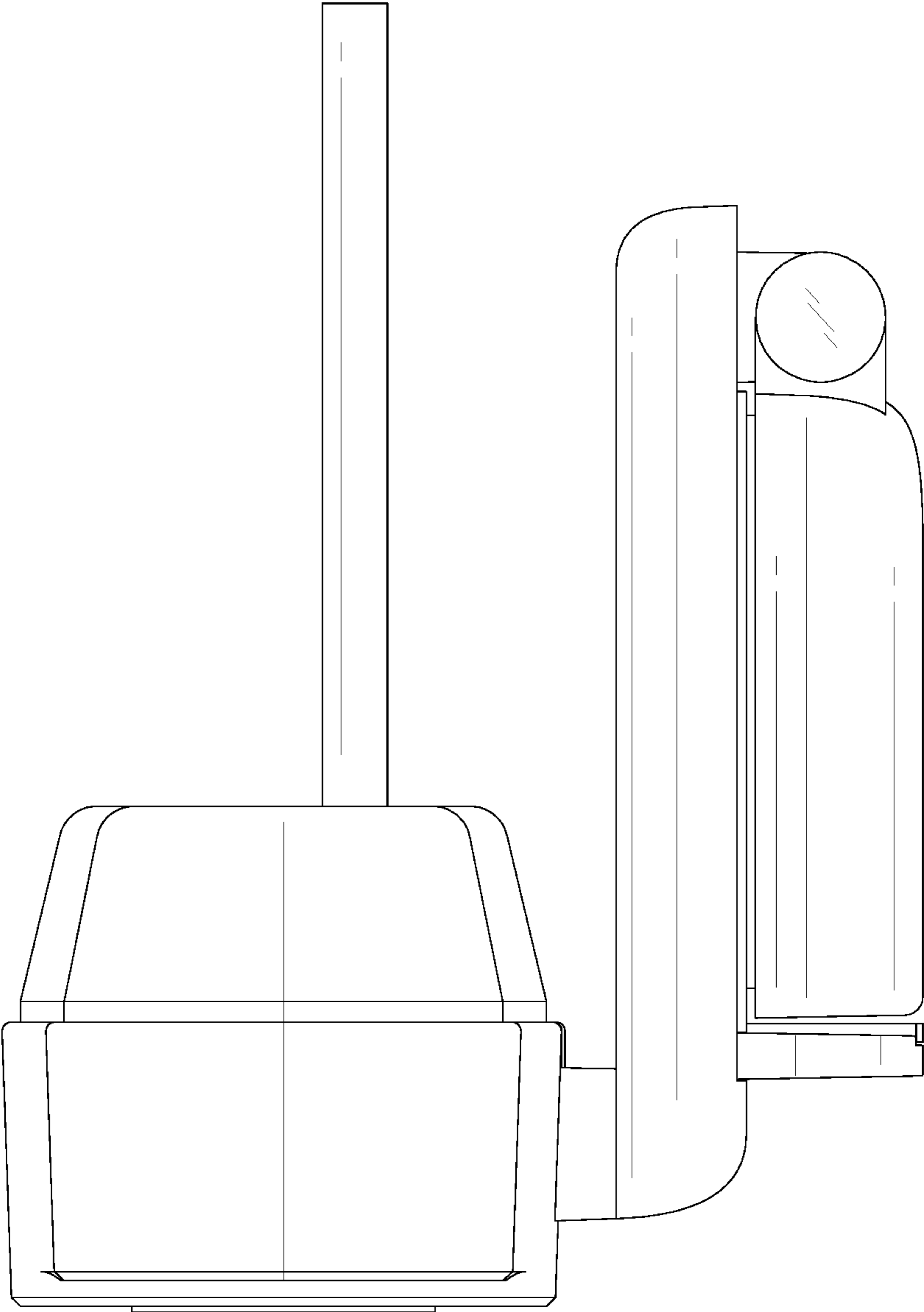


FIG. 4

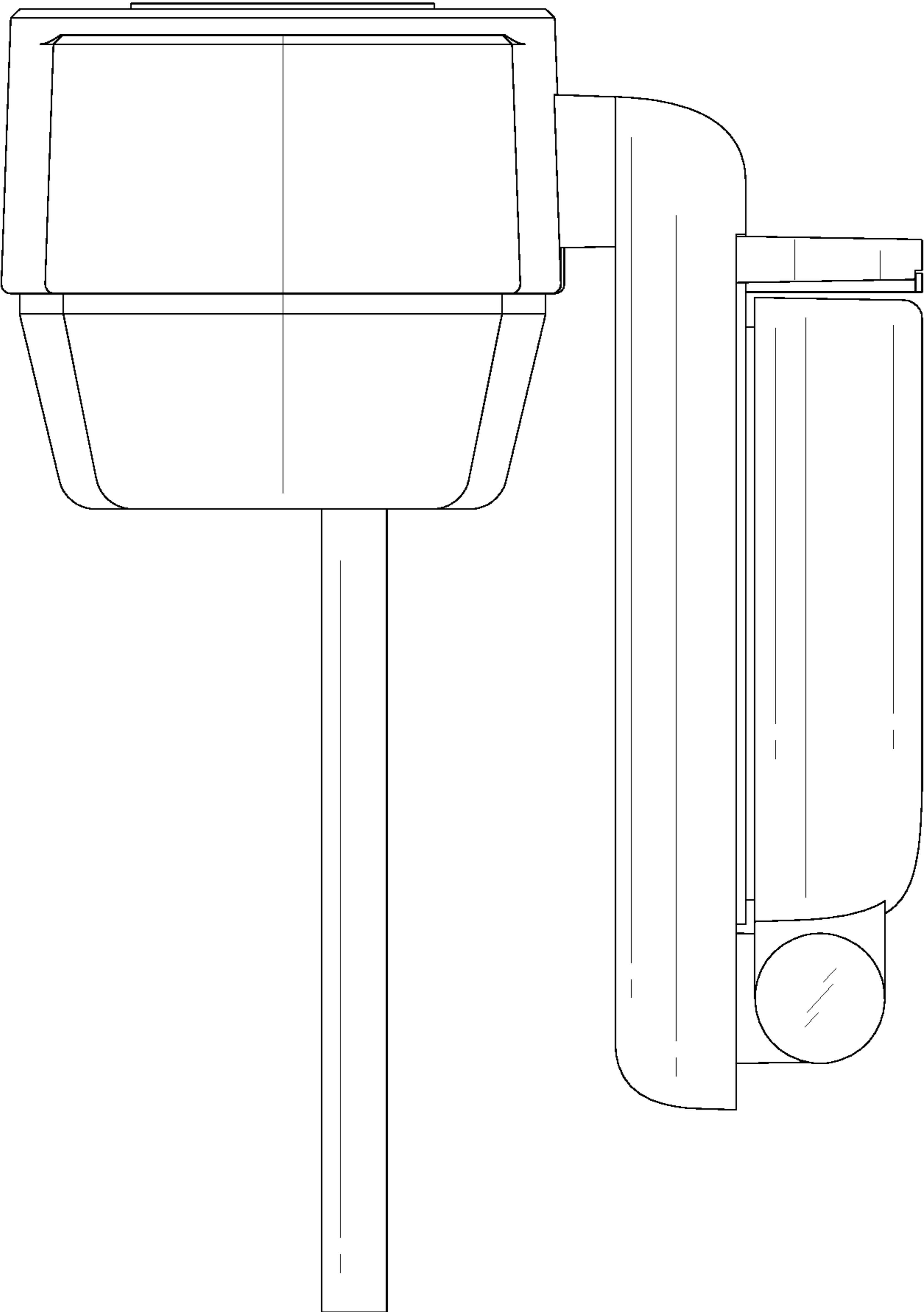


FIG. 5

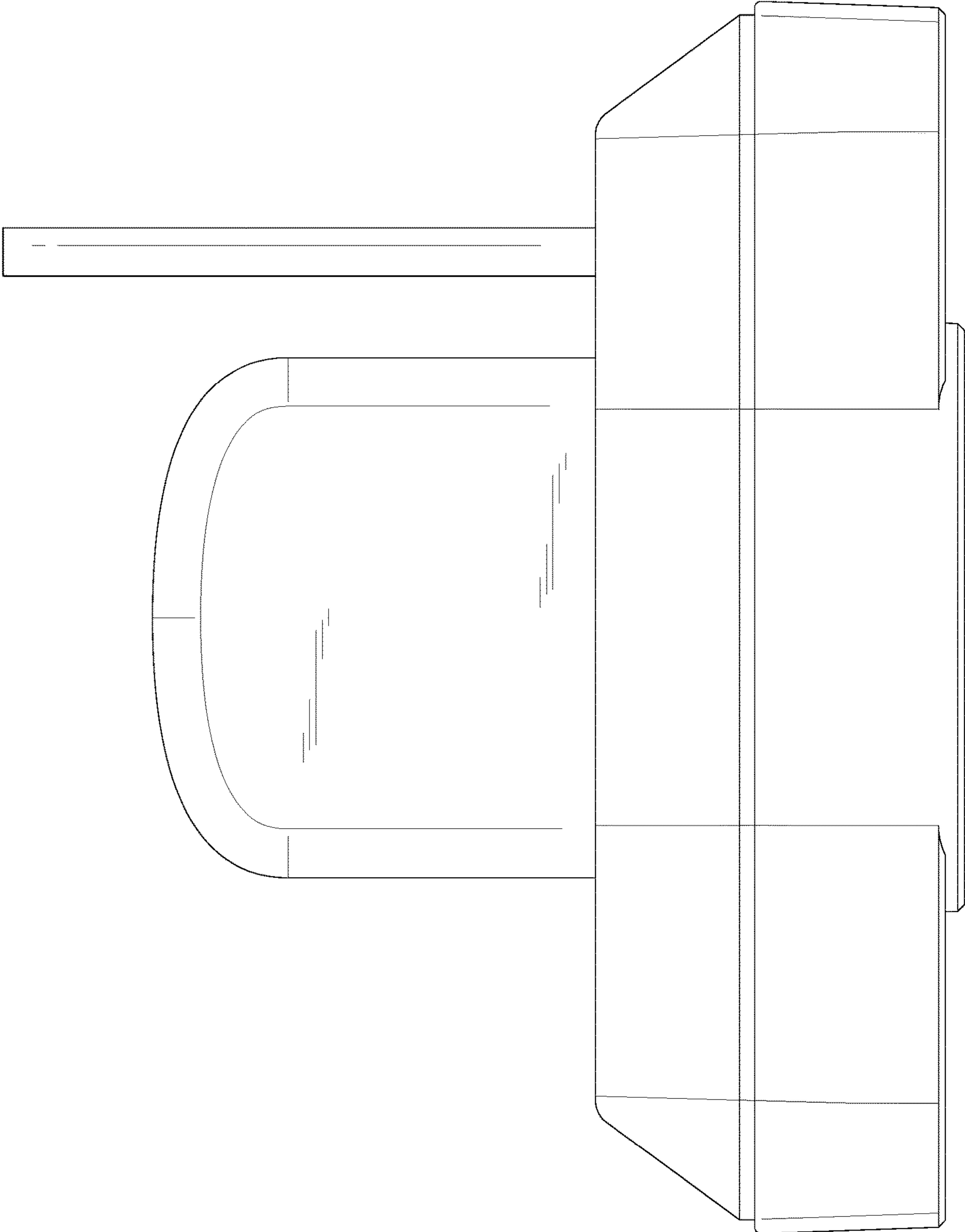


FIG. 6

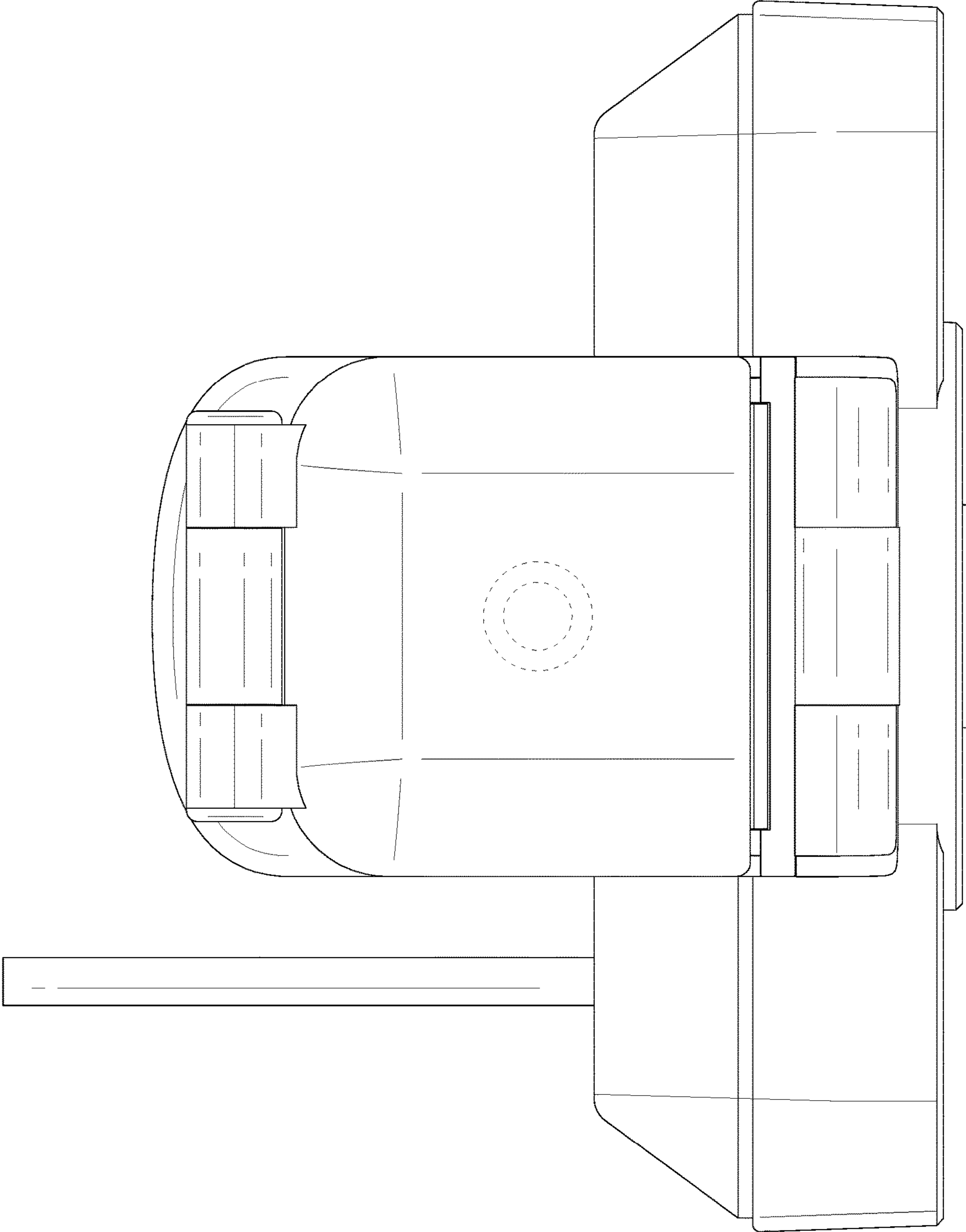


FIG. 7