



US00D901567S

(12) **United States Design Patent** (10) **Patent No.:** **US D901,567 S**  
**Zajac** (45) **Date of Patent:** **\*\* Nov. 10, 2020**

(54) **GEAR WHEEL**  
(71) Applicant: **Tarheel Distributors, Inc.**, Sanford, NC (US)  
(72) Inventor: **Joe Zajac**, Raleigh, NC (US)  
(73) Assignee: **Tarheel Distributors, Inc.**, Sanford, NC (US)

6,830,508 B2 12/2004 Hazenbroek et al.  
D771,896 S 11/2016 Hagendoorn  
D772,518 S 11/2016 Hagendoorn  
D772,519 S 11/2016 Hagendoorn  
2002/0090905 A1 7/2002 Moriarty  
2004/0198209 A1 10/2004 Hazenbroek et al.  
2007/0184768 A1 8/2007 Sorensen et al.  
2013/0196584 A1\* 8/2013 van den Berg ..... A22B 7/002  
452/188

(\*\*) Term: **15 Years**

\* cited by examiner

(21) Appl. No.: **29/693,135**

Primary Examiner — Patricia A Palasik

(22) Filed: **May 31, 2019**

(74) Attorney, Agent, or Firm — Coats & Bennett PLLC

(51) **LOC (12) Cl.** ..... **15-09**

(57) **CLAIM**

(52) **U.S. Cl.**  
USPC ..... **D15/148**; D34/29

The ornamental design for a gear wheel, as shown and described.

(58) **Field of Classification Search**  
USPC ..... D15/138, 148, 149; D34/29  
CPC ..... A22C 21/0007  
See application file for complete search history.

**DESCRIPTION**

(56) **References Cited**

**U.S. PATENT DOCUMENTS**

3,243,841 A 4/1966 Altenpohl et al.  
3,249,963 A 5/1966 Strandine  
3,289,245 A 12/1966 Van Dolah et al.  
D349,736 S \* 8/1994 Hatting ..... D21/561  
D364,199 S \* 11/1995 Schmidt ..... D21/488  
D366,073 S \* 1/1996 Schmidt ..... D21/488  
5,487,700 A 1/1996 Dillard  
6,017,269 A 1/2000 Altenpohl, III  
6,277,021 B1 \* 8/2001 Meyn ..... A22C 21/0007  
452/182  
6,764,393 B1 7/2004 Hazenbroek et al.  
D498,778 S \* 11/2004 Hu ..... D15/148

FIG. 1 is a perspective view of the gear wheel as viewed from the top.

FIG. 2 is a perspective view of the gear wheel as viewed from the bottom.

FIG. 3 is a front elevational view of the gear wheel.

FIG. 4 is a rear elevational view of the gear wheel.

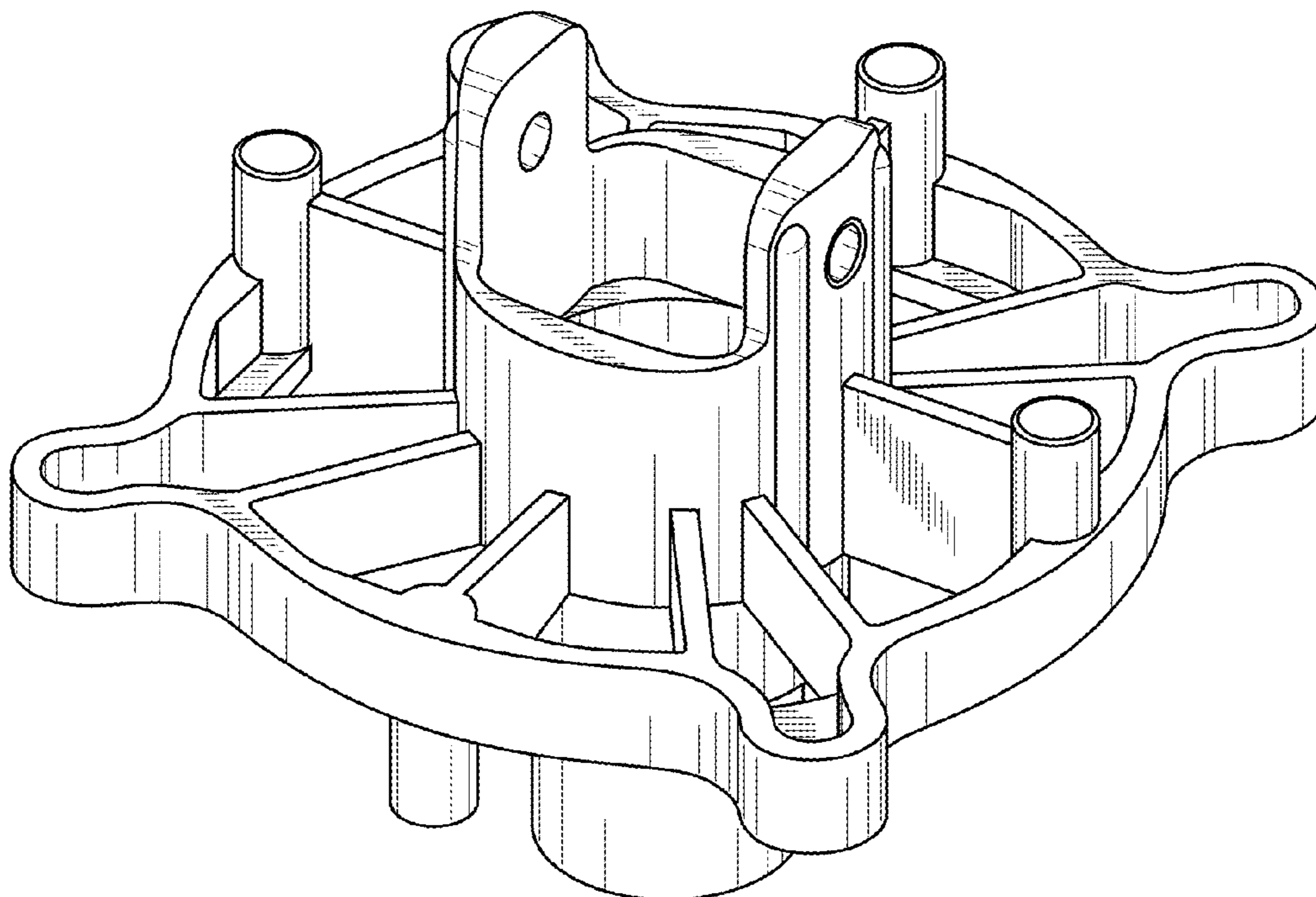
FIG. 5 is a side elevational view of one side of the gear wheel.

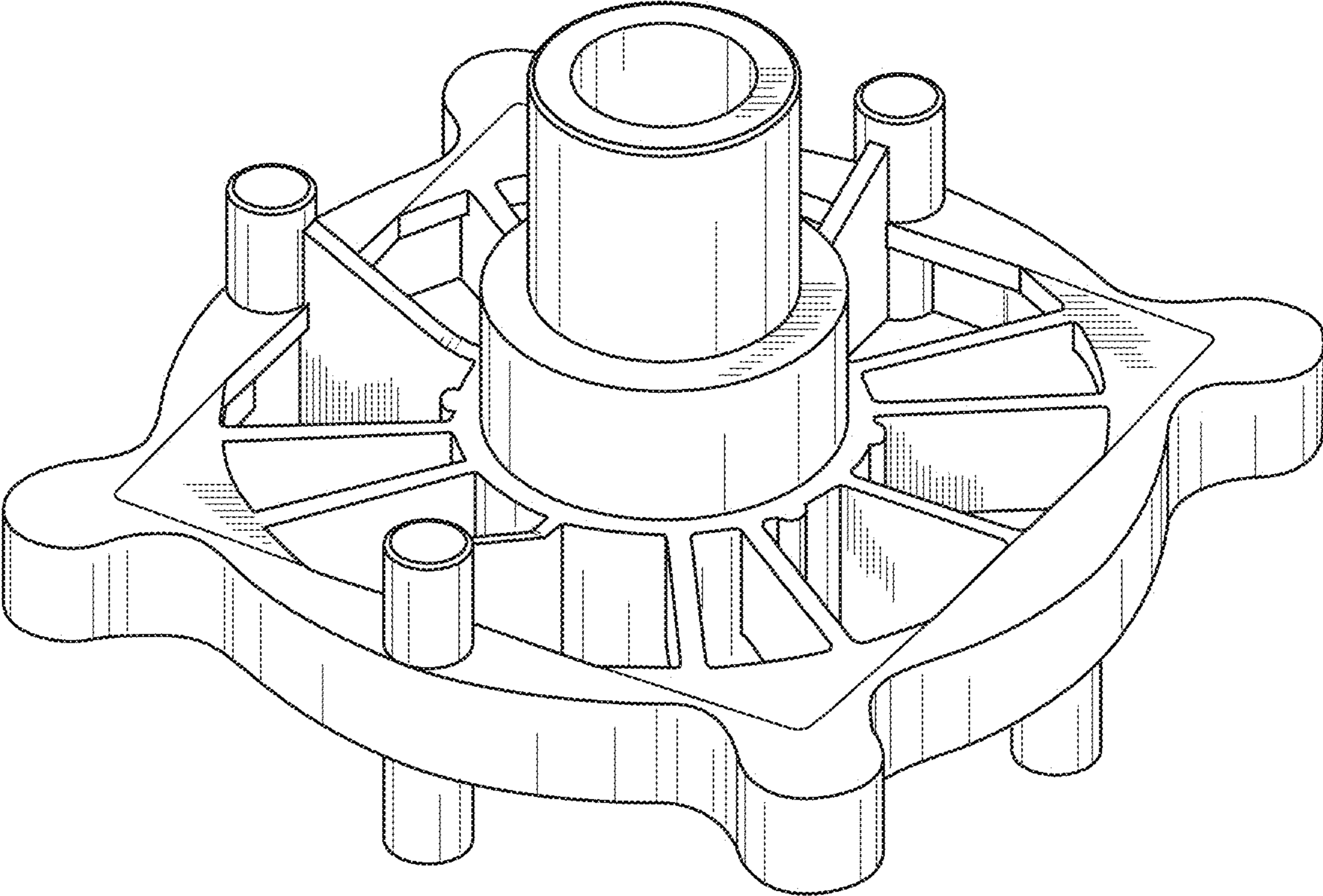
FIG. 6 is a side view of the gear wheel viewed from the opposite side of FIG. 5.

FIG. 7 is a top plan view of the gear wheel; and,

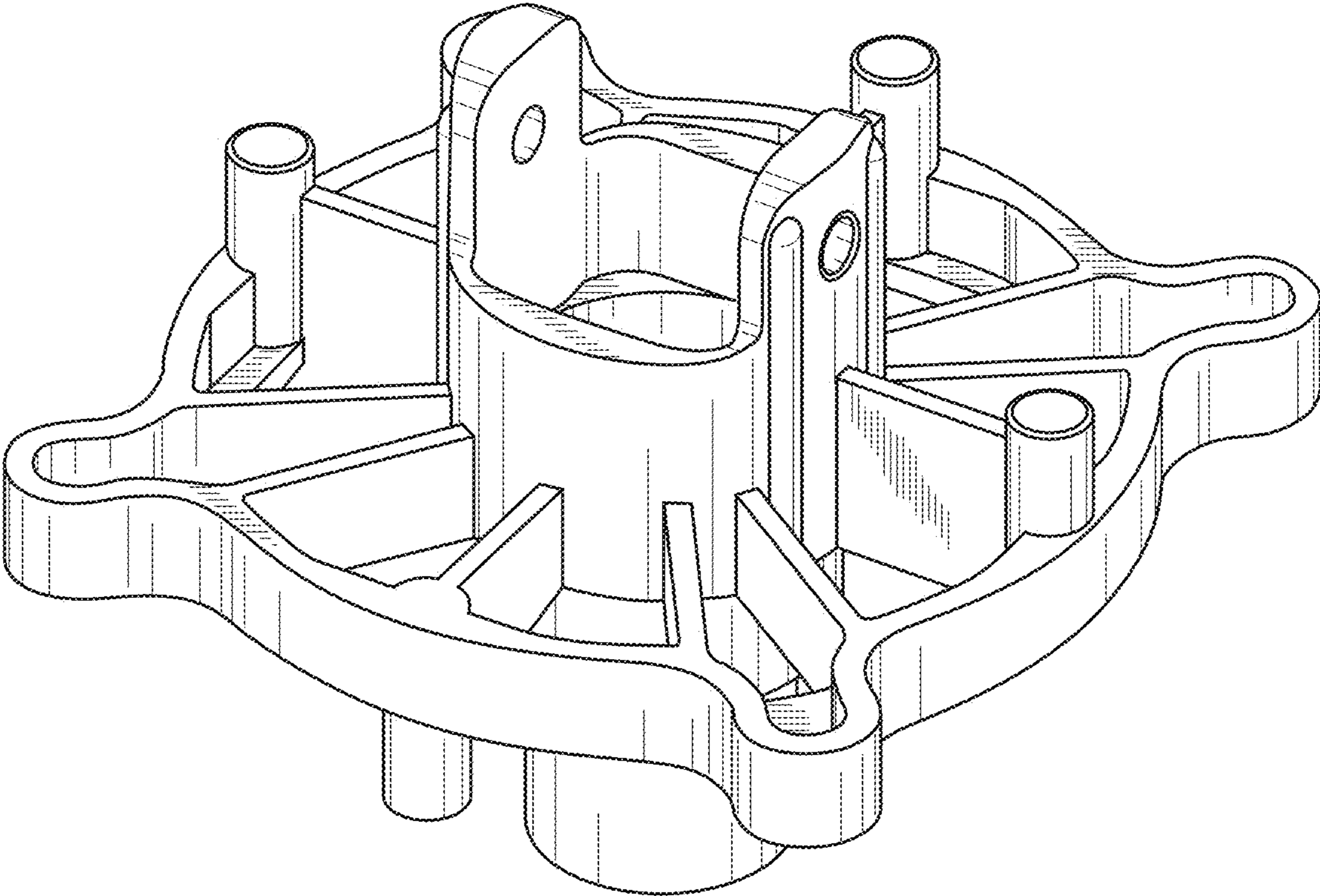
FIG. 8 is a bottom plan view of the gear wheel.

**1 Claim, 8 Drawing Sheets**

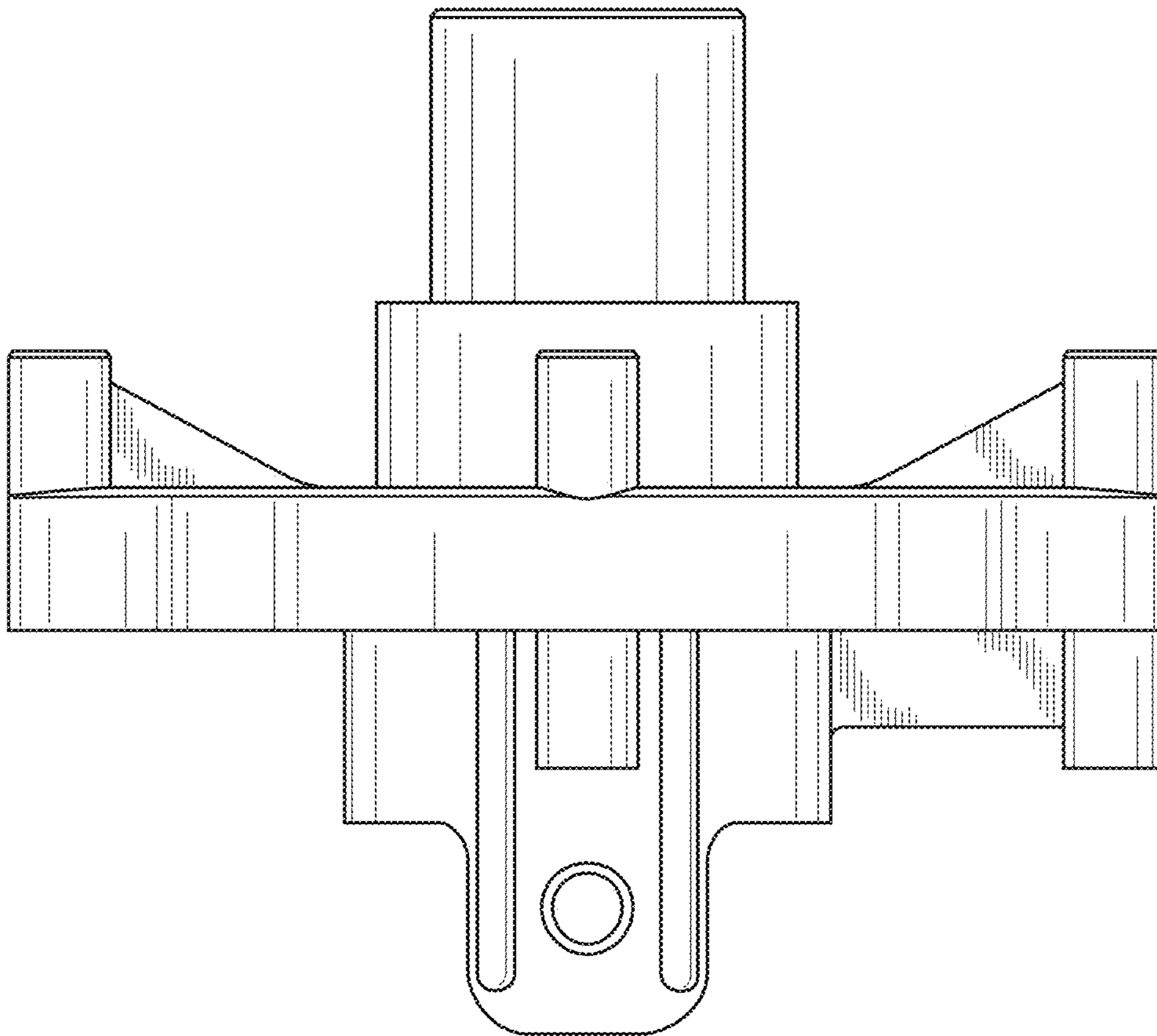




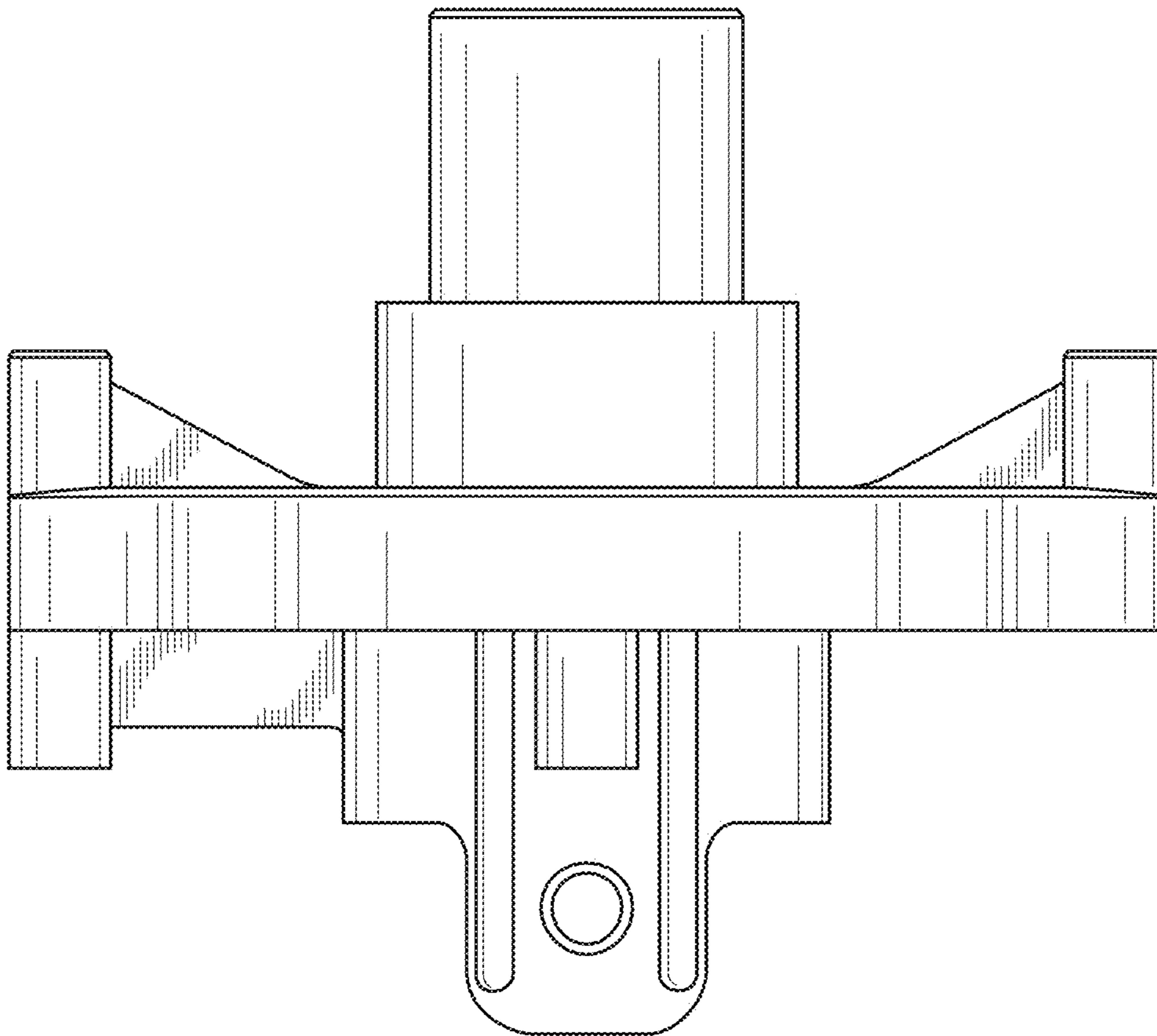
**FIG. 1**



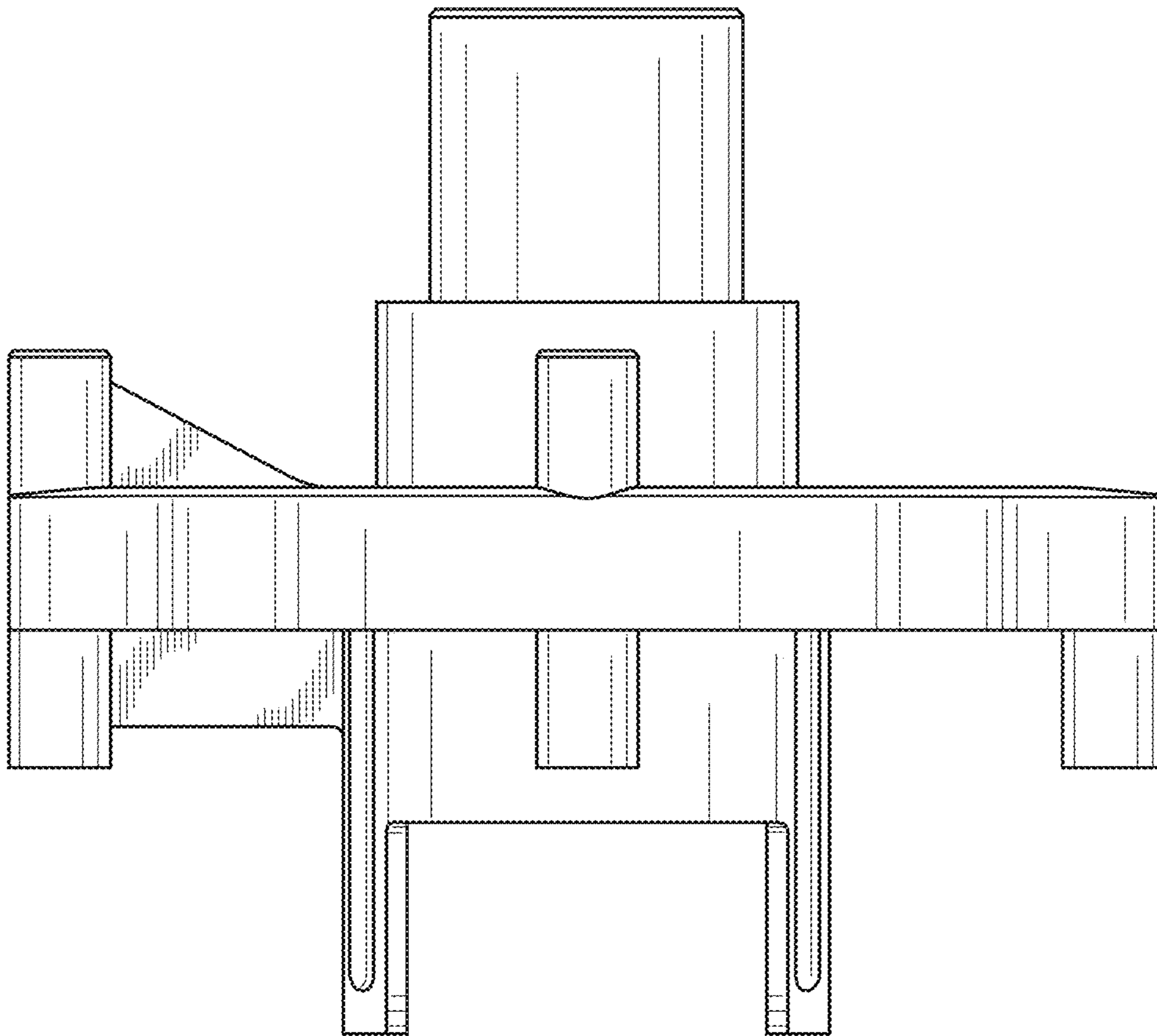
**FIG. 2**



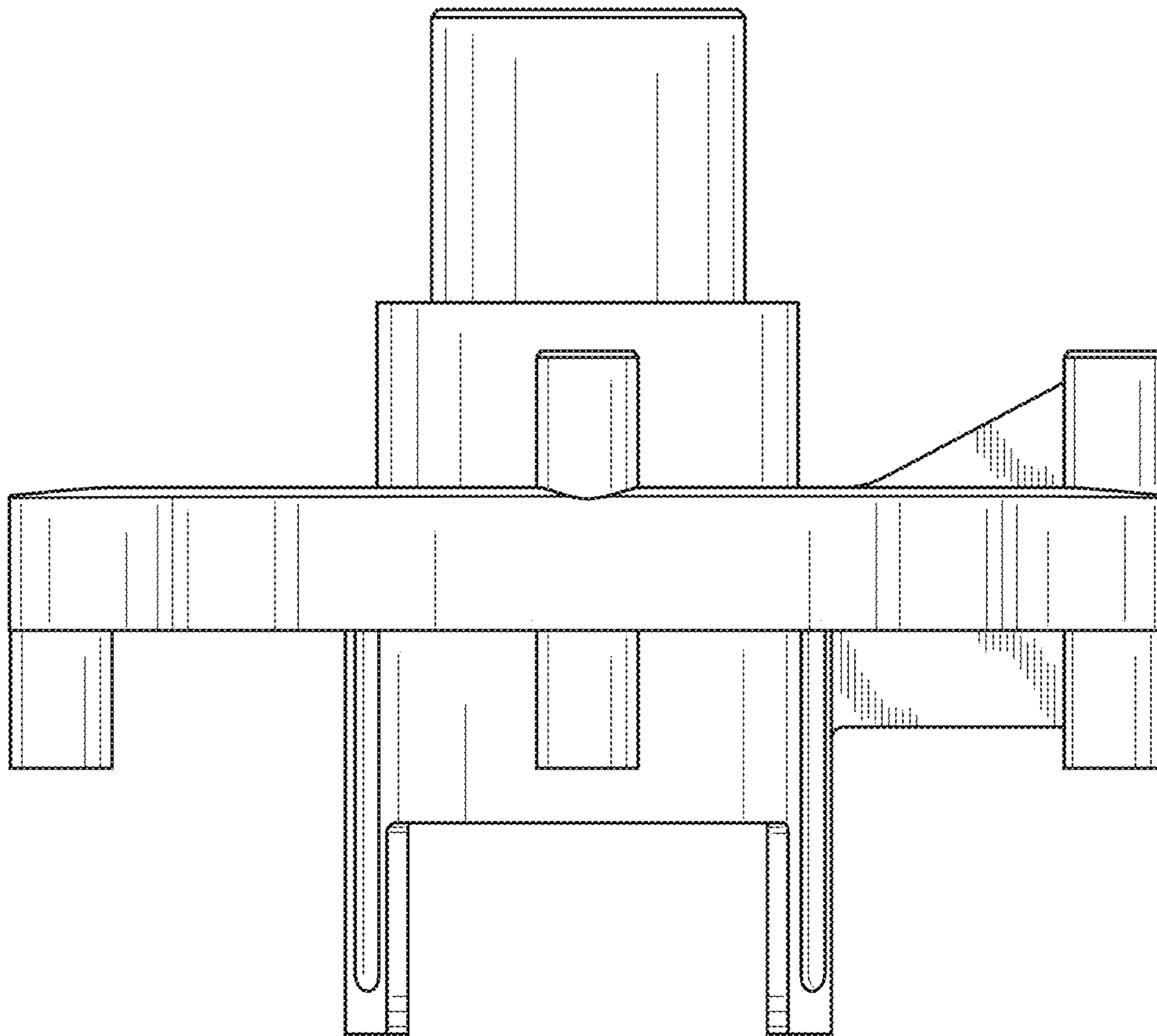
**FIG. 3**



**FIG. 4**



**FIG. 5**



**FIG. 6**

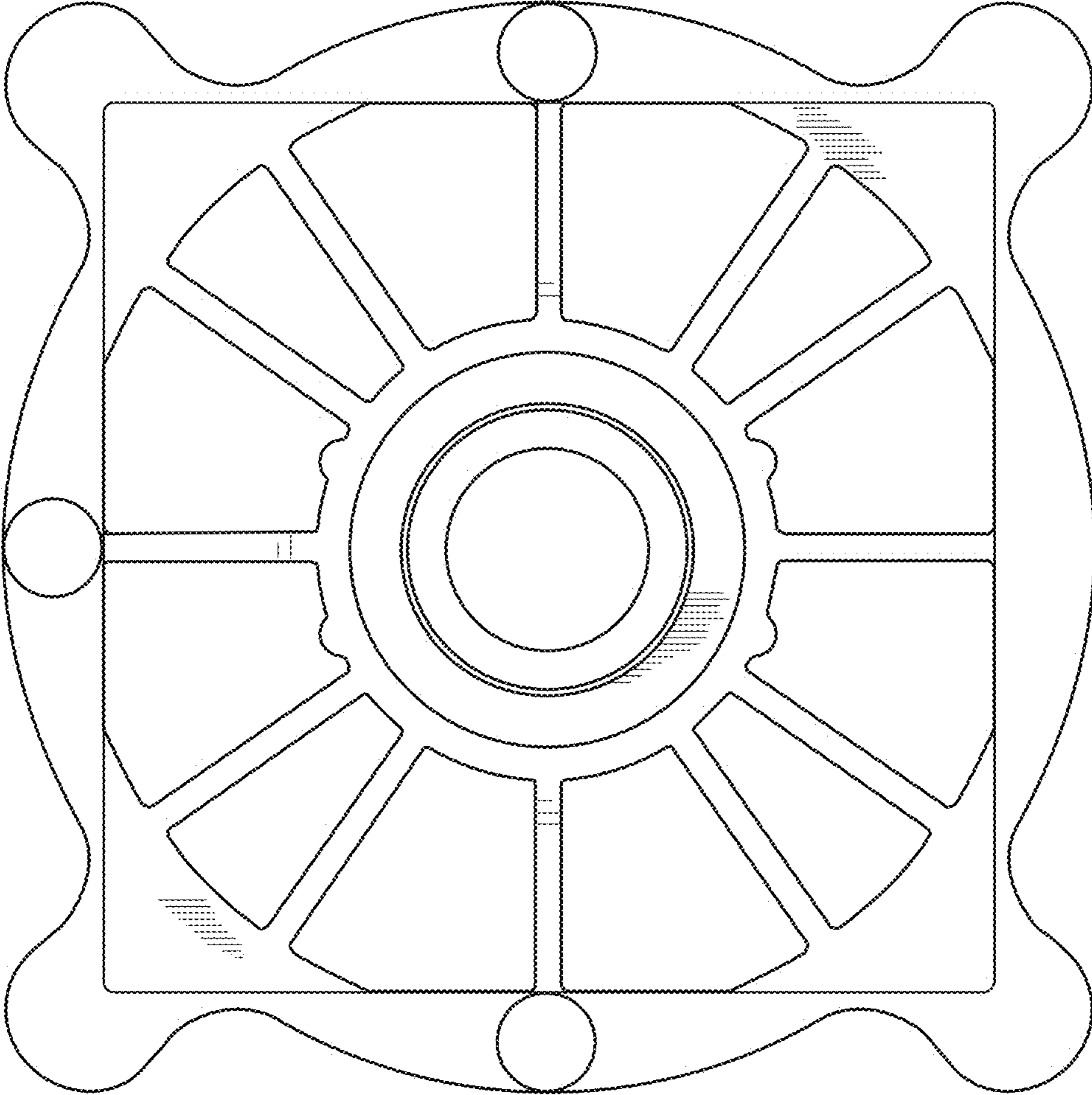


FIG. 7



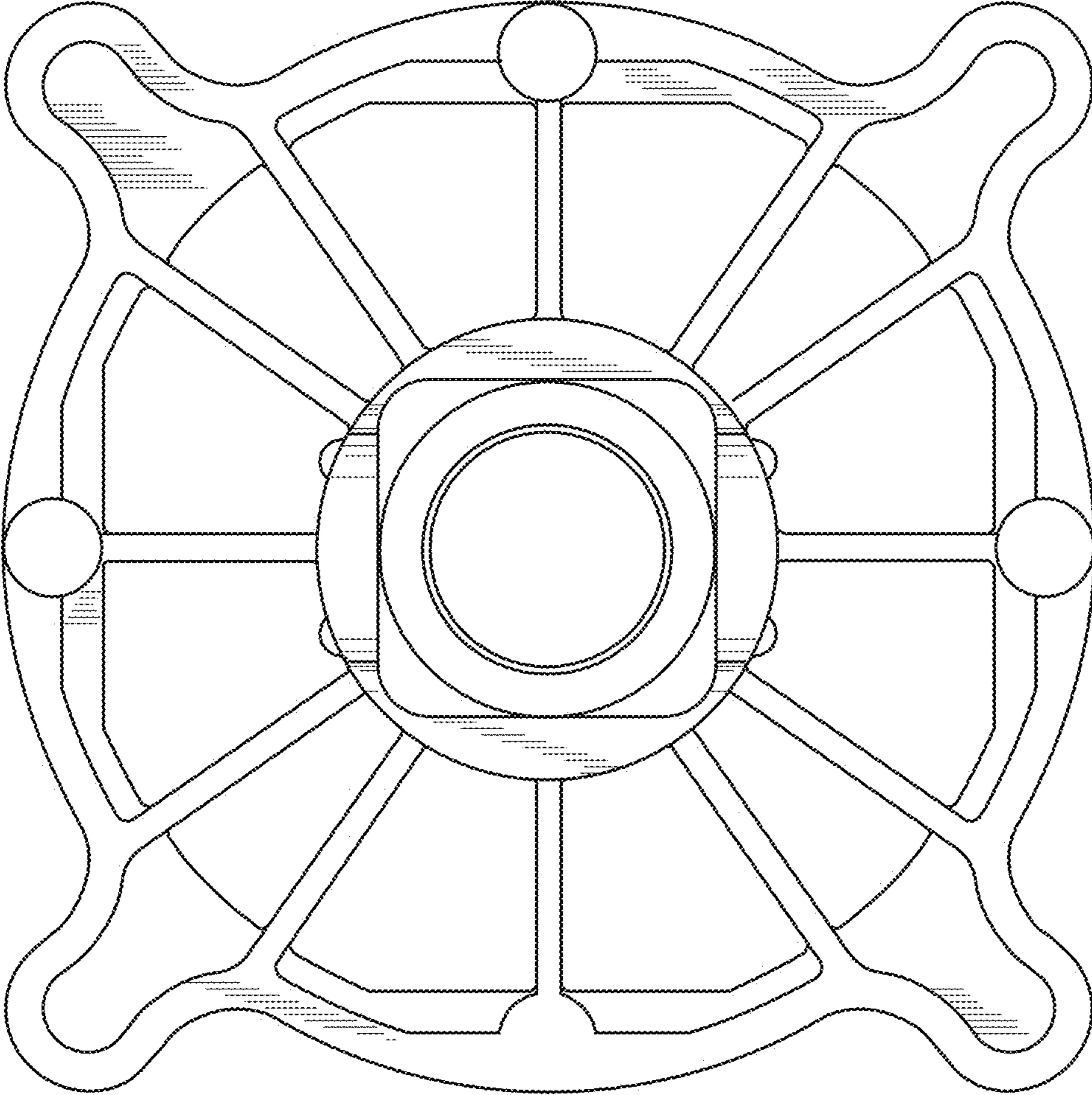


FIG. 8