



US00D901565S

(12) **United States Design Patent** (10) **Patent No.:** **US D901,565 S**
Stevens et al. (45) **Date of Patent:** **** Nov. 10, 2020**

(54) FILM DISPENSER FOR USE WITH CORELESS FILM ROLL	2,064,067 A 12/1936 Knorr D106,053 S 9/1937 Maguire 2,644,383 A * 7/1953 Meditz G03B 19/12 359/369
(71) Applicant: Inteplast Group Corporation , Livingston, NJ (US)	D202,801 S 11/1965 Whitten 3,221,868 A 12/1965 Ricker et al. D211,226 S * 5/1968 Nardone D7/300.2
(72) Inventors: Scott Stevens , Edna, TX (US); James R. Love , Sand Springs, OK (US)	3,831,824 A 8/1974 Coppersmith 4,248,392 A 2/1981 Parry 4,312,347 A 1/1982 Magoon et al.
(73) Assignee: Inteplast Group Corporation , Livingston, NJ (US)	4,484,717 A 11/1984 Goldstein 4,574,020 A 3/1986 Fosnaught D299,654 S 1/1989 Goldstein D311,296 S 10/1990 Santoiemmo
(**) Term: 15 Years	5,135,179 A 8/1992 Moran

(Continued)

(21) Appl. No.: **29/661,578**

Primary Examiner — Nathan M Johnston

(22) Filed: **Aug. 29, 2018**

(74) *Attorney, Agent, or Firm* — Stinson LLP

Related U.S. Application Data

(62) Division of application No. 29/599,216, filed on Mar. 31, 2017, now Pat. No. Des. 833,492.

(51) **LOC (12) Cl.** **15-99**

(52) **U.S. Cl.**
USPC **D15/145; D8/358**

(58) **Field of Classification Search**
USPC D6/518, 521; D8/70.1, 356, 358;
D15/145; D16/237, 246, 249, 250;
D9/455, 711; 53/221, 389.4, 390, 441;
156/577; 225/1, 39, 77, 89; 242/423,
242/423.1, 578.2, 588, 599.2; 396/661
CPC ... B65B 11/045; B65B 11/025; B65B 67/085;
B65H 75/185; B65H 2701/1944; B65H
2301/418526; B65H 75/241; B65H
16/005; B65H 2403/731; B65H 2511/12;
B65H 2220/04

See application file for complete search history.

(56) **References Cited**

U.S. PATENT DOCUMENTS

D35,200 S 10/1901 Levy
1,098,479 A 6/1914 Clark et al.

(57) **CLAIM**

The ornamental design for a film dispenser for use with coreless film roll, as shown and described.

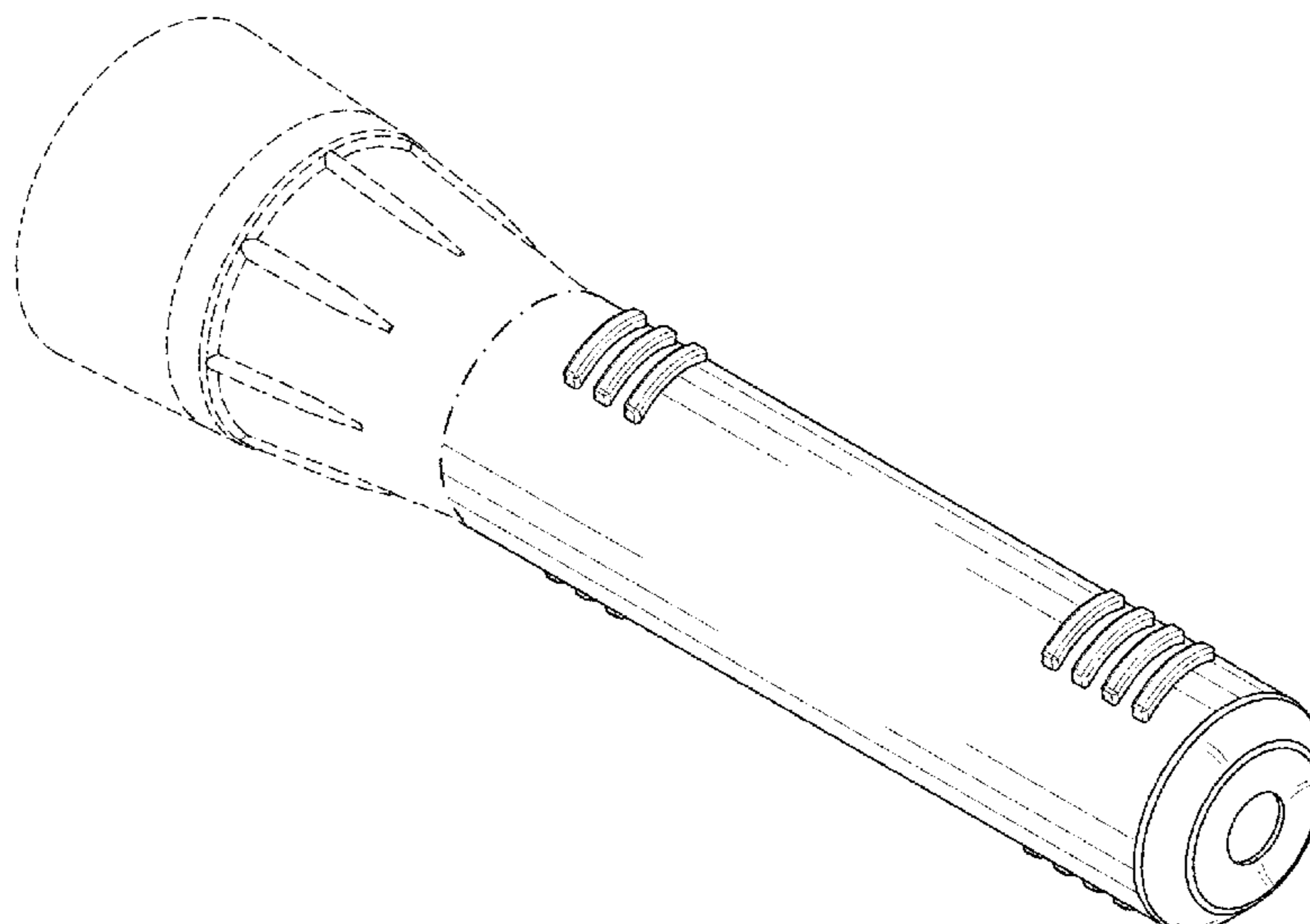
DESCRIPTION

FIG. 1 is a perspective view of a male film dispenser half of a film dispenser for use with a coreless film roll;
FIG. 2 is a front view thereof;
FIG. 3 is a top view thereof;
FIG. 4 is a right side view thereof;
FIG. 5 is a rear view thereof; and,
FIG. 6 is a bottom view thereof.

The left side view forms no part of the claimed design of the male film dispenser half of FIGS. 1-6.

The dot dash lines shown in the figures that are immediately adjacent to the shaded areas and define unshaded regions represent the bounds of the claim, while all other broken lines illustrate the portions of the design that form no part of the claimed design. None of the broken lines form any part of the claimed design.

1 Claim, 6 Drawing Sheets



(56)

References Cited

U.S. PATENT DOCUMENTS

D332,198 S 1/1993 Goodman, Jr.
 D340,822 S 11/1993 Morand
 5,570,564 A 11/1996 Moore et al.
 D389,364 S 1/1998 Vallarella et al.
 D394,178 S 5/1998 Gremchuck
 D396,589 S 8/1998 Daansen
 D414,361 S 9/1999 Senecal, Jr.
 5,951,538 A * 9/1999 Joshi A61M 31/002
 604/500
 5,996,473 A 12/1999 Milone
 D420,025 S 2/2000 Gabriele
 6,019,308 A 2/2000 Huang
 D423,913 S 5/2000 Dougan, Jr.
 D424,167 S 5/2000 Yuen et al.
 6,230,999 B1 5/2001 Tanaka
 D447,043 S 8/2001 Wyers
 D453,644 S 2/2002 Baggett
 D495,176 S 8/2004 Wolpert et al.
 D498,967 S 11/2004 White
 D537,722 S 3/2007 Jaichandra et al.
 D548,973 S * 8/2007 Dawson D3/272
 D565,387 S 4/2008 Remark et al.
 D570,687 S 6/2008 Kelders et al.
 D579,761 S 11/2008 Tooman
 D587,584 S 3/2009 Jaichandra et al.
 D589,348 S * 3/2009 Miller D9/445
 7,537,140 B2 5/2009 Lin
 D603,206 S 11/2009 Wallace
 7,665,686 B2 2/2010 Becker et al.
 D632,512 S 2/2011 Bejdova
 7,937,915 B2 5/2011 Kohn et al.
 7,942,364 B2 5/2011 Yu Chen
 D641,468 S 7/2011 Ruiz et al.
 8,002,781 B1 * 8/2011 Dermody, IV H02G 3/0481
 156/148
 D649,570 S 11/2011 Chen
 8,302,435 B2 11/2012 Burmesch et al.

D686,869 S * 7/2013 Shoshan D7/354
 D687,923 S * 8/2013 Jung D23/211.2
 D688,138 S 8/2013 Kim
 8,499,946 B2 8/2013 Giles et al.
 8,616,490 B2 12/2013 Blok
 D697,332 S 1/2014 Huang
 D699,064 S 2/2014 Katterheinrich et al.
 D707,532 S 6/2014 Stangl et al.
 D719,826 S 12/2014 Burnside
 D729,608 S 5/2015 Kalous et al.
 D738,414 S 9/2015 Chen
 9,150,381 B2 10/2015 Li et al.
 D745,364 S 12/2015 Chen et al.
 D748,476 S 2/2016 Lakstins
 D758,879 S * 6/2016 Chen D9/688
 9,517,908 B2 * 12/2016 Meier B65H 35/002
 D786,699 S 5/2017 Shipulin
 D844,037 S * 3/2019 Stevens D15/145
 2002/0108407 A1 8/2002 Zapushek
 2003/0223914 A1 12/2003 Arter et al.
 2004/0098952 A1 5/2004 Burdorff
 2005/0145406 A1 7/2005 Hall et al.
 2007/0151208 A1 7/2007 Huang
 2009/0084074 A1 4/2009 Barbery
 2009/0308968 A1 12/2009 Piotrowski et al.
 2011/0041458 A1 2/2011 Yu Chen
 2011/0042504 A1 2/2011 Yu Chen
 2011/0049287 A1 * 3/2011 Yu Chen B65H 75/241
 242/578.2
 2011/0095122 A1 * 4/2011 Yu Chen B65B 67/08
 242/416
 2011/0284572 A1 11/2011 Meyer et al.
 2012/0193388 A1 8/2012 Machota
 2013/0186997 A1 7/2013 Martinez et al.
 2013/0227913 A1 9/2013 Harrison
 2015/0321800 A1 11/2015 Viale et al.
 2016/0289033 A1 10/2016 Love et al.
 2016/0347574 A1 12/2016 Yu Chen

* cited by examiner

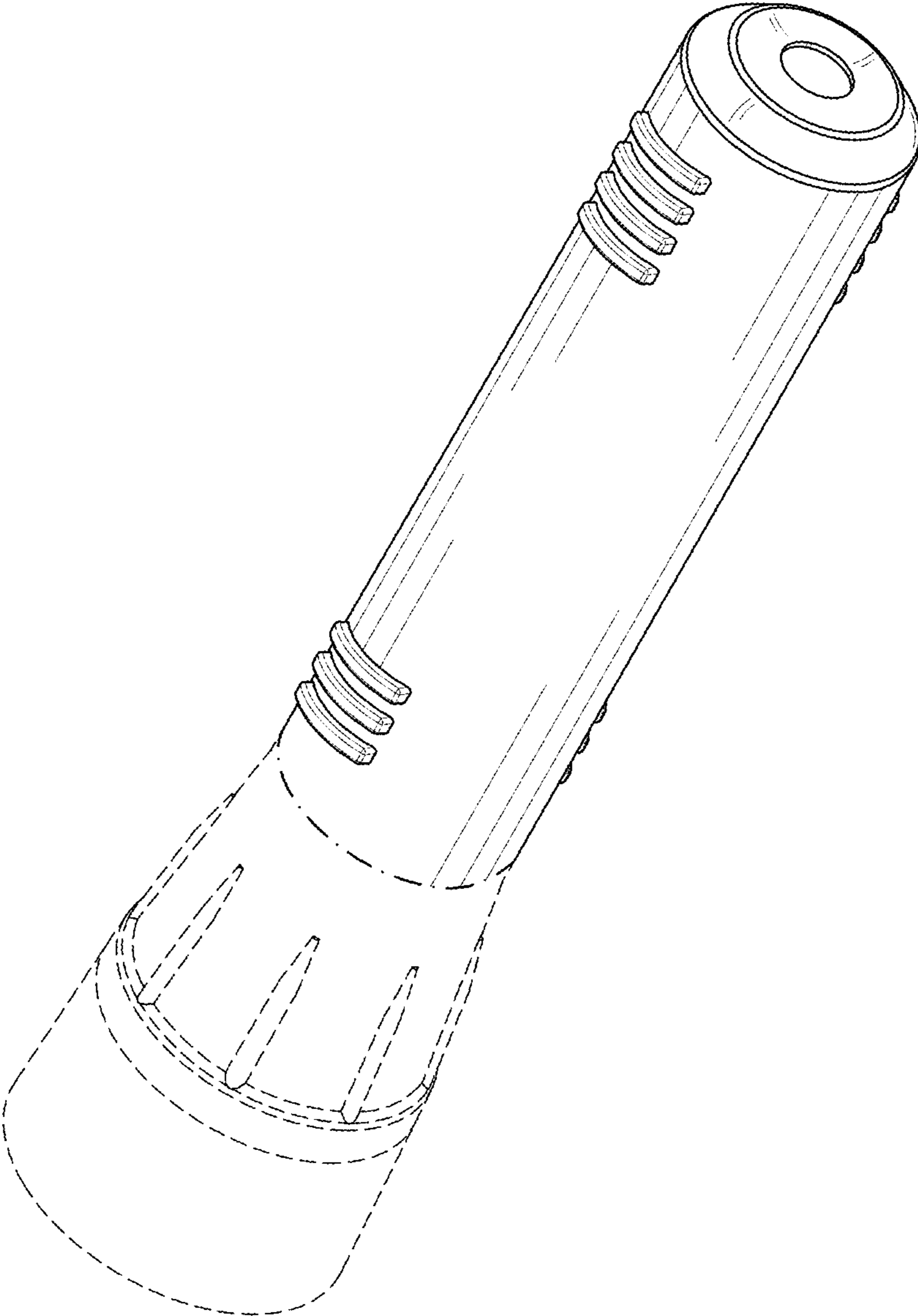


FIG. 1

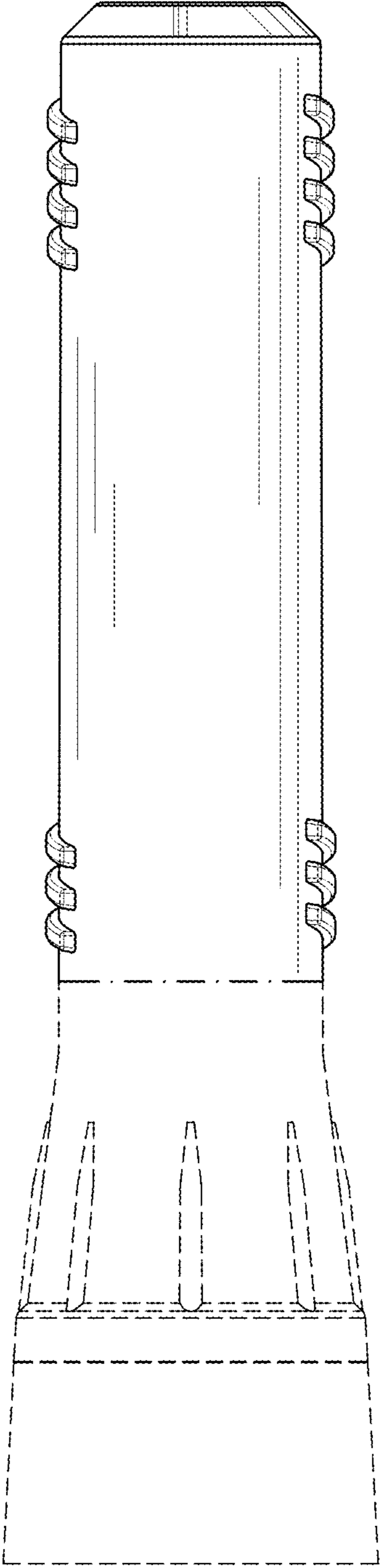


FIG. 2

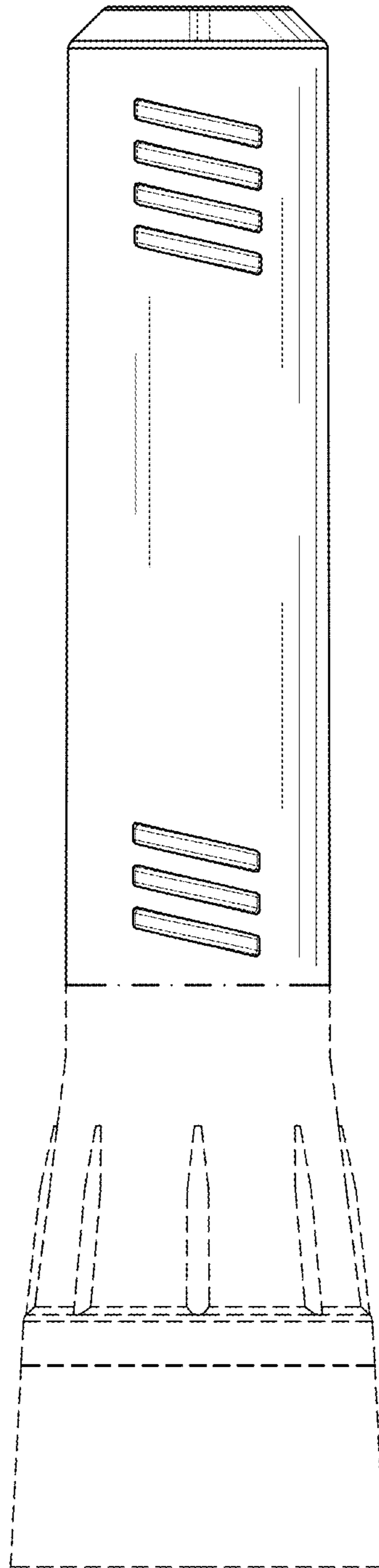


FIG. 3

FIG. 4

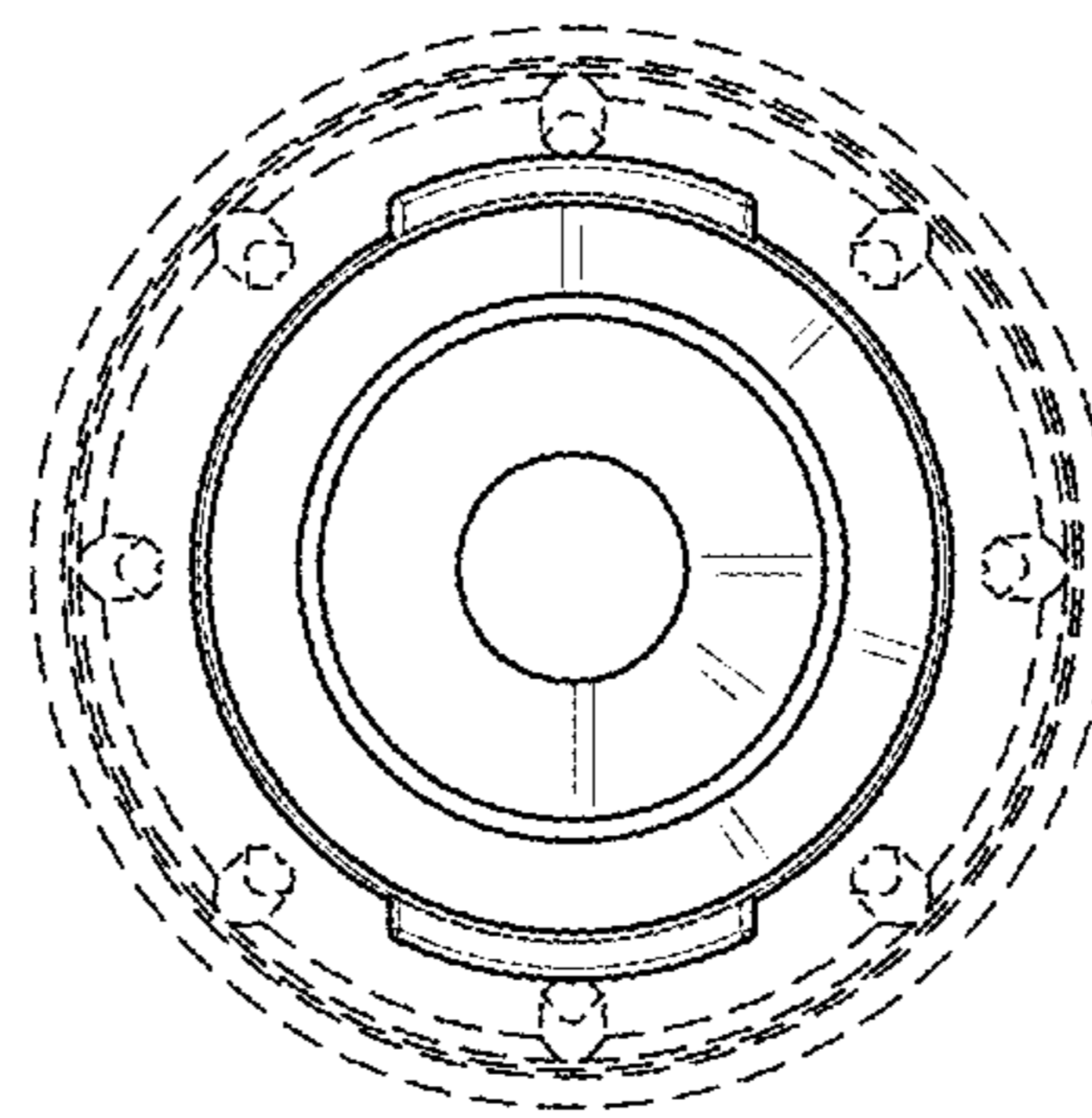
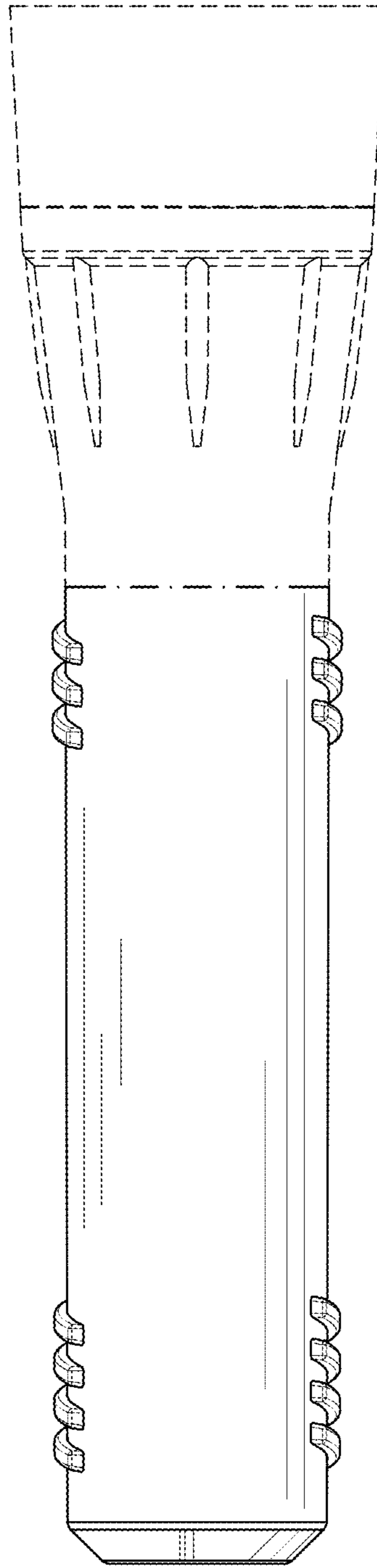


FIG. 5



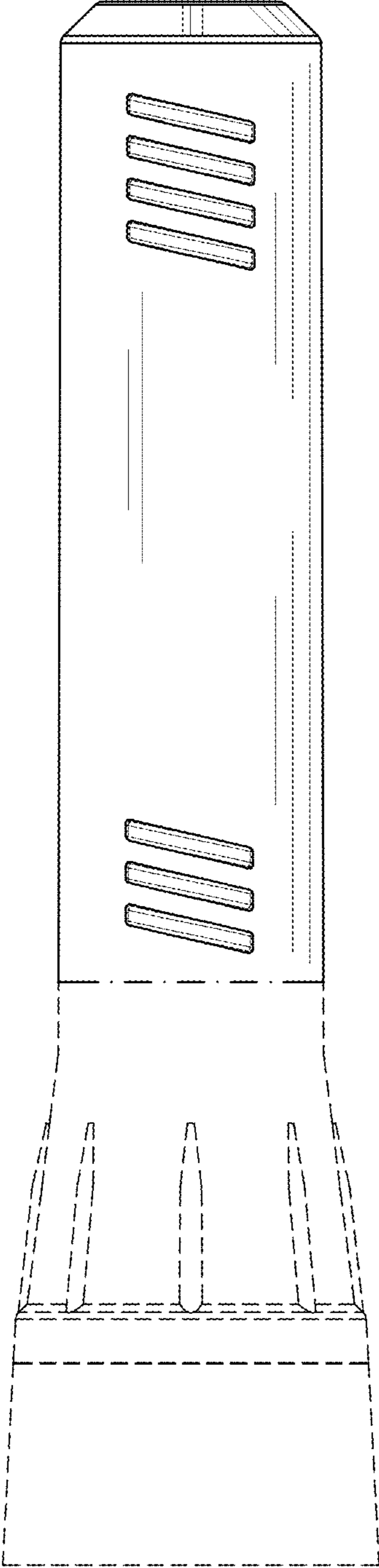


FIG. 6