



US00D901563S

(12) **United States Design Patent**
Cogliati et al.

(10) **Patent No.:** **US D901,563 S**

(45) **Date of Patent:** **** Nov. 10, 2020**

(54) **CONTROLLER HOUSING FOR A WELL MANAGEMENT SYSTEM**

2014/0352955 A1* 12/2014 Tubel E21B 43/12
166/250.15

* cited by examiner

(71) Applicant: **Worthington Industries, Inc.**,
Columbus, OH (US)

Primary Examiner — Patricia A Palasik

(72) Inventors: **Michael Cogliati**, Boonton, NJ (US);
Jeffrey Neto, Cumberland, RI (US)

(74) *Attorney, Agent, or Firm* — Tucker Ellis LLP; Carlos Garritano

(73) Assignee: **WORTHINGTON INDUSTRIES, INC.**, Columbus, OH (US)

(57) **CLAIM**

The ornamental design for a controller housing for a well management system, as shown and described.

(**) Term: **15 Years**

DESCRIPTION

(21) Appl. No.: **29/701,837**

FIG. 1 is a top front right perspective view of an embodiment of a controller housing for a well management system showing a new design;

(22) Filed: **Aug. 15, 2019**

FIG. 2 is a top front left perspective view of the controller housing for a well management system illustrated in FIG. 1;

(51) **LOC (12) Cl.** **15-09**

FIG. 3 is a bottom front right perspective view of the controller housing for a well management system illustrated in FIG. 1;

(52) **U.S. Cl.**

USPC **D15/138**

(58) **Field of Classification Search**

USPC 13/162, 162.1; 15/21, 28, 138, 139

CPC E21B 43/12; E21B 2200/22; H04L 47/10

See application file for complete search history.

FIG. 4 is a bottom front left perspective view of the controller housing for a well management system illustrated in FIG. 1;

FIG. 5 is a front view of the controller housing for a well management system illustrated in FIG. 1;

(56) **References Cited**

U.S. PATENT DOCUMENTS

D269,605 S * 7/1983 Provanzano D13/162.1

D365,104 S * 12/1995 Ko D14/218

6,257,332 B1 * 7/2001 Vidrine E21B 43/12
166/250.15

D615,559 S * 5/2010 Stimpson D15/7

D712,217 S * 9/2014 Kawase D8/8

D849,071 S * 5/2019 Koop D15/138

D893,568 S * 8/2020 Pappas D15/138

2009/0308656 A1 * 12/2009 Chitwood E21B 4/04
175/40

2011/0036560 A1 * 2/2011 Vail, III E21B 28/00
166/87.1

FIG. 6 is a rear view of the controller housing for a well management system illustrated in FIG. 1;

FIG. 7 is a right side view of the controller housing for a well management system illustrated in FIG. 1;

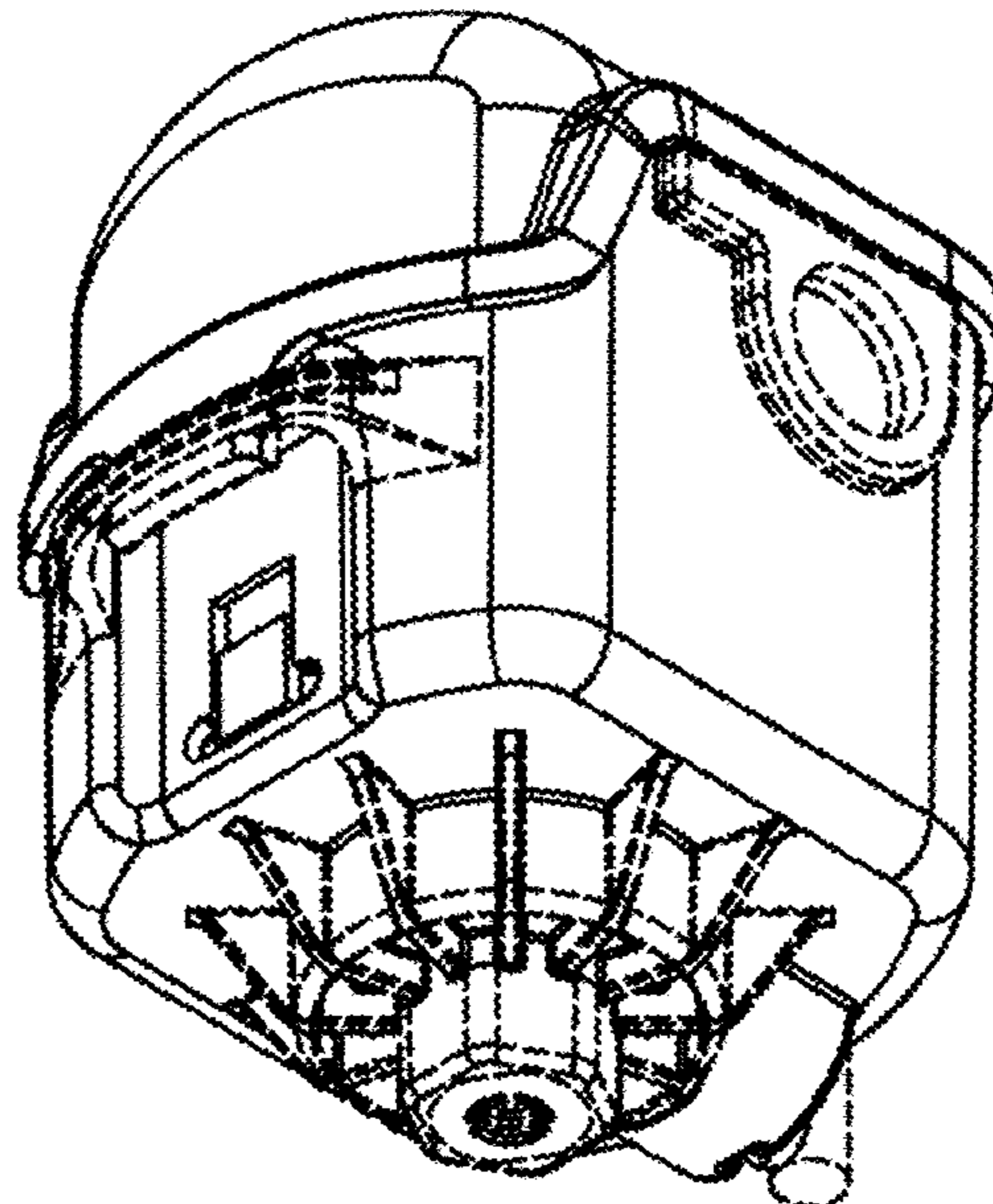
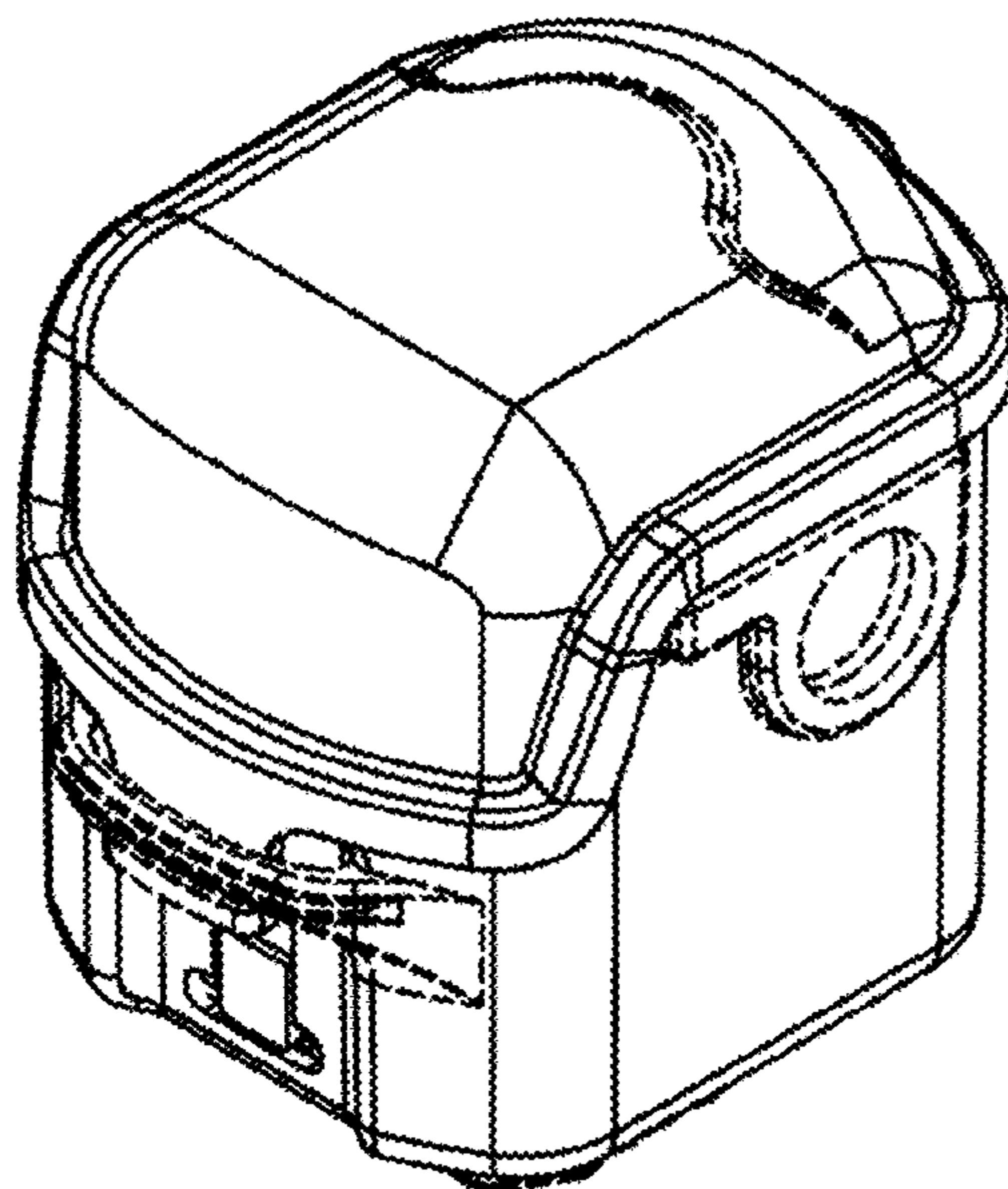
FIG. 8 is a left side view of the controller housing for a well management system illustrated in FIG. 1;

FIG. 9 is a top view of the controller housing for a well management system illustrated in FIGS. 1; and,

FIG. 10 is a bottom view of the controller housing for a well management system illustrated in FIG. 1.

The broken lines show portions of the design that form no part of the claimed design.

1 Claim, 5 Drawing Sheets



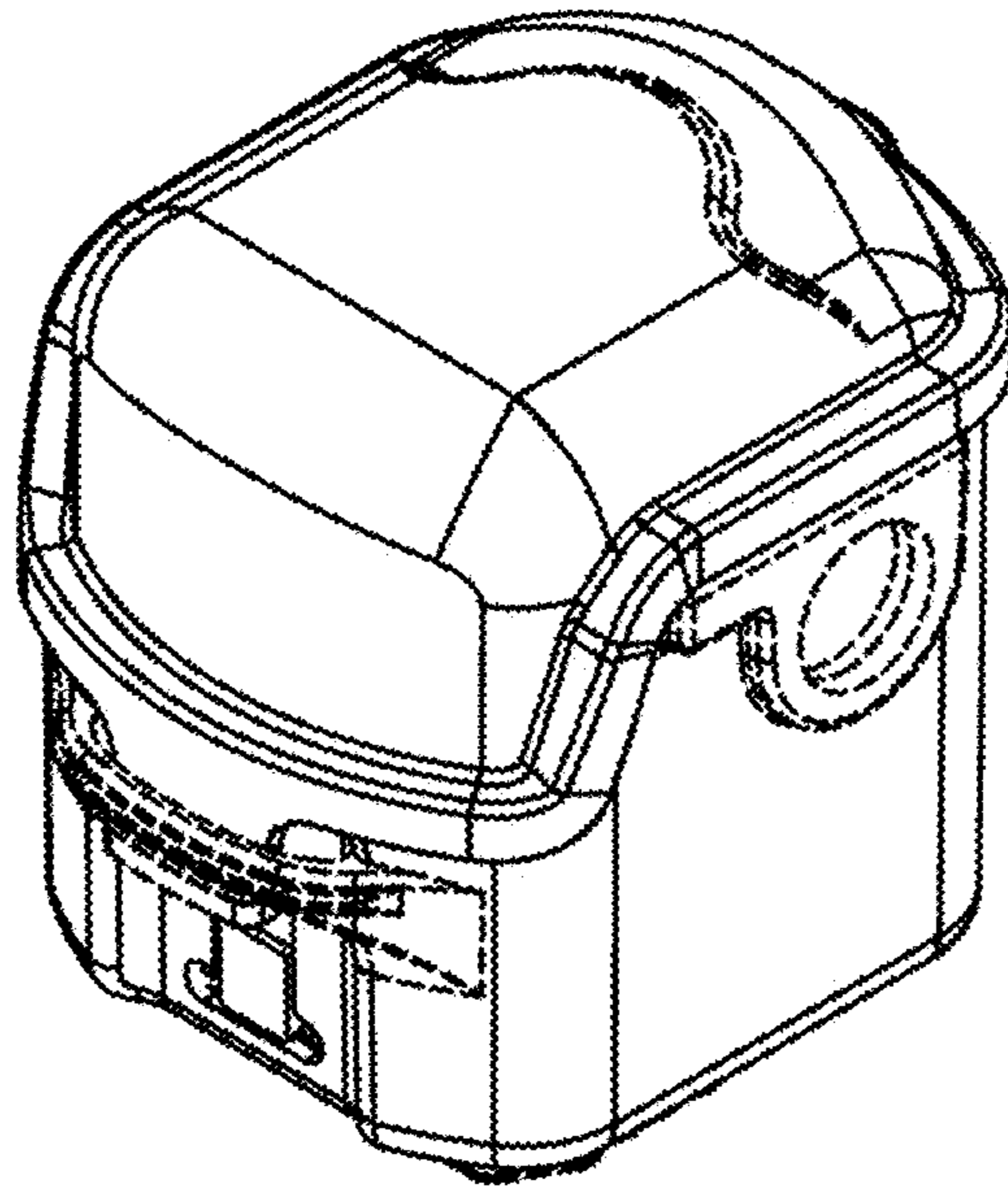


FIG. 1

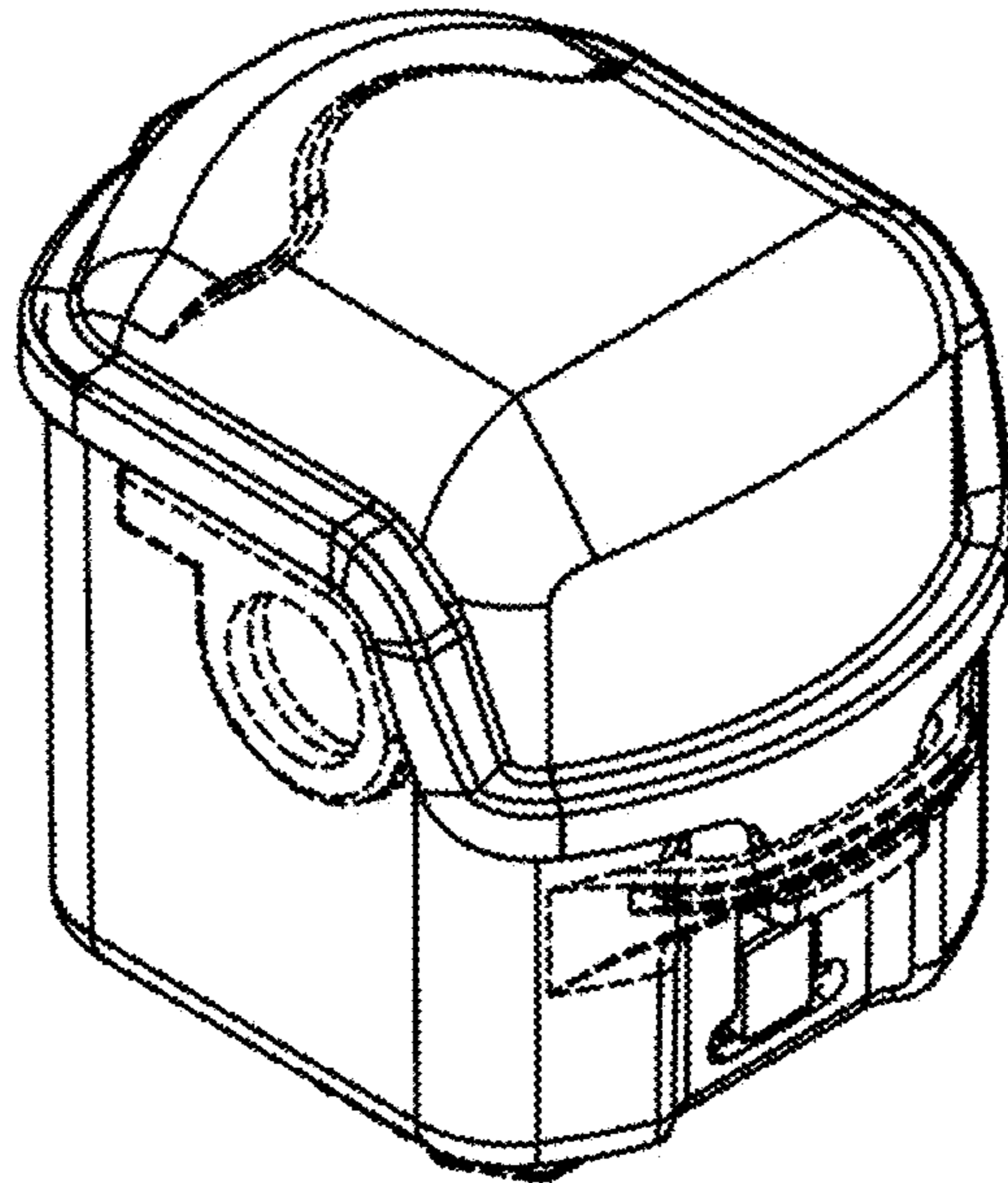


FIG. 2

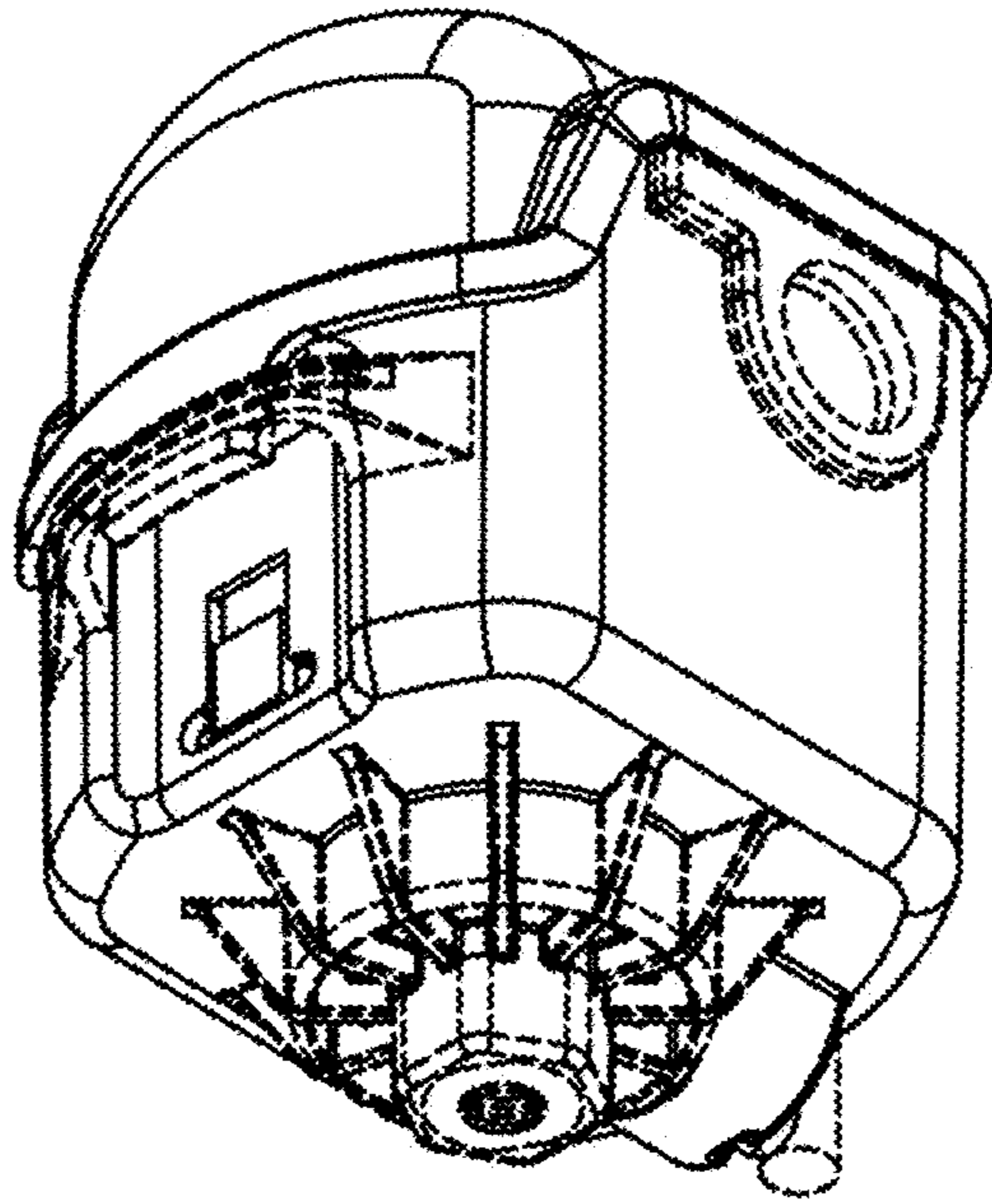


FIG. 3

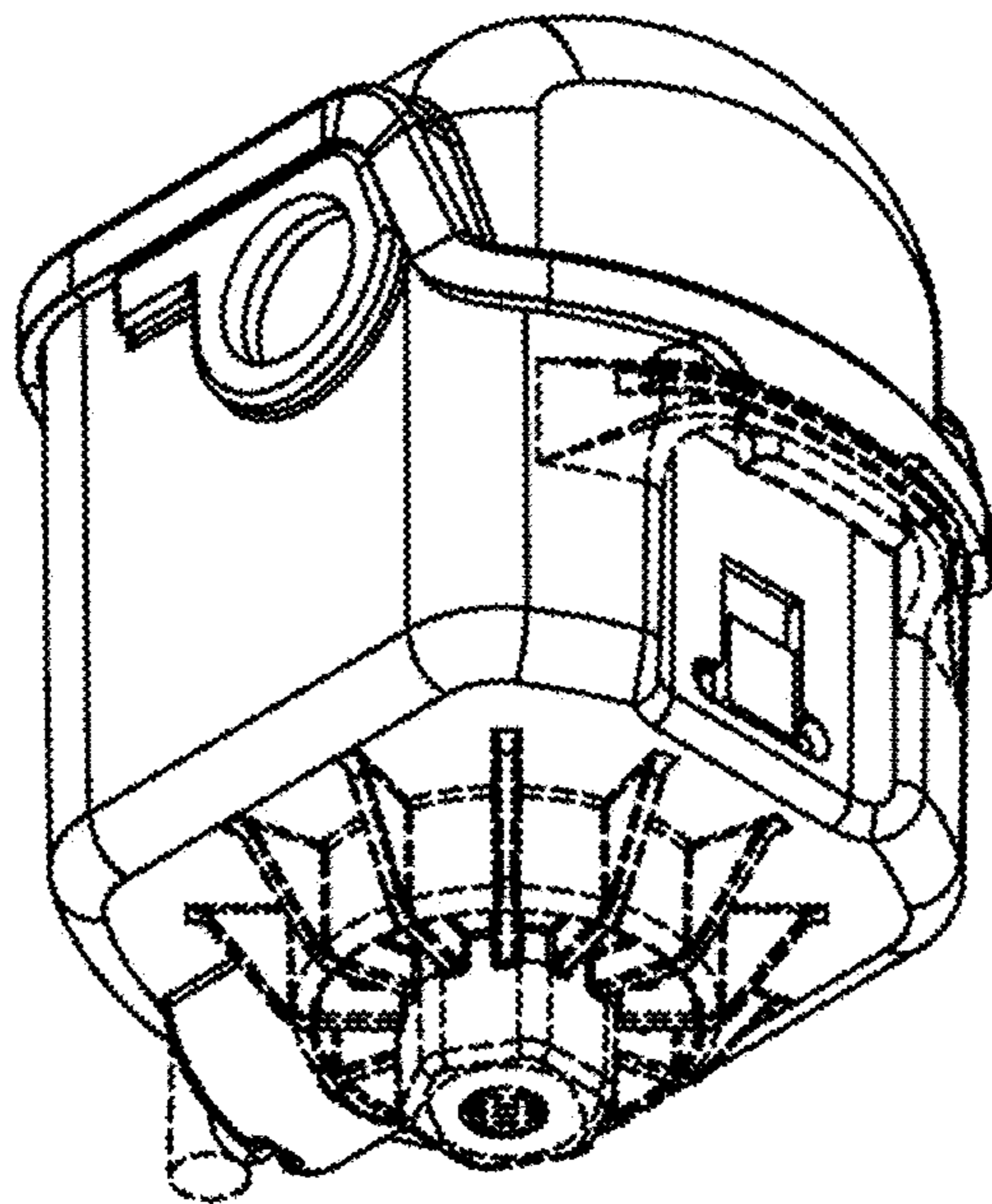


FIG. 4

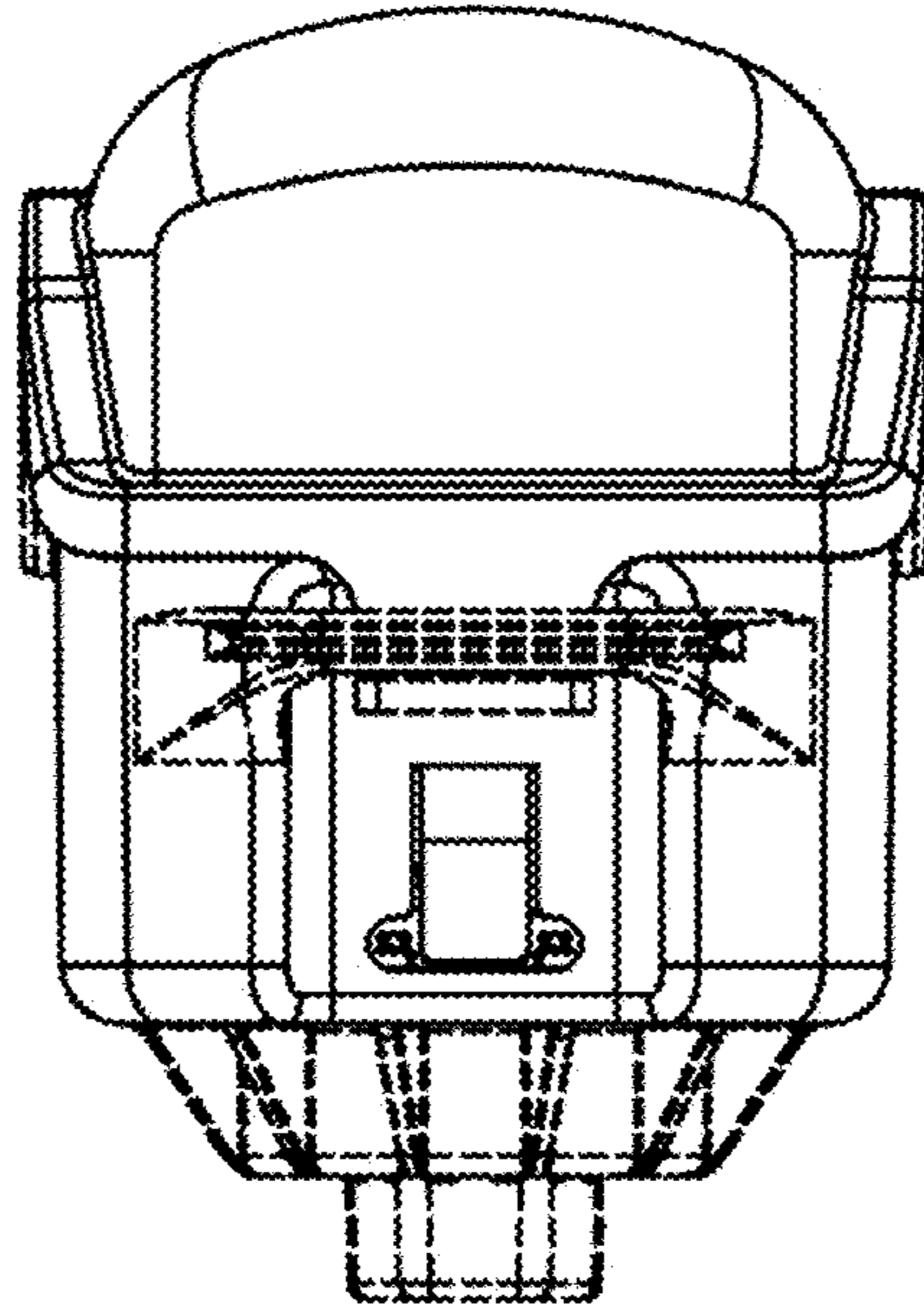


FIG. 5

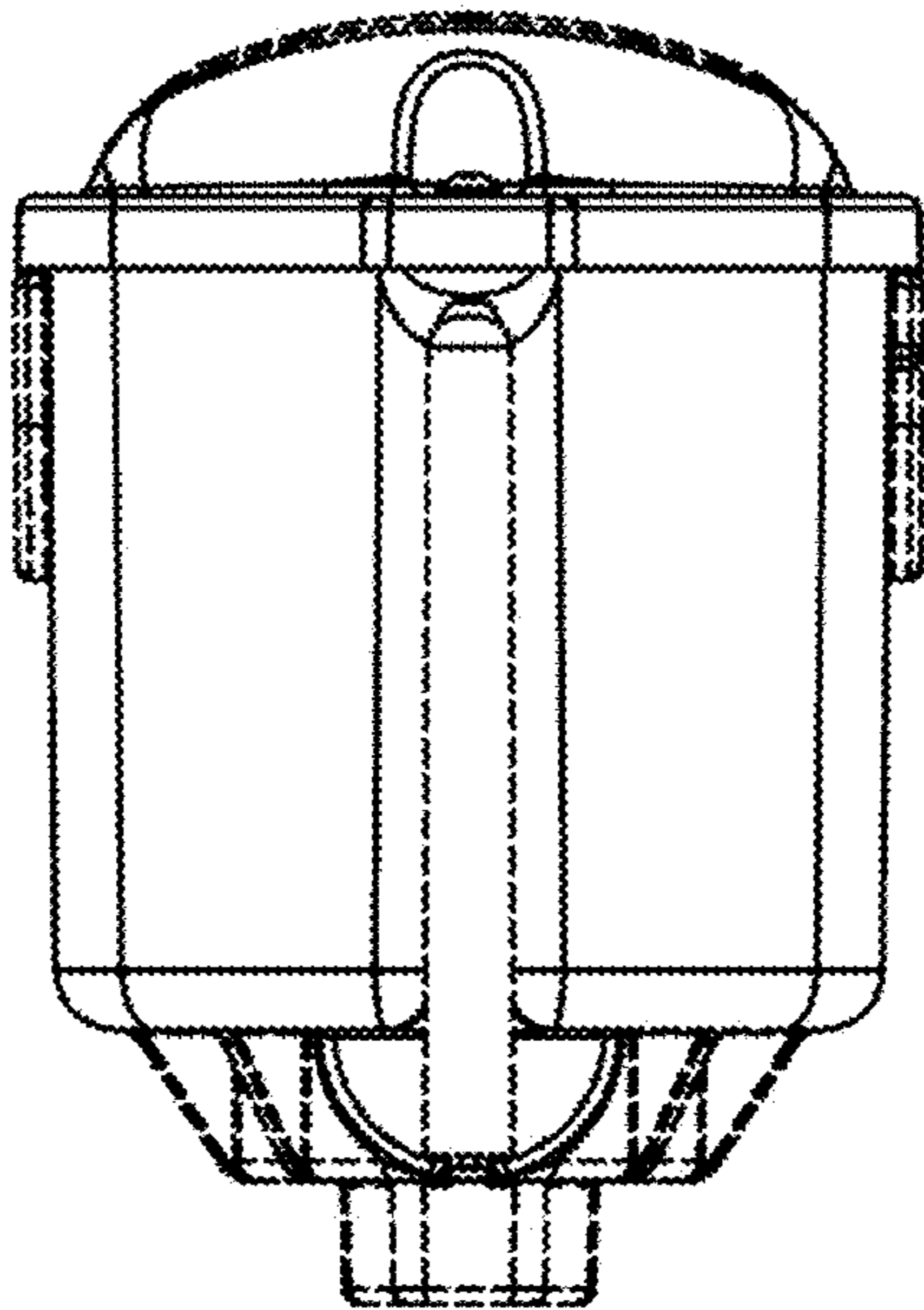


FIG. 6

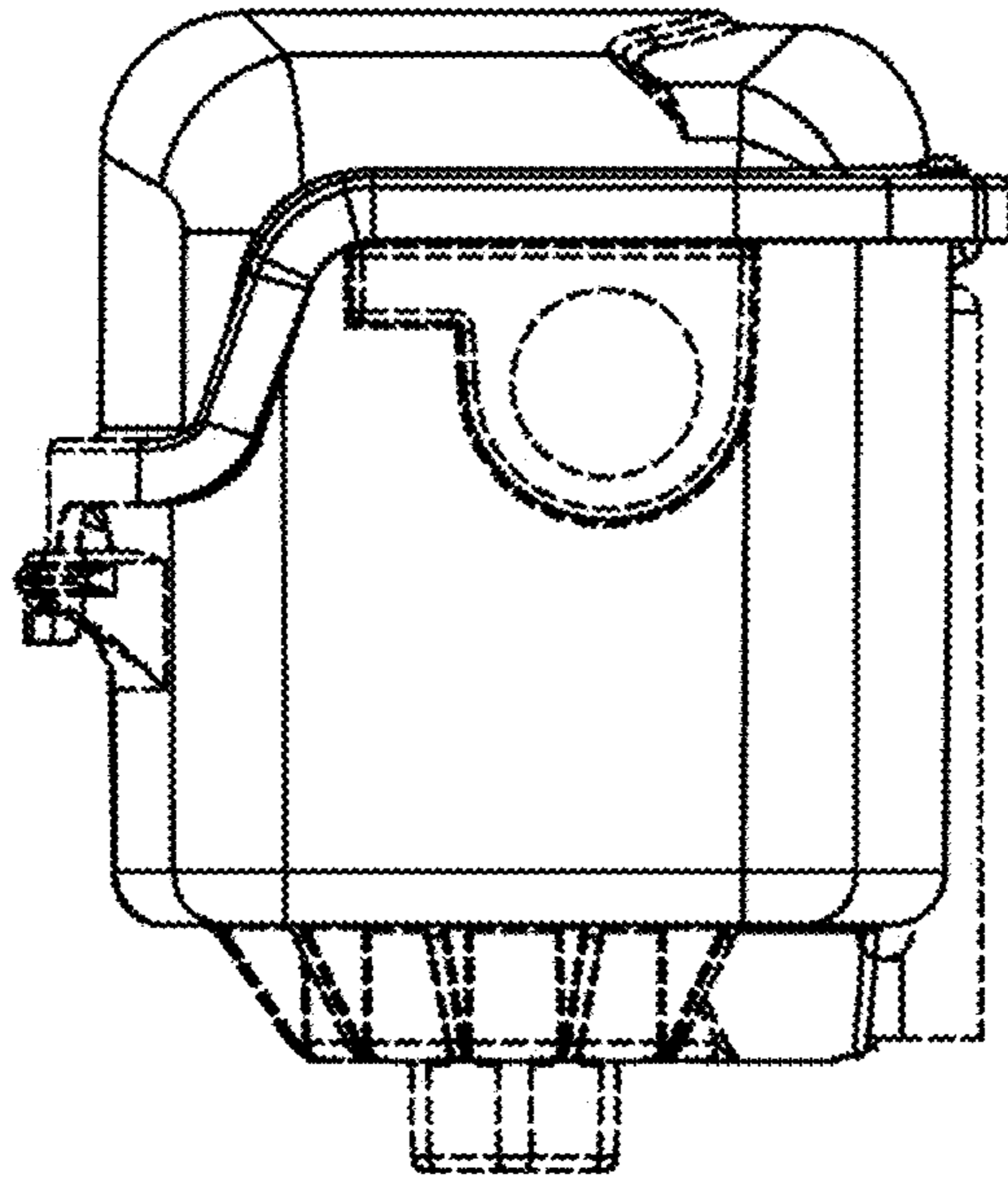


FIG. 7

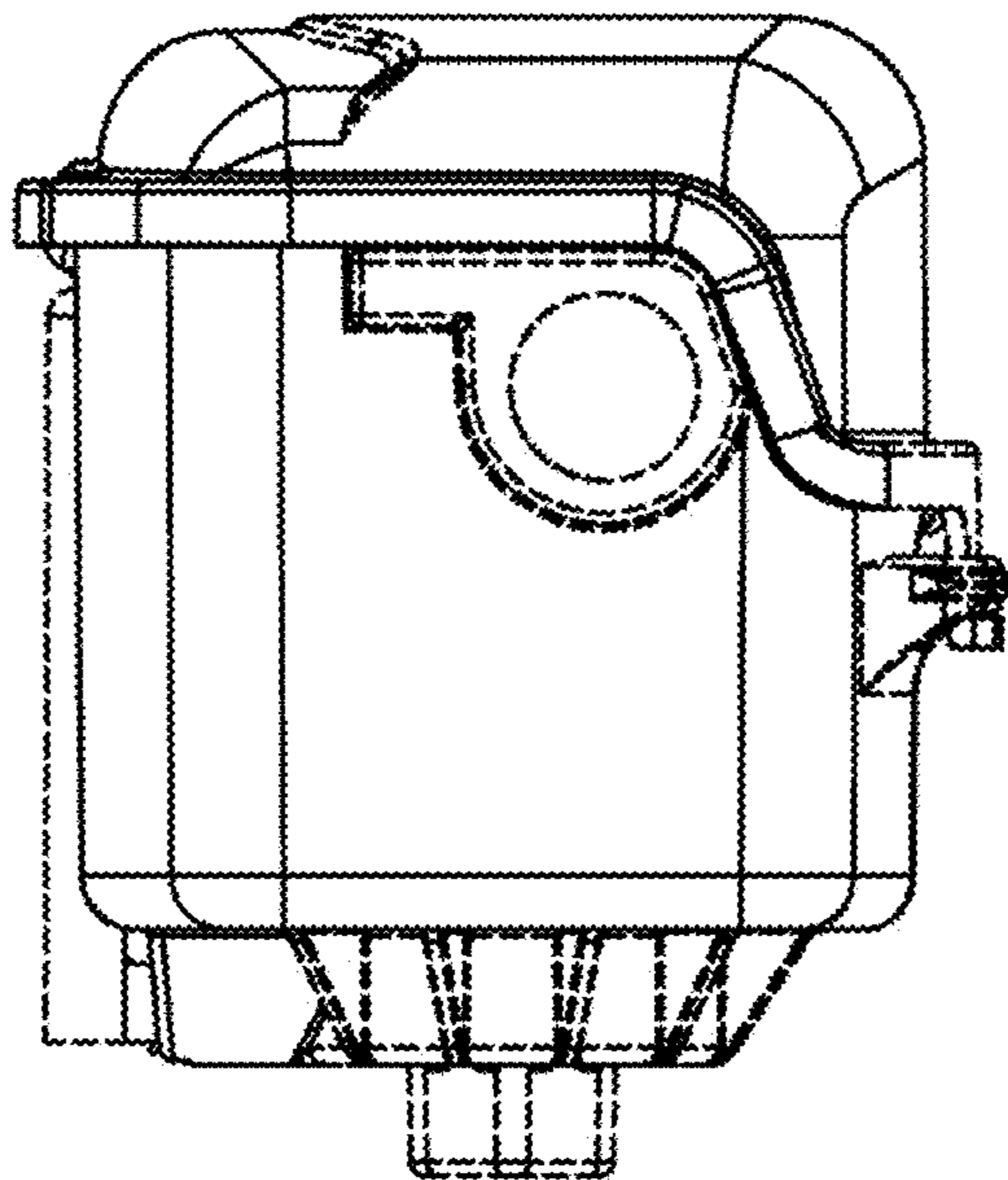


FIG. 8

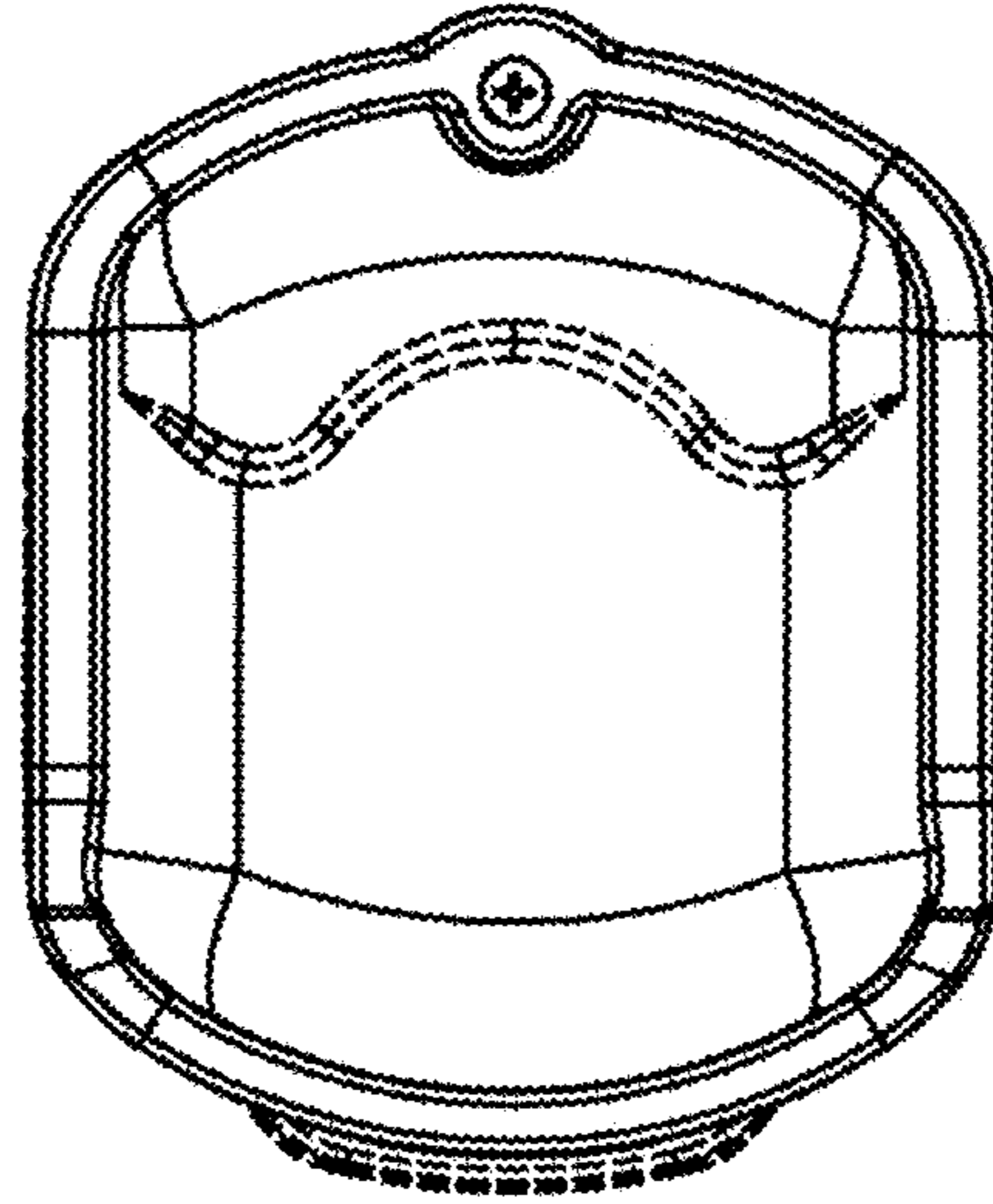


FIG. 9

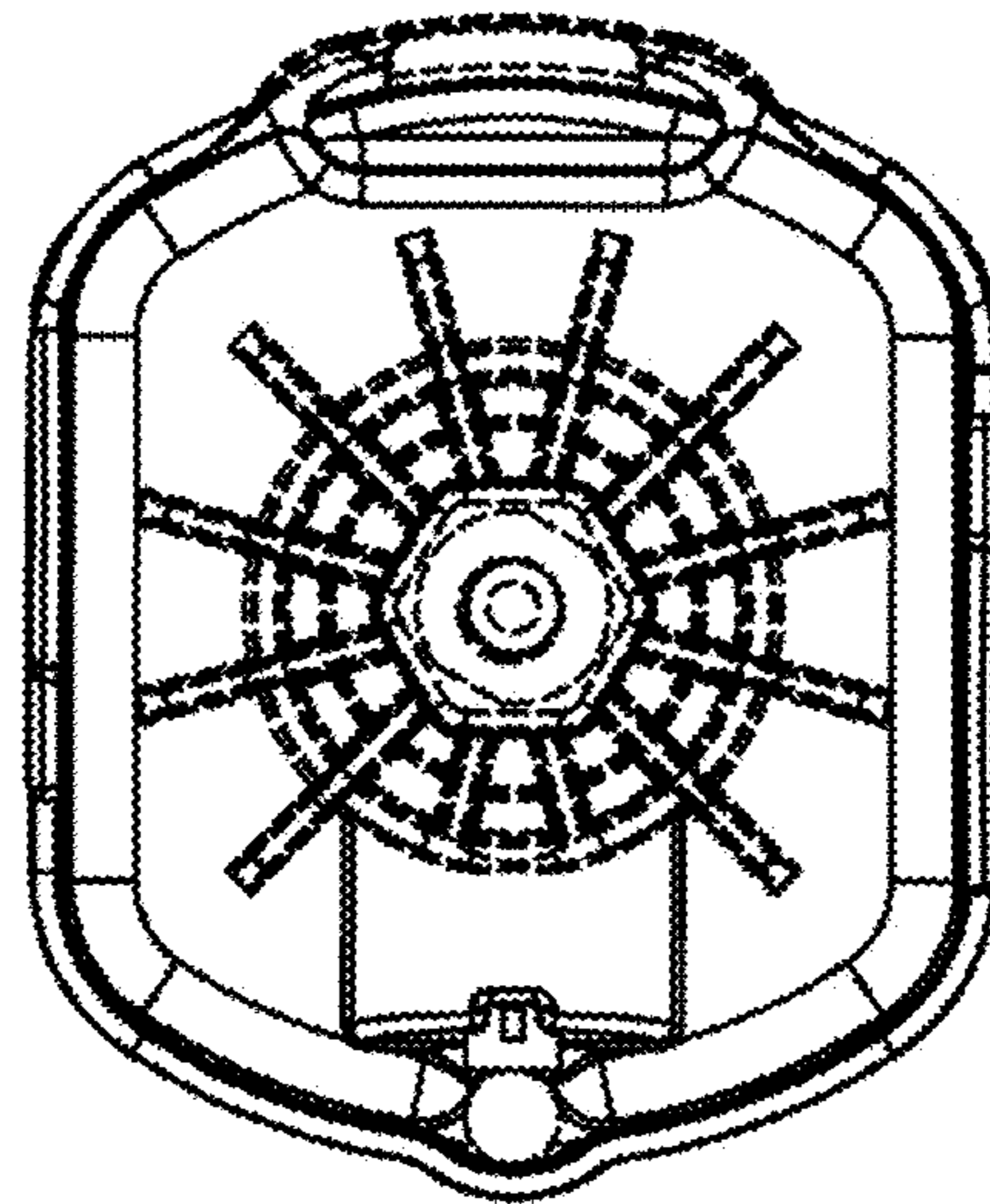


FIG. 10