



US00D901562S

(12) **United States Design Patent** (10) **Patent No.:** **US D901,562 S**
Zhao et al. (45) **Date of Patent:** **** Nov. 10, 2020**

(54) **MACHINING SAMPLE MODEL FOR MACHINE TOOLS**
(71) Applicant: **FANUC CORPORATION**, Yamanashi (JP)
(72) Inventors: **Wei Zhao**, Yamanashi (JP); **Nobuaki Aizawa**, Yamanashi (JP)
(73) Assignee: **FANUC CORPORATION**, Yamanashi (JP)
(**) Term: **15 Years**

D406,851 S *	3/1999	Liin	D15/138
D424,073 S *	5/2000	Sodergard	D15/138
D660,888 S *	5/2012	Piliguian	D15/126
D682,330 S *	5/2013	Reay	D15/147
D688,319 S *	8/2013	Chan	D21/468
D714,368 S *	9/2014	Kmoch	D15/136
D772,961 S *	11/2016	Nodu	D15/136
D772,962 S *	11/2016	Nodu	D15/136
D790,612 S *	6/2017	Haimer	D15/138
D820,671 S *	6/2018	Yu	D8/387
D831,475 S *	10/2018	Sweeney	D8/387
D854,918 S *	7/2019	Fitz	D8/383
D863,049 S *	10/2019	Sweeney	D8/382
D871,473 S *	12/2019	Hatano	D15/199
D871,479 S *	12/2019	Hatano	D15/199

* cited by examiner

(21) Appl. No.: **29/707,131**
(22) Filed: **Sep. 26, 2019**
(30) **Foreign Application Priority Data**
Mar. 29, 2019 (JP) 2019-006845
(51) **LOC (12) Cl.** **15-09**
(52) **U.S. Cl.**
USPC **D15/136**
(58) **Field of Classification Search**
USPC D8/90, 387, 388, 391, 393, 397;
D15/124, 126, 135, 136, 138, 143
CPC G05B 2219/35134; G05B 2219/35193;
G06F 2217/12; Y02P 90/265
See application file for complete search history.

Primary Examiner — Michael C Stout
Assistant Examiner — Fritzgerald L Butac
(74) *Attorney, Agent, or Firm* — Banner & Witcoff, Ltd.

(57) **CLAIM**

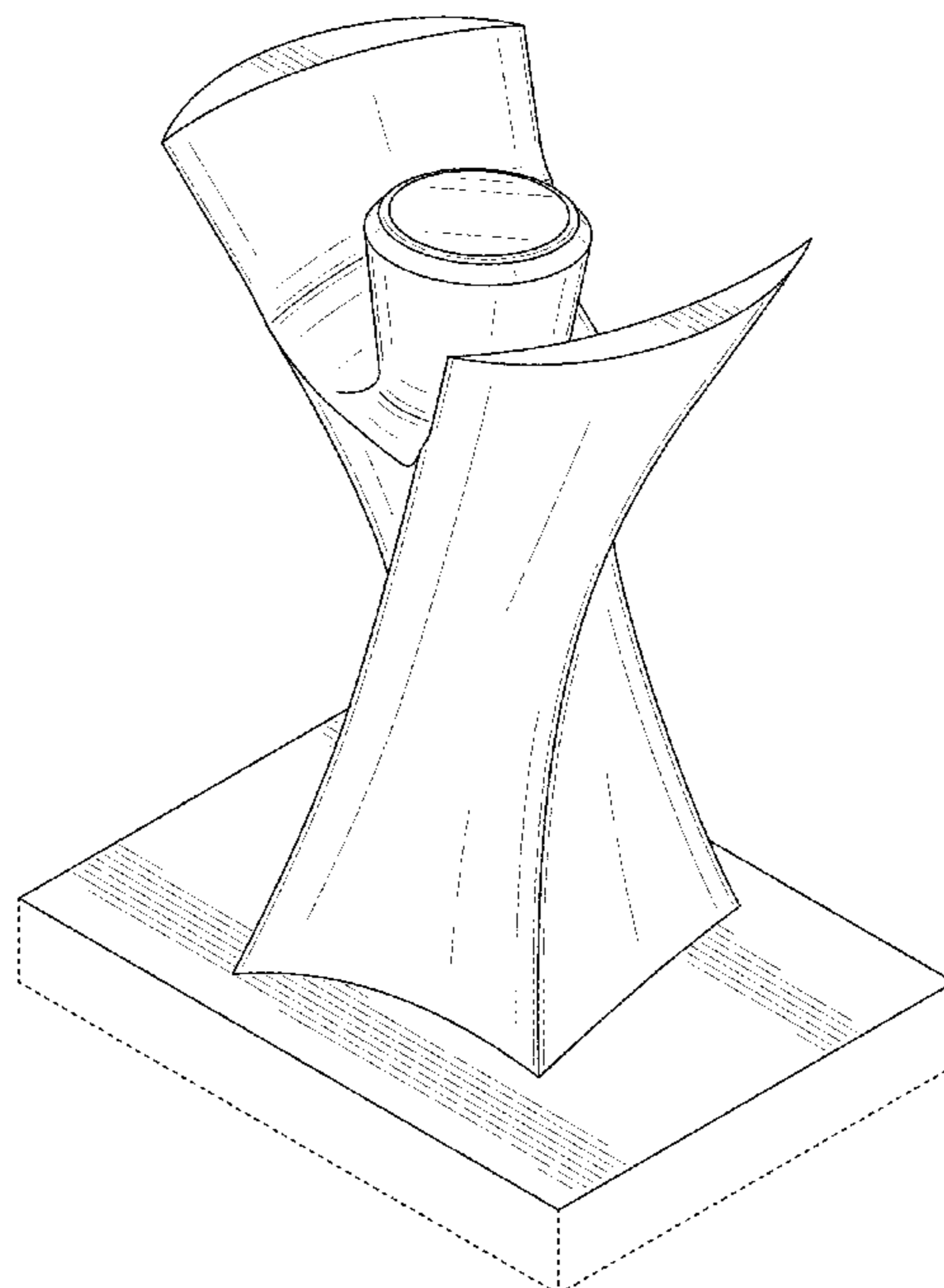
The ornamental design for a machining sample model for machine tools, as shown and described.

DESCRIPTION

FIG. 1 is a front perspective view of a machining sample model for machine tools showing our new design;
FIG. 2 is a rear perspective view thereof,
FIG. 3 is a front view thereof;
FIG. 4 is a top plan view thereof;
FIG. 5 is a rear view thereof;
FIG. 6 is a right side view thereof; and,
FIG. 7 is a left side view thereof.
The broken lines show portions of a machining sample model for machine tools which form no part of the claimed design.

(56) **References Cited**
U.S. PATENT DOCUMENTS
D186,408 S * 10/1959 Schramm D10/103
D204,019 S * 3/1966 Adams D15/138
D324,225 S * 2/1992 Speer D15/136
D356,320 S * 3/1995 Catalanotti D15/135

1 Claim, 7 Drawing Sheets



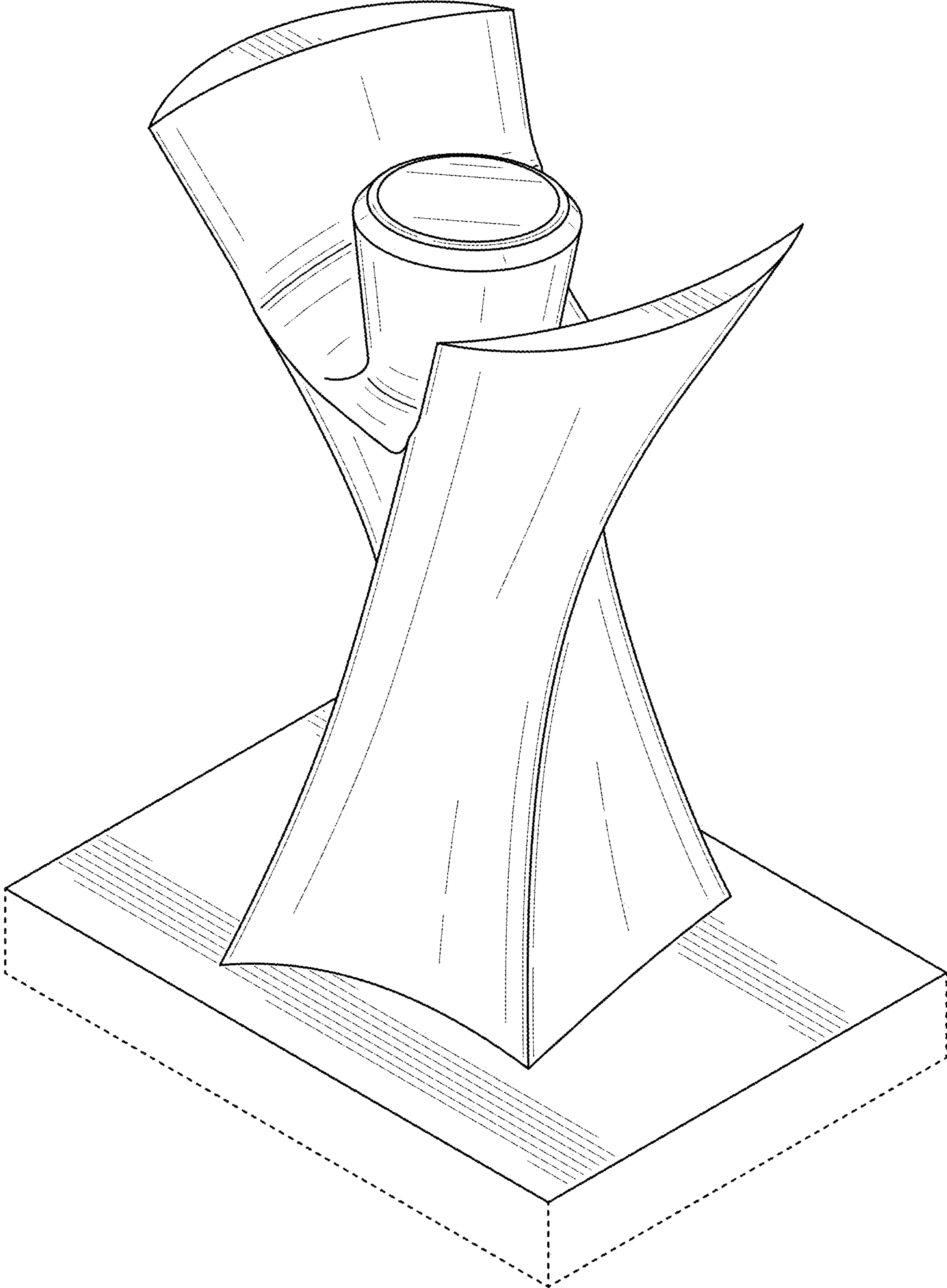


FIG. 1

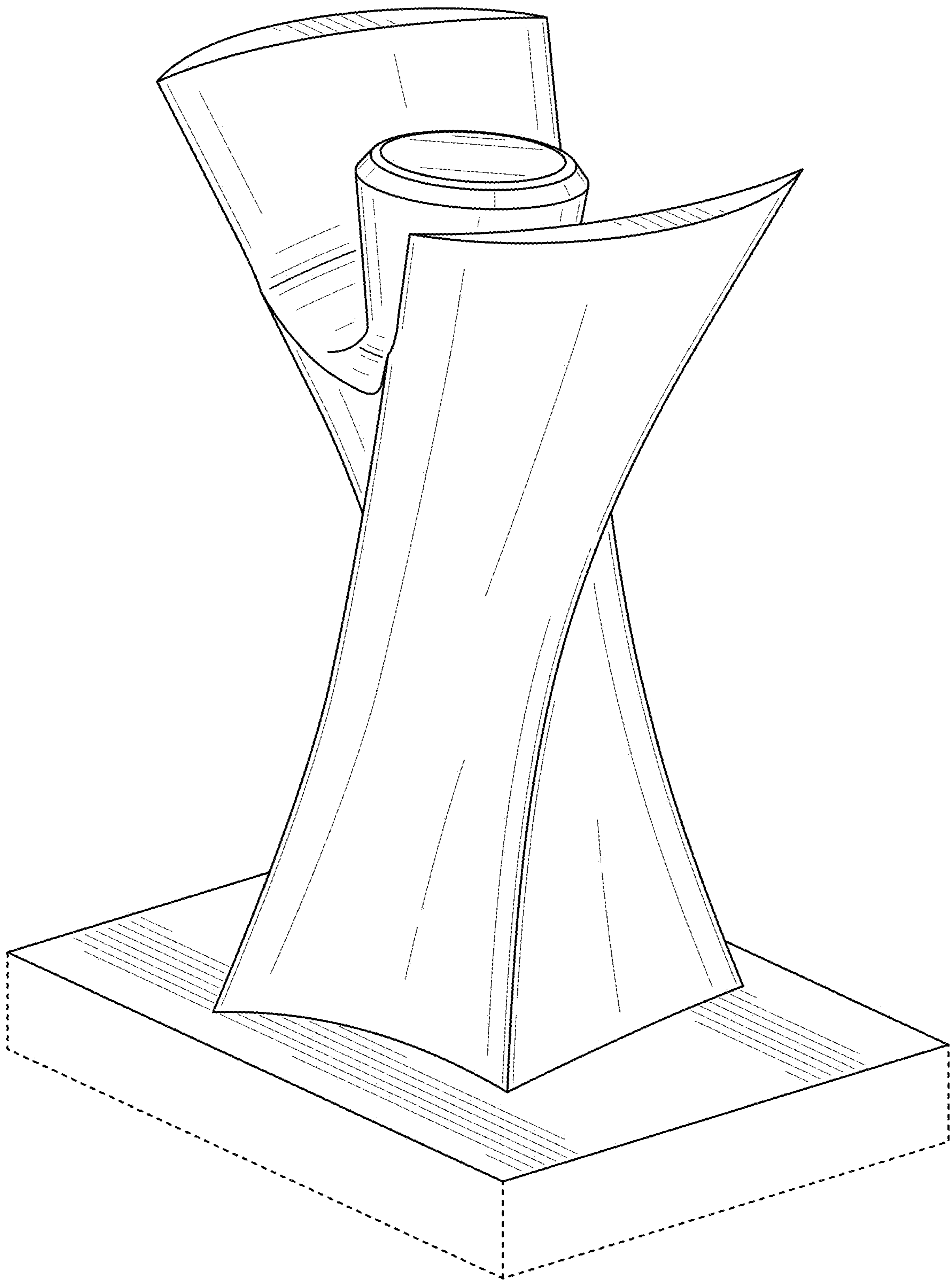


FIG. 2



FIG. 3

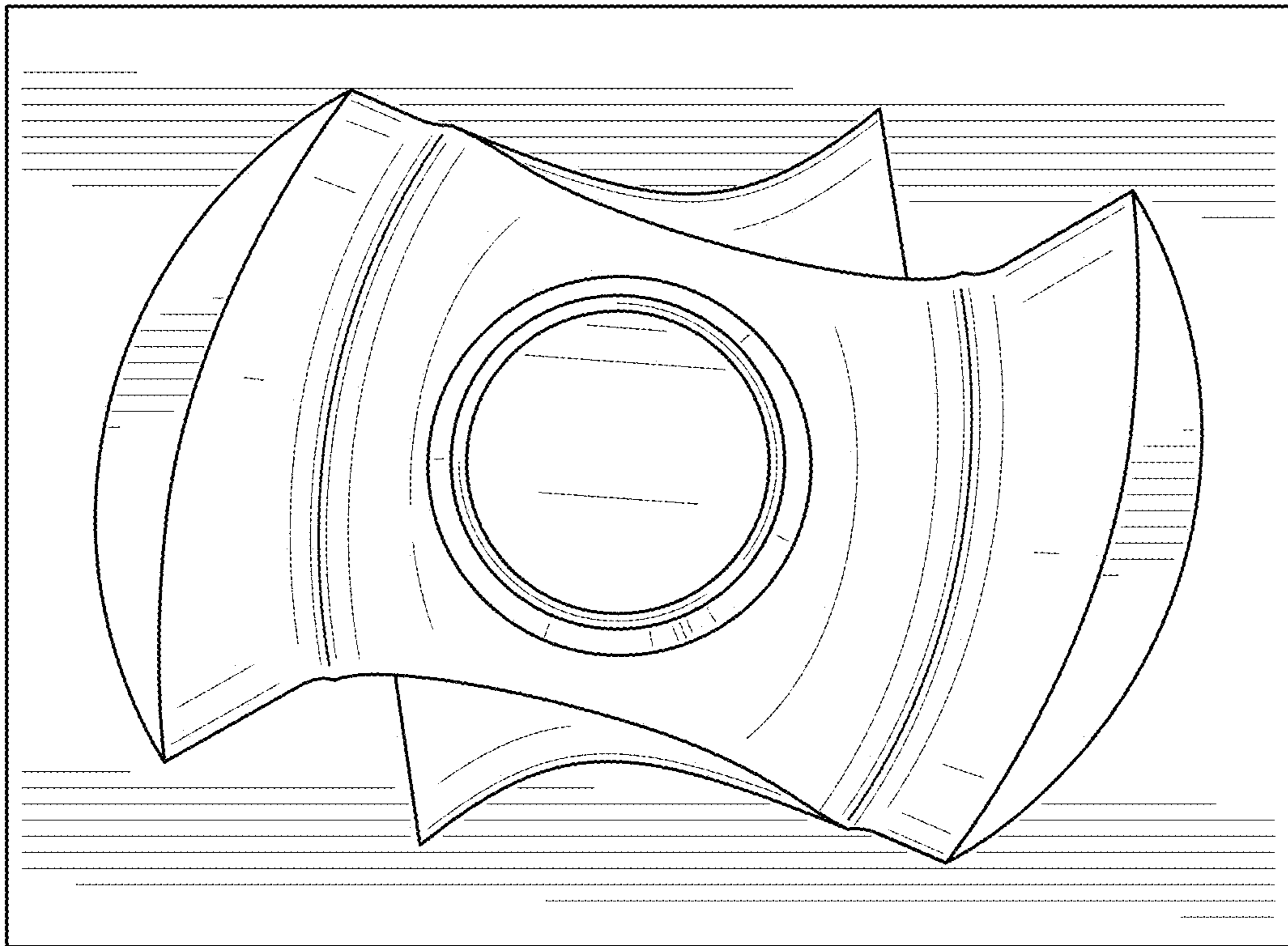


FIG. 4

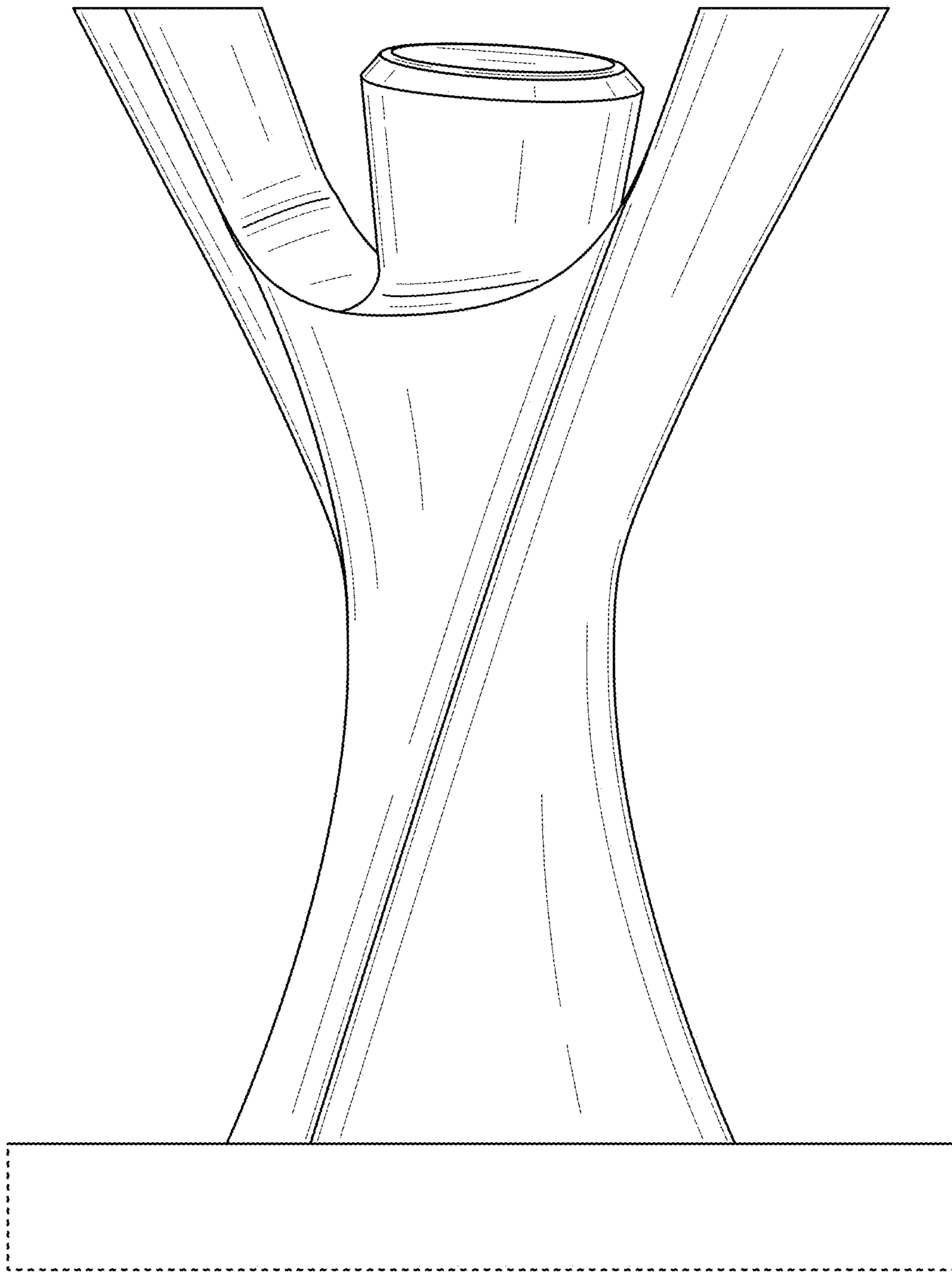


FIG. 5

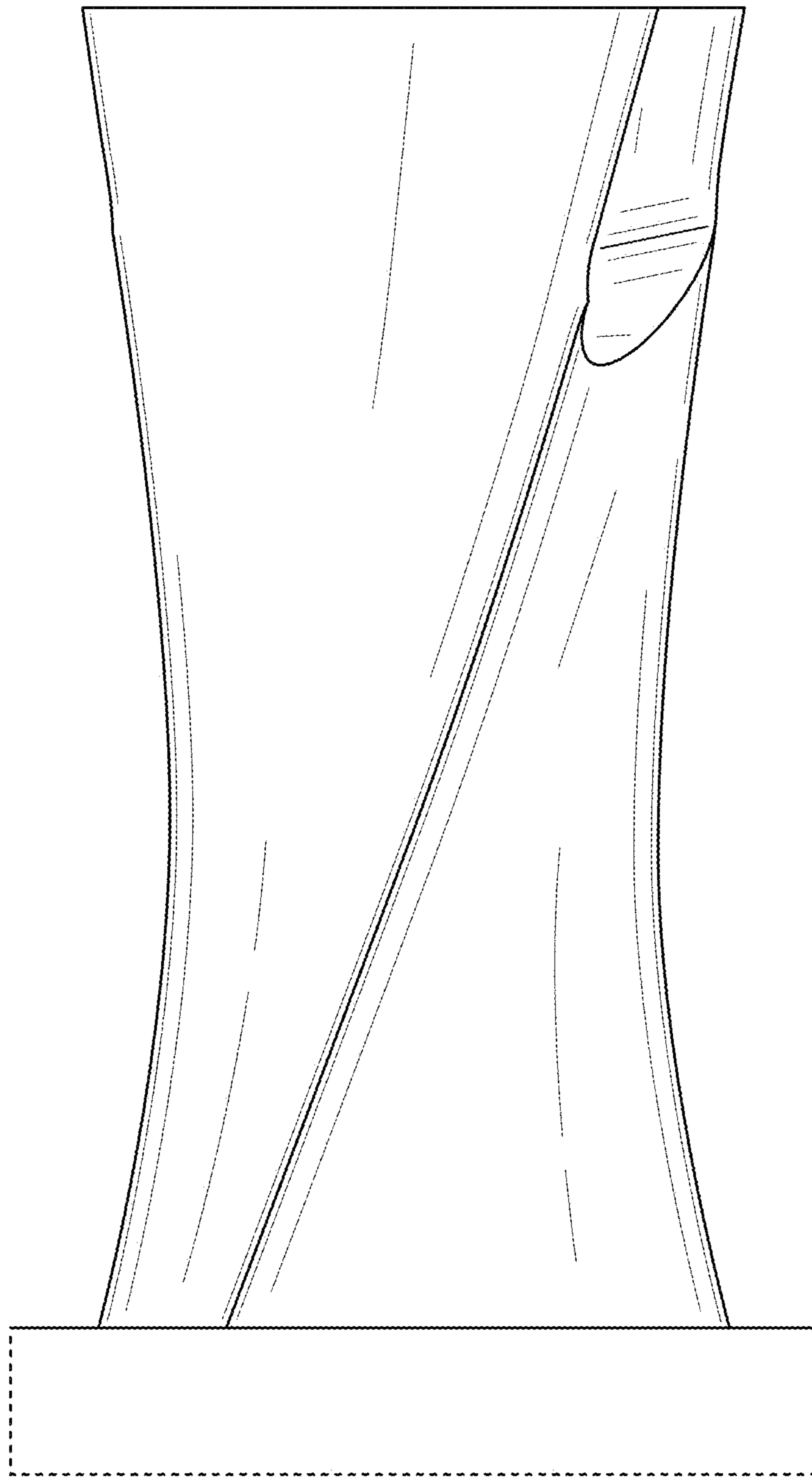


FIG. 6

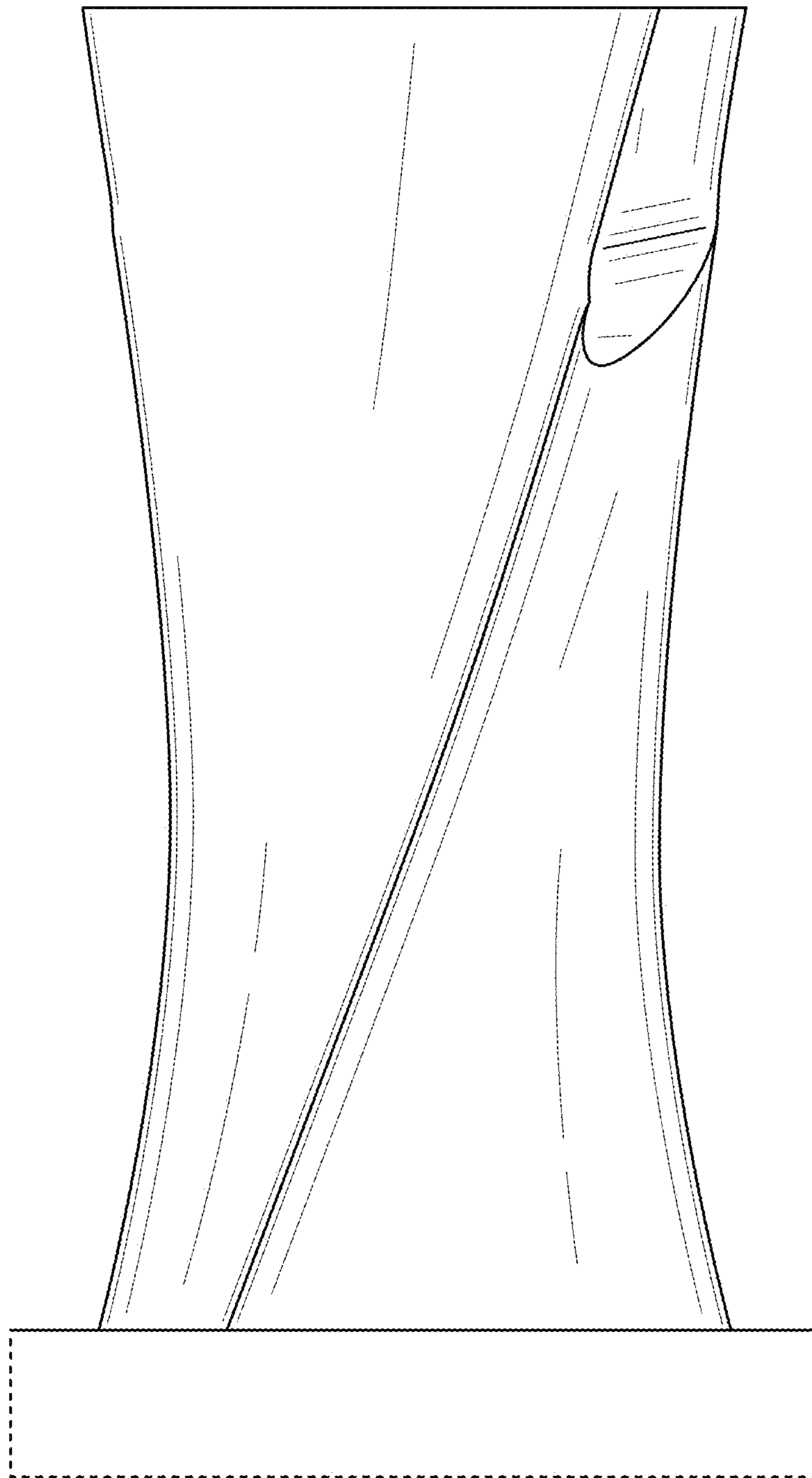


FIG. 7