



US00D901561S

(12) **United States Design Patent** (10) **Patent No.:** **US D901,561 S**
Oliver Gonzalez et al. (45) **Date of Patent:** **** Nov. 10, 2020**

(54) **3D PRINTING POST PROCESSING STATION**

FOREIGN PATENT DOCUMENTS

(71) Applicant: **Hewlett-Packard Development Company, L.P.**, Spring, TX (US)

CN 304494345 * 2/2018
CN 305553115 * 1/2020
KR 300945246.0000 * 2/2018

(72) Inventors: **Andreu Oliver Gonzalez**, Barcelona (ES); **Marti Cot Ponti**, Barcelona (ES); **Javier Alfonso Cesar Brito**, Barcelona (ES)

OTHER PUBLICATIONS

SourceGraphics. Link: <https://sourcegraphics.com/3d/printers/hp/jet-fusion-5200/> Visited Feb. 25, 2020. HP Jet Fusion 5200. (Year: 2020).*

(73) Assignee: **Hewlett-Packard Development Company, L.P.**, Spring, TX (US)

(Continued)

(**) Term: **15 Years**

Primary Examiner — Lauren D McVey

(21) Appl. No.: **29/686,904**

(74) *Attorney, Agent, or Firm* — HP Inc. Patent Department

(22) Filed: **Apr. 9, 2019**

(51) **LOC (12) Cl.** **15-09**

(52) **U.S. Cl.**
USPC **D15/122**

(57) **CLAIM**

(58) **Field of Classification Search**

USPC D15/122, 135, 138, 141; D18/14, 19, 50, D18/54, 54.1, 55, 59

We claim the ornamental design for a 3D printing post processing station, as shown and described.

CPC B22F 3/105; B22F 3/008; B29C 35/00; B29C 35/02; B29C 35/04; B29C 35/06; B29C 35/08; B29C 35/10; B29C 35/12; B29C 35/14; B29C 35/16; B29C 35/18; B29C 37/00; B29C 37/02; B29C 37/04; B29C 67/00; B29C 67/02; B29C 67/04; B29C 67/06; B29C 67/08; B29C 67/20; B29C 67/24; B29C 69/00; B29C 69/02; B29C 70/00; B29C 70/02; B29C 70/04; B29C 70/06; B29C 70/08; B29C 70/10; B29C 70/12; B29C 70/14; B29C 70/16; B29C 70/18; B29C 70/20; B29C 70/22;

DESCRIPTION

FIG. 1 is a front right perspective view of a 3D printing post processing station;
FIG. 2 is front left perspective view thereof;
FIG. 3 is a front view thereof;
FIG. 4 is a rear view thereof;
FIG. 5 is a right side view thereof;
FIG. 6 is a right side view of FIG. 1, with broken line subject matter omitted;
FIG. 7 is a left side view of FIG. 1;
FIG. 8 is a top view thereof; and,
FIG. 9 is a bottom view thereof.

The broken lines immediately adjacent to the shaded areas and define unshaded regions depict the bounds of the claimed design, while all other broken lines are directed to environment. The broken lines form no part of the claimed design.

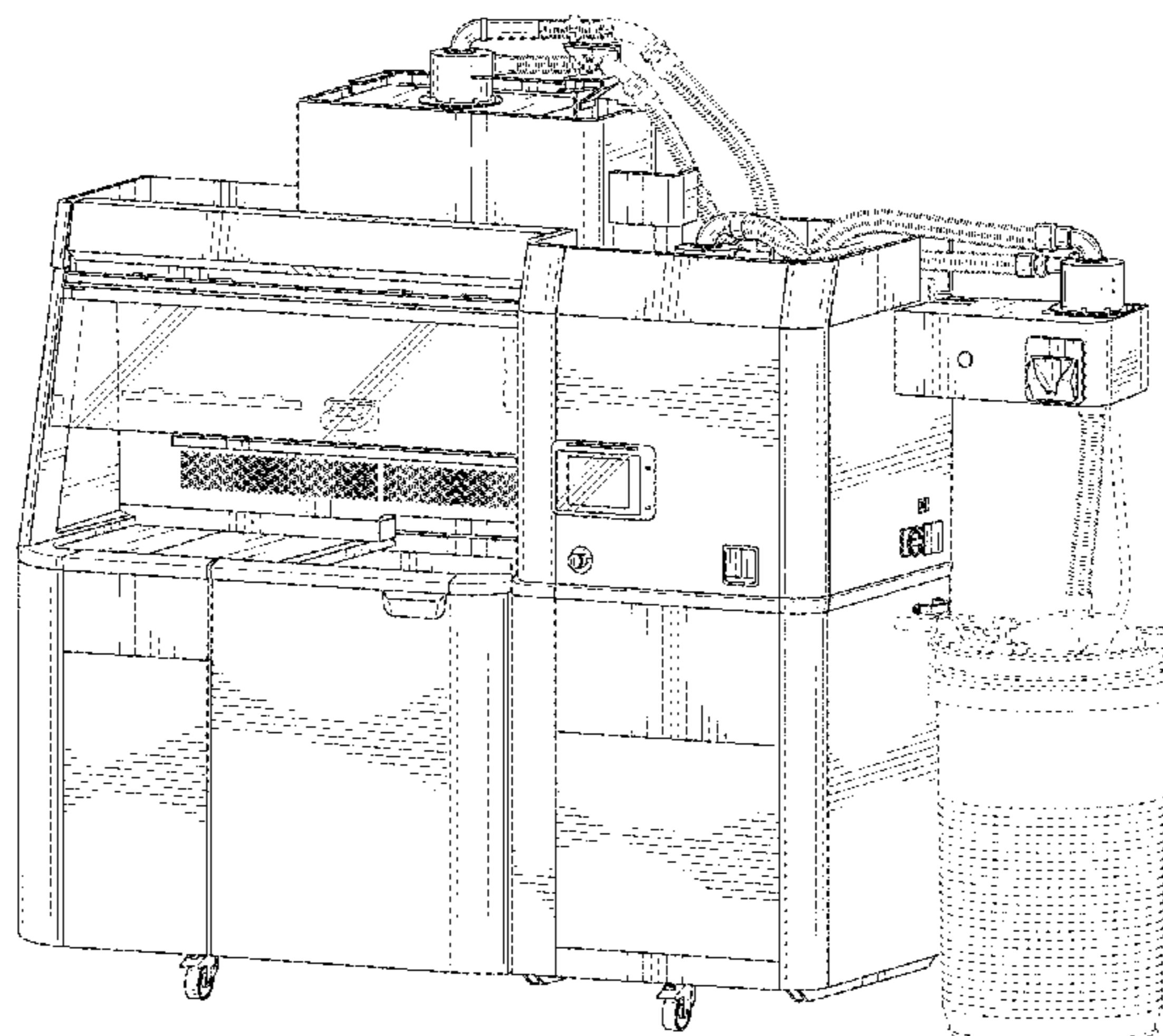
(56) **References Cited**

U.S. PATENT DOCUMENTS

D137,389 S * 2/1944 Spiller D15/129
D199,864 S * 12/1964 Schreckengost Viktor et al.
D18/34.3

(Continued)

1 Claim, 9 Drawing Sheets



(58) **Field of Classification Search**

CPC B29C 70/24; B29C 70/26; B29C 70/28;
B29C 41/12; B29C 41/36; B29C 67/0081;
B41J 2/155; B41J 2/17513; B41J
2/17556; B41J 2/17596; B41J 2/16552;
B41J 2/16541; B41J 2002/20; B41J
2002/14475; B29K 2995/0021

See application file for complete search history.

D799,569 S * 10/2017 Cesar D15/122
D816,741 S * 5/2018 Nicaise D15/122
D833,032 S * 11/2018 Molinuevo Portal D24/232
2012/0318402 A1* 12/2012 Aguerre B65B 3/04
141/2
2015/0321275 A1* 11/2015 Stolzer B23D 55/043
83/367

OTHER PUBLICATIONS

(56)

References Cited

U.S. PATENT DOCUMENTS

D235,356 S * 6/1975 Faraco, Jr. D24/234
D290,263 S * 6/1987 Shibayama D15/122
D716,966 S * 11/2014 Lizari Illarramendi D24/232
D759,133 S * 6/2016 Kitamura D15/122
D799,568 S * 10/2017 Cesar D15/122

YouTube. Link: <https://www.youtube.com/watch?v=XeTdo-w6Qx8>. May 17, 2016. How the HP Jet Fusion 3D Printing Solution Works. (Year: 2016).*

Solidpro. Link: <https://shop.solidpro.de/de/HP-Jet-Fusion-3D-Drucker-5200.html>. Visited Feb. 25, 2020. HP Jet Fusion 3D Drucker 5200. (Year: 2020).*

* cited by examiner

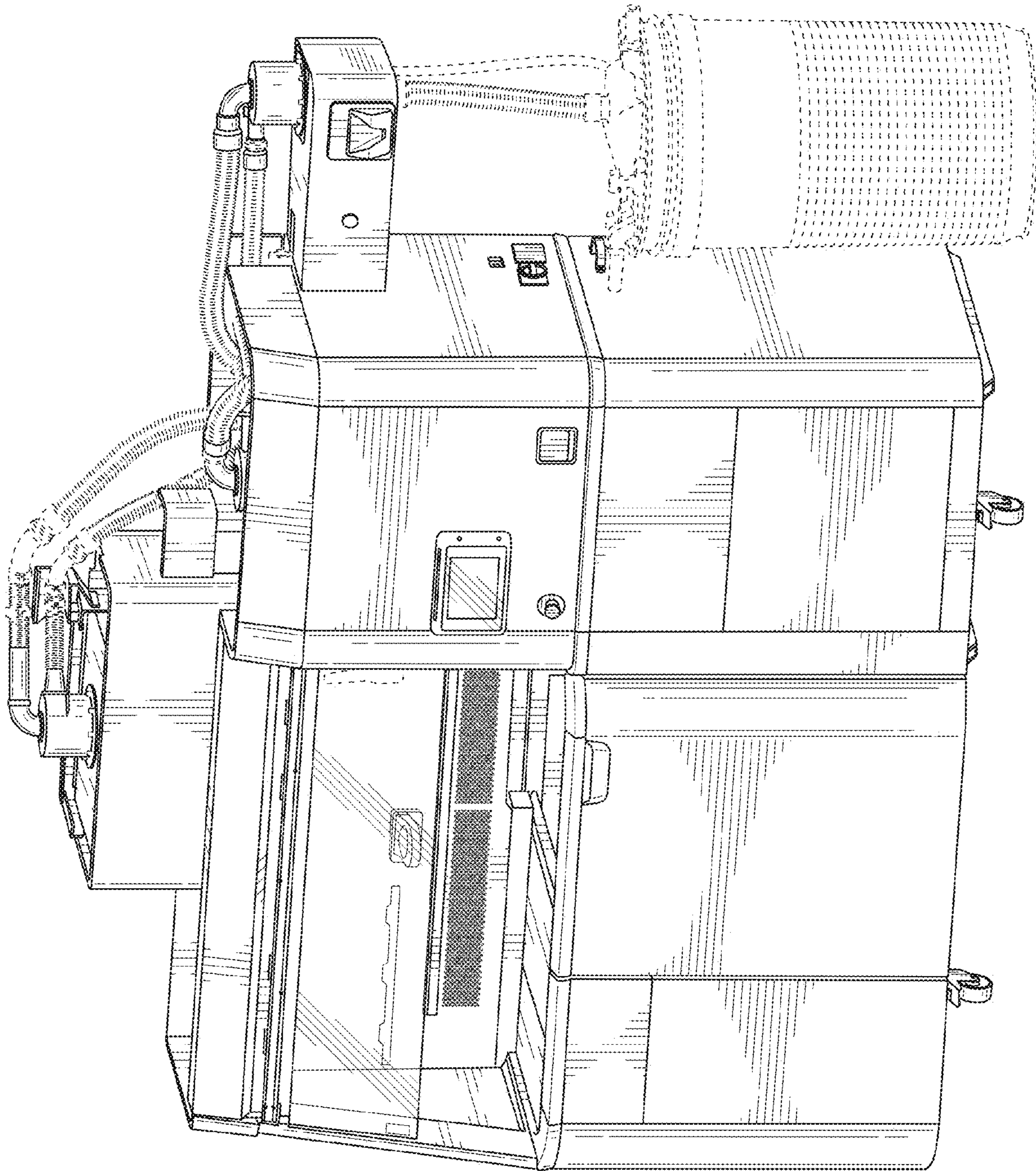


FIG. 1

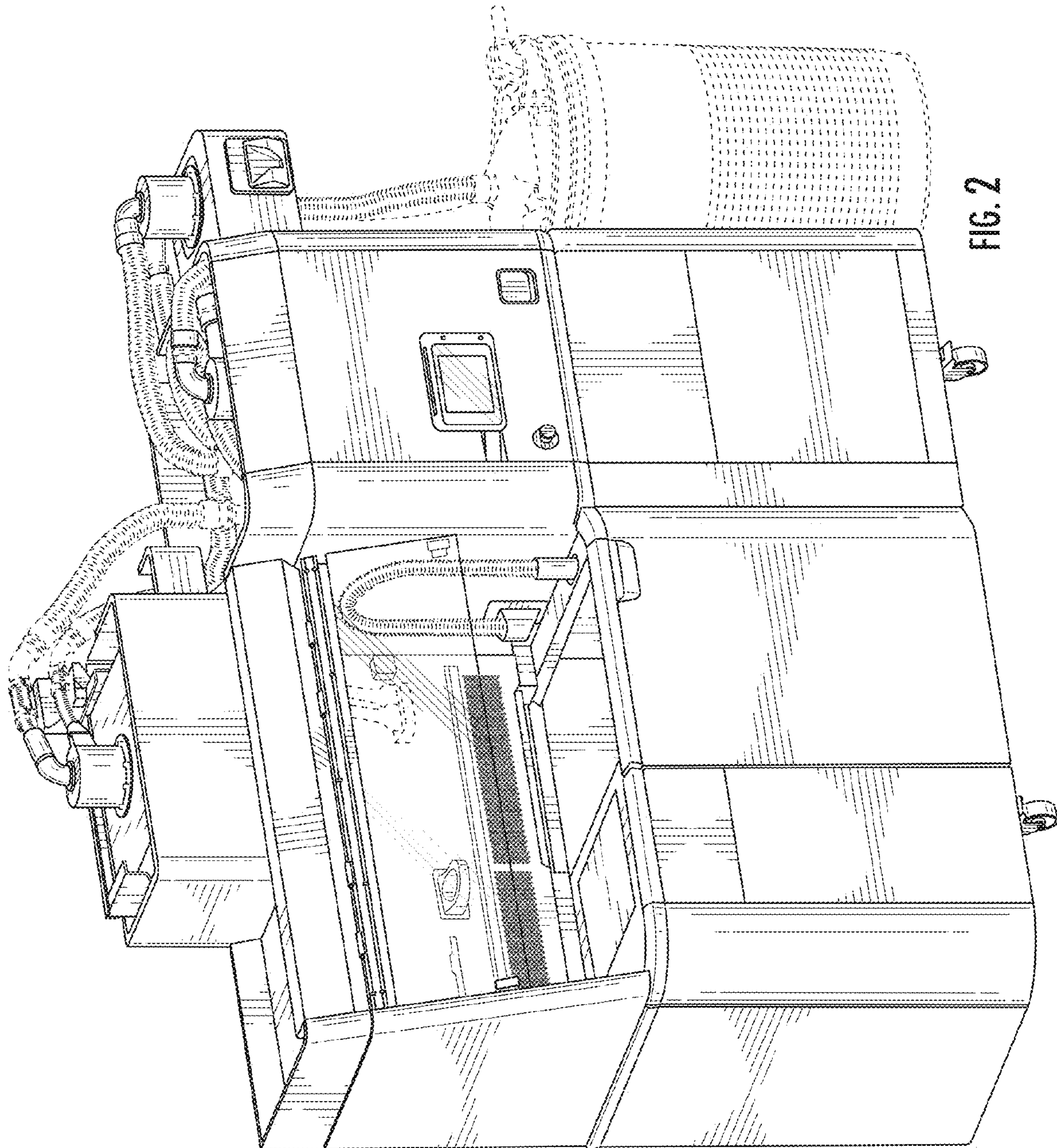


FIG. 2

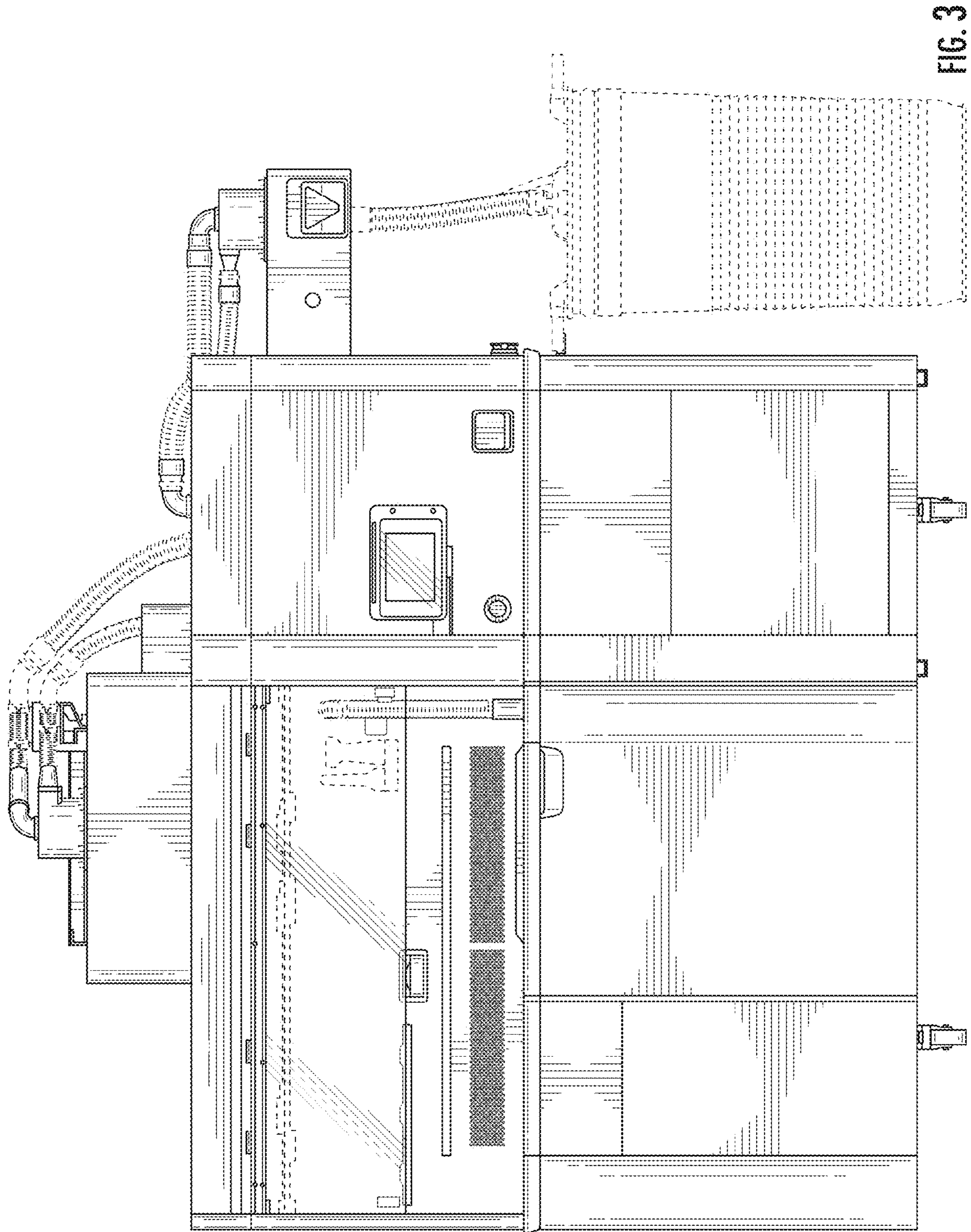


FIG. 3

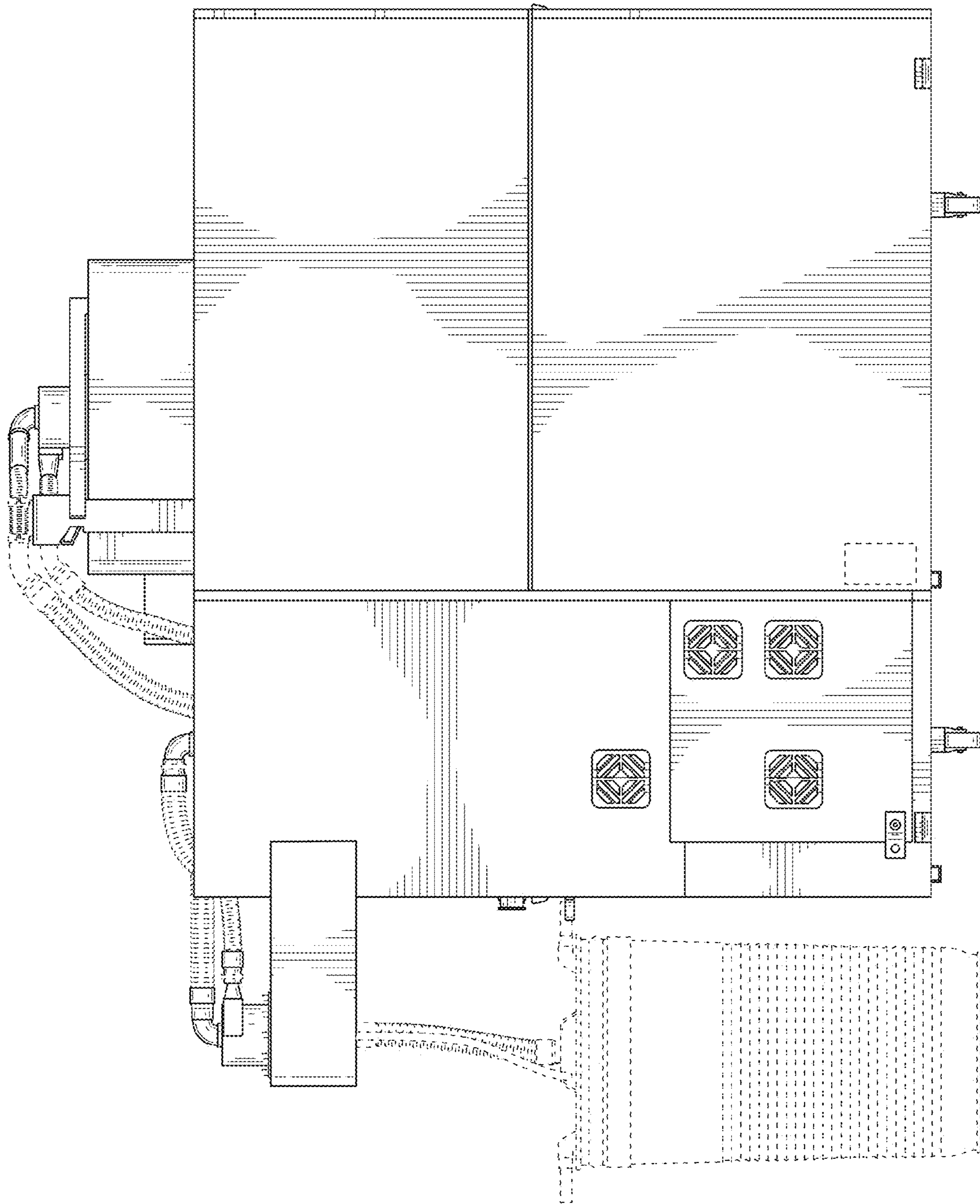


FIG. 4

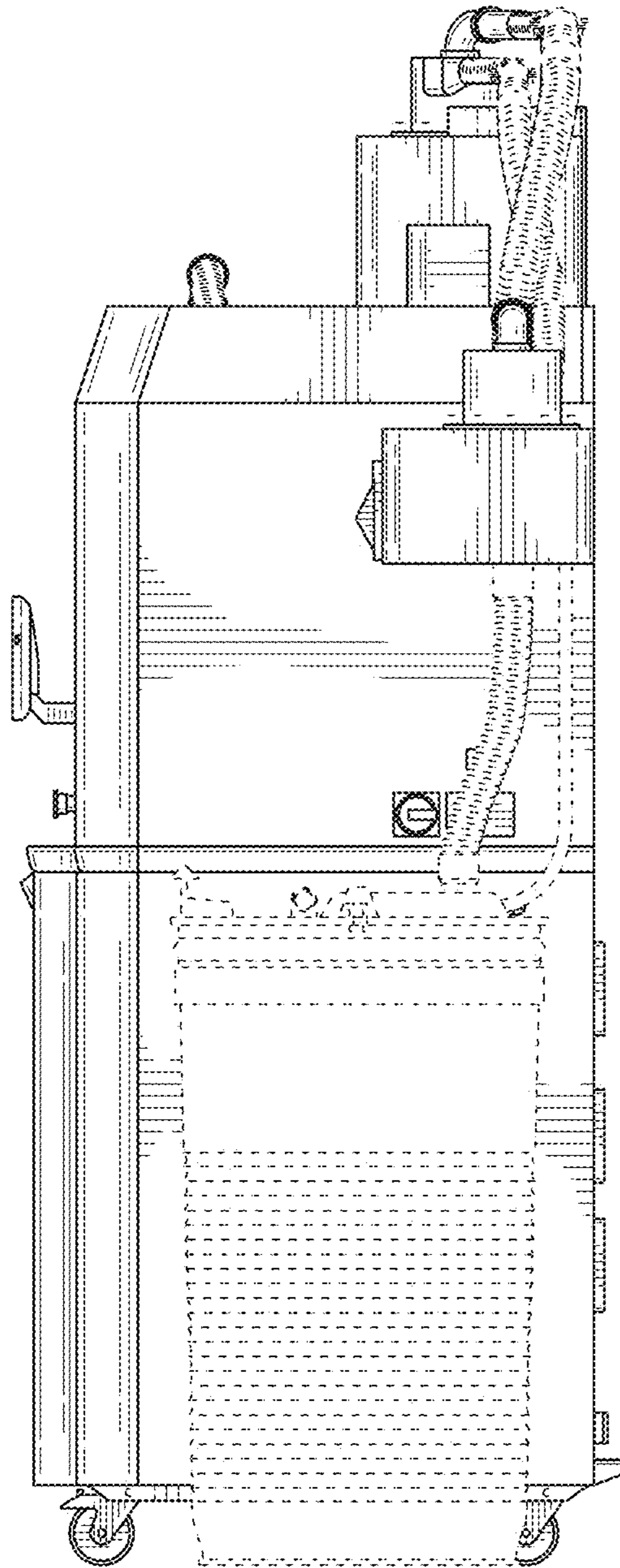


FIG. 5

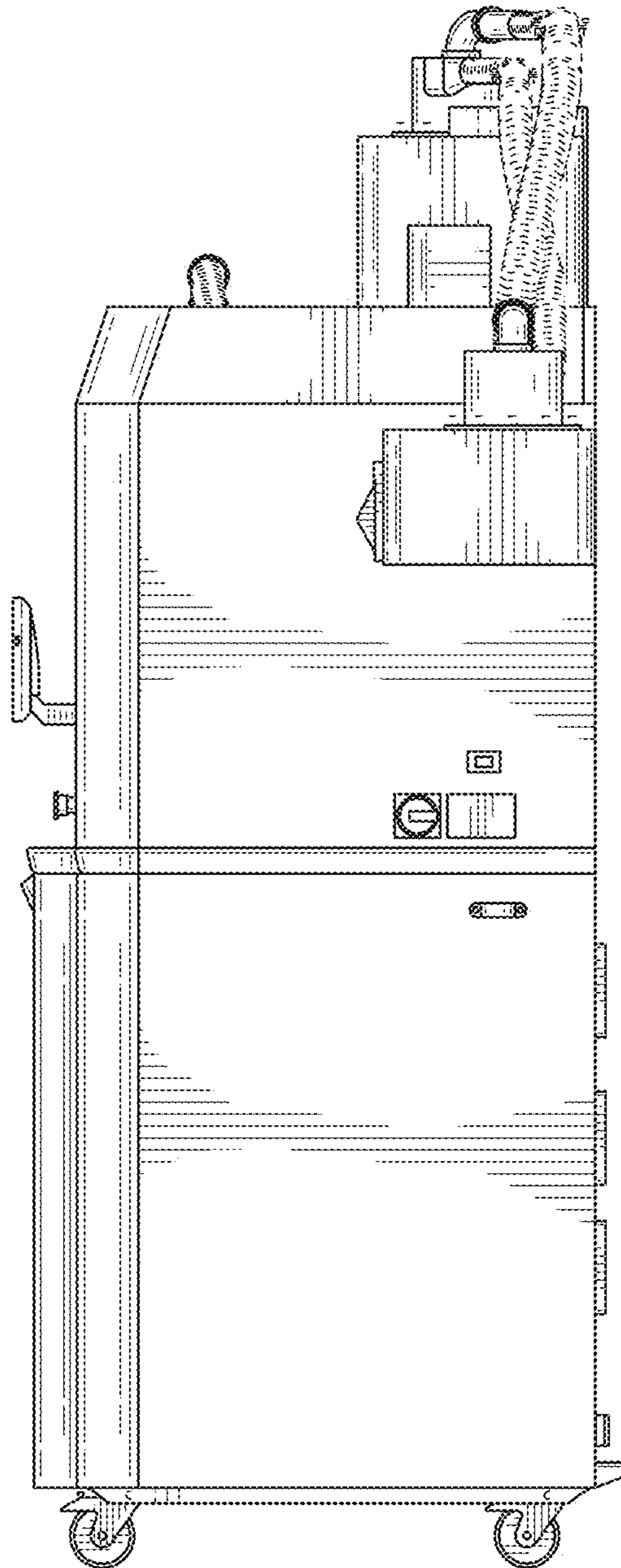


FIG. 6

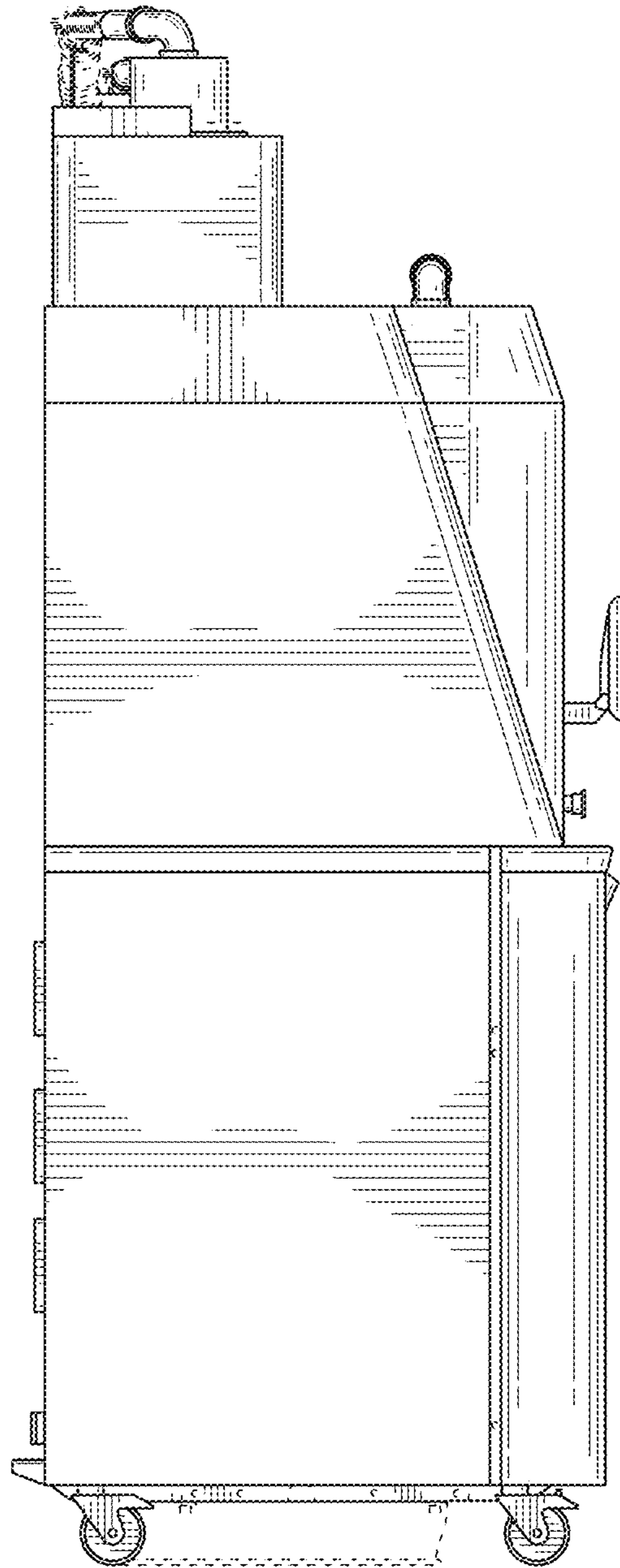


FIG. 7

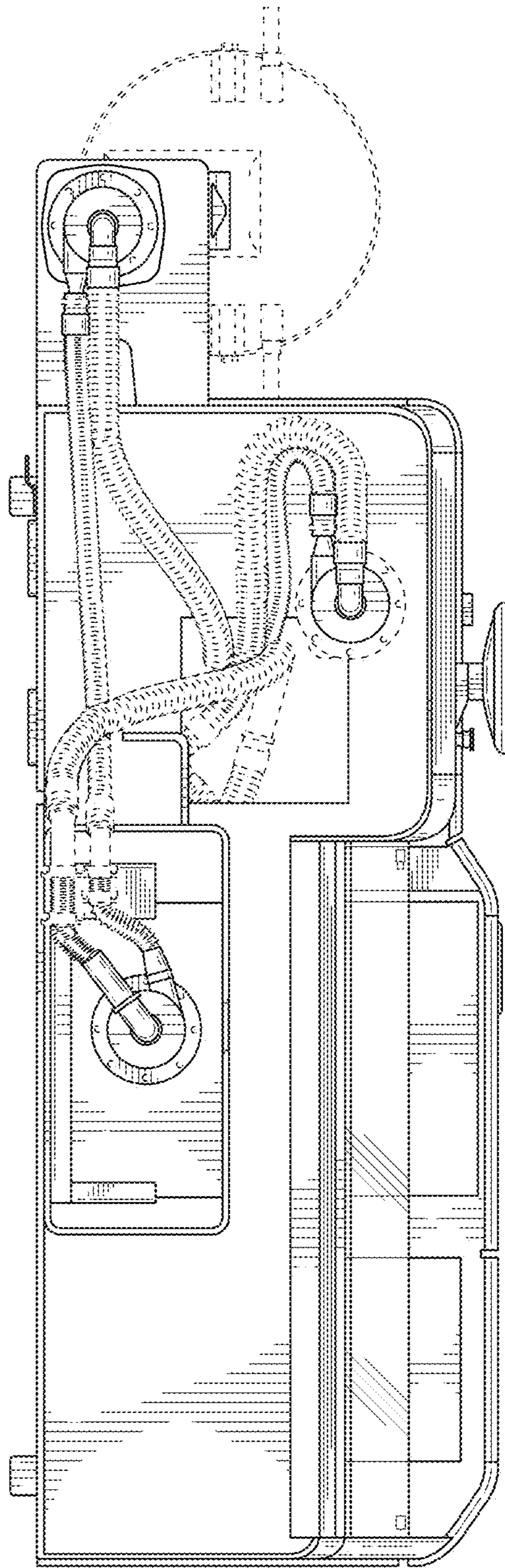


FIG. 8

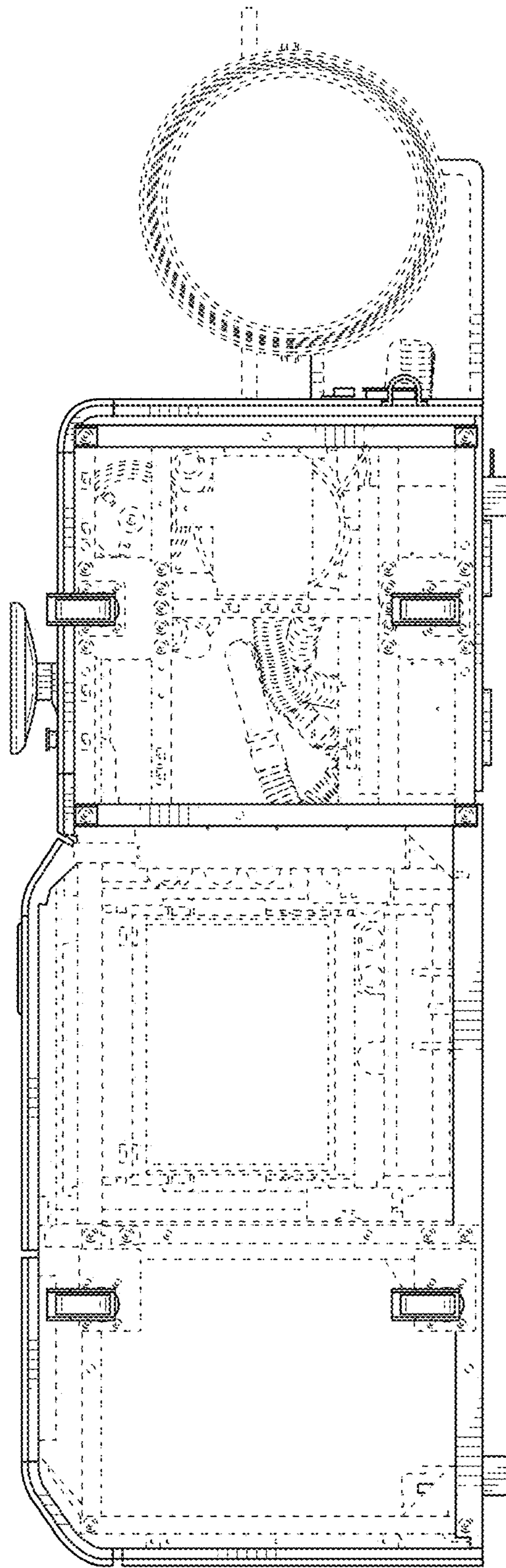


FIG. 9