



US00D901560S

(12) **United States Design Patent**
Kim et al.

(10) **Patent No.:** **US D901,560 S**

(45) **Date of Patent:** **** Nov. 10, 2020**

(54) **REFRIGERATOR**

(71) Applicant: **SAMSUNG ELECTRONICS CO., LTD.**, Suwon-si (KR)

(72) Inventors: **Hyunsoo Kim**, Seongnam-si (KR);
Youngmin Park, Seoul (KR)

(73) Assignee: **SAMSUNG ELECTRONICS CO., LTD.**, Gyeonggi-do (KR)

(**) Term: **15 Years**

(21) Appl. No.: **29/676,077**

(22) Filed: **Jan. 8, 2019**

(30) **Foreign Application Priority Data**

Jul. 9, 2018 (KR) 30-2018-0031539

(51) **LOC (12) Cl.** **15-07**

(52) **U.S. Cl.**
USPC **D15/89**; D15/79

(58) **Field of Classification Search**
USPC D15/71-91; 62/340, 344, 382, 407, 448;
312/287, 402
CPC F25D 11/003; F25D 11/02; F25D 11/022;
F25D 13/06; F25D 19/006; F25D 29/00;
F25D 29/005; F25D 29/008; F25D
2201/14; F25D 2323/00261; F25D
2323/00262;

(Continued)

(56) **References Cited**

U.S. PATENT DOCUMENTS

D135,274 S * 3/1943 Janes D15/88
D135,275 S * 3/1943 Janes D15/88

(Continued)

FOREIGN PATENT DOCUMENTS

KR 300291364 S 2/2002
KR 300360728 S 9/2004

(Continued)

OTHER PUBLICATIONS

Naver Klasse. [online]. pp. 1-2 [retrieved on Jan. 2, 2019]. Retrieved from the Internet: <URL: <http://cafe.naver.com/taegir11/2882>.

(Continued)

Primary Examiner — Ian Simmons

Assistant Examiner — Donald B Rose, Jr.

(74) *Attorney, Agent, or Firm* — Cantor Colburn LLP

(57) **CLAIM**

The ornamental design for a refrigerator, as shown and described.

DESCRIPTION

FIG. 1 is a front perspective view of a refrigerator, showing our new design;

FIG. 2 is a front view thereof;

FIG. 3 is a rear view thereof;

FIG. 4 is a left-side view thereof;

FIG. 5 is a right-side view thereof;

FIG. 6 is a top view thereof;

FIG. 7 is a bottom view thereof;

FIG. 8 is an enlarged view of the encircled portion in FIG. 1;

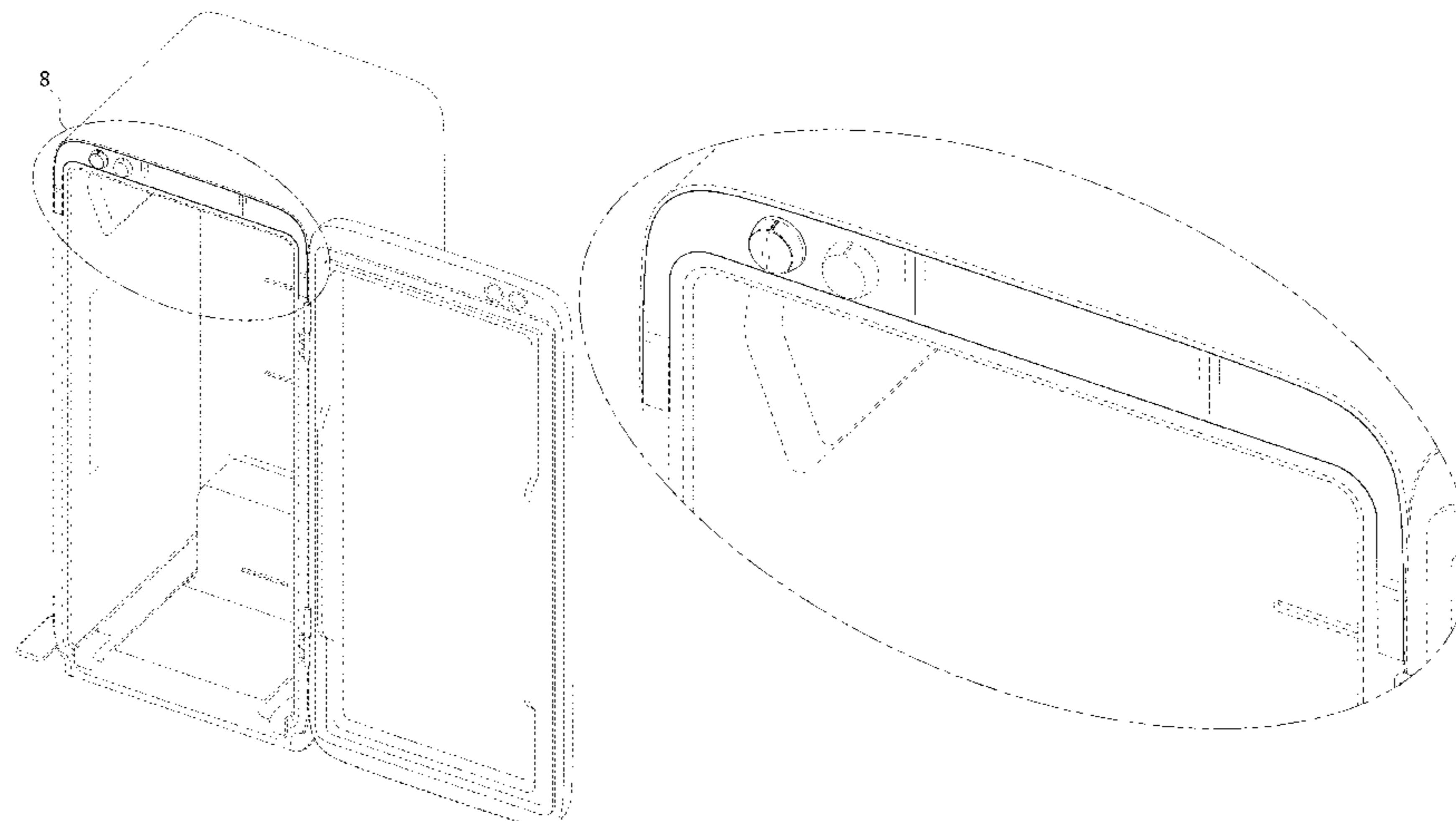
FIG. 9 is an enlarged view of the encircled portion in FIG. 2;

FIG. 10 is an enlarged view of the encircled portion in FIG. 4; and,

FIG. 11 is an enlarged view of the encircled portion in FIG. 6.

The even-dash broken lines depict portions of the refrigerator that form no part of the claimed design. The dot-dash broken lines represent boundaries of the claimed design and form no part thereof. The dot-dot-dash broken lines encircling enlargement portions of the refrigerator form no part of the claimed design.

1 Claim, 11 Drawing Sheets



(58) **Field of Classification Search**

CPC F25D 2323/00272; F25D 2400/361; F25D
2500/06; F25D 2700/02; F25D 2700/08;
F25D 2700/12

See application file for complete search history.

(56) **References Cited**

U.S. PATENT DOCUMENTS

2,322,626 A * 6/1943 Gerhard F25D 11/02
62/71
D169,431 S * 4/1953 Ferar D15/88
2,663,999 A * 12/1953 Alsing F25D 11/02
62/382
D175,647 S * 9/1955 Reynolds, Jr. D15/88
2,717,505 A * 9/1955 Andersson F25D 21/14
62/344
2,720,089 A * 10/1955 Morton F25D 21/14
62/131
2,753,695 A * 7/1956 Maranto F25D 19/00
62/448
2,770,102 A * 11/1956 Roedter F25C 1/04
62/137
2,770,954 A * 11/1956 Jansen F25D 17/045
62/276
2,775,430 A * 12/1956 Norberg F25D 23/04
165/263

D309,122 S * 7/1990 Biemolt D11/145
D715,334 S * 10/2014 Sin D15/81
D803,903 S * 11/2017 Wang D15/88
D807,412 S * 1/2018 Lee D15/89
D821,458 S * 6/2018 Kim D15/81
D825,622 S * 8/2018 Kwon D15/88
D826,292 S * 8/2018 Lee D15/88
D826,293 S * 8/2018 Kwon D15/88
D829,245 S * 9/2018 Kim D15/88
D829,775 S * 10/2018 Kim D15/81
D853,454 S * 7/2019 Kim D15/81
D886,164 S * 6/2020 Mangiarotti D15/81
2018/0172337 A1 * 6/2018 Choi E06B 5/006

FOREIGN PATENT DOCUMENTS

KR 300406138 S 2/2006
KR 300625774 S 12/2011
KR 300625777 S 12/2011

OTHER PUBLICATIONS

Naver RR09FARAEWW. [online]. pp. 1-2 [retrieved on Jan. 2,
2019]. Retrieved from the Internet: <URL: <https://blog.naver.com/ghwlsfl0/220200366469>>.

* cited by examiner

FIG. 1

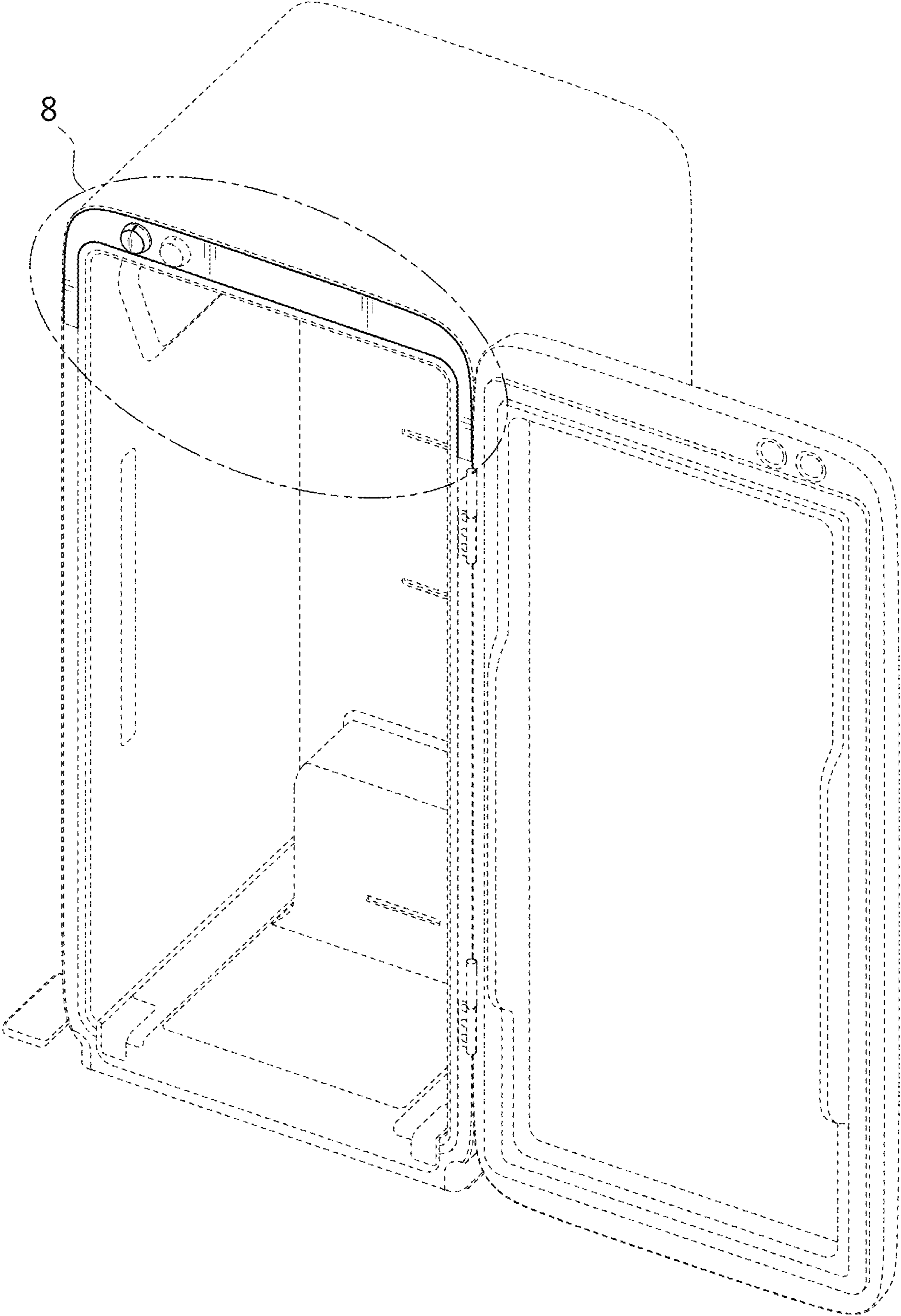


FIG. 2

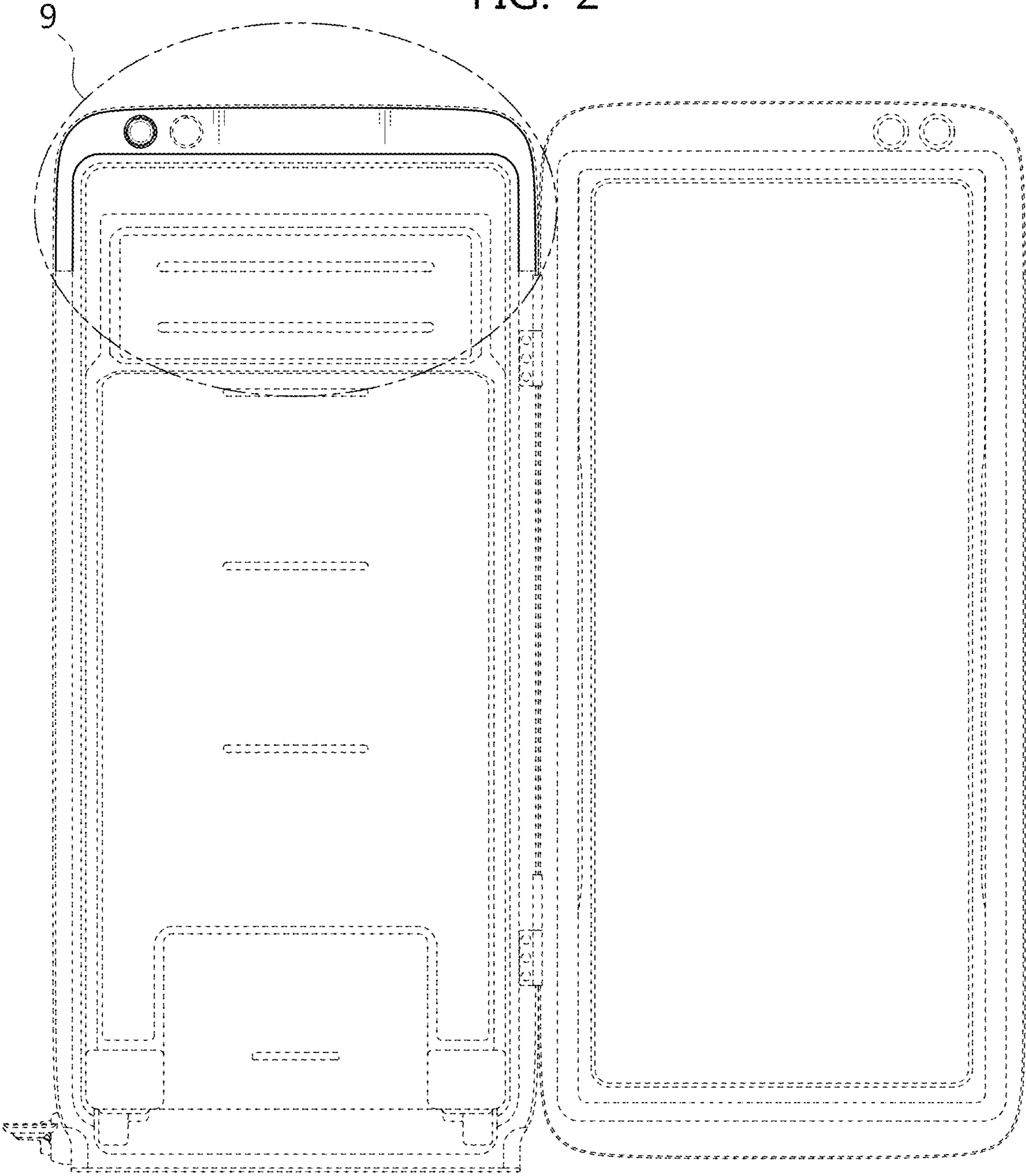


FIG. 3



FIG. 4

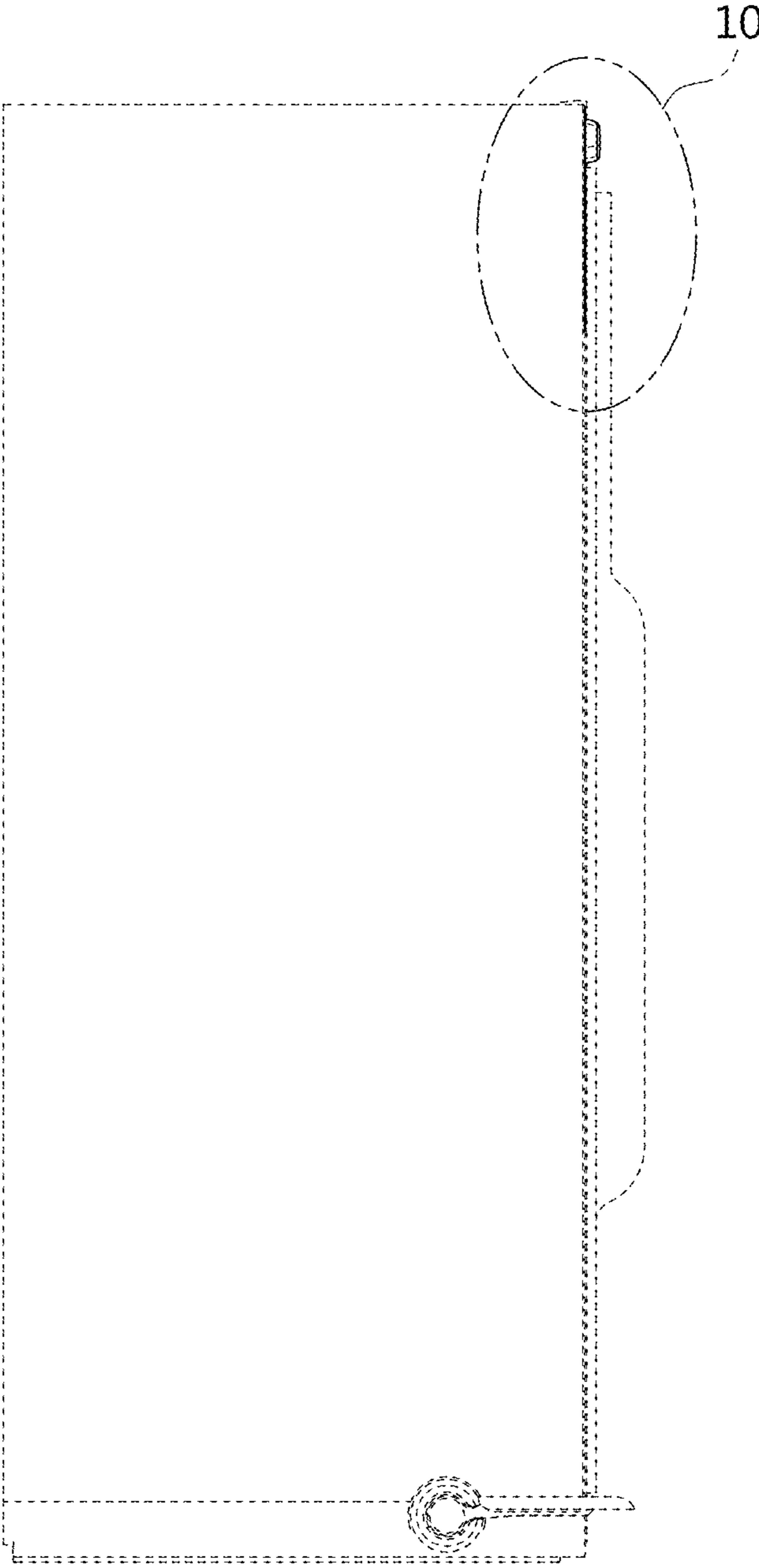


FIG. 5

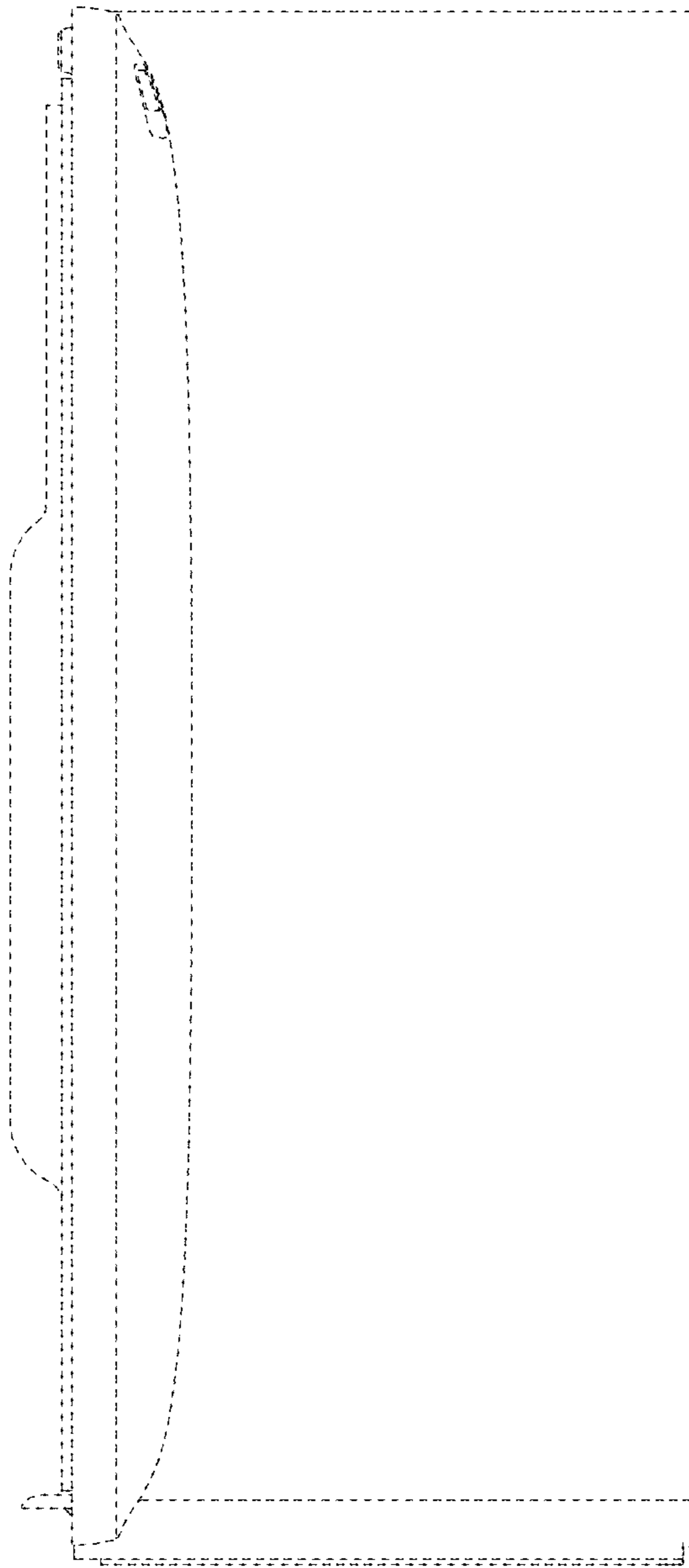


FIG. 6

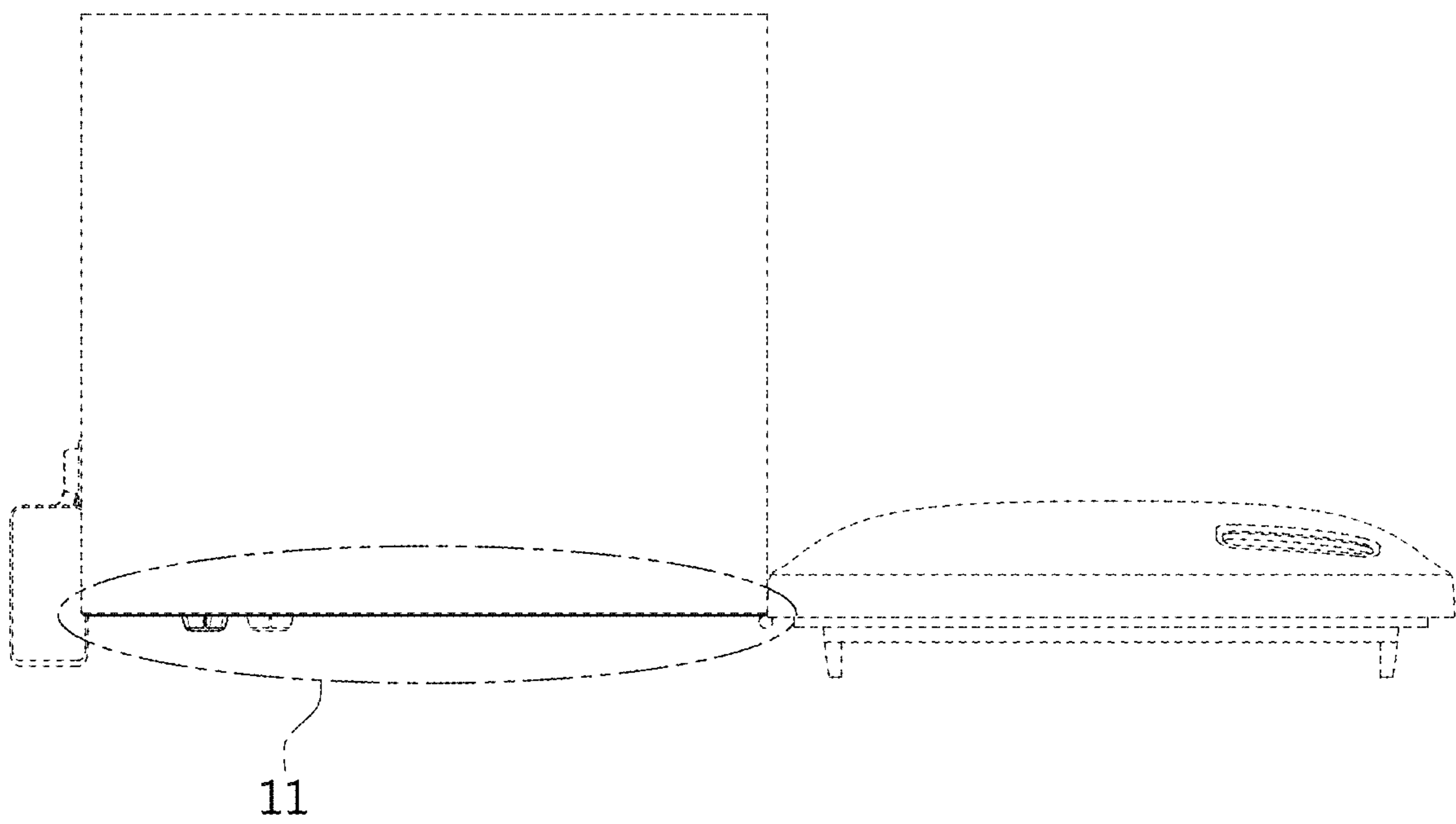


FIG. 7

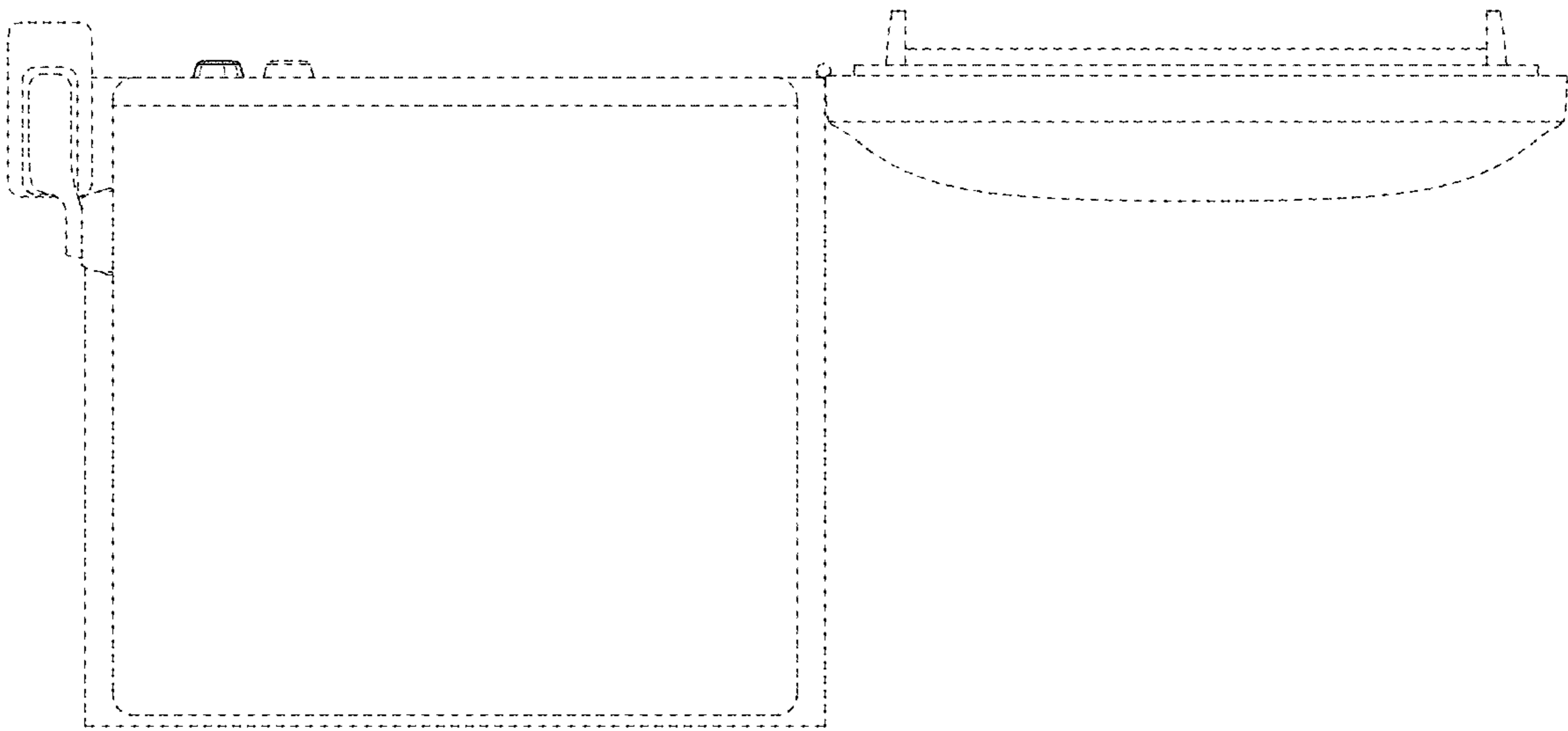


FIG. 8

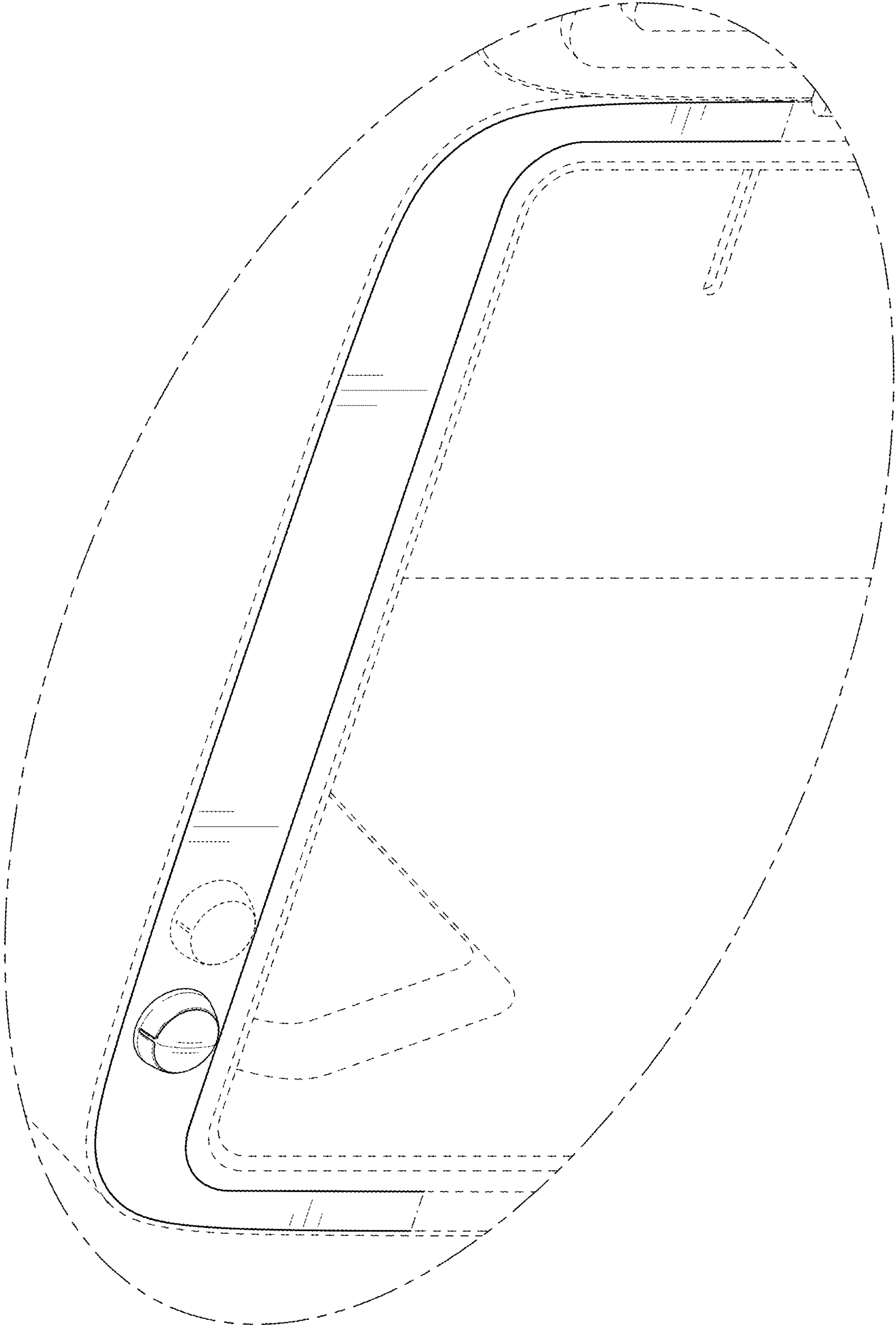


FIG. 9

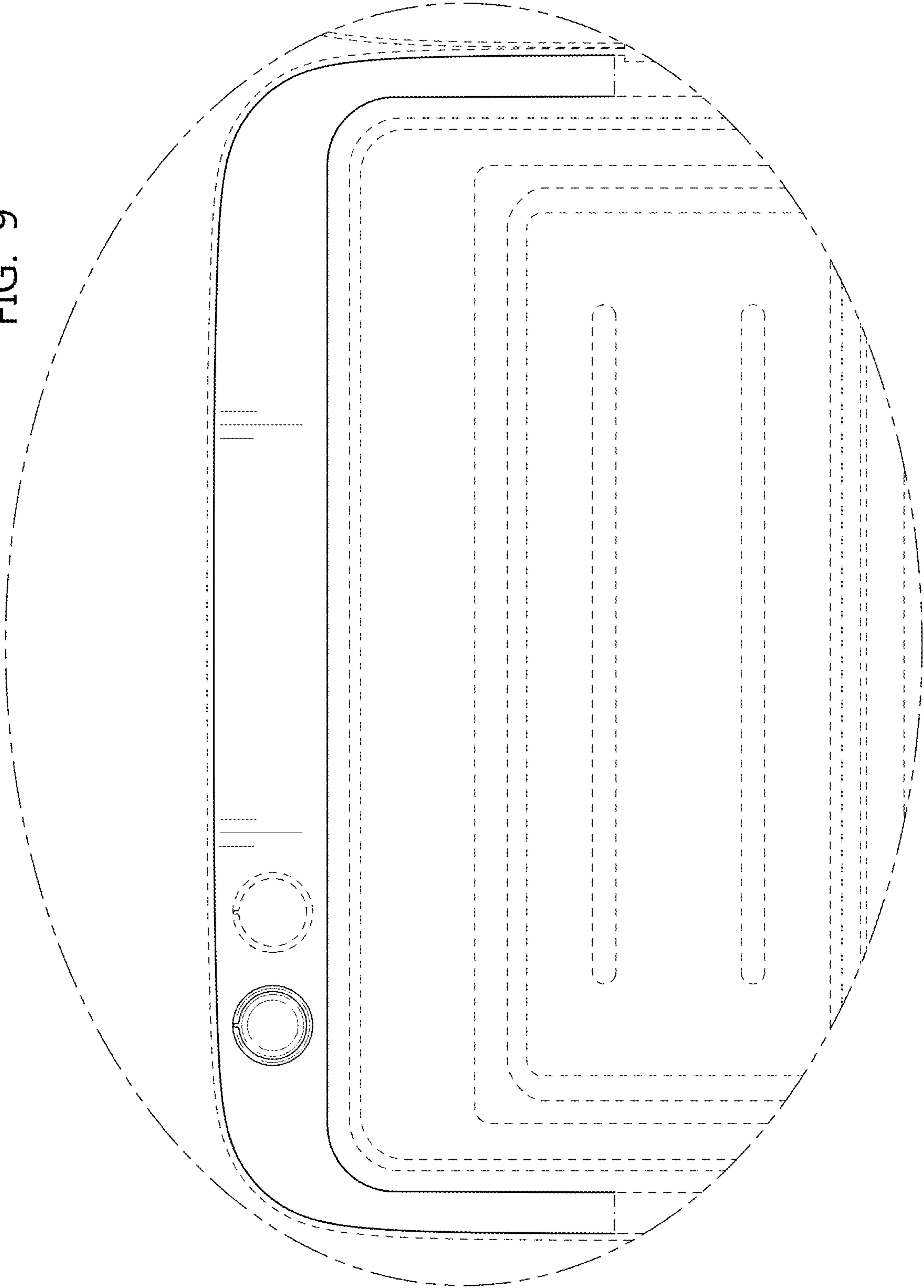


FIG. 10

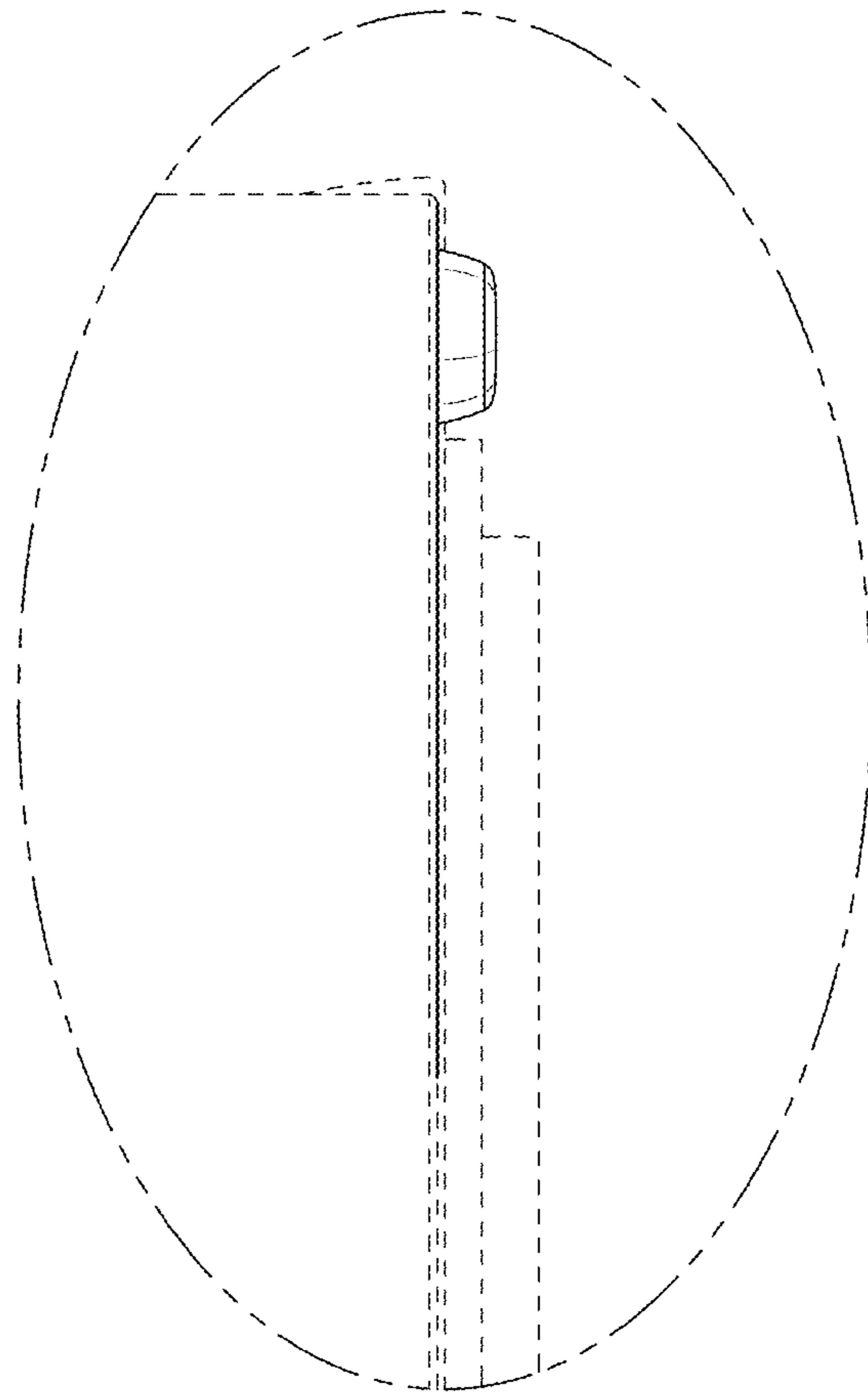


FIG. 11

