



US00D901555S

(12) **United States Design Patent** (10) **Patent No.:** **US D901,555 S**
Ducher et al. (45) **Date of Patent:** **** Nov. 10, 2020**

(54) **COVER FOR TRANSPORT REFRIGERATION UNIT**

D648,013 S * 11/2011 Baek D23/351
8,807,628 B1 * 8/2014 Pfaff B60H 1/00014
296/180.1

(71) Applicant: **CARRIER CORPORATION**, Palm Beach Gardens, FL (US)

D741,382 S * 10/2015 Ogg D15/89
D751,126 S * 3/2016 Pfaff D15/89
D823,356 S * 7/2018 Lum D15/89
D851,139 S * 6/2019 Corey D15/89

(72) Inventors: **Gael Ducher**, Olivet (FR); **Pascal Moncomble**, Les Andelys/Eure (FR); **Stephane Boudonnet**, Le Thuit Signol (FR)

2001/0035020 A1 * 11/2001 Gehman B60P 3/20
62/244

* cited by examiner

(73) Assignee: **CARRIER CORPORATION**, Palm Beach Gardens, FL (US)

Primary Examiner — Khawaja Anwar

(74) *Attorney, Agent, or Firm* — Cantor Colburn LLP

(**) Term: **15 Years**

(21) Appl. No.: **29/646,156**

(57) **CLAIM**

(22) Filed: **May 2, 2018**

We claim, the ornamental design for a cover for transport refrigeration unit, as shown and described.

(51) **LOC (12) Cl.** **15-07**

(52) **U.S. Cl.**
USPC **D15/79**

(58) **Field of Classification Search**

USPC D15/79-91
CPC F25D 23/028; F25D 25/02; F25D 11/00;
F25D 11/02; F25D 2323/021; F25D 23/12;
F25D 2700/12; F25D 27/00; F25D 29/00;
F25D 17/042; F25D 17/047; F25D 17/065;
F25D 2317/043; F25D 2317/066; F25D 2317/0671;
F25D 2323/121; F25D 2331/801; F25D 23/02; F25D 23/04;
F25D 23/08; F25D 2400/06; F25D 2400/16;
F25D 2500/06; F25D 2700/02; F25D 2700/14;
F25D 29/003; F25D 29/005; F25D 29/006

See application file for complete search history.

DESCRIPTION

FIG. 1 is a perspective view of a cover for transport refrigeration unit, showing our new design;

FIG. 2 is a front view of the embodiment shown in FIG. 1;

FIG. 3 is a rear view of the embodiment shown in FIG. 1;

FIG. 4 is a side view of the embodiment shown in FIG. 1;

FIG. 5 is another side view of the embodiment shown in FIG. 1;

FIG. 6 is a top view of the embodiment shown in FIG. 1;

FIG. 7 is a bottom view of the embodiment shown in FIG. 1; and,

FIG. 8 is another perspective view of the embodiment shown in FIG. 1, as shown on a trailer unit.

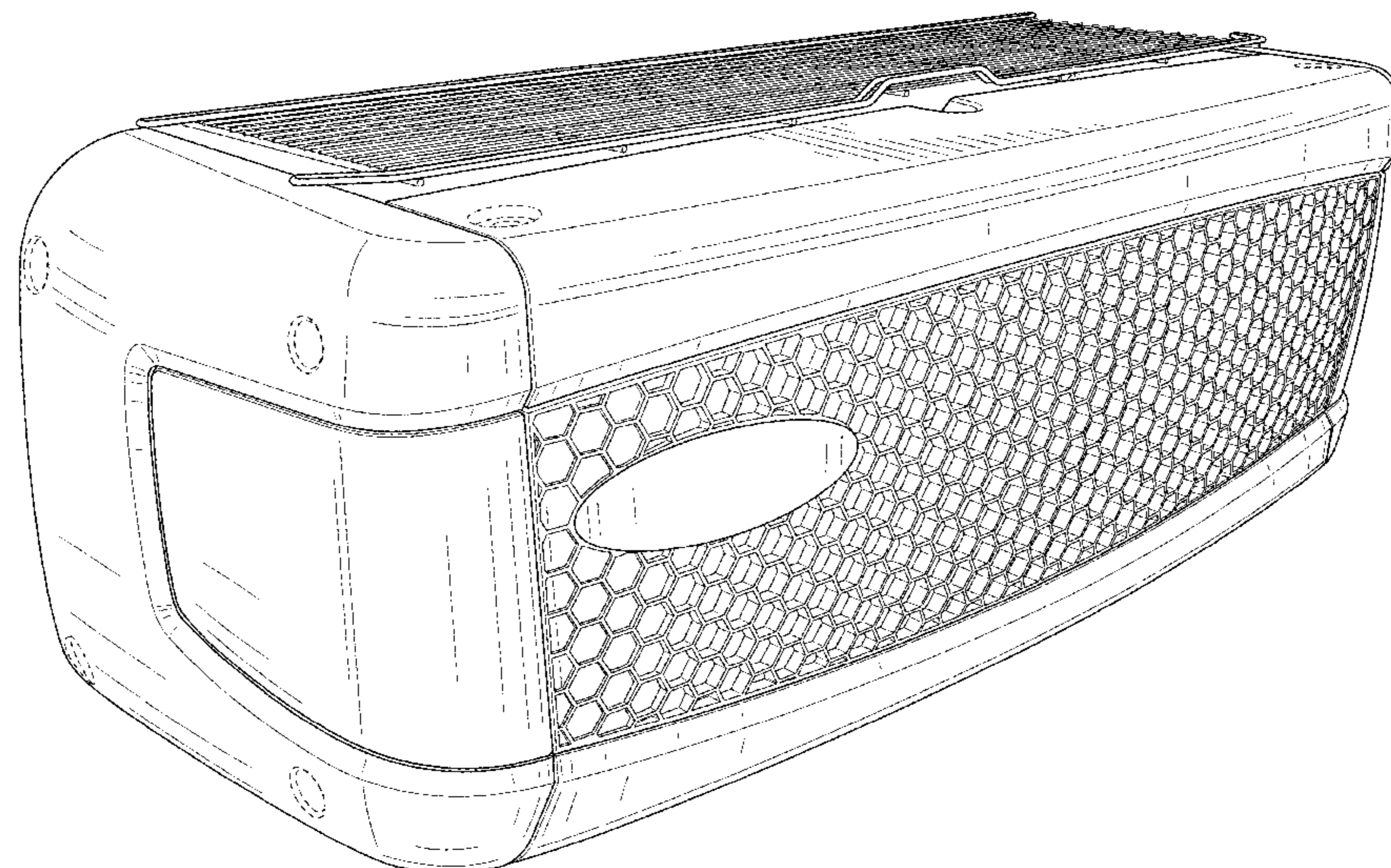
The broken line disclosure forms no part of the claimed design.

(56) **References Cited**

U.S. PATENT DOCUMENTS

4,078,395 A * 3/1978 Crowe B60P 3/20
296/180.4
4,310,192 A * 1/1982 Fitzgerald B62D 35/001
296/180.4

1 Claim, 7 Drawing Sheets



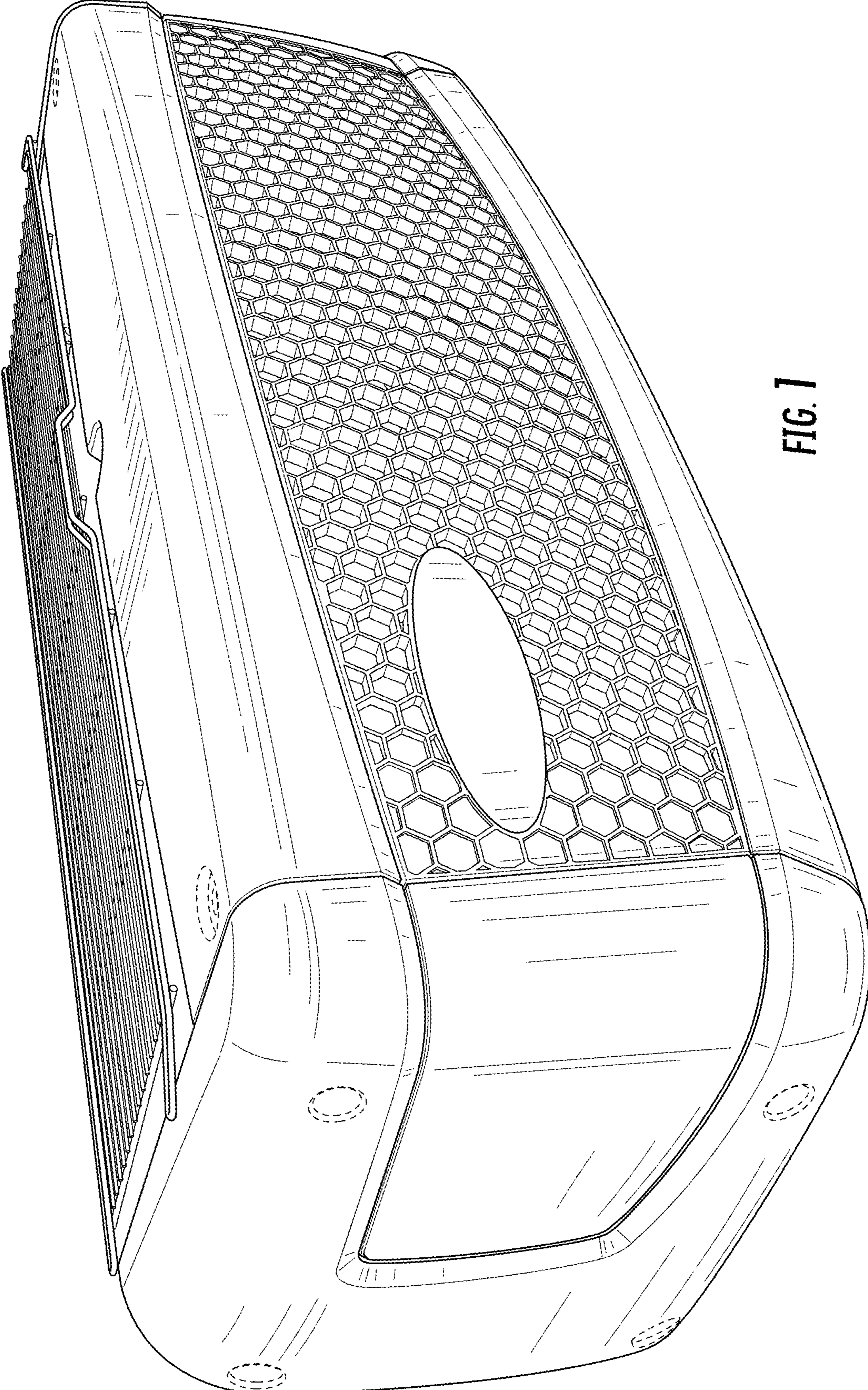


FIG. 1

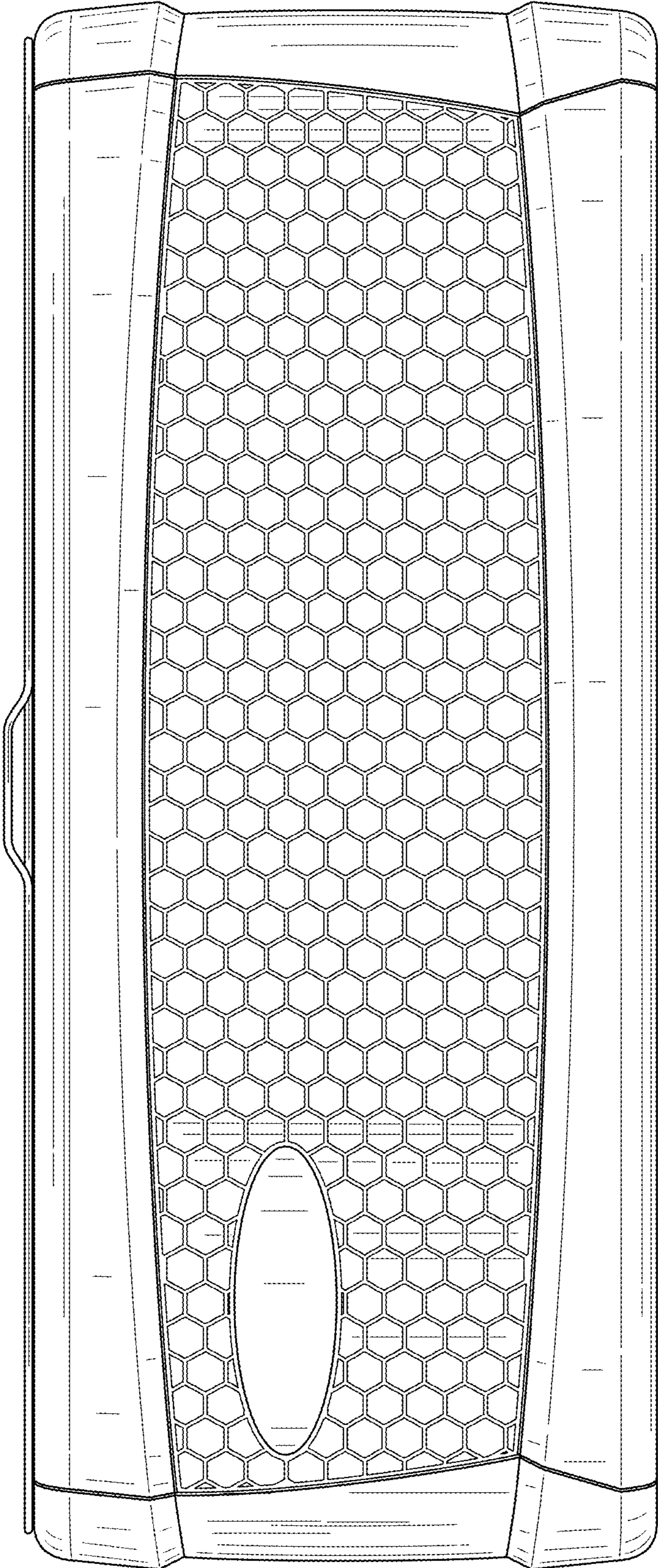


FIG. 2

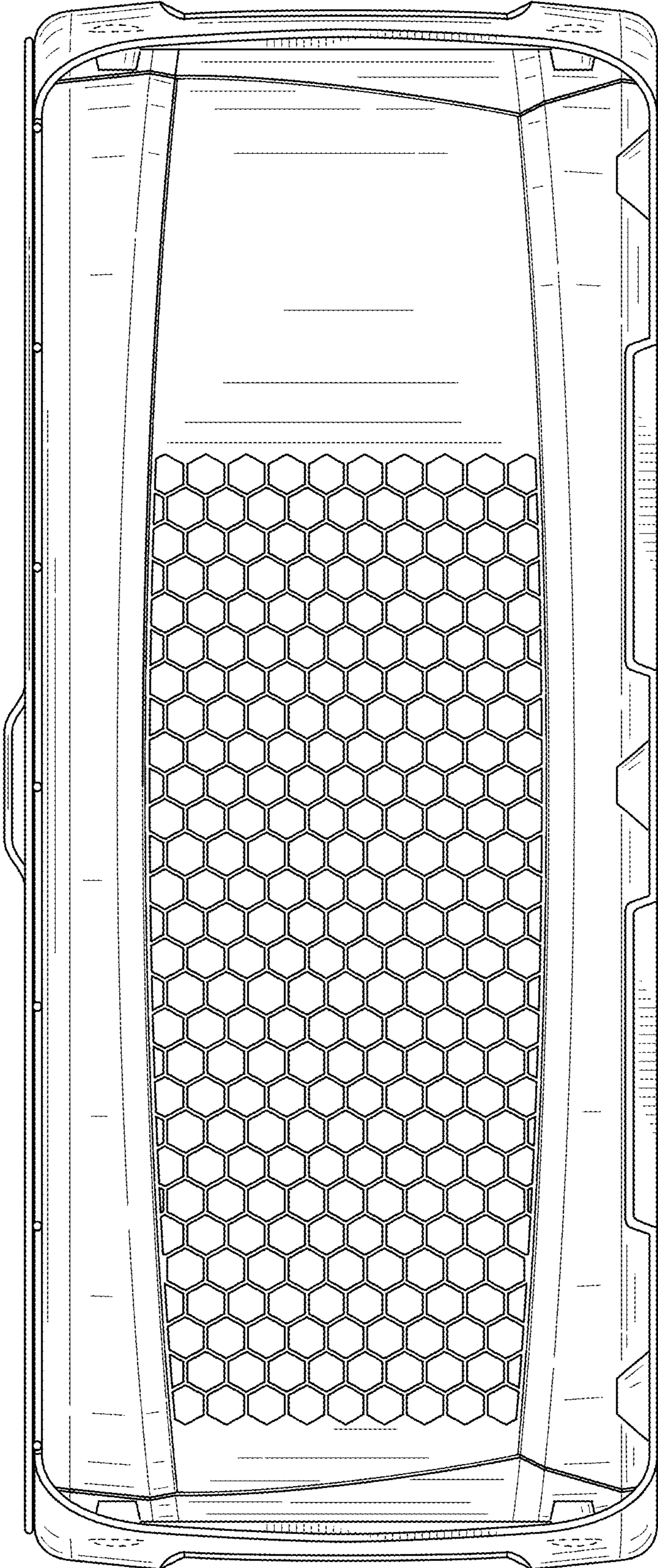


FIG. 3

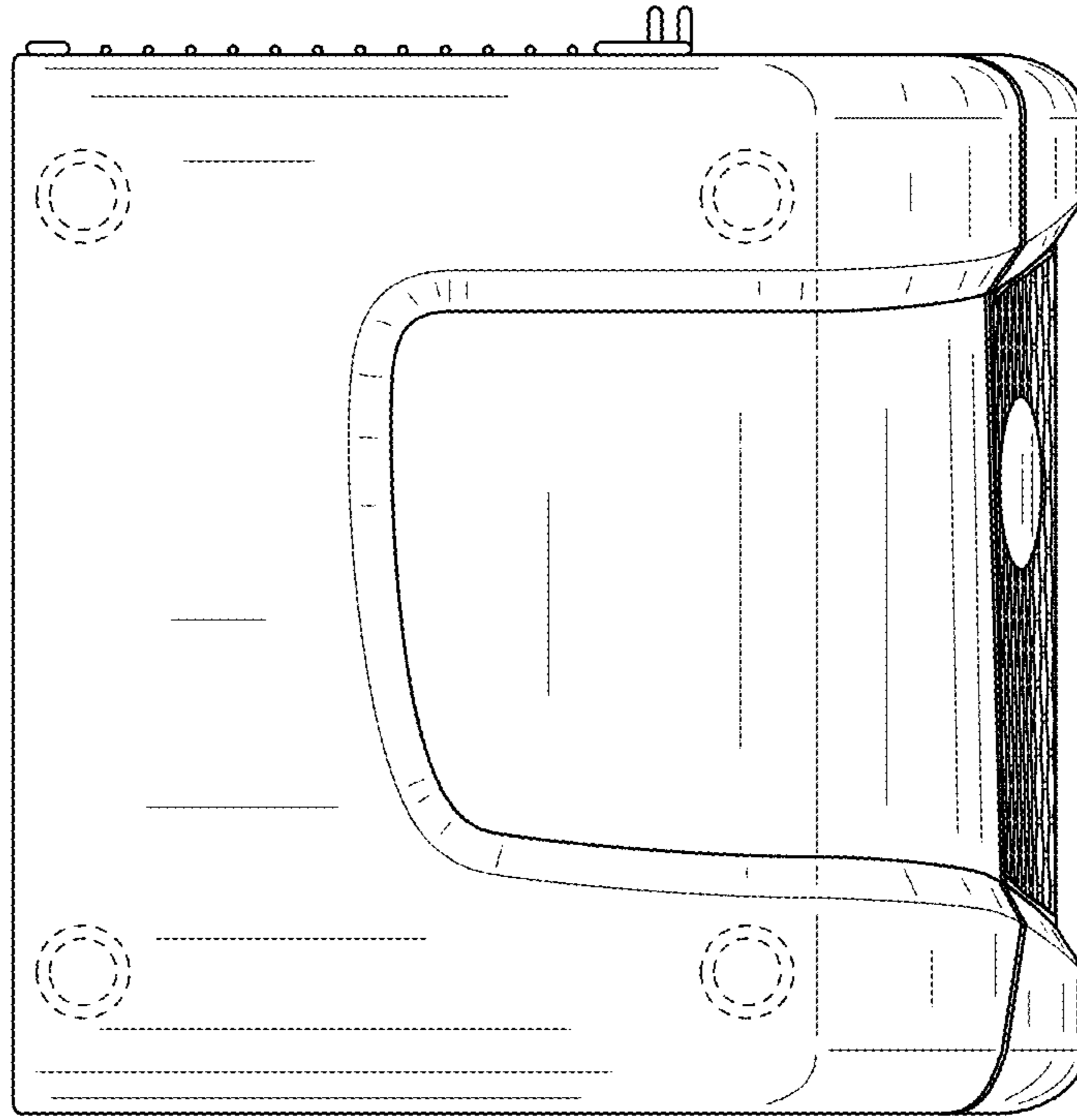


FIG. 4

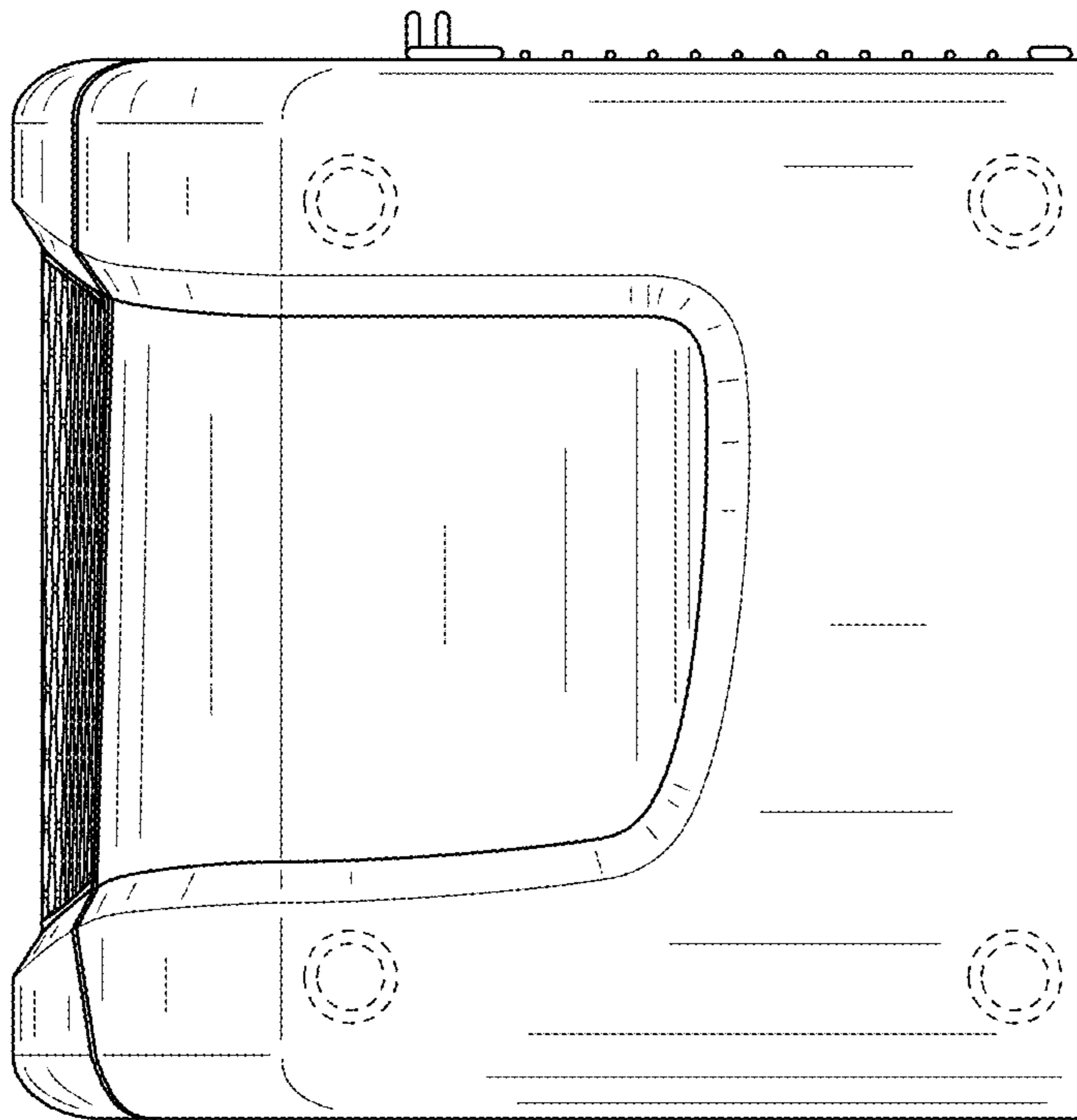


FIG. 5

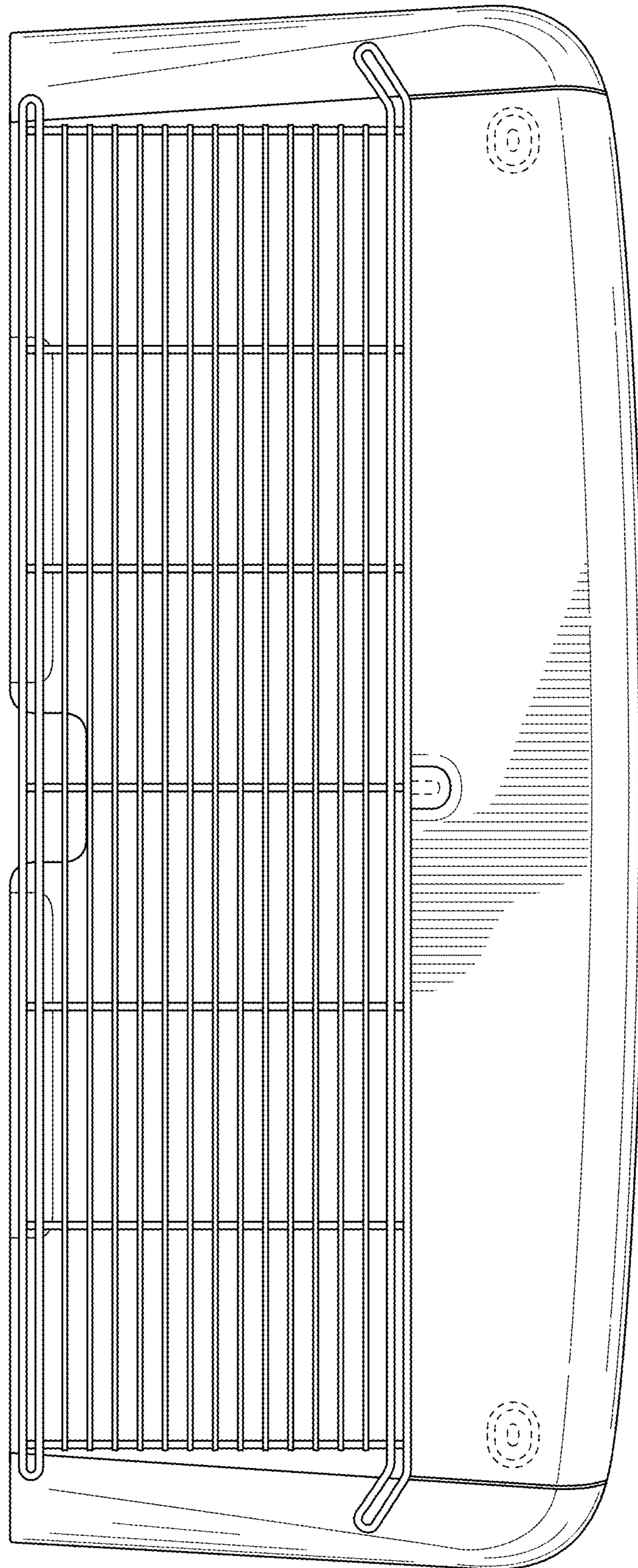


FIG. 6

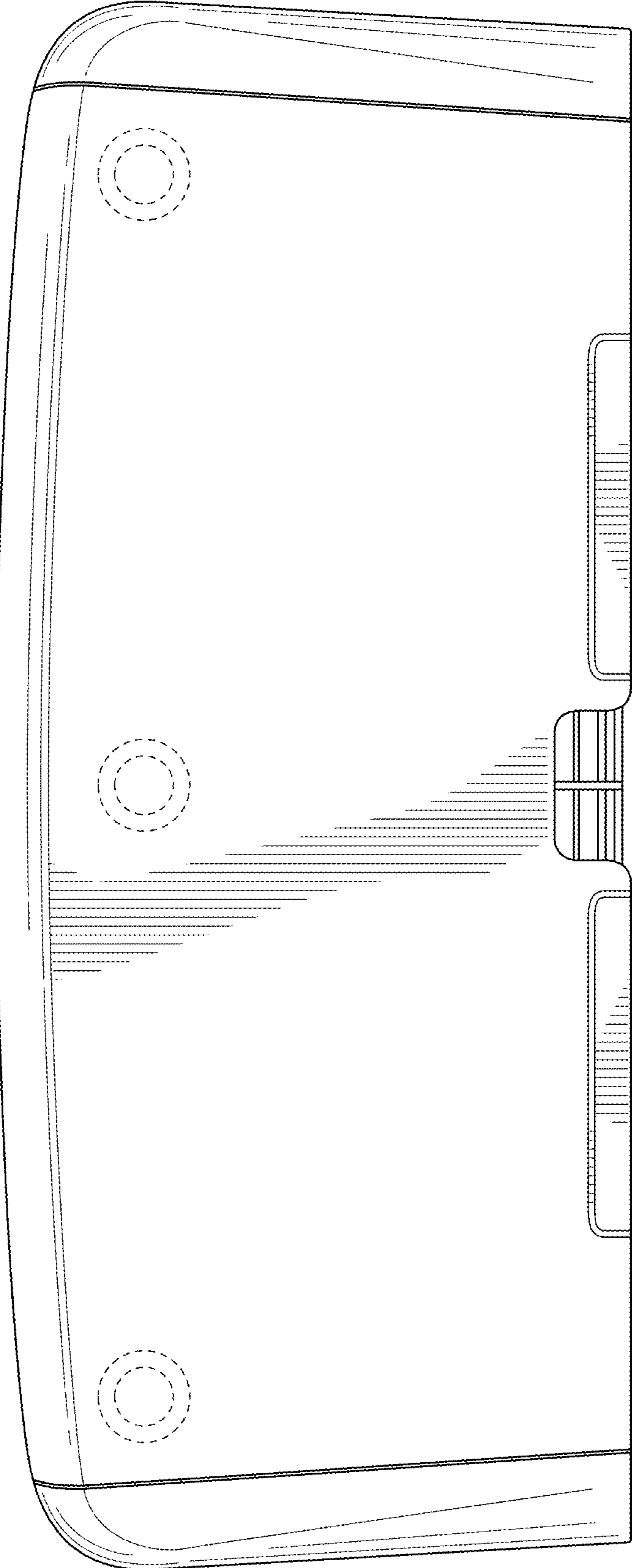


FIG. 7

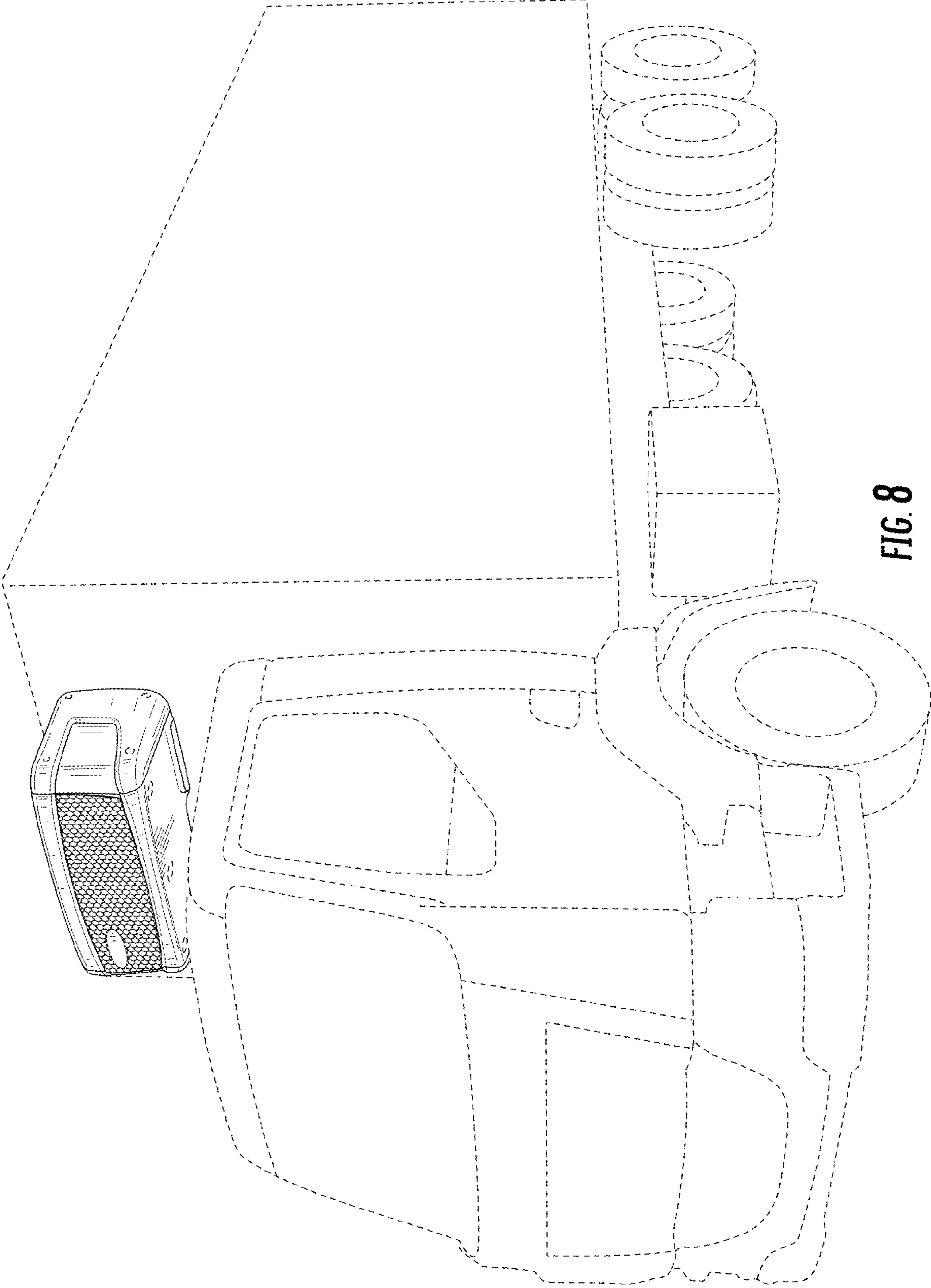


FIG. 8