

US00D901553S

(12) **United States Design Patent**
Major et al.

(10) **Patent No.:** **US D901,553 S**

(45) **Date of Patent:** **** Nov. 10, 2020**

(54) **EXCAVATOR**

(71) Applicant: **Guangxi LiuGong Machinery Co., Ltd.**, Guangxi (CN)

(72) Inventors: **Gary Major**, Nantwich (GB); **Richard Killgren**, Nantwich (GB); **James Holmes**, Coventry (GB)

(73) Assignee: **Guanxi LiuGong Machinery Co., Ltd.**, Guangxi (CN)

(**) Term: **15 Years**

(21) Appl. No.: **29/703,047**

(22) Filed: **Aug. 23, 2019**

(51) **LOC (12) Cl.** **15-03**

(52) **U.S. Cl.**
USPC **D15/30**

(58) **Field of Classification Search**
USPC D15/10, 22-26, 28, 30; 180/89.1, 89.12, 180/89.13, 900, 9.1, 9.2, 9.62; 37/379; 414/694, 699, 722-724, 660, 685, 698, 414/719, 743

CPC E02F 3/32; E02F 3/76; E02F 3/40; E02F 3/325; E02F 3/352; E02F 3/384; E02F 3/425; E02F 3/437; E02F 3/627; E02F 3/964; E02F 9/163; E02F 9/0858; E02F 9/0875; E02F 9/2045; E02F 9/006; E02F 9/0808; E02F 9/0833; E02F 9/2004; E02F 9/207; E02F 9/2091; E02F 9/2246; E02F 9/2292; E02F 9/0086; E02F 9/18; F01N 13/001; F01N 2590/08

See application file for complete search history.

(56) **References Cited**

U.S. PATENT DOCUMENTS

D432,144 S * 10/2000 Kraft D15/25
D432,145 S * 10/2000 Kraft D15/25

D481,044 S * 10/2003 Tokach D15/30
D494,986 S * 8/2004 Tokach D15/30
D538,304 S * 3/2007 Uemura D15/25
D549,245 S * 8/2007 Antonetti D15/30
D590,847 S * 4/2009 Yonekura D15/25
D594,037 S * 6/2009 Uemura D15/30
D607,904 S * 1/2010 Reisenauer D15/30
D607,905 S * 1/2010 Reisenauer D15/30
D660,323 S * 5/2012 Hiraoka D15/31
D692,924 S * 11/2013 Hatanaka D15/24
D707,261 S * 6/2014 Caboret D15/24
D711,927 S * 8/2014 Yoshita D15/24
D716,845 S * 11/2014 Hayami D15/25
D751,123 S * 3/2016 Kazakoff D15/30
D773,537 S * 12/2016 Fiser D15/30
D774,112 S * 12/2016 Fiser D15/30
D830,421 S * 10/2018 Colclough D15/24

(Continued)

Primary Examiner — Mark A Goodwin

(74) *Attorney, Agent, or Firm* — Young Basile Hanlon & MacFarlane, P.C.

(57) **CLAIM**

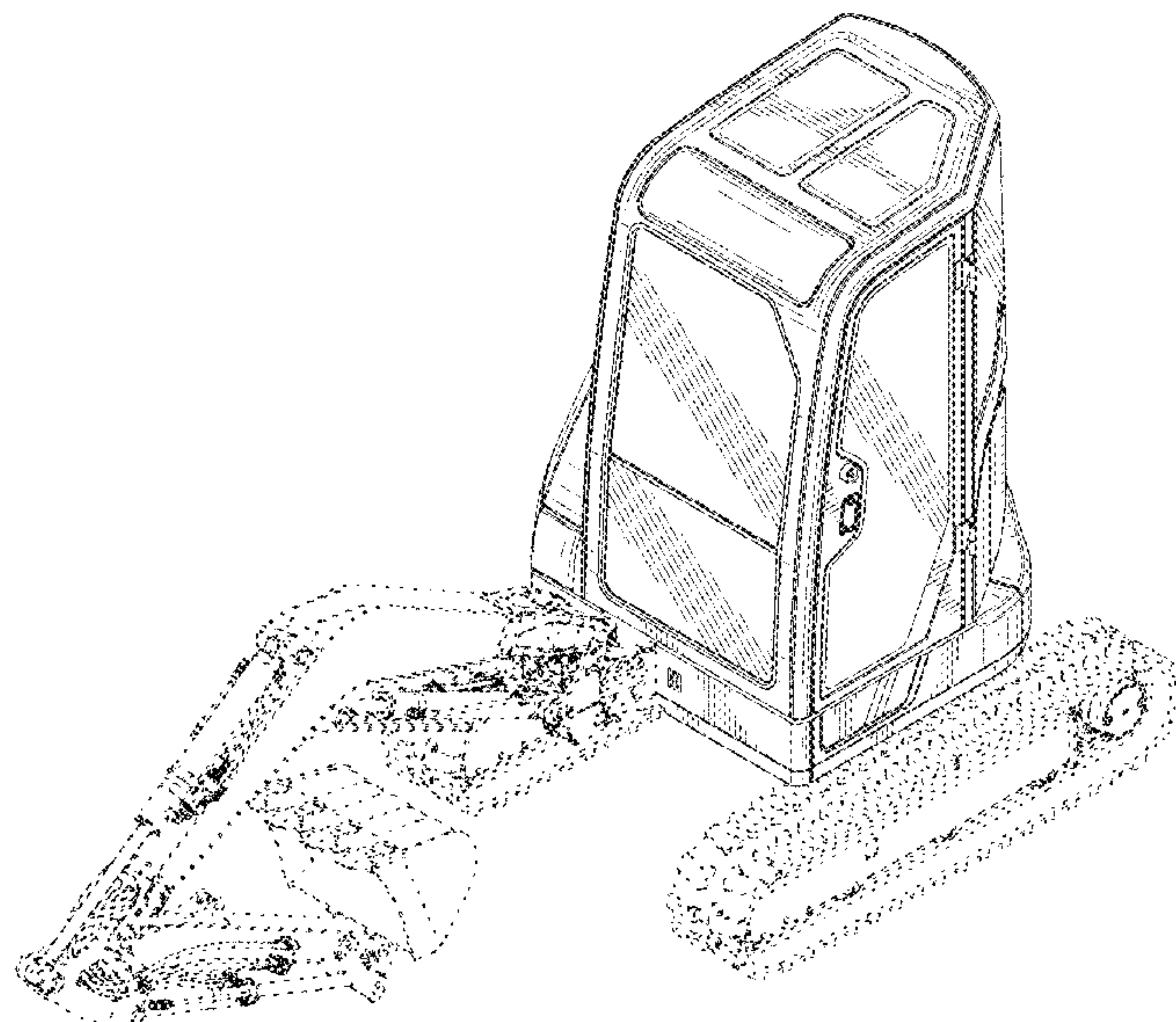
The ornamental design for an excavator, as shown and described.

DESCRIPTION

FIG. 1 is right view of an excavator of our new design.
FIG. 2 is a left view thereof.
FIG. 3 is a front view thereof.
FIG. 4 is a rear view thereof.
FIG. 5 is an upper, left, rear perspective view thereof.
FIG. 6 is an upper, right, rear perspective view thereof.
FIG. 7 is an upper, right, front perspective view thereof.
FIG. 8 is an upper, left, front perspective view thereof; and,
FIG. 9 is a top view thereof.

The ornamental design which is claimed is shown in solid lines in the drawings. The broken lines in the drawings illustrate unclaimed portions of the excavator and form no part of the claimed design.

1 Claim, 9 Drawing Sheets



(56)

References Cited

U.S. PATENT DOCUMENTS

D830,422 S	*	10/2018	Colclough	D15/24
D830,426 S	*	10/2018	Colclough	D15/25
D835,160 S	*	12/2018	Jilbert	D15/25
D842,344 S	*	3/2019	Okuyama	D15/23
D849,062 S	*	5/2019	Jilbert	D15/25
D855,082 S	*	7/2019	Okuyama	D15/25
D855,660 S	*	8/2019	Jilbert	D15/25
D866,616 S	*	11/2019	Jilbert	D15/30

* cited by examiner

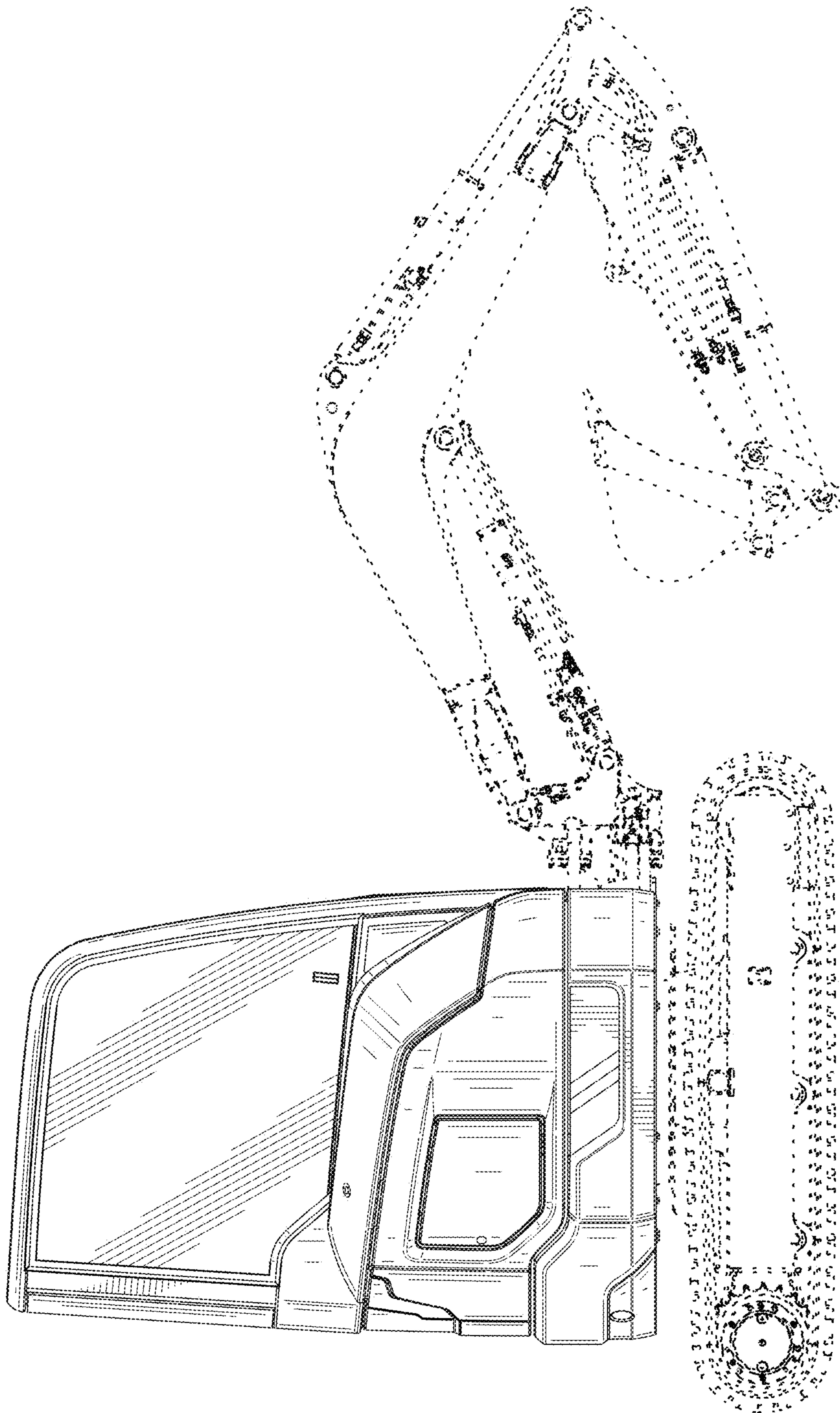


FIG. 1

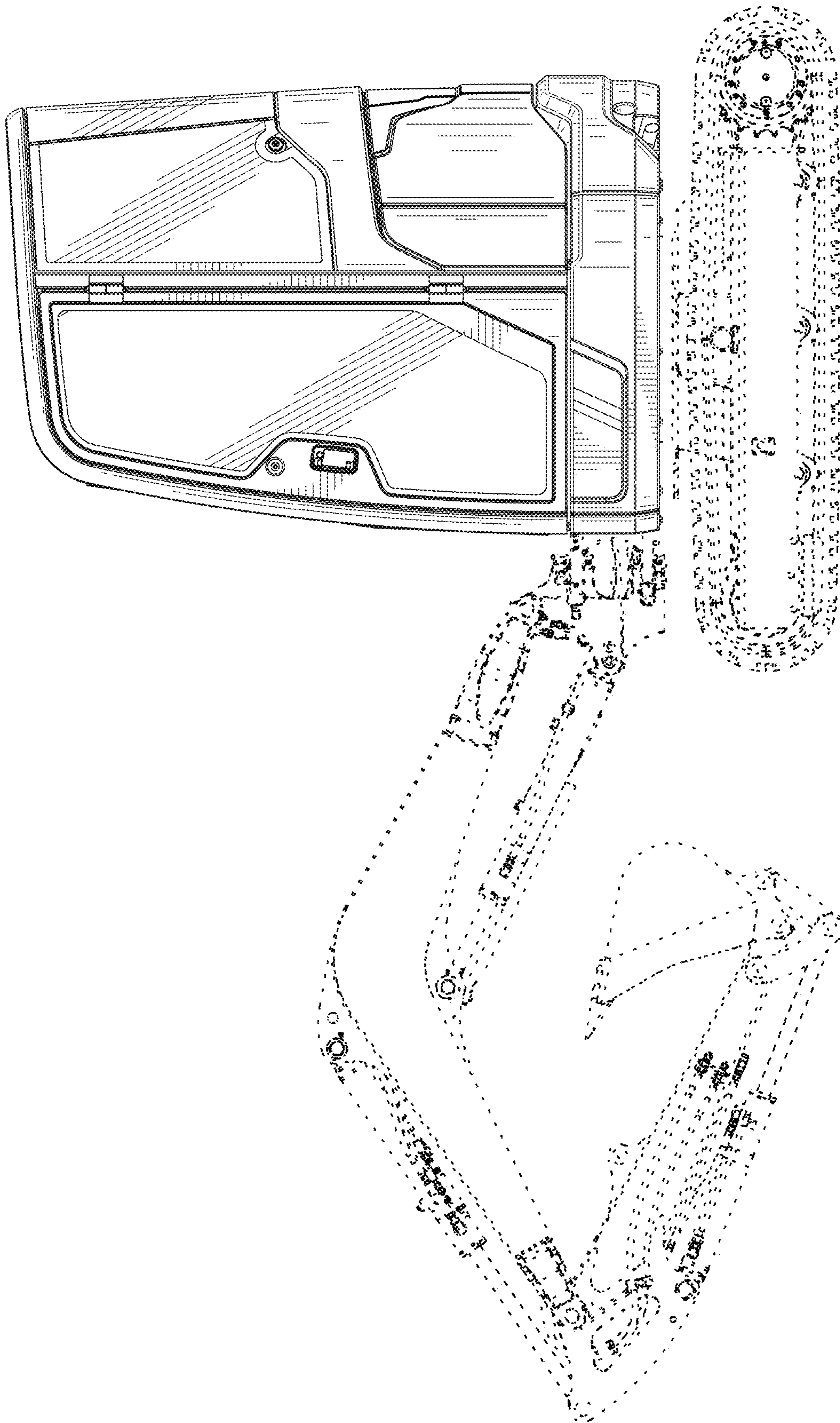


FIG. 2

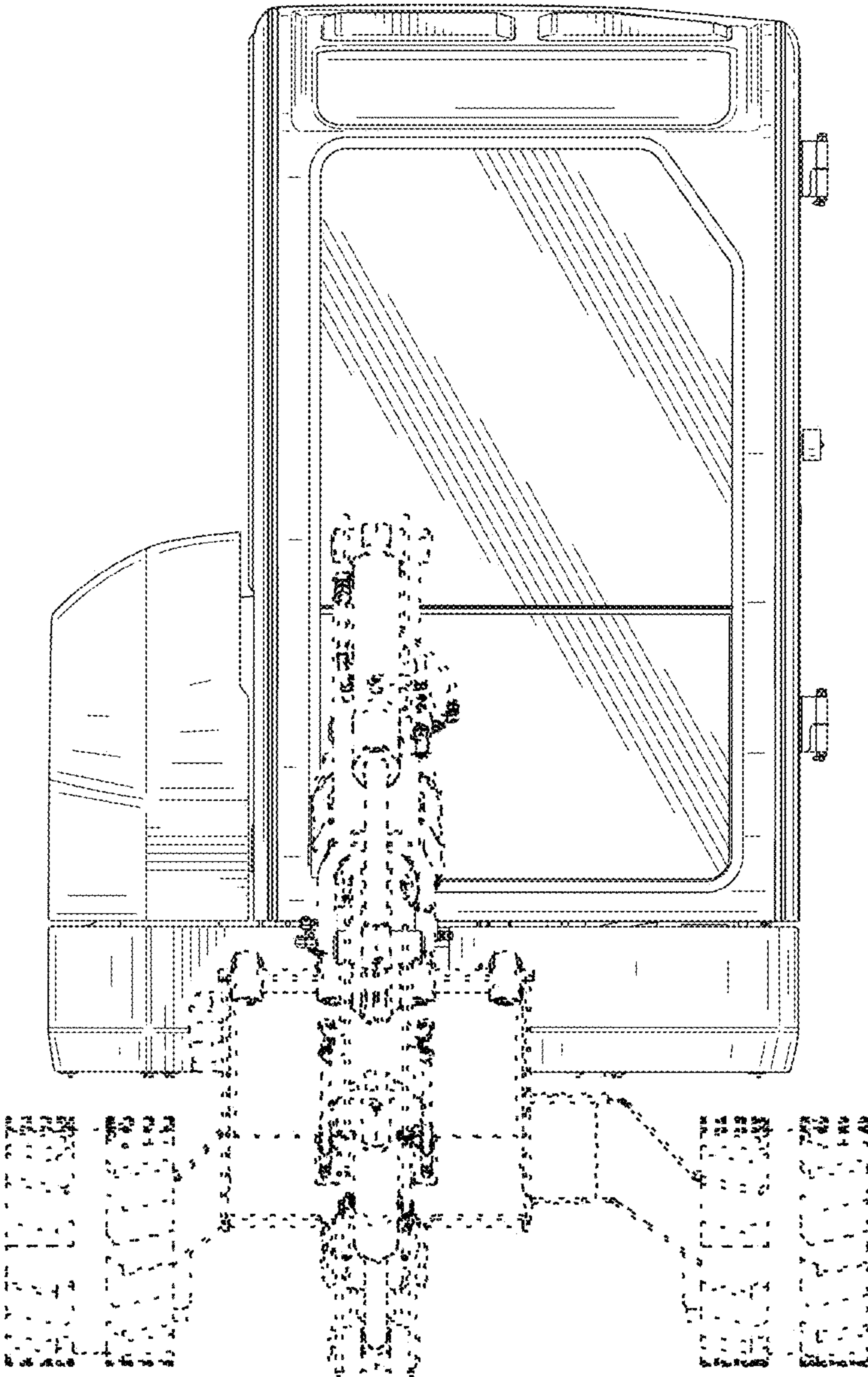


FIG. 3

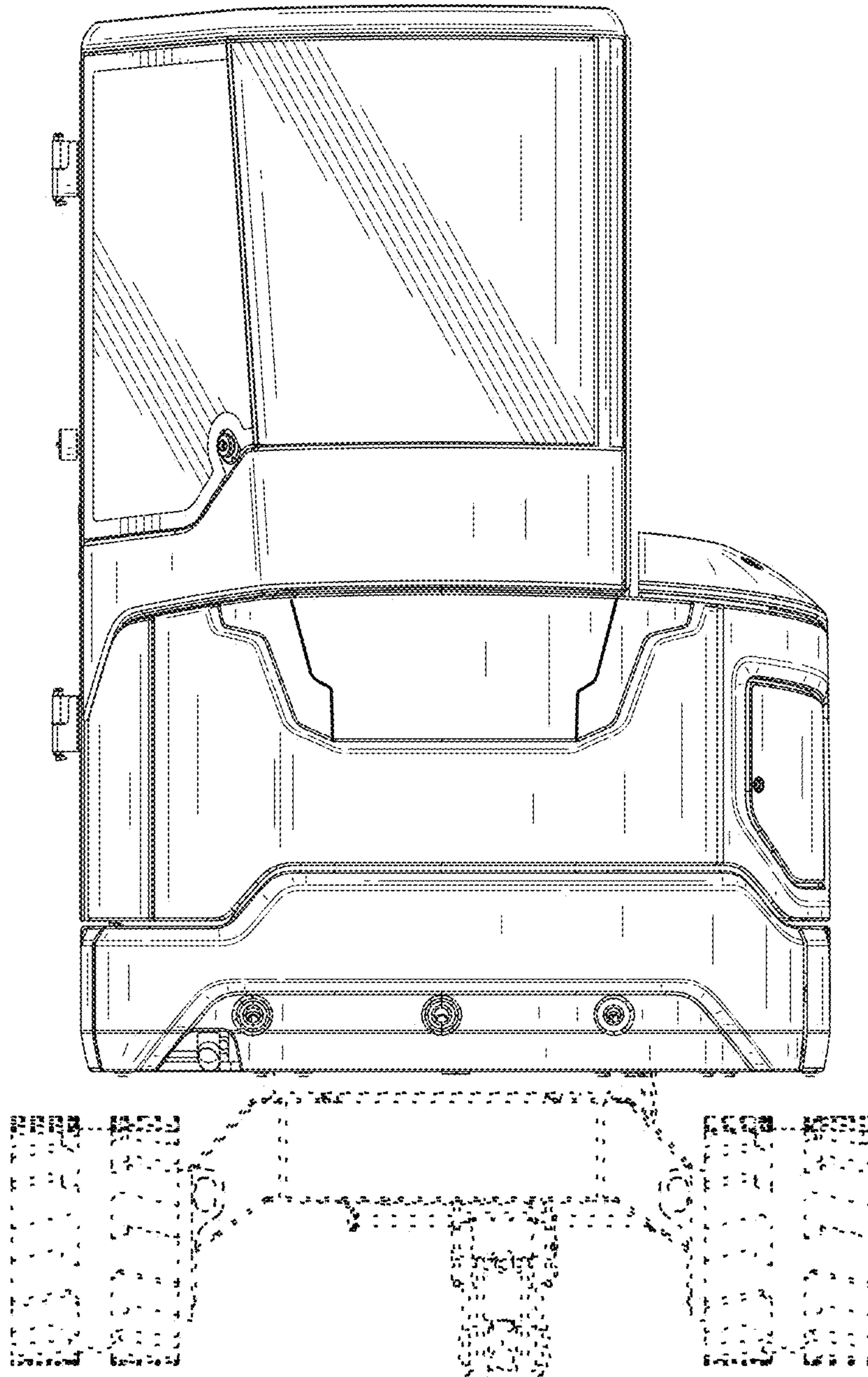


FIG. 4

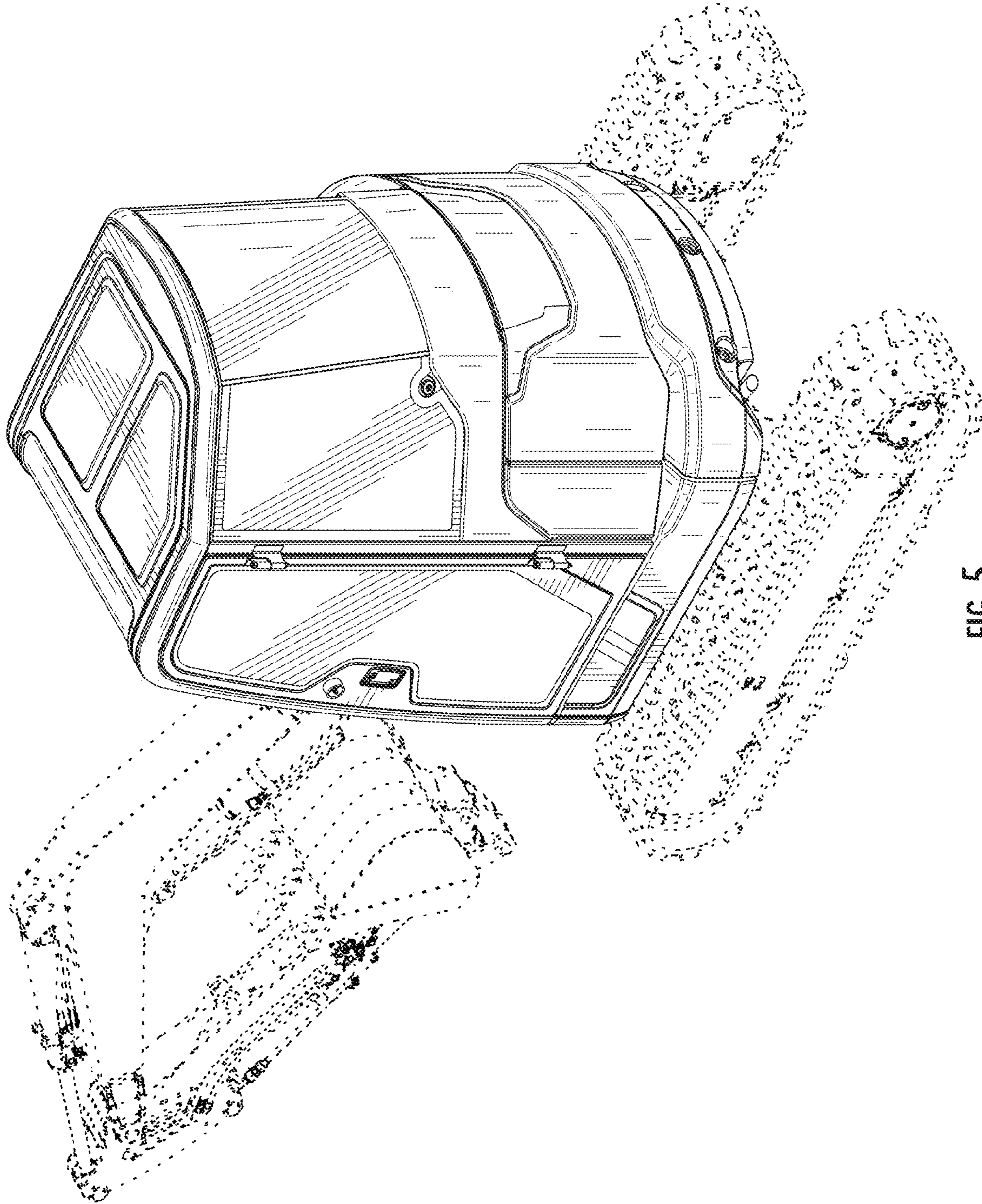


FIG. 5

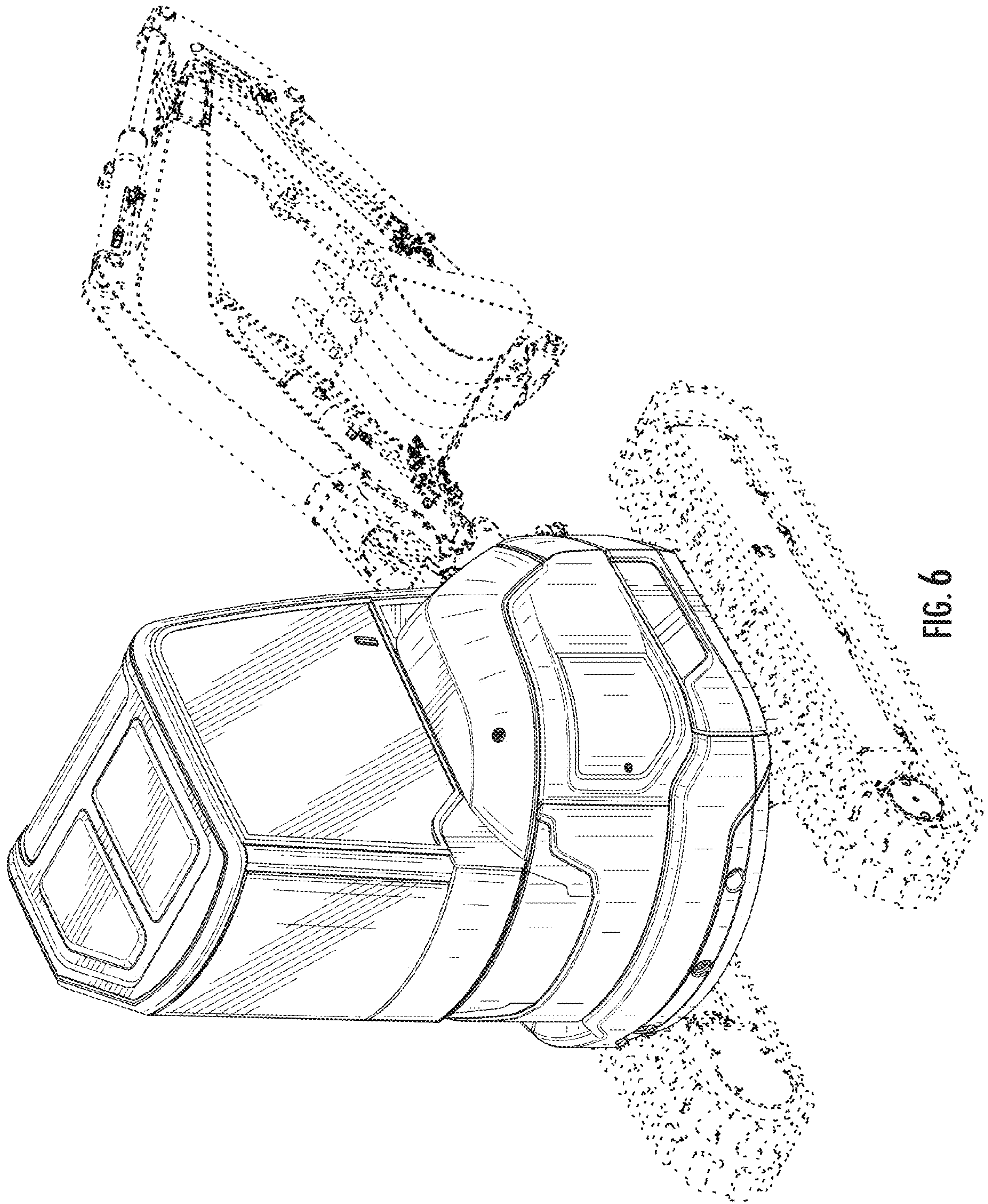


FIG. 6

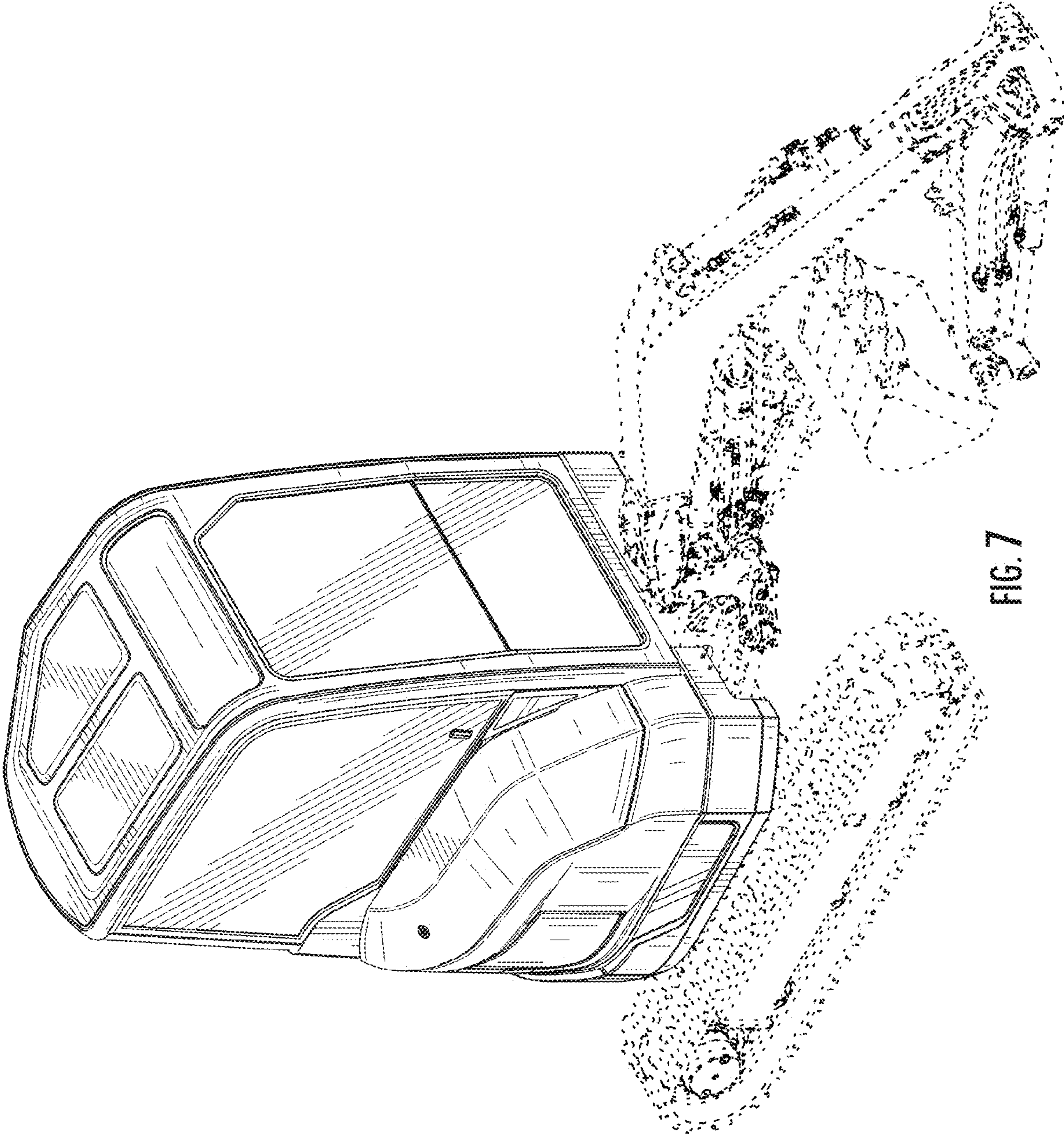


FIG. 7

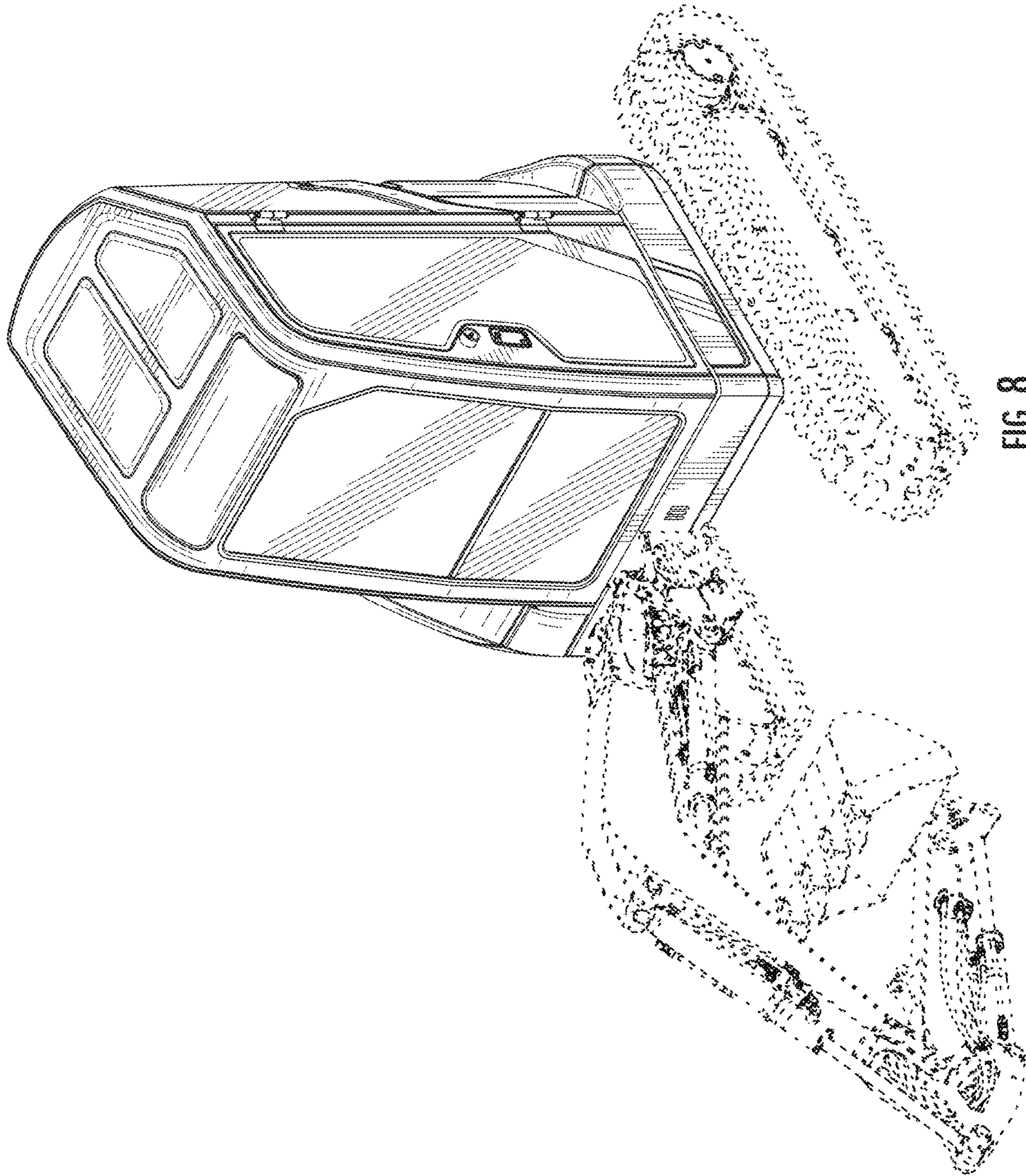


FIG. 8

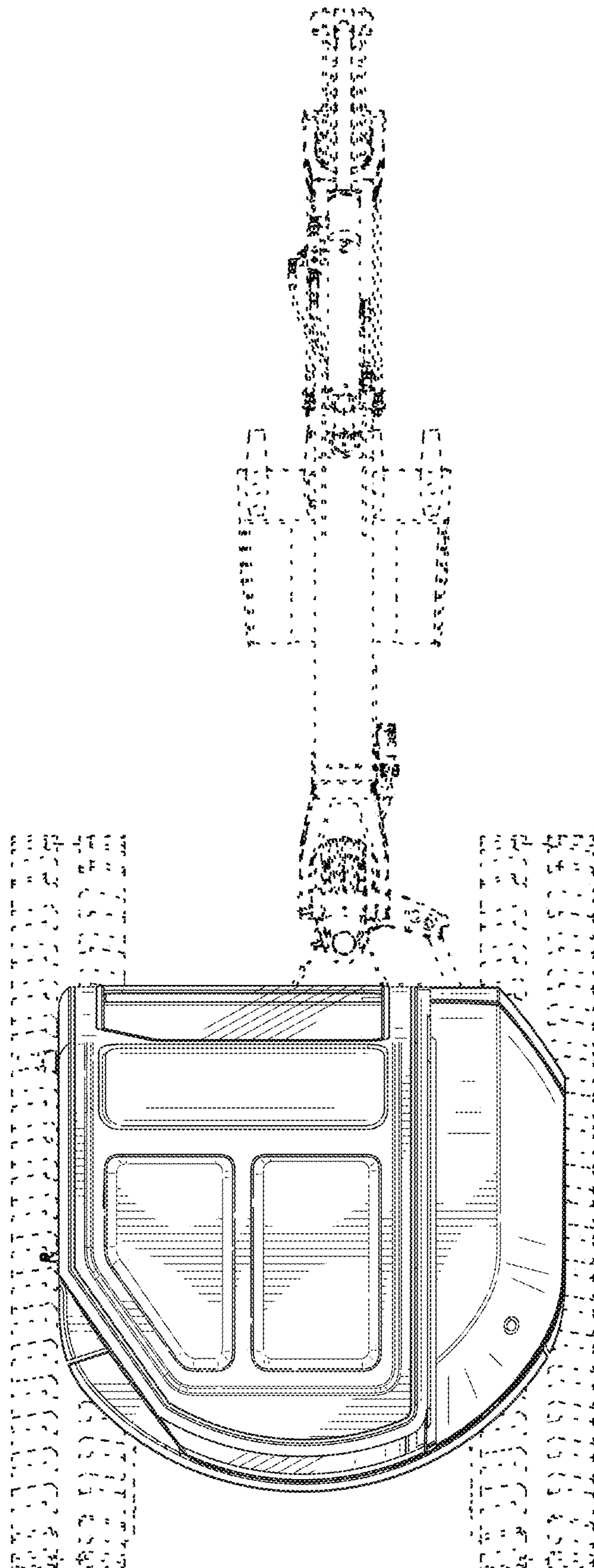


FIG. 9