



US00D901548S

(12) **United States Design Patent** (10) **Patent No.:** **US D901,548 S**  
**Mossman et al.** (45) **Date of Patent:** **\*\* Nov. 10, 2020**

(54) **DIVIDER**

FOREIGN PATENT DOCUMENTS

(71) Applicant: **Deere & Company**, Moline, IL (US)

CN 302092321 S 9/2012  
CN 302220180 S 12/2012

(72) Inventors: **Michael W. Mossman**, Silvis, IL (US);  
**Dhananjay Rajopadhye**, Pune (IN);  
**Vivek Vedpathak**, Pune (IN)

OTHER PUBLICATIONS

(73) Assignee: **DEERE & COMPANY**, Moline, IL (US)

Deere & Company, Grain Harvesting Combines and Front End Equipment, Brochure, Oct. 2018.

(Continued)

(\*\*) Term: **15 Years**

*Primary Examiner* — Mark A Goodwin

(21) Appl. No.: **29/712,588**

(74) *Attorney, Agent, or Firm* — Klintworth & Rozenblat IP LLP

(22) Filed: **Nov. 8, 2019**

(30) **Foreign Application Priority Data**

(57) **CLAIM**

May 9, 2019 (EM) ..... 006435152

The ornamental design for a divider, as shown and described.

(51) **LOC (12) Cl.** ..... **15-03**

(52) **U.S. Cl.**  
USPC ..... **D15/28**

(58) **Field of Classification Search**

USPC ..... D15/10-33; 56/119, 94, DIG. 24  
CPC ..... A01D 45/021; A01D 45/02; A01D 45/00;  
A01D 45/028; A01D 45/30; A01D  
45/025; A01D 75/00; A01D 75/02; A01D  
43/082

See application file for complete search history.

**DESCRIPTION**

(56) **References Cited**

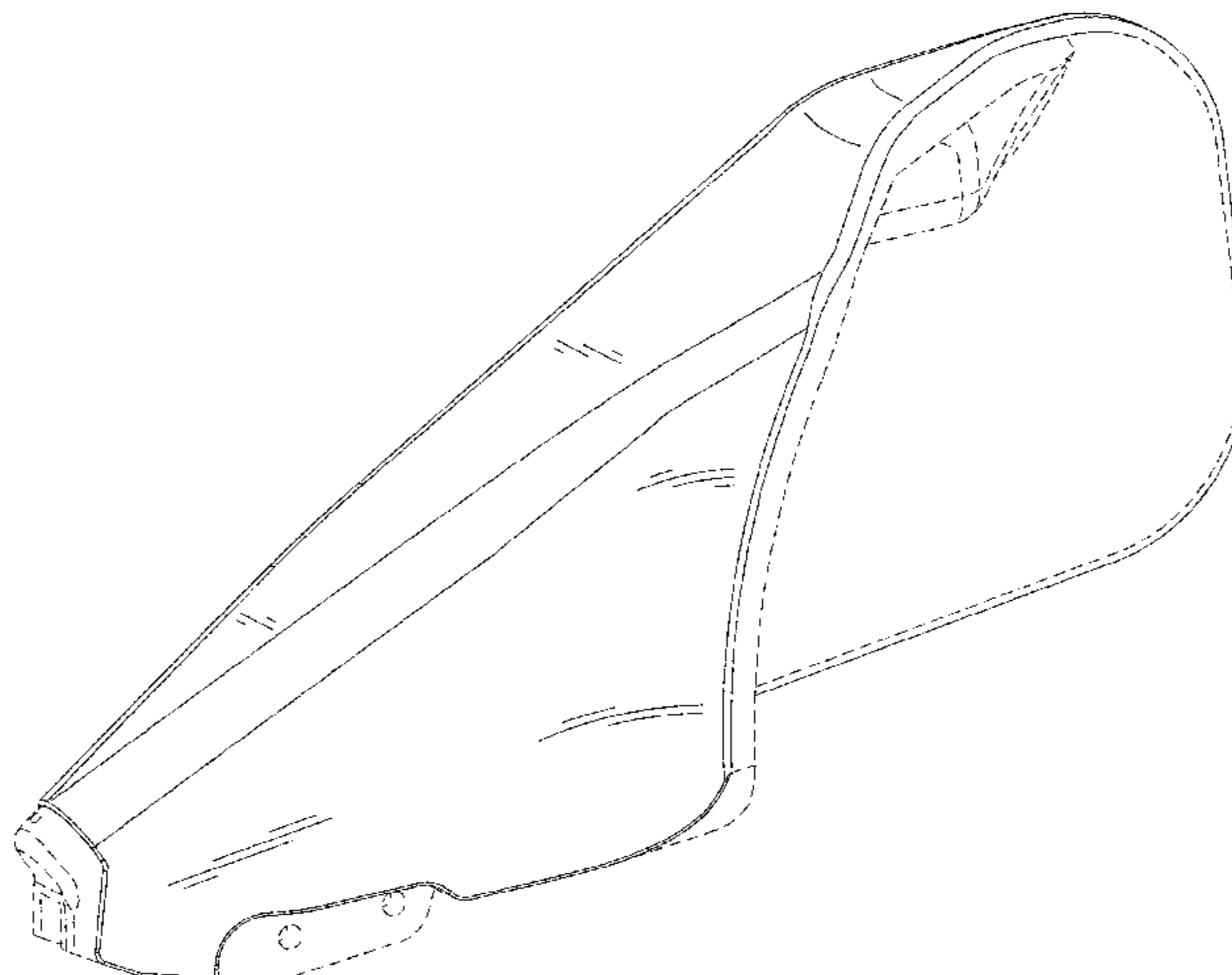
U.S. PATENT DOCUMENTS

2,440,791 A \* 5/1948 Welty ..... A01D 45/021  
56/16.4 R  
3,110,314 A \* 11/1963 Roberts ..... A01D 45/02  
460/42  
3,241,299 A \* 3/1966 Sutton ..... A01D 45/021  
56/119  
3,520,121 A \* 7/1970 Ashton ..... A01D 45/021  
56/106  
D222,377 S \* 10/1971 Newton ..... D15/28  
D227,391 S \* 6/1973 Lawrence ..... D15/28

FIG. 1 is a perspective view of a divider according to our new design;  
FIG. 2 is a first side elevational view thereof;  
FIG. 3 is a second side elevational view thereof;  
FIG. 4 is a first end elevational view thereof;  
FIG. 5 is a second end elevational view thereof;  
FIG. 6 is a first plan view thereof;  
FIG. 7 is a second plan view thereof;  
FIG. 8 is a perspective view of a divider according to another embodiment of our new design;  
FIG. 9 is a first side elevational view thereof;  
FIG. 10 is a second side elevational view thereof;  
FIG. 11 is a first end elevational view thereof;  
FIG. 12 is a second end elevational view thereof;  
FIG. 13 is a first plan view thereof; and,  
FIG. 14 is a second plan view thereof.  
The dash lines depict environment subject matter that forms no part of the claimed design.

(Continued)

**1 Claim, 10 Drawing Sheets**



(56)

References Cited

U.S. PATENT DOCUMENTS

4,160,355 A \* 7/1979 Blake ..... A01D 43/082  
56/98  
4,166,349 A \* 9/1979 Coenenberg ..... A01D 41/1278  
56/10.2 F  
4,397,134 A \* 8/1983 Lausch ..... A01D 43/082  
56/98  
4,502,270 A 3/1985 Shupert  
4,630,430 A \* 12/1986 Weeks ..... A01D 45/025  
56/105  
4,704,850 A \* 11/1987 Obermeier ..... A01D 45/021  
56/112  
4,999,983 A \* 3/1991 Britt ..... A01D 45/021  
56/107  
5,195,309 A \* 3/1993 Mossman ..... A01D 43/082  
56/105  
5,775,076 A \* 7/1998 Mossman ..... A01D 45/021  
56/119  
5,787,697 A \* 8/1998 Post ..... A01D 45/021  
56/119  
5,806,292 A \* 9/1998 Luecke ..... A01D 57/22  
56/119  
D399,854 S \* 10/1998 Pearson ..... D15/28  
5,910,092 A \* 6/1999 Bennett ..... A01D 45/021  
56/119  
6,247,297 B1 \* 6/2001 Becker ..... A01D 45/021  
56/119  
6,564,536 B1 \* 5/2003 Hoffer ..... A01D 41/147  
56/119  
6,625,969 B2 \* 9/2003 Glazik ..... A01D 63/04  
56/119  
6,901,730 B1 \* 6/2005 Buresch ..... A01D 63/04  
56/314  
7,073,316 B2 \* 7/2006 Resing ..... A01D 63/02  
56/119  
7,162,854 B2 \* 1/2007 Yeomans ..... A01B 73/005  
56/1  
7,240,471 B2 \* 7/2007 Mossman ..... A01D 45/021  
56/109  
7,373,767 B2 \* 5/2008 Calmer ..... A01D 45/025  
56/51  
7,658,058 B2 \* 2/2010 Pierson ..... A01D 41/14  
56/119

7,874,134 B1 \* 1/2011 Hoffman ..... A01D 45/023  
56/119  
7,913,480 B2 \* 3/2011 Christensen ..... A01D 45/021  
56/62  
8,196,381 B2 \* 6/2012 Herman ..... A01D 45/22  
56/312  
D739,881 S \* 9/2015 Walker ..... D15/28  
9,253,944 B2 \* 2/2016 Hulstein ..... A01D 41/06  
9,265,198 B2 \* 2/2016 Hulstein ..... A01D 45/021  
9,386,746 B2 \* 7/2016 Lohrentz ..... B29C 41/04  
9,603,304 B2 \* 3/2017 Lambertini ..... A01D 45/021  
9,642,307 B2 \* 5/2017 Long ..... A01D 63/04  
9,788,487 B2 \* 10/2017 Walker ..... A01D 57/22  
9,992,935 B2 \* 6/2018 Van Overschelde .. A01D 63/04  
10,194,588 B2 \* 2/2019 Lohrentz ..... A01D 45/021  
2006/0174603 A1 \* 8/2006 Mossman ..... A01D 45/021  
56/314  
2017/0086374 A1 3/2017 Engel

OTHER PUBLICATIONS

Claas of America, Improves Profitability with Increasing Revenue, Google Search, <https://www.serbia.claas.com/news-testimonials/current/claas-news/claas-improves-profitability-with-increasing-revenue-/1904264>, 2019.  
Claas of America, photograph of header, 2017.  
New Holland, Overview—Corn Heads Leading From the Front, Combines & Headers, <https://agriculture.newholland.com/nar/en-us/equipment/products/combines-and-headers/corn-heads>, 2019.  
Macdon Industries Ltd, D65 Draper Header, Draper Headers for Combine, <https://www.macdon.com/en/products/d65-draper-headers-for-combine/>, 2019.  
New Holland, Draper Heads—Overview Combines & Headers New Holland (US) NHAG, <https://agriculture.newholland.com/nar/en-us/equipment/products/combines-and-headers/draper-heads>, 2019.  
Case IH, Draper Heads Combine Harvester, Case IH 3100 Series II Draper Heads, <https://www.caseih.com/northamerica/en-us/products/harvesting/draper-heads>, Copyright 2020.  
Massey Ferguson, 9250 DynaFlex Draper Header, <http://www.masseyferguson.us/products/combine-harvesting/9250-dynaflex-draper-headers.html#0>, Copyright 2020.

\* cited by examiner

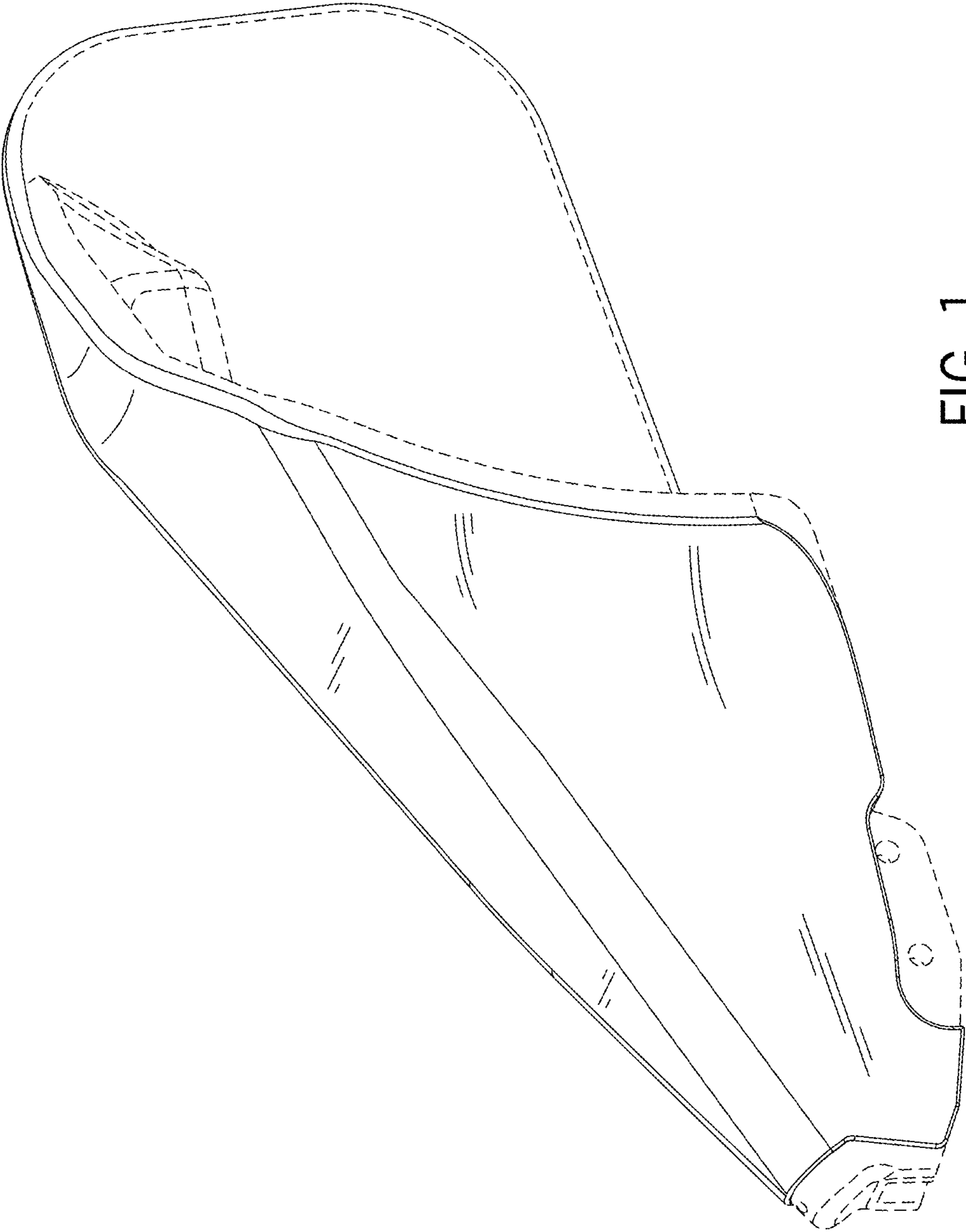


FIG. 1

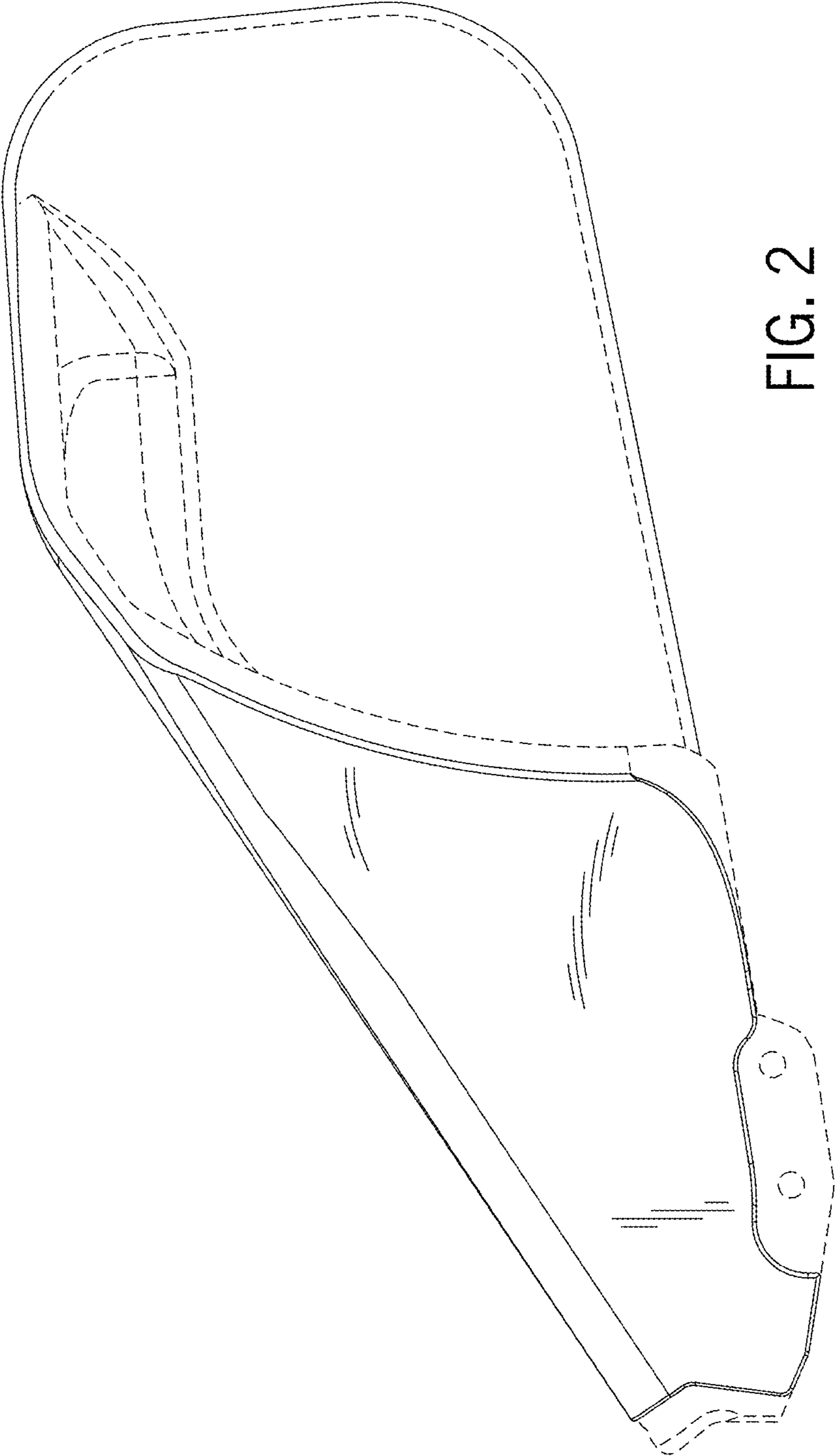


FIG. 2

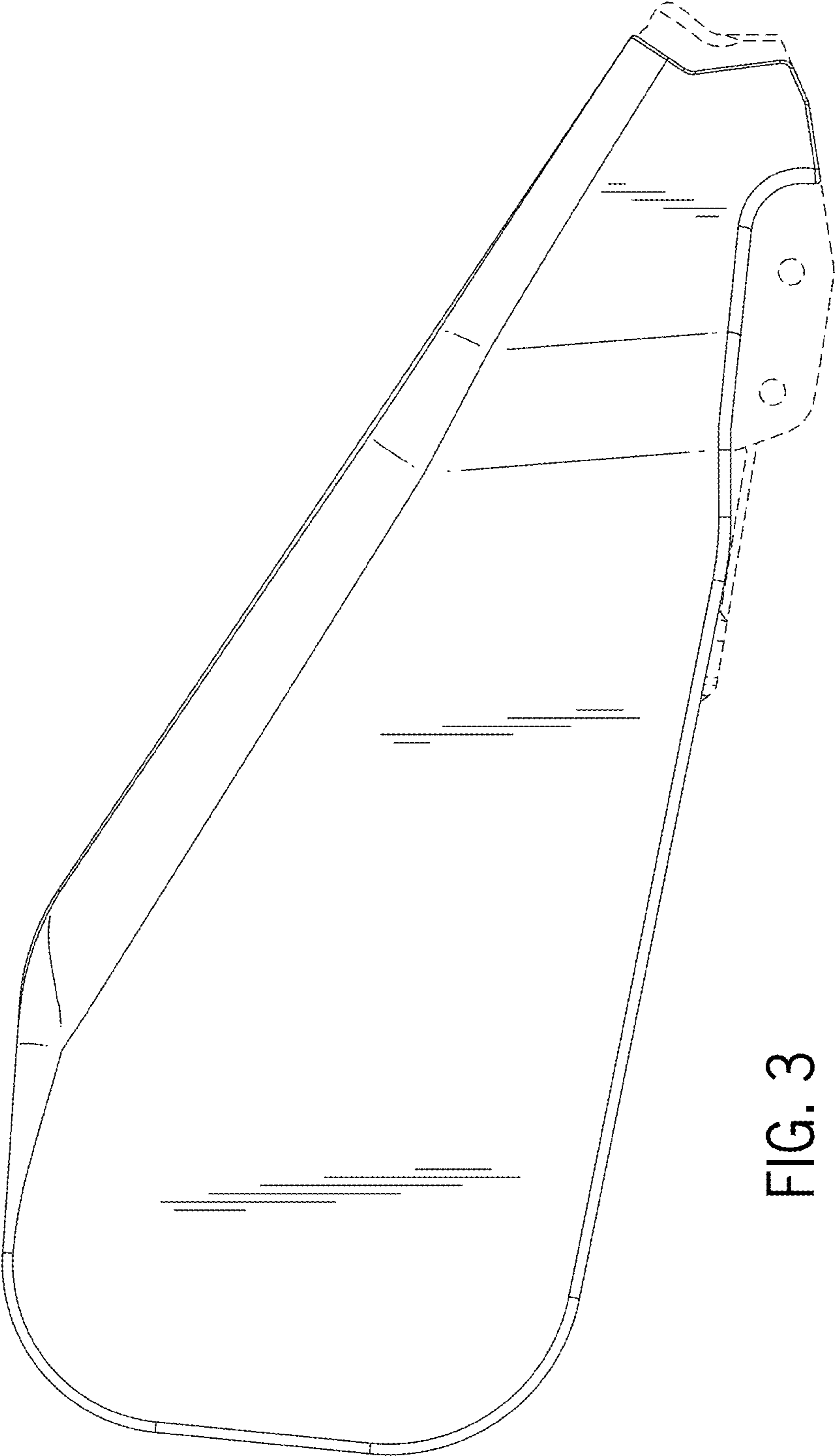


FIG. 3

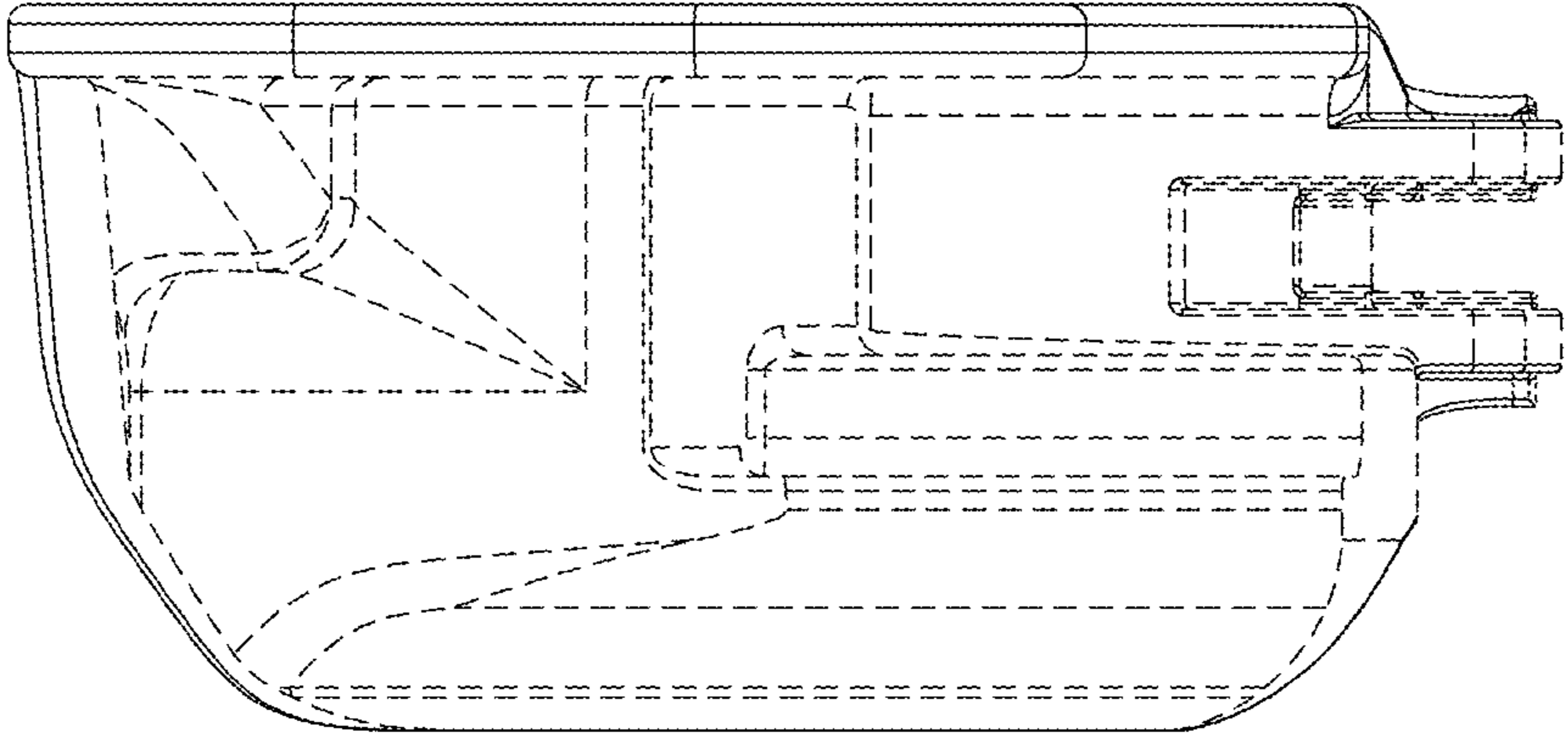


FIG. 5

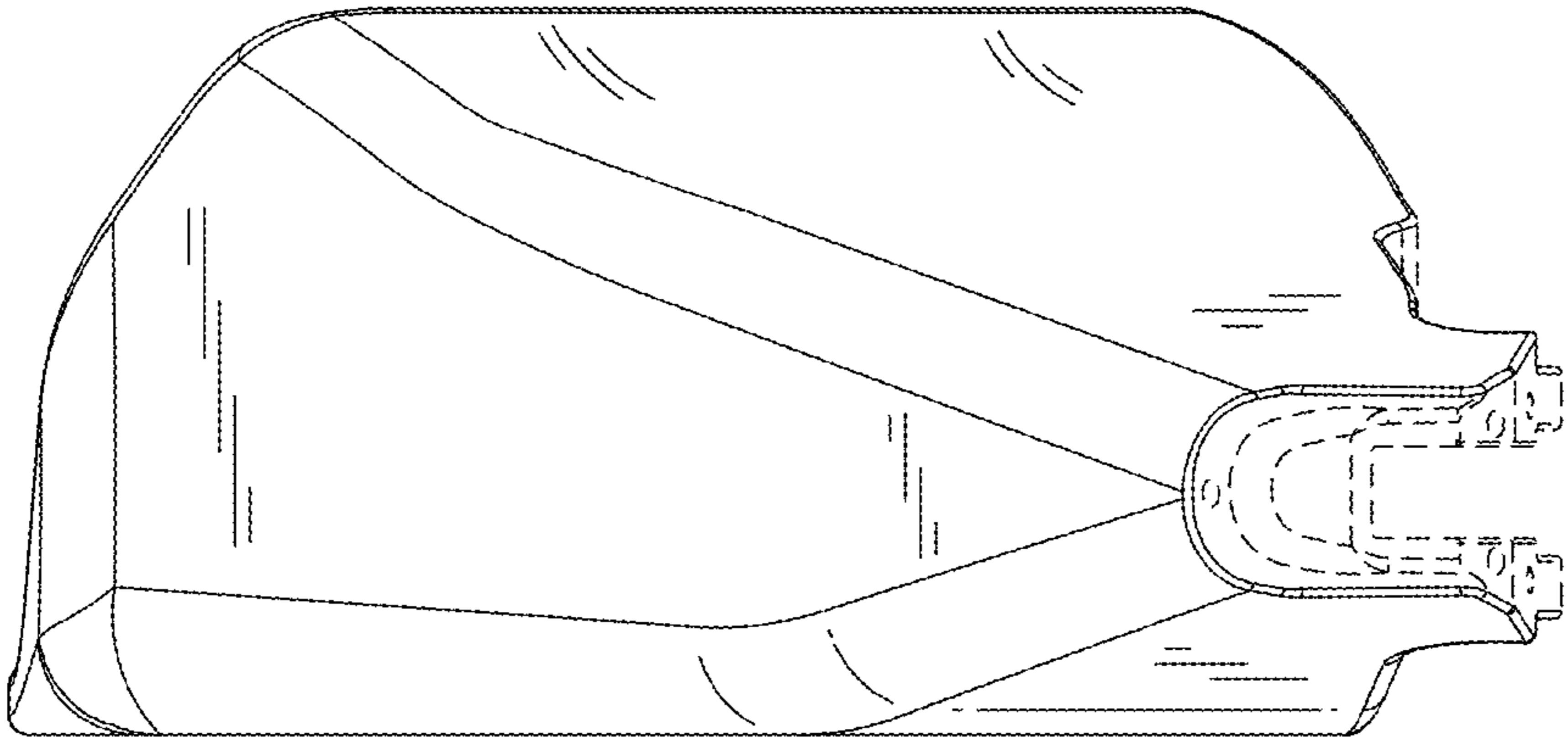


FIG. 4

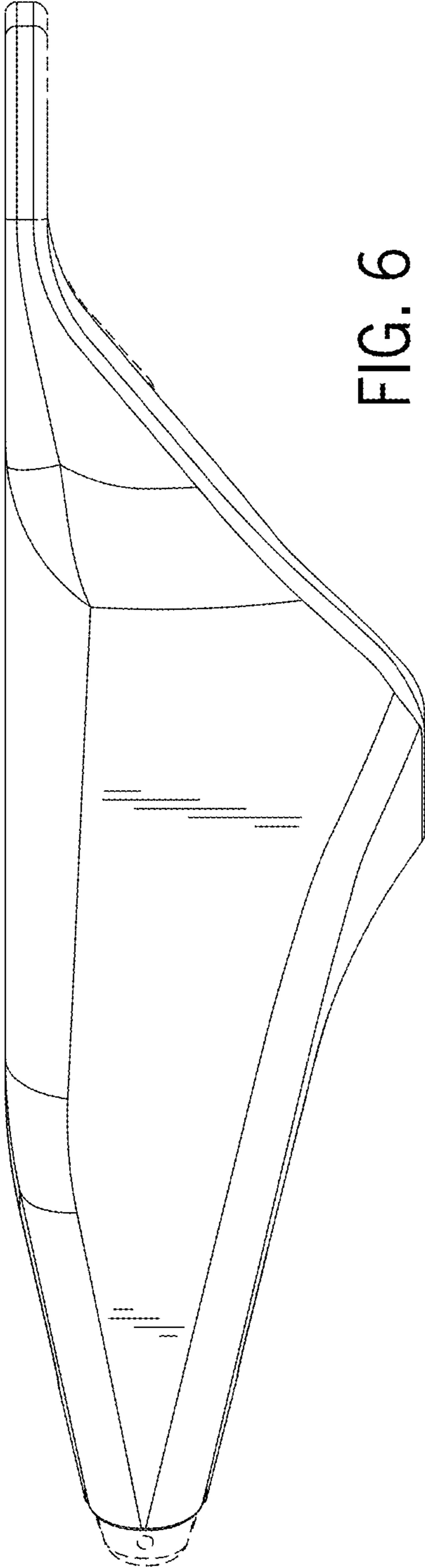


FIG. 6

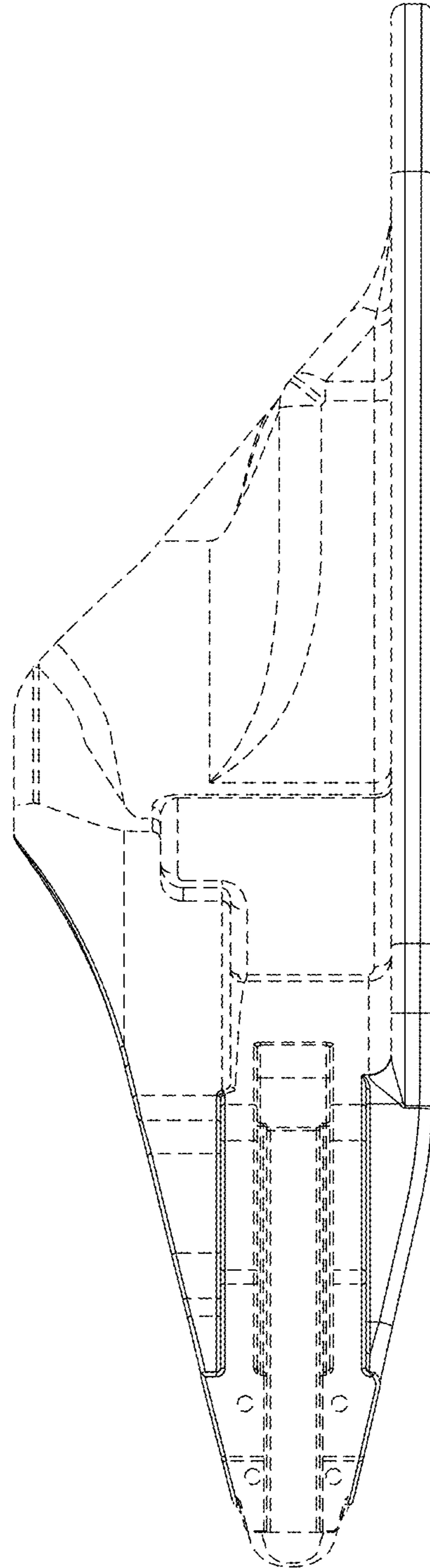


FIG. 7

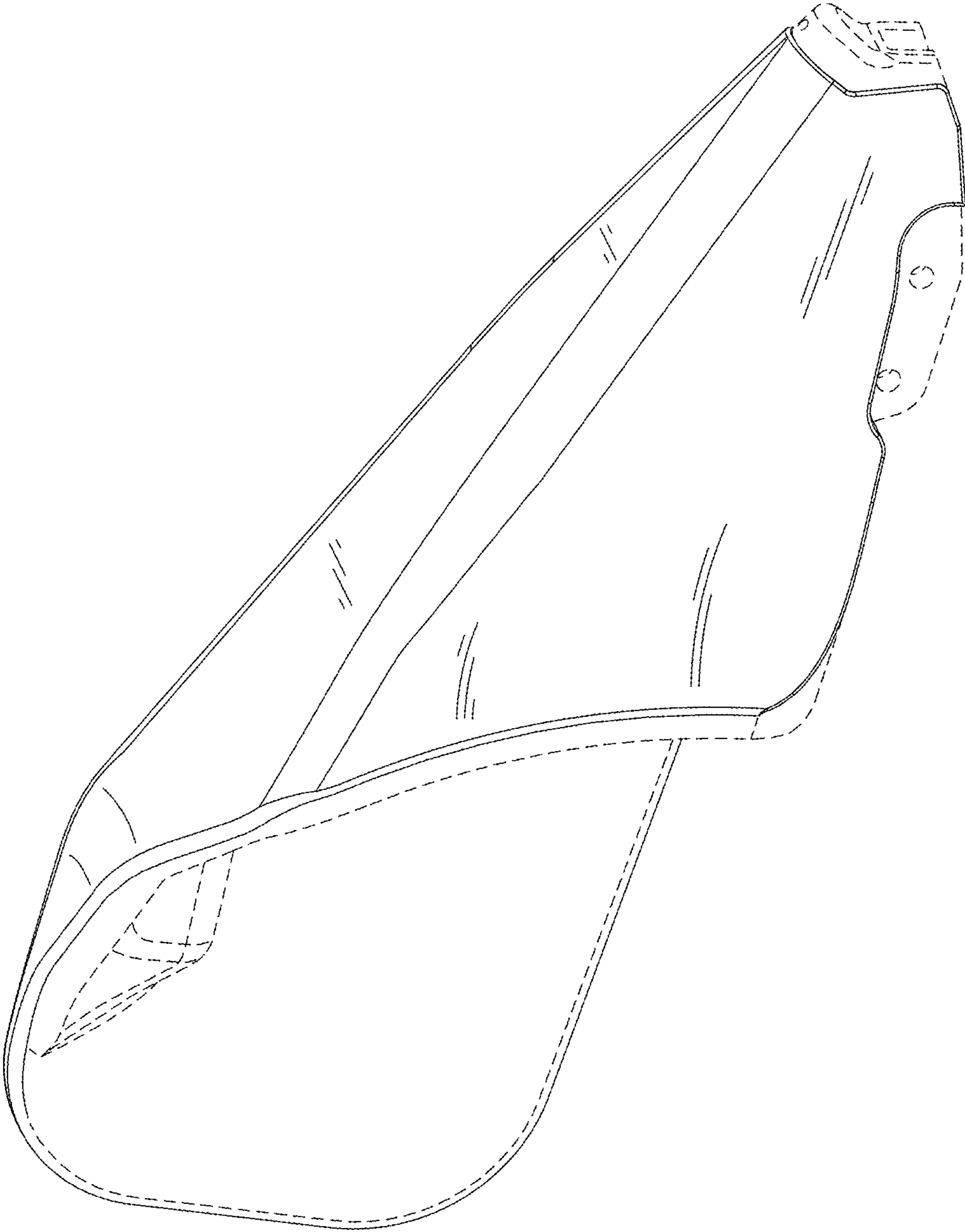


FIG. 8



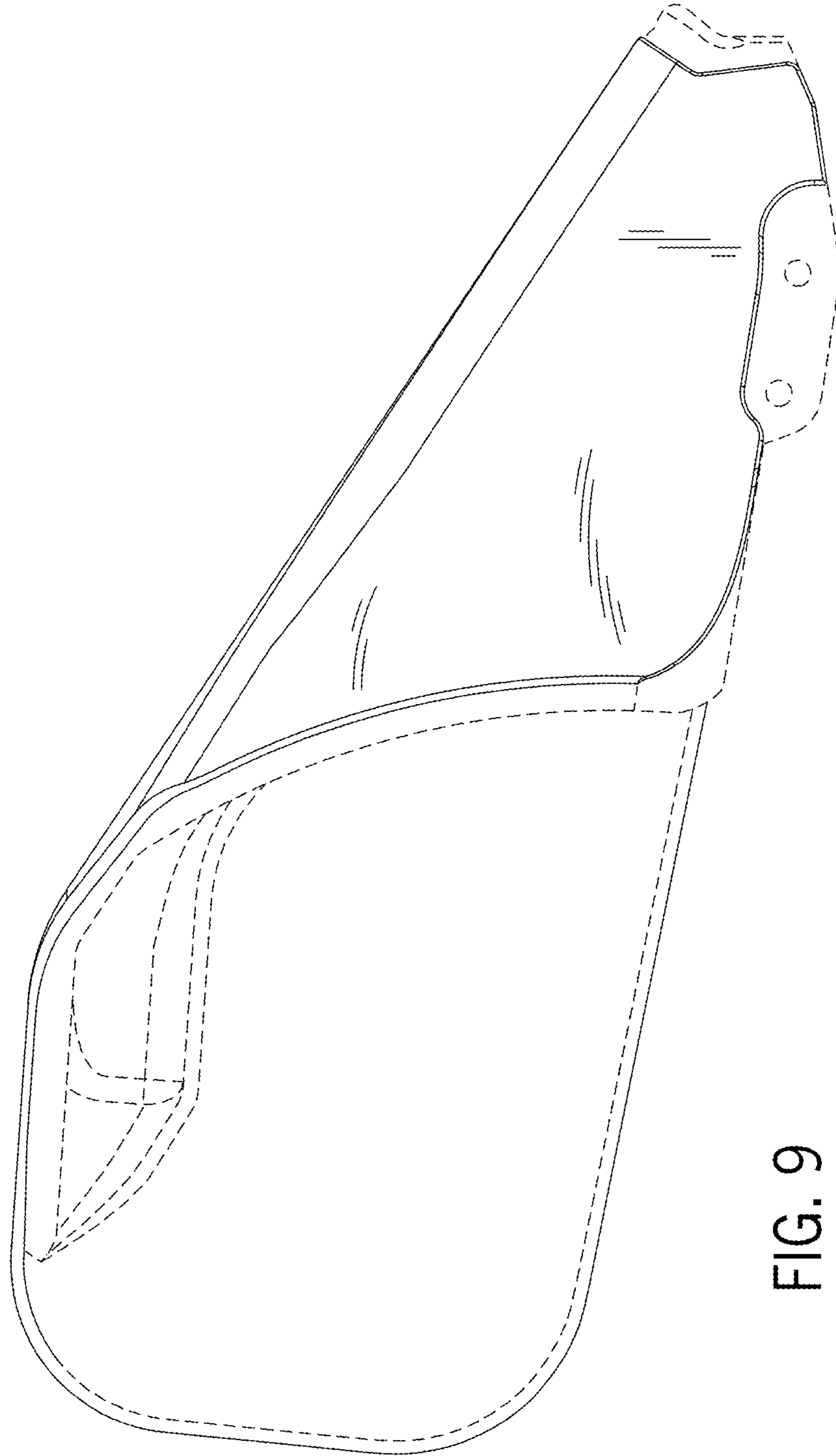


FIG. 9

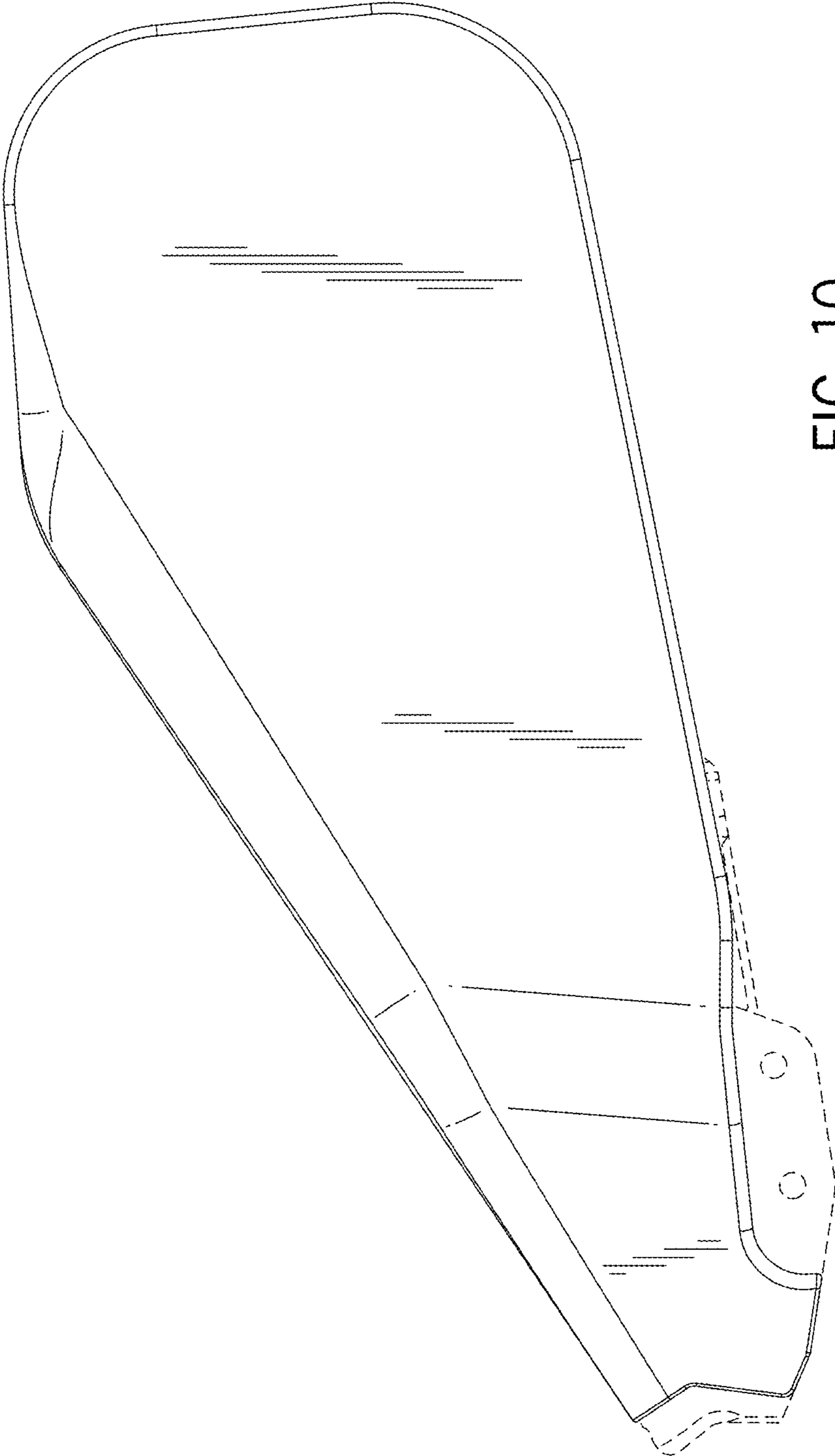


FIG. 10

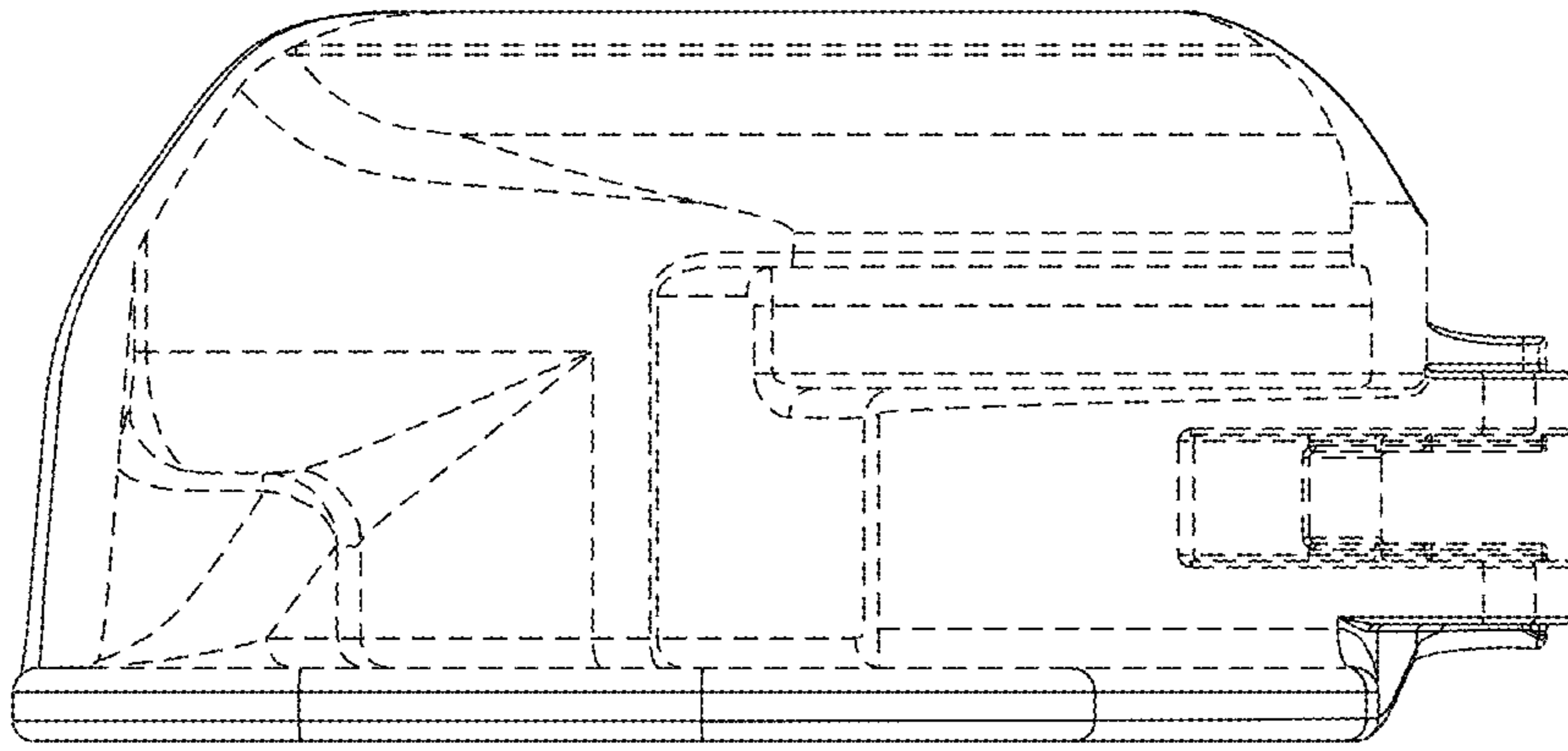


FIG. 12

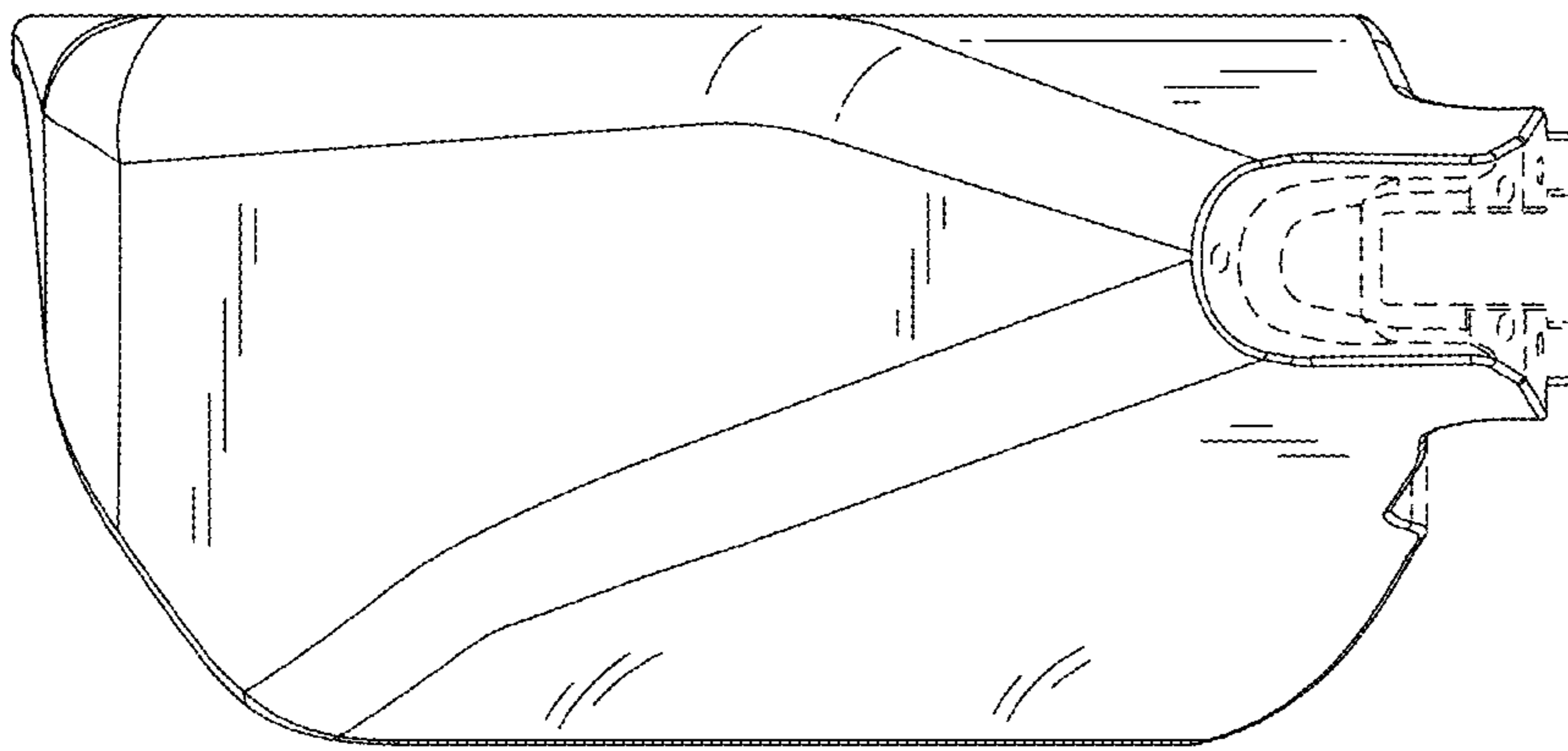


FIG. 11

