



US00D901547S

(12) **United States Design Patent** (10) **Patent No.:** **US D901,547 S**
Gade et al. (45) **Date of Patent:** **** Nov. 10, 2020**

(54) **EXHAUST COVER**

(71) Applicant: **Deere & Company**, Moline, IL (US)

(72) Inventors: **Abhijit Gade**, Pune (IN); **Piyush Choudhary**, Pune (IN); **Arlyn Wilcox**, Grundy Center, IA (US); **Yogesh K.**, Pune (IN); **Saurabh Gaur**, Pune (IN)

(73) Assignee: **DEERE & COMPANY**, Moline, IL (US)

(**) Term: **15 Years**

(21) Appl. No.: **29/693,080**

(22) Filed: **May 30, 2019**

(51) **LOC (12) Cl.** **15-03**

(52) **U.S. Cl.**
USPC **D15/28; D12/218**

(58) **Field of Classification Search**
USPC D12/174–177, 192, 194, 196; D15/10,
D15/22–26, 28, 31, 33, 14–18
(Continued)

(56) **References Cited**

U.S. PATENT DOCUMENTS

D579,842 S * 11/2008 Ren D12/194
D658,099 S * 4/2012 Marovič D12/194
(Continued)

OTHER PUBLICATIONS

John Deere, “9R/9RT/9RX Series Tractors Brochure” available at least as early as Mar. 2019 (33 pages, statement of relevance included).

Primary Examiner — Susan E Krakower

Assistant Examiner — Jerry Shiuan-Hua Hsu

(74) *Attorney, Agent, or Firm* — Michael Best & Friedrich LLP

(57) **CLAIM**

We claim the ornamental design for an exhaust cover, as shown and described.

DESCRIPTION

FIG. 1 is a right side view of a first embodiment for an exhaust cover according to the present invention, shown in a state of use.

FIG. 2 is a front, right side perspective view of the exhaust cover shown in FIG. 1.

FIG. 3 is a second front, right side perspective view of the exhaust cover shown in FIG. 1, enlarged for ease of illustration.

FIG. 4 is a top, right, rear side perspective view of the exhaust cover shown in FIG. 1, enlarged for ease of illustration.

FIG. 5 is a right, rear side perspective view of the exhaust cover shown in FIG. 1, enlarged for ease of illustration.

FIG. 6 is top, front, right side perspective view of exhaust cover shown in FIG. 1, removed from the environment for ease of illustration.

FIG. 7 is a front, elevational view of the exhaust cover shown in FIG. 1.

FIG. 8 is a rear, elevational view of the exhaust cover shown in FIG. 1.

FIG. 9 is a right side elevational view of the exhaust cover shown in FIG. 1.

FIG. 10 is a left side elevational view of the exhaust cover shown in FIG. 1.

FIG. 11 is a top plan view of the exhaust cover shown in FIG. 1.

FIG. 12 is a top, front, right side perspective view of a second embodiment of an exhaust cover.

FIG. 13 is a front, elevational view of the exhaust cover shown in FIG. 12.

FIG. 14 is a right side elevational view of the exhaust cover shown in FIG. 12.

FIG. 15 is a left side elevational view of the exhaust cover shown in FIG. 12.

FIG. 16 is a top plan view of the exhaust cover shown in FIG. 12.

FIG. 17 is a top, front, right side perspective view of a third embodiment of an exhaust cover.

(Continued)

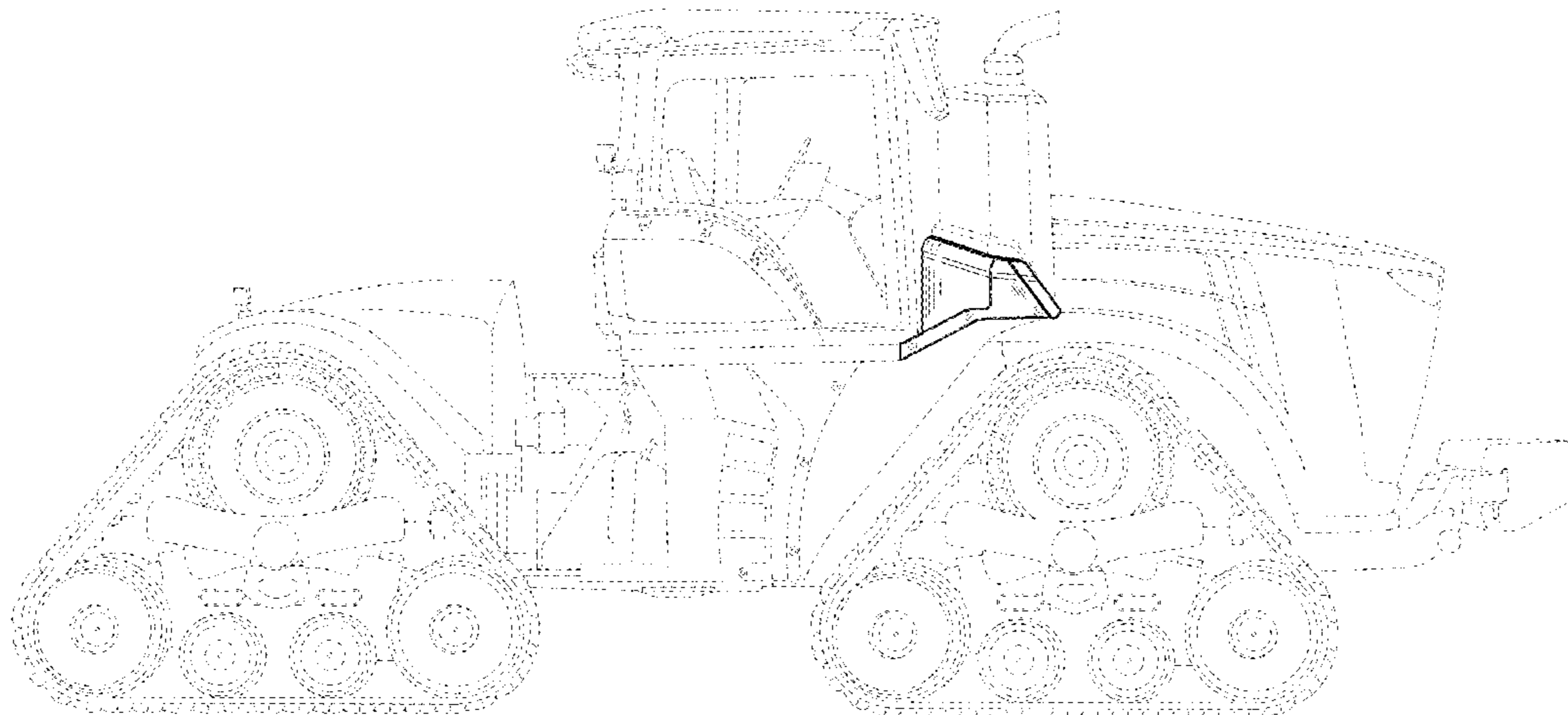


FIG. 18 is a front elevational view the exhaust cover shown in FIG. 17.

FIG. 19 is a rear elevational view of the exhaust cover shown in FIG. 17.

FIG. 20 is a right side elevational of the exhaust cover shown in FIG. 17.

FIG. 21 is a second left side elevational of the exhaust cover shown in FIG. 17; and,

FIG. 22 is a top plan view of the exhaust cover shown in FIG. 17.

The broken lines of FIGS. 1-5, illustrating a vehicle, show environmental structure that forms no part of the claimed design. The dash-dot broken lines depict boundary lines that form no part of the claimed design. All remaining broken lines illustrate portions of the exhaust cover that form no part of the claimed design.

1 Claim, 22 Drawing Sheets

(58) **Field of Classification Search**

CPC ... B60R 21/131; B60R 21/203; B60R 21/215; B60R 21/2155; F01N 3/2066; F01N 13/1805; B60K 11/00; B60K 11/08

See application file for complete search history.

(56)

References Cited

U.S. PATENT DOCUMENTS

D668,691	S *	10/2012	Ewringmann	D15/28
D681,064	S *	4/2013	Higashikawa	D15/17
D681,686	S *	5/2013	Higashikawa	D15/17
D681,687	S *	5/2013	Higashikawa	D15/17
D683,369	S *	5/2013	Takagi	D15/17
D683,370	S *	5/2013	Takagi	D15/17
D687,075	S *	7/2013	Richard	D15/28
D700,631	S *	3/2014	Novacek	D15/17
D723,591	S *	3/2015	Boeshans	D15/17
D753,730	S *	4/2016	Margutti	D15/23
D799,556	S *	10/2017	Atterbury	D15/17
D821,449	S *	6/2018	Atterbury	D15/17
D852,693	S *	7/2019	Galib	D12/177
D877,206	S *	3/2020	Jackson	D15/28
2007/0056786	A1 *	3/2007	Fukazawa	B60R 21/131 180/89.12
2011/0283687	A1 *	11/2011	Dobler	F01N 13/1805 60/299
2014/0124283	A1 *	5/2014	Novacek	F01N 3/2066 180/309

* cited by examiner

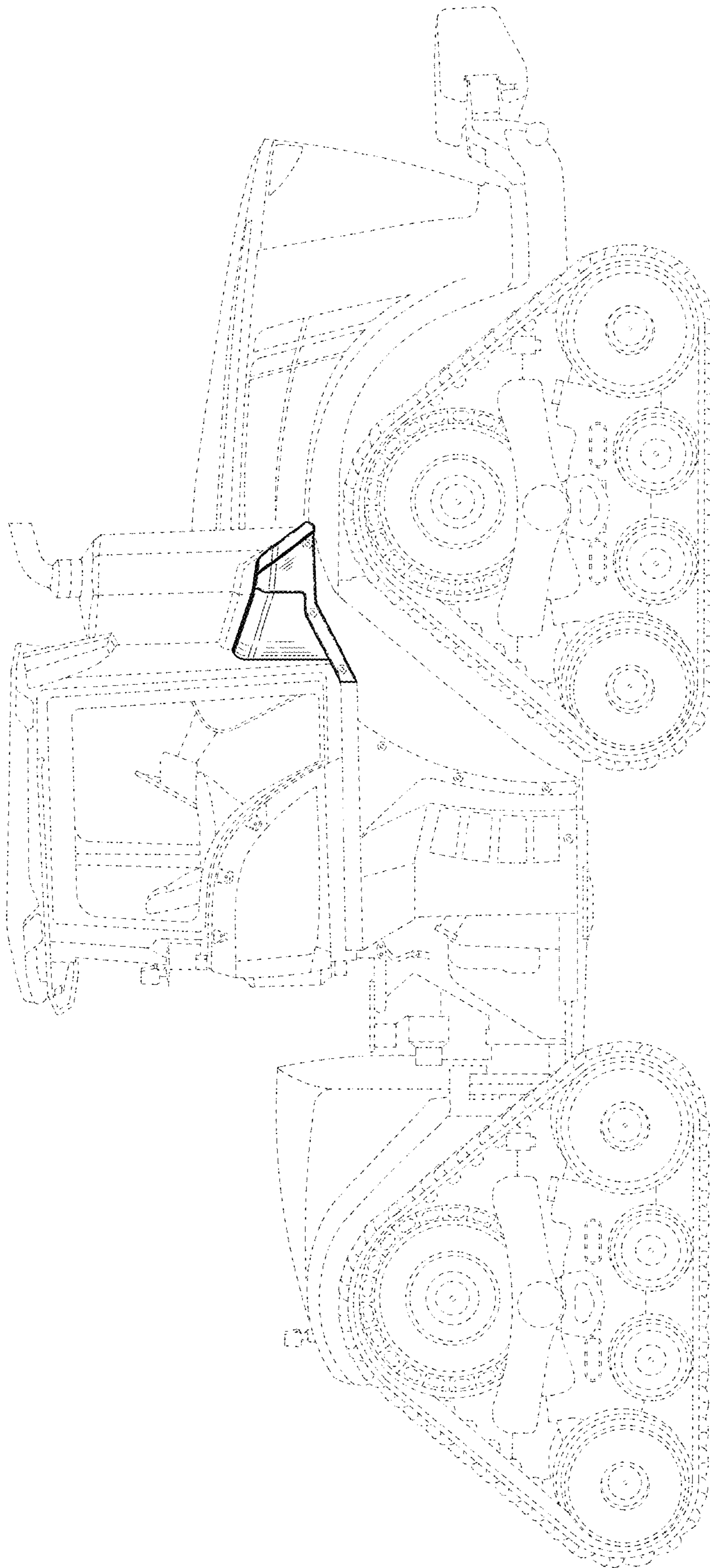


FIG. 1

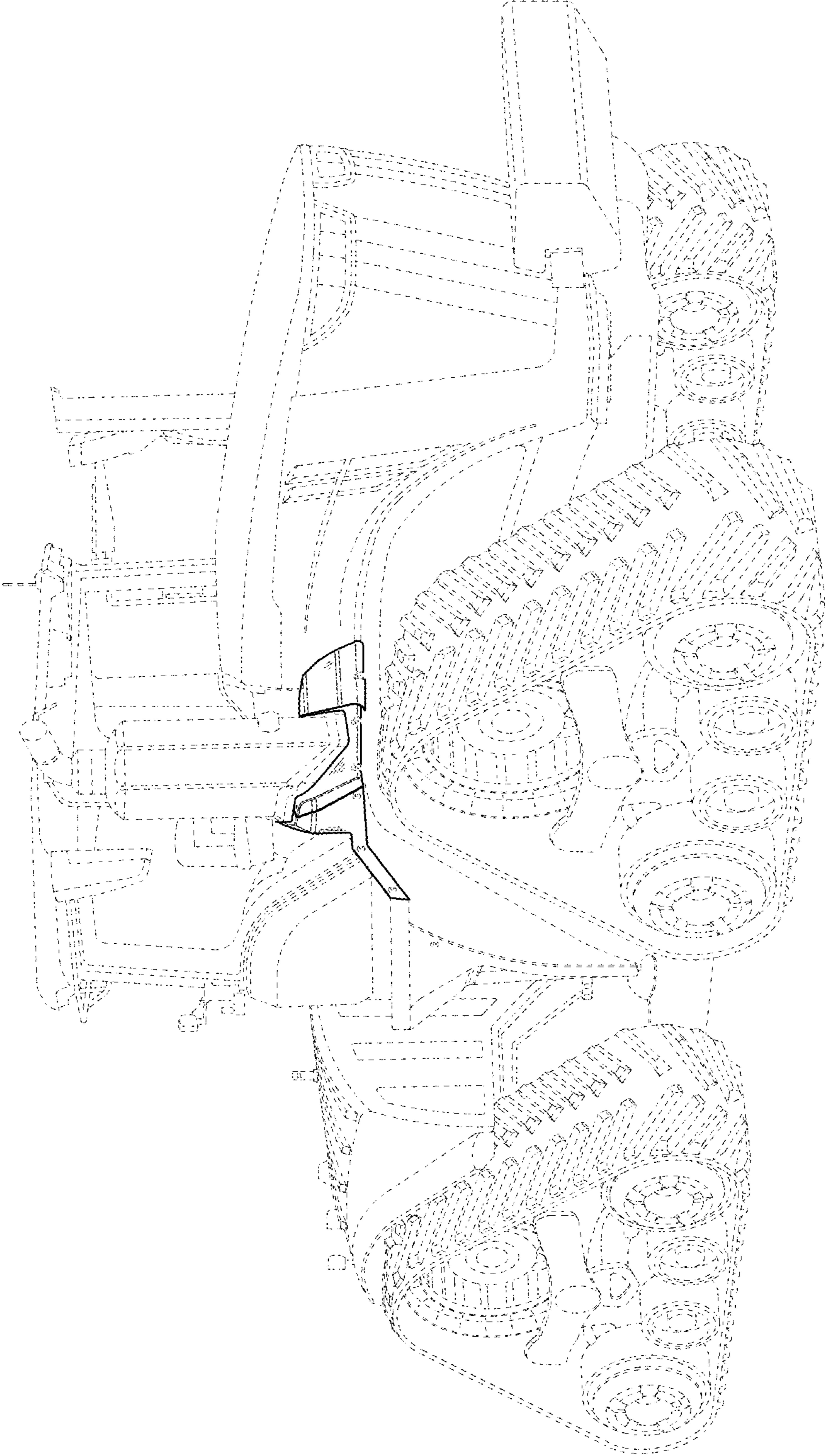


FIG. 2

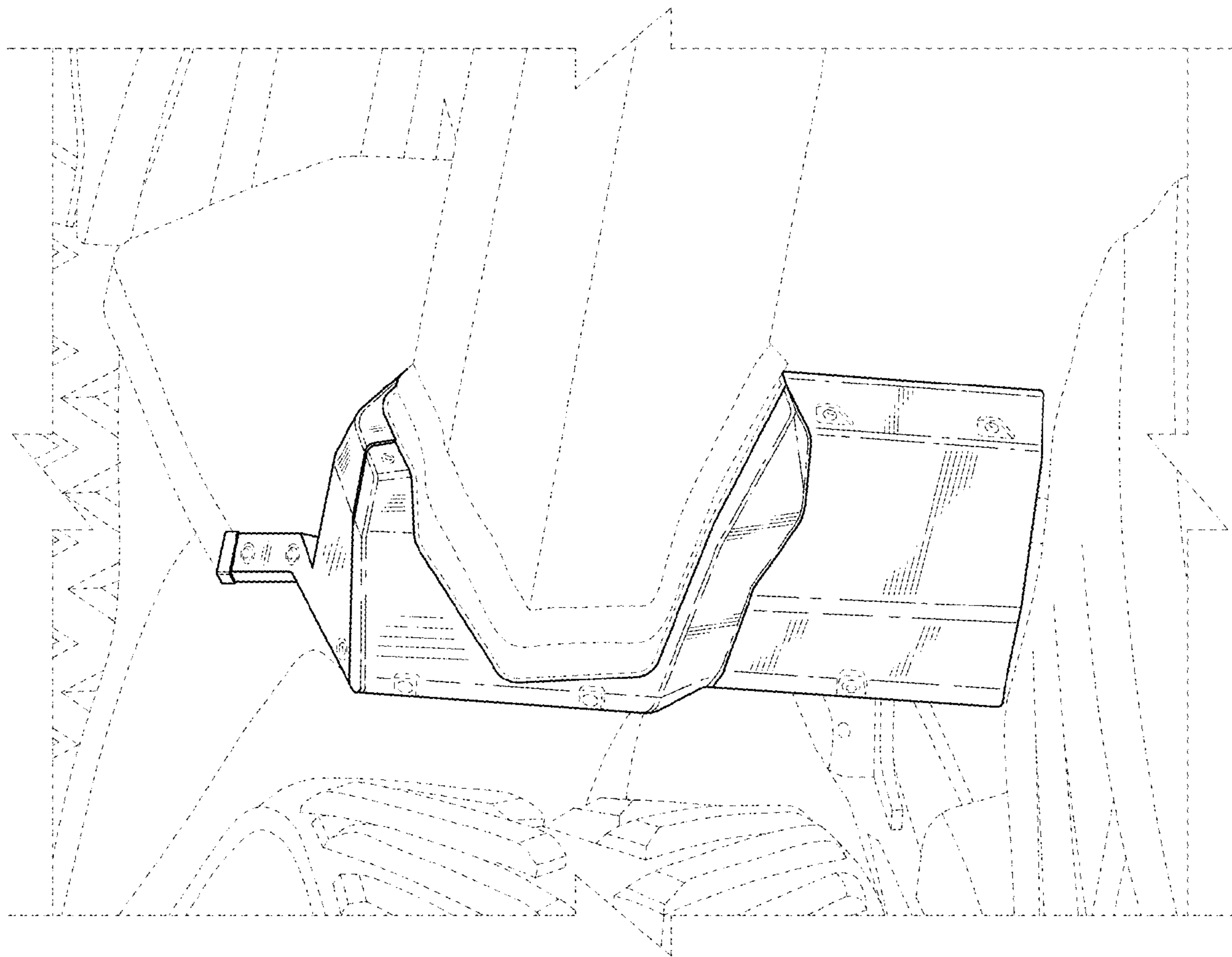


FIG. 3

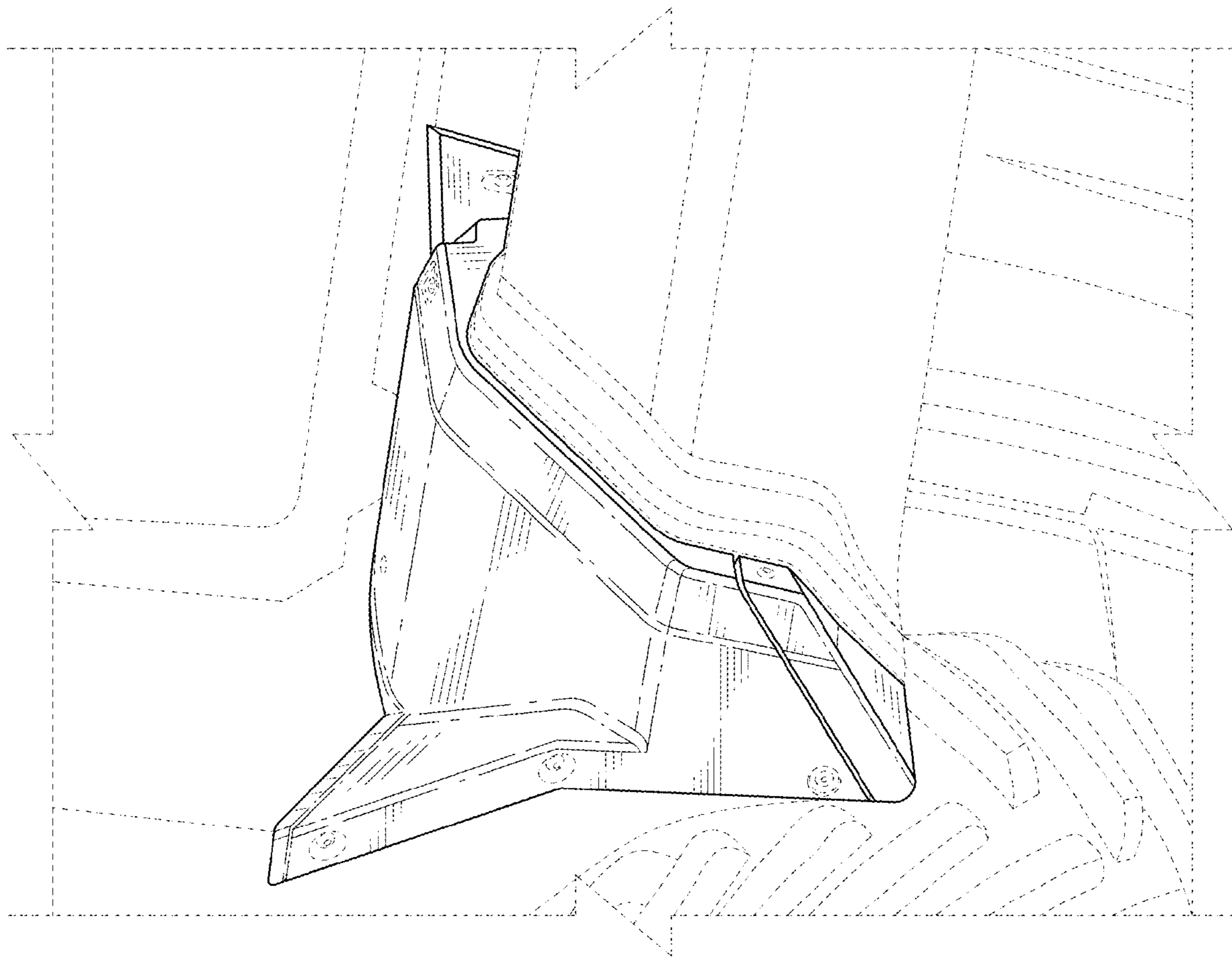


FIG. 4

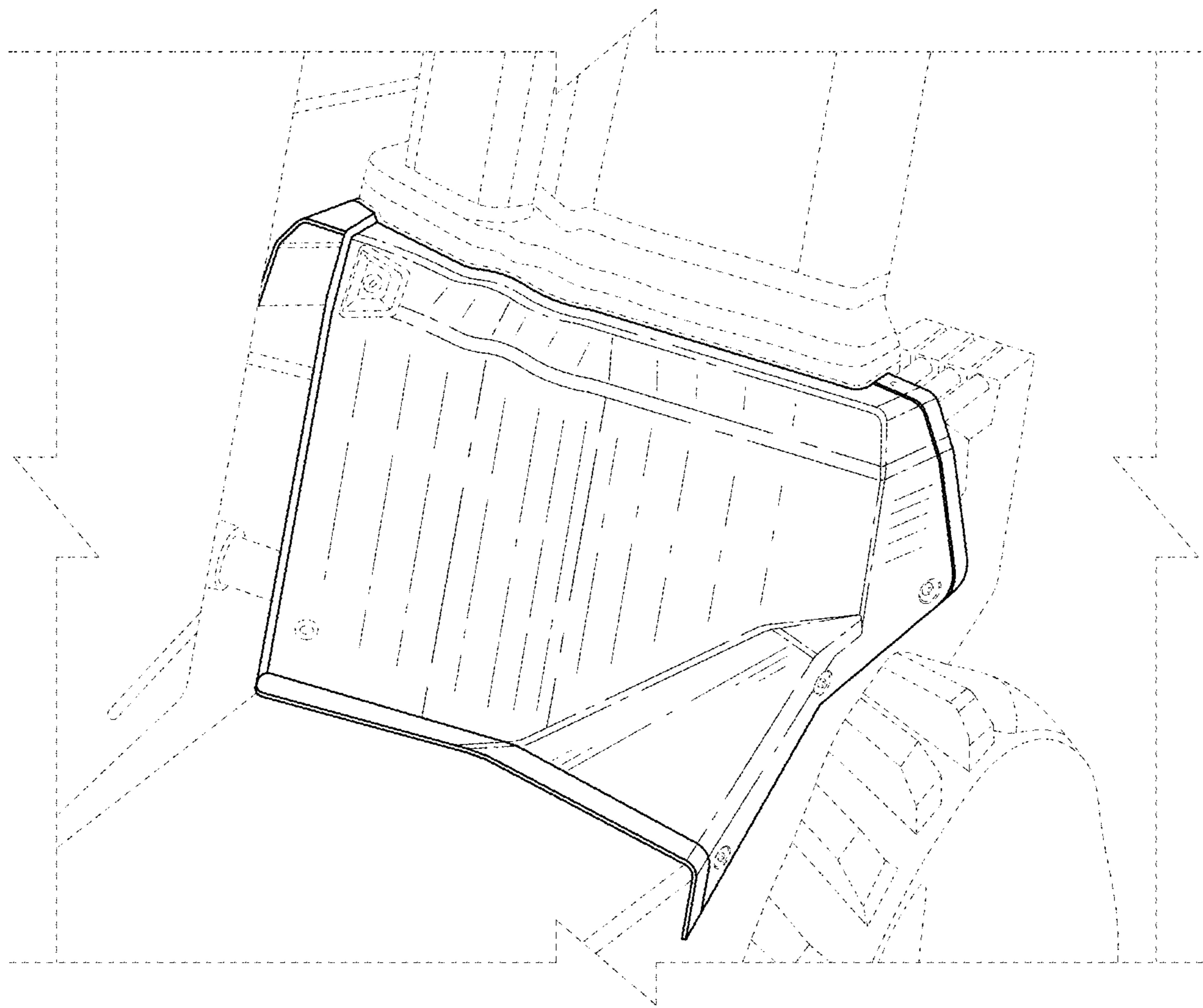


FIG. 5

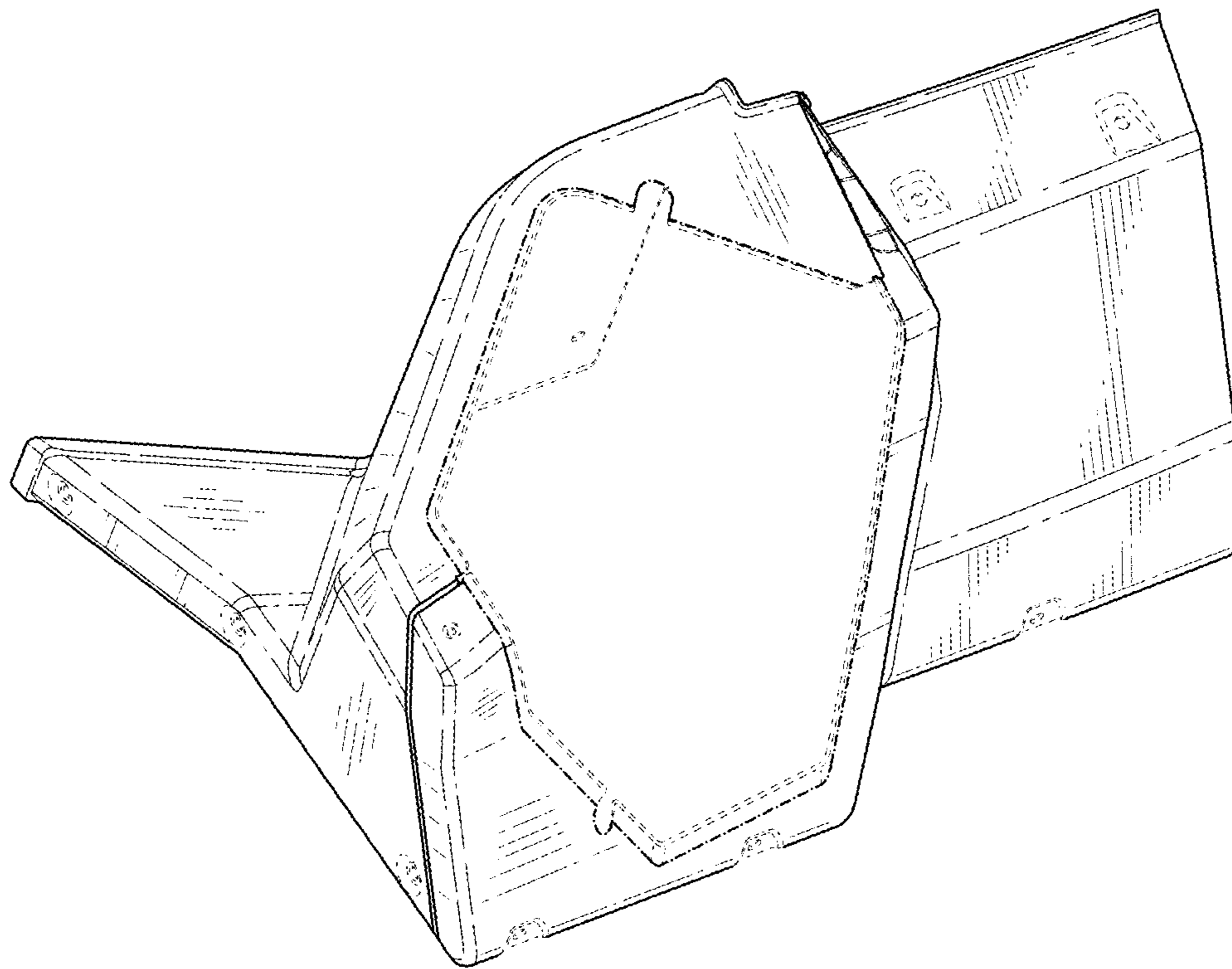


FIG. 6

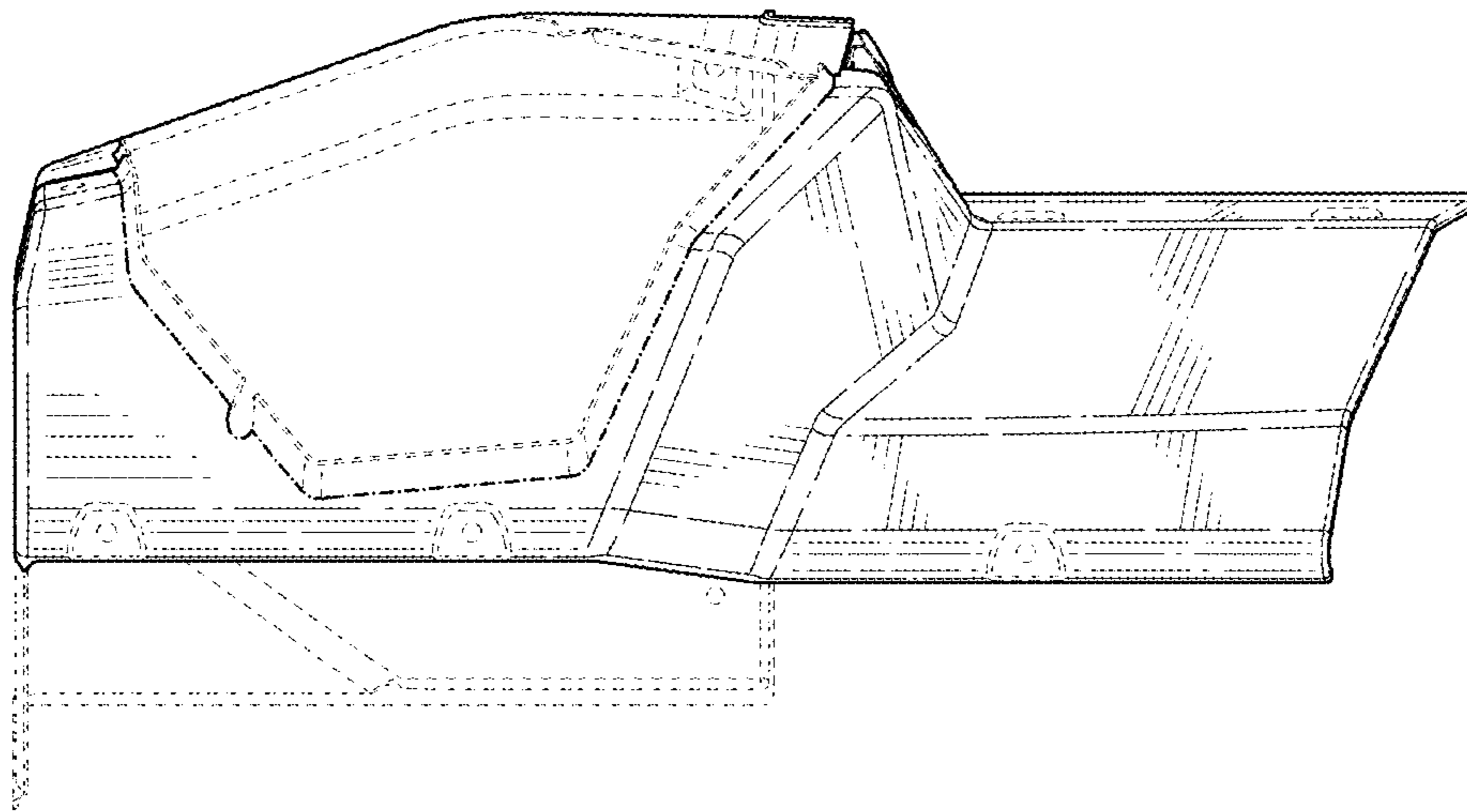


FIG. 7

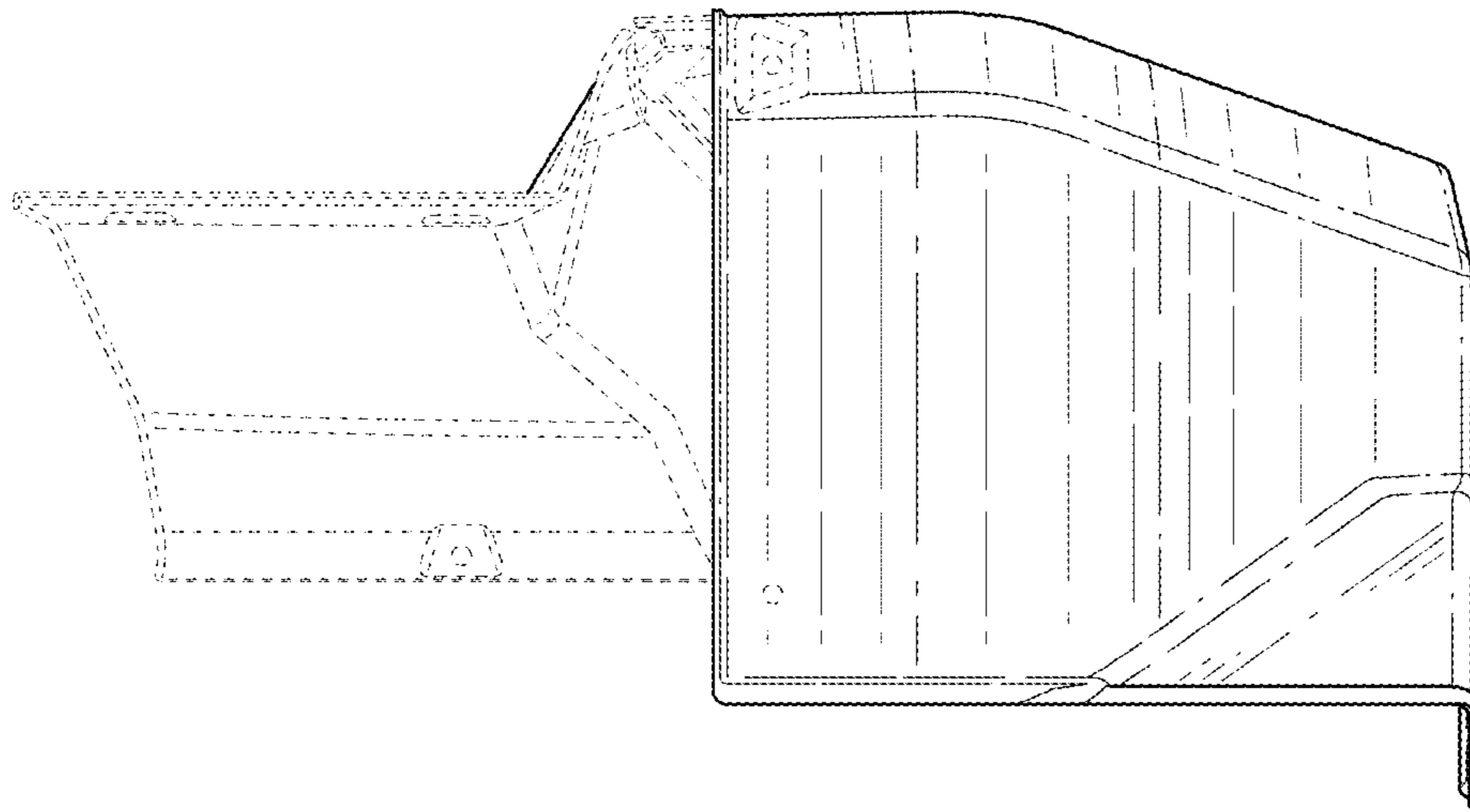


FIG. 8

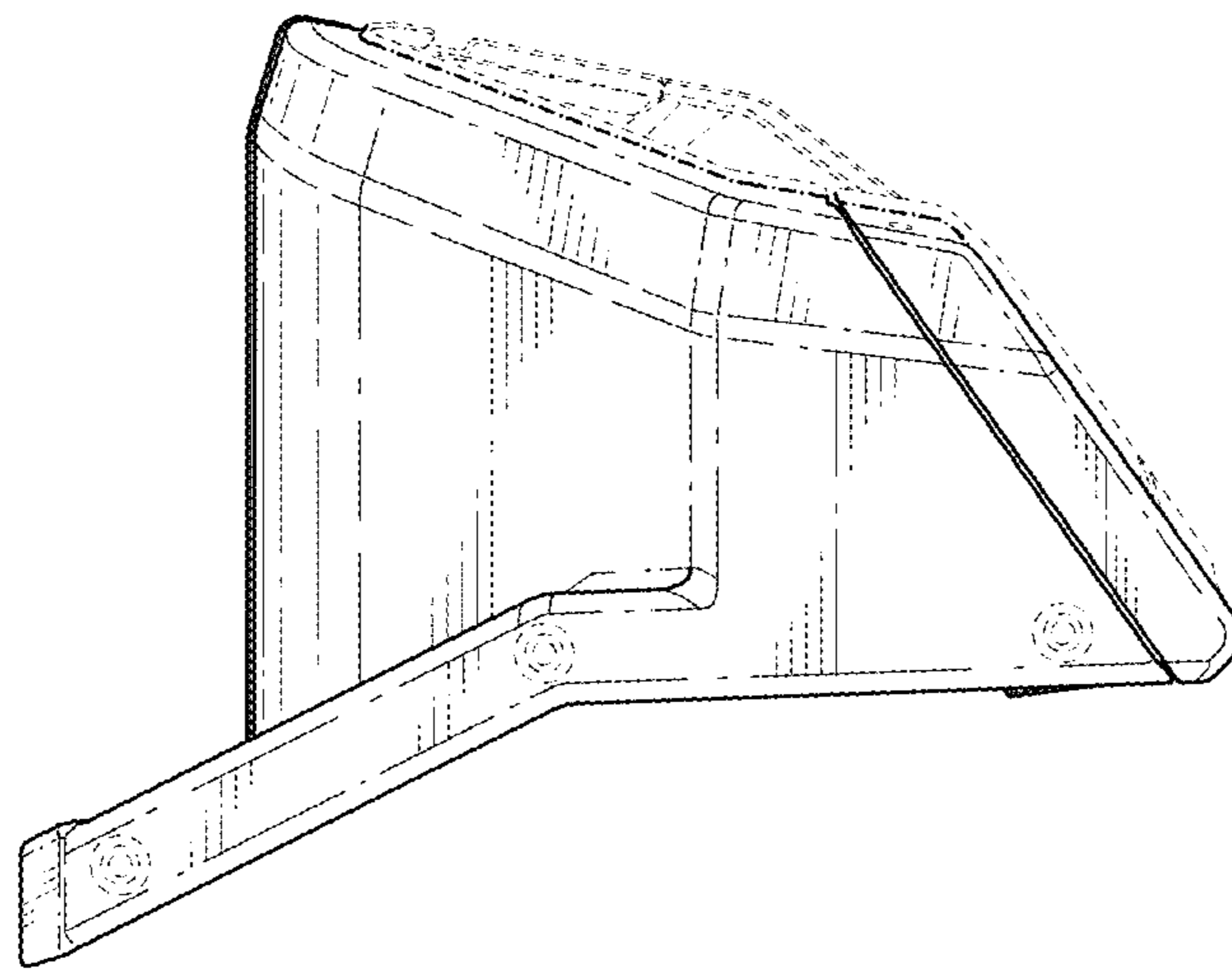


FIG. 9

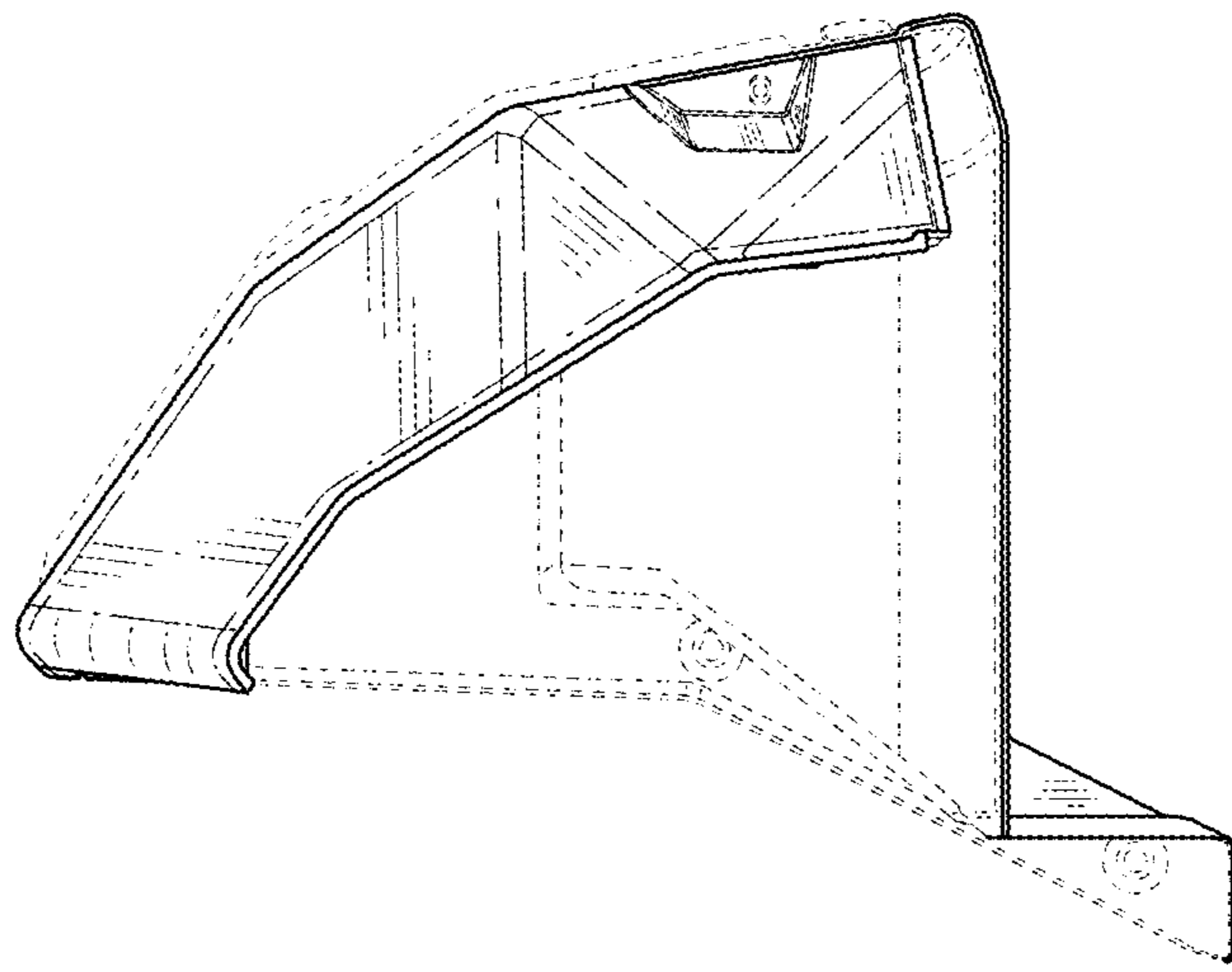


FIG. 10

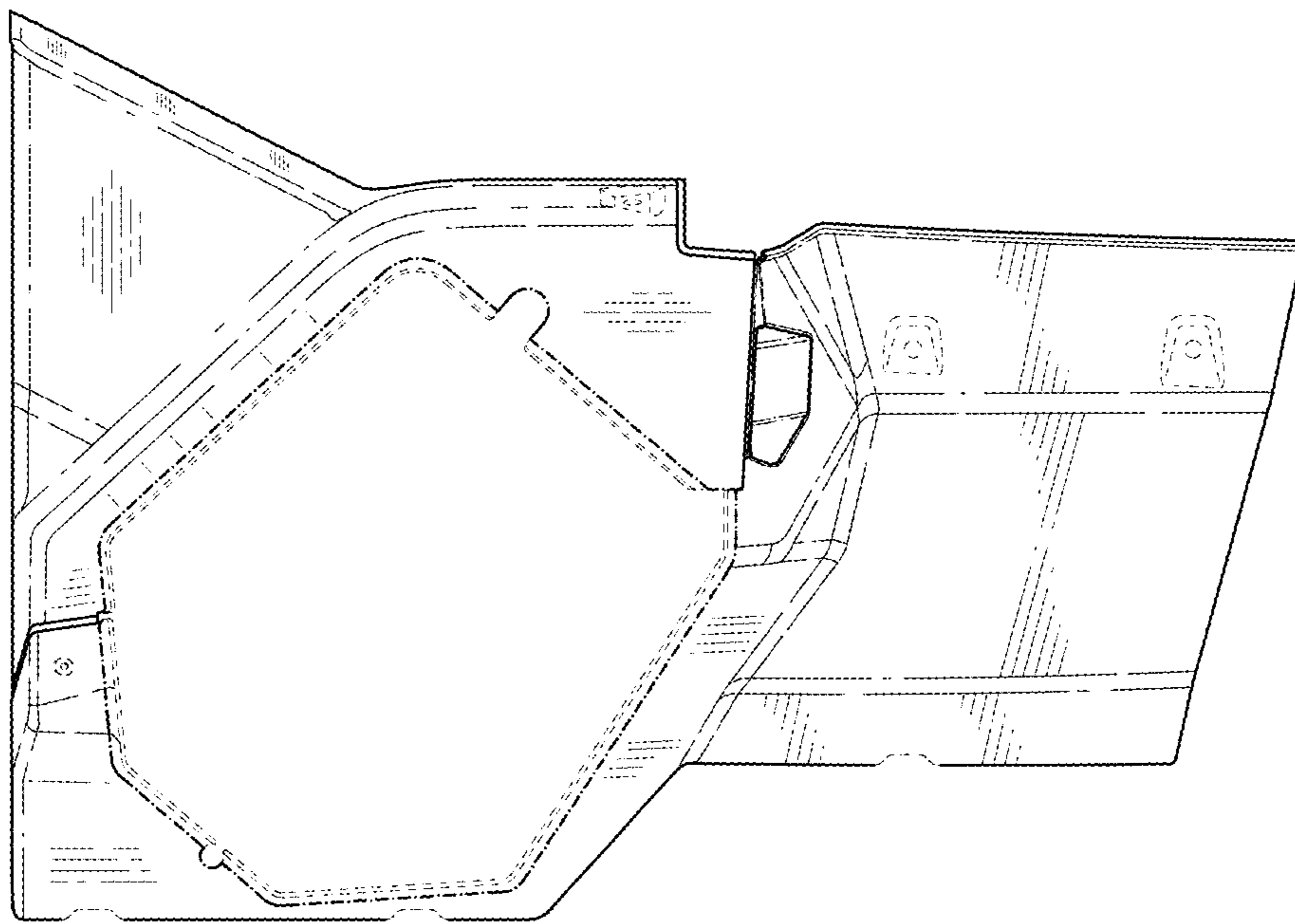


FIG. 11

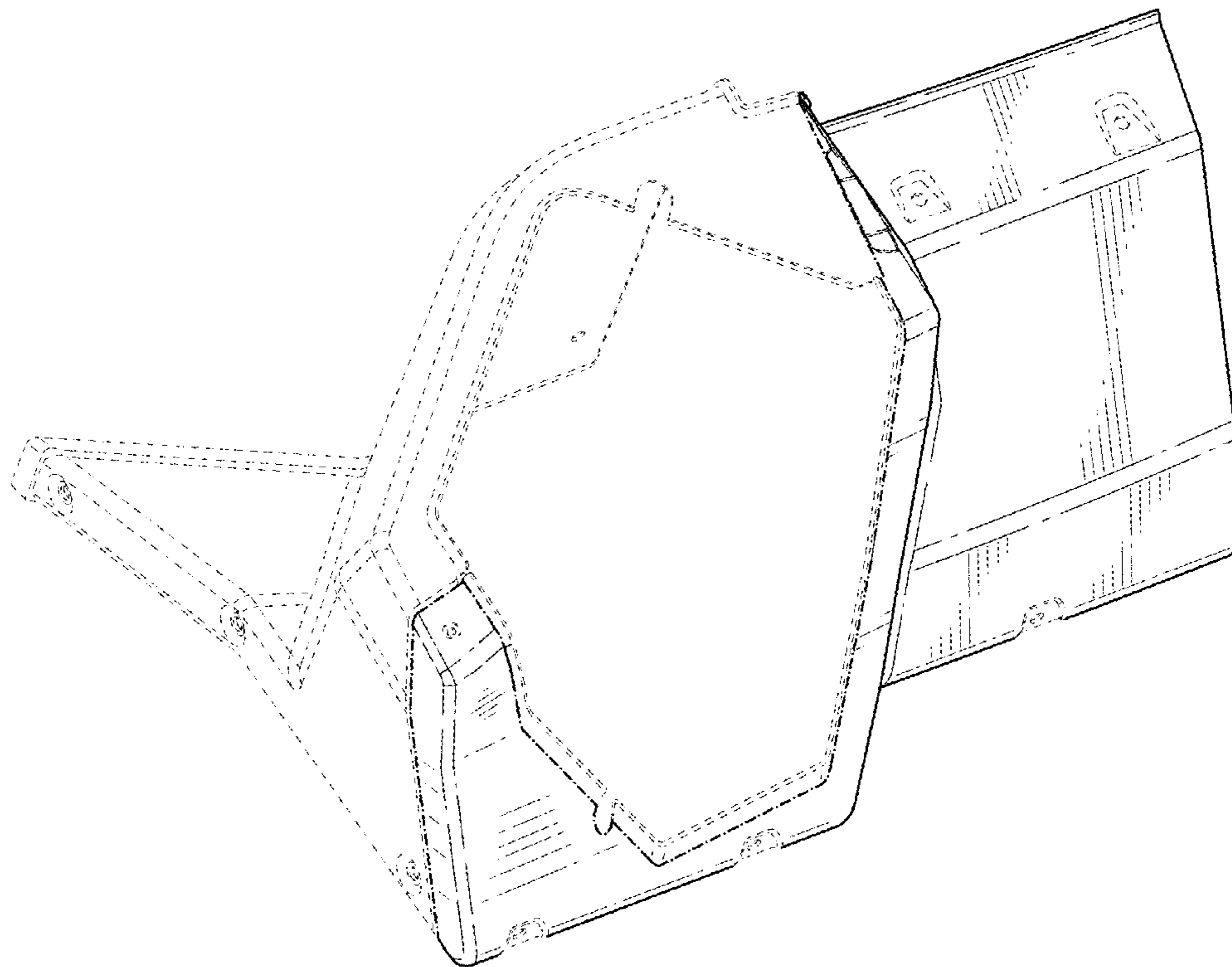


FIG. 12

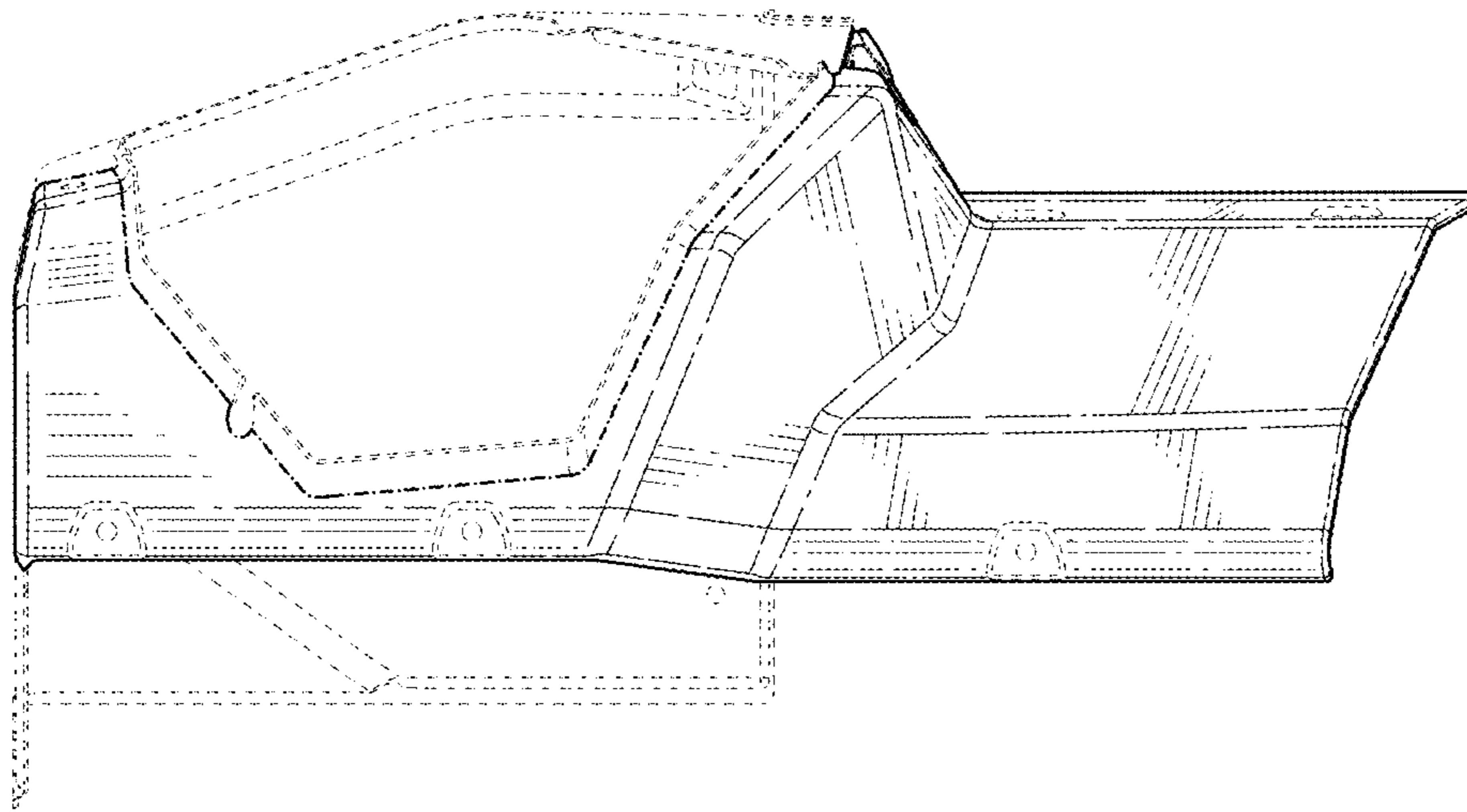


FIG. 13

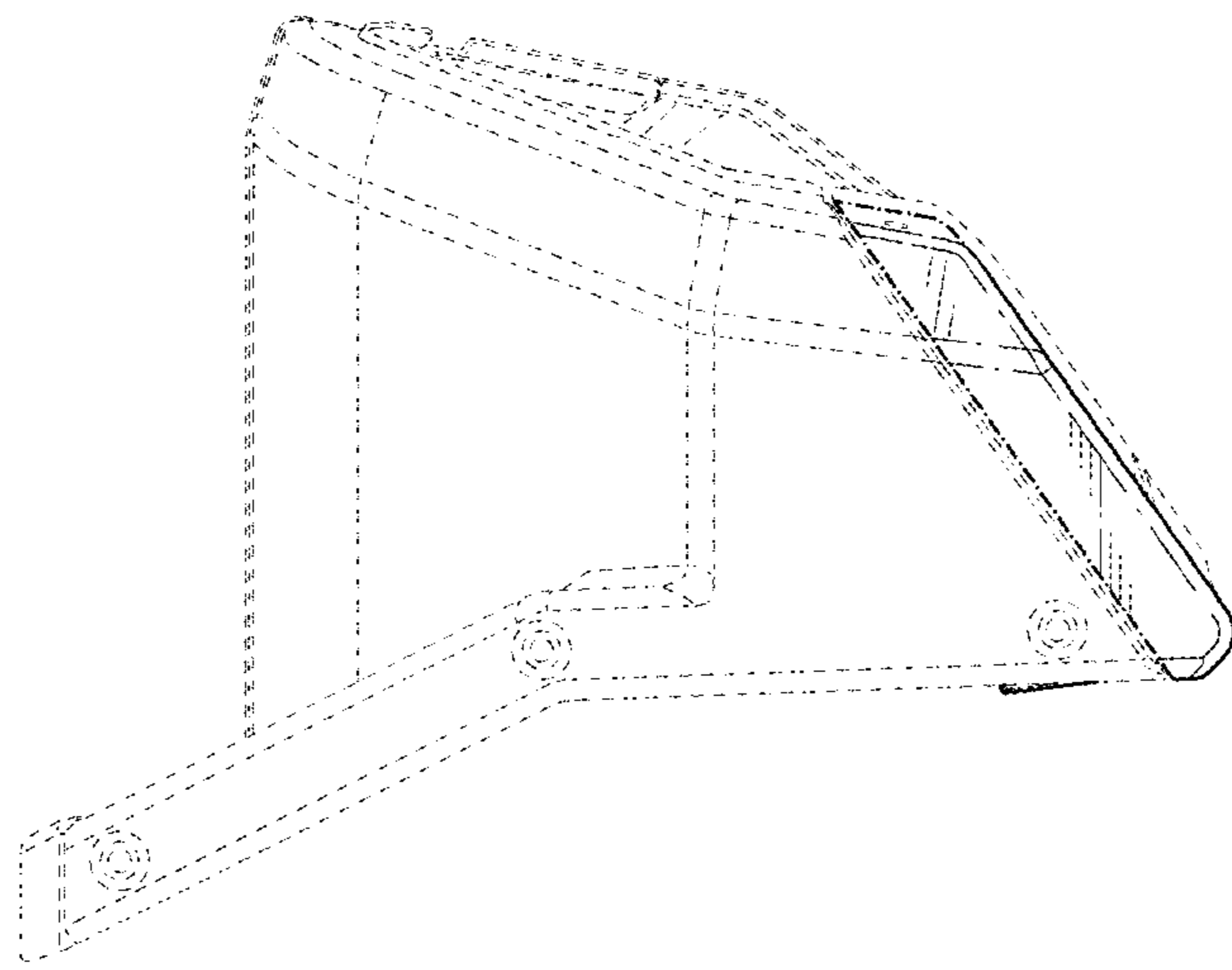


FIG. 14

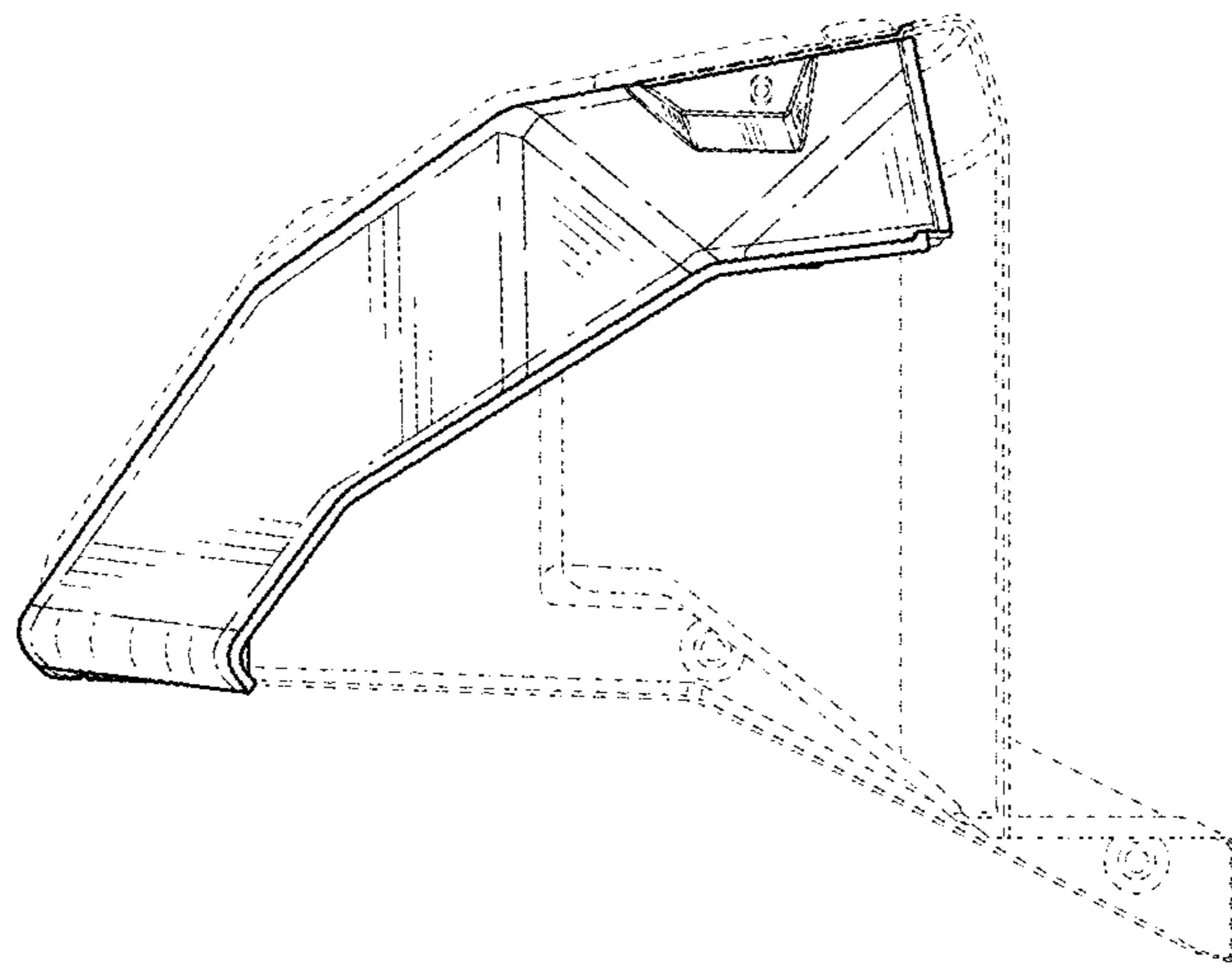


FIG. 15

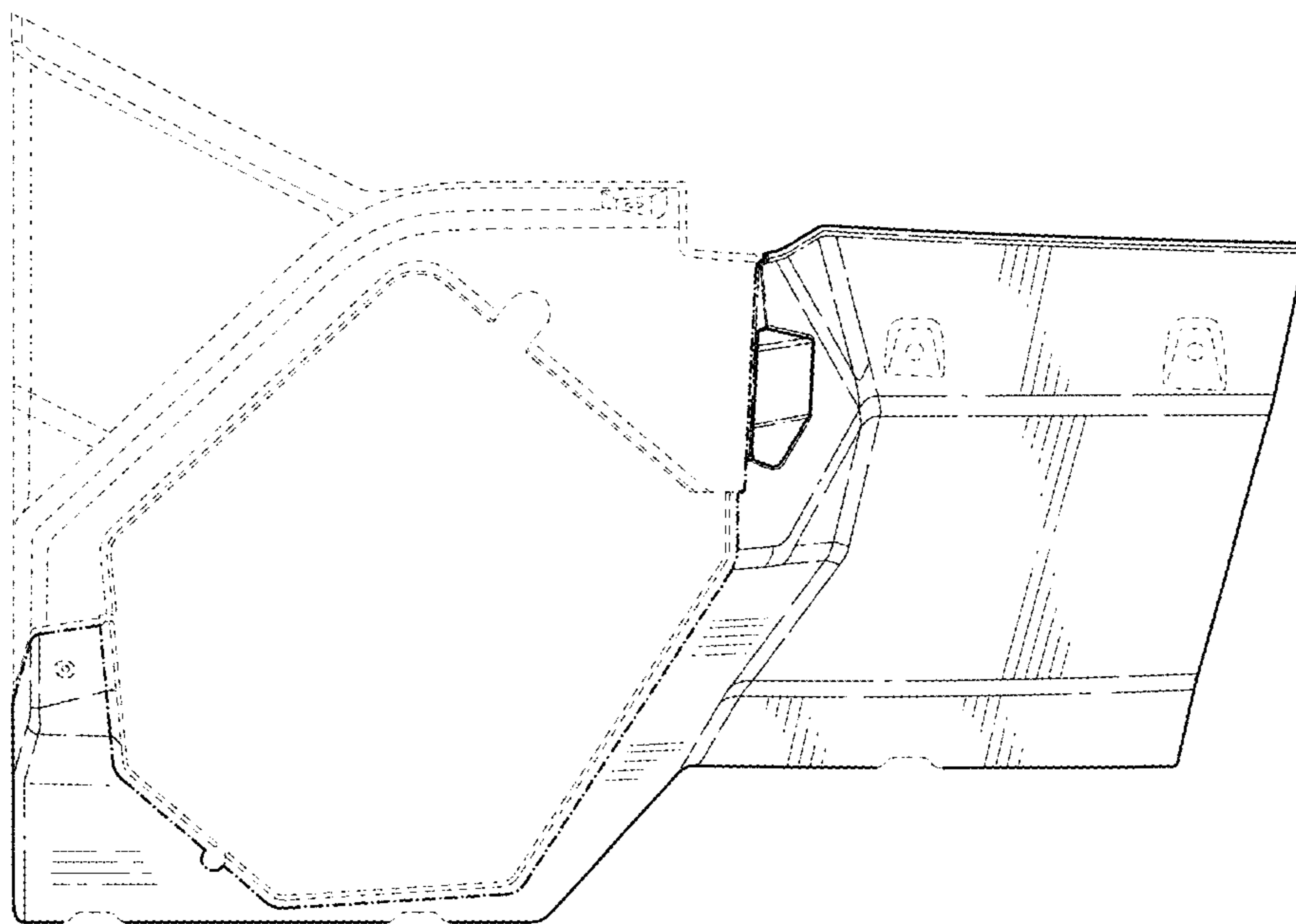


FIG. 16

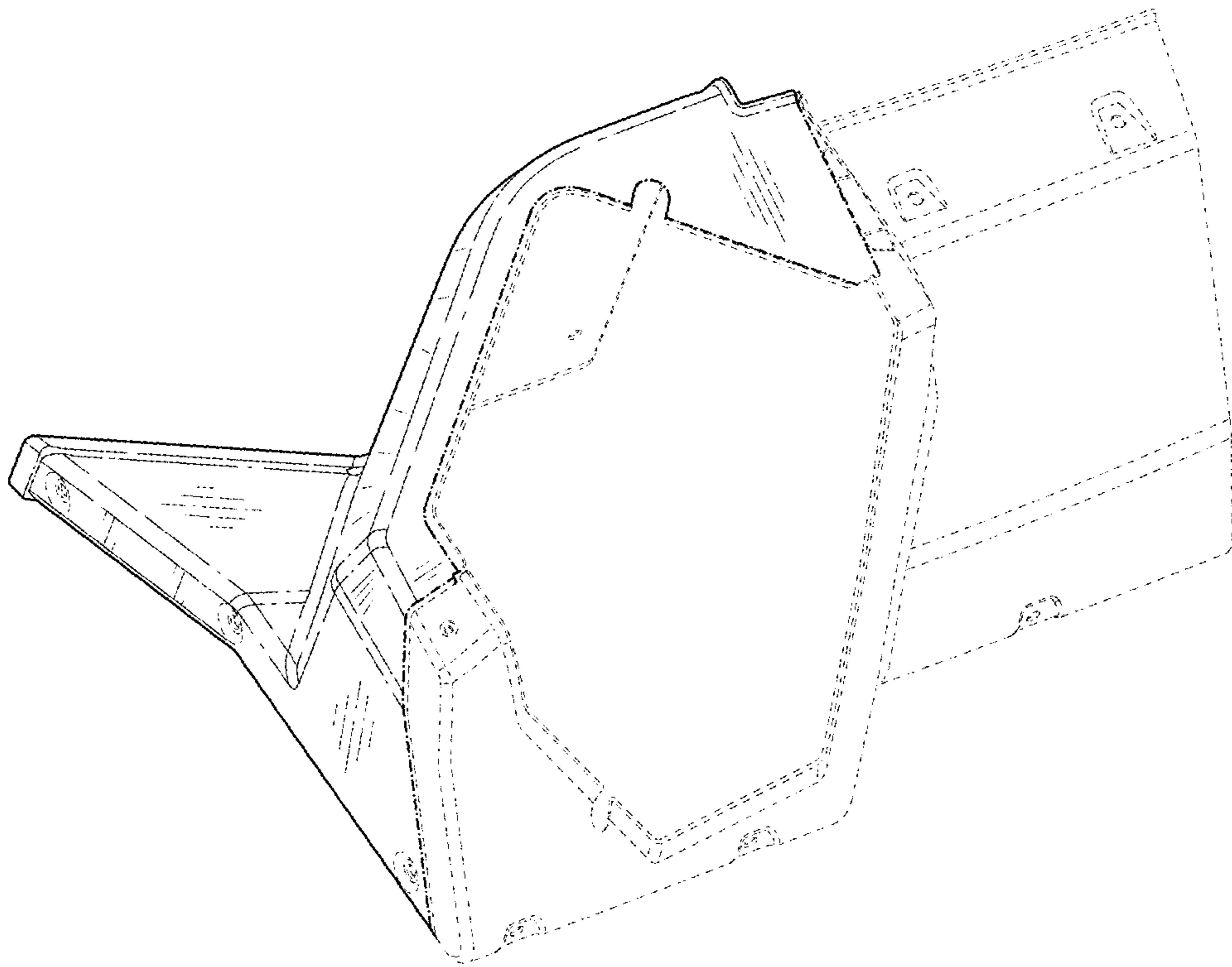


FIG. 17

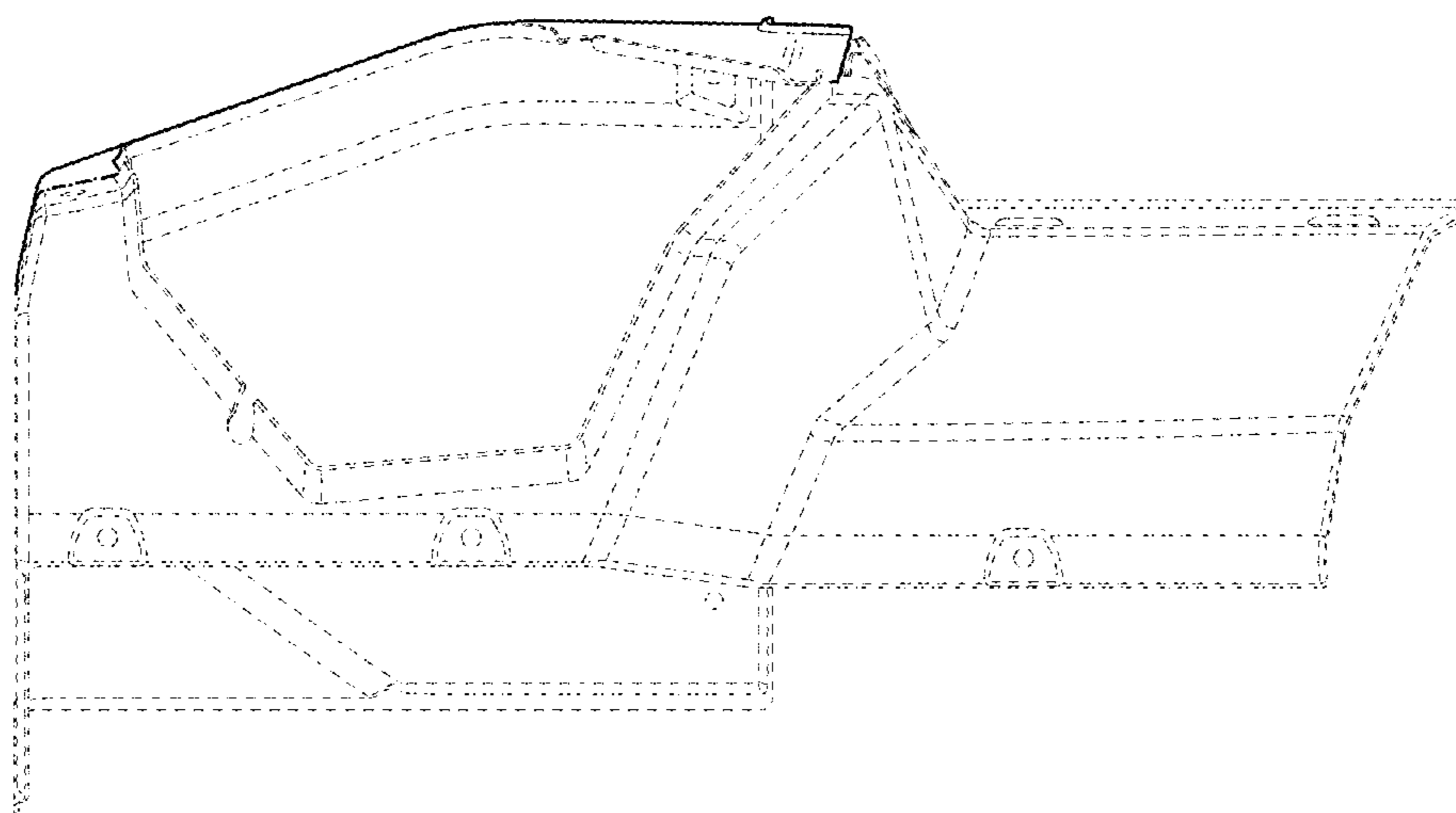


FIG. 18

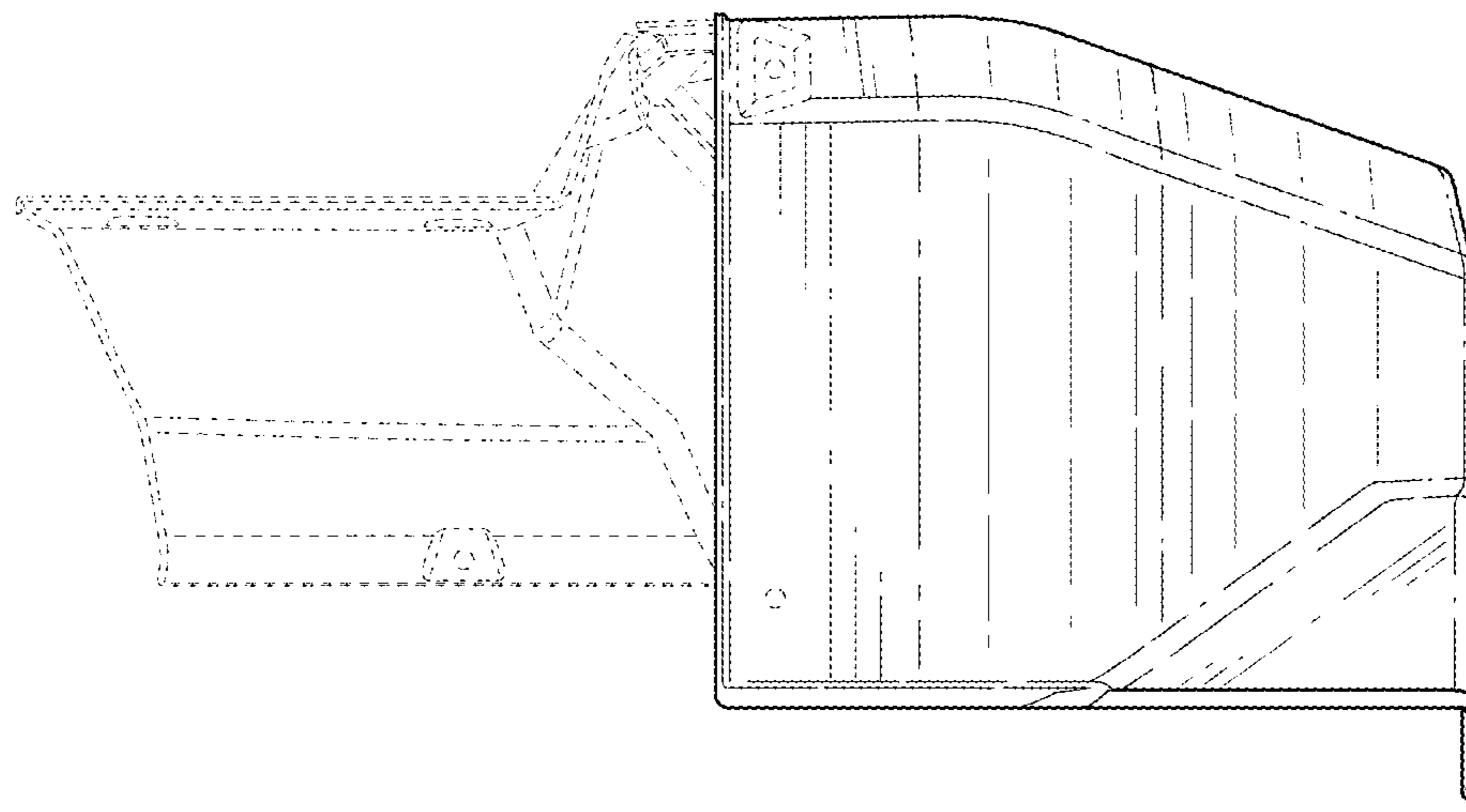


FIG. 19

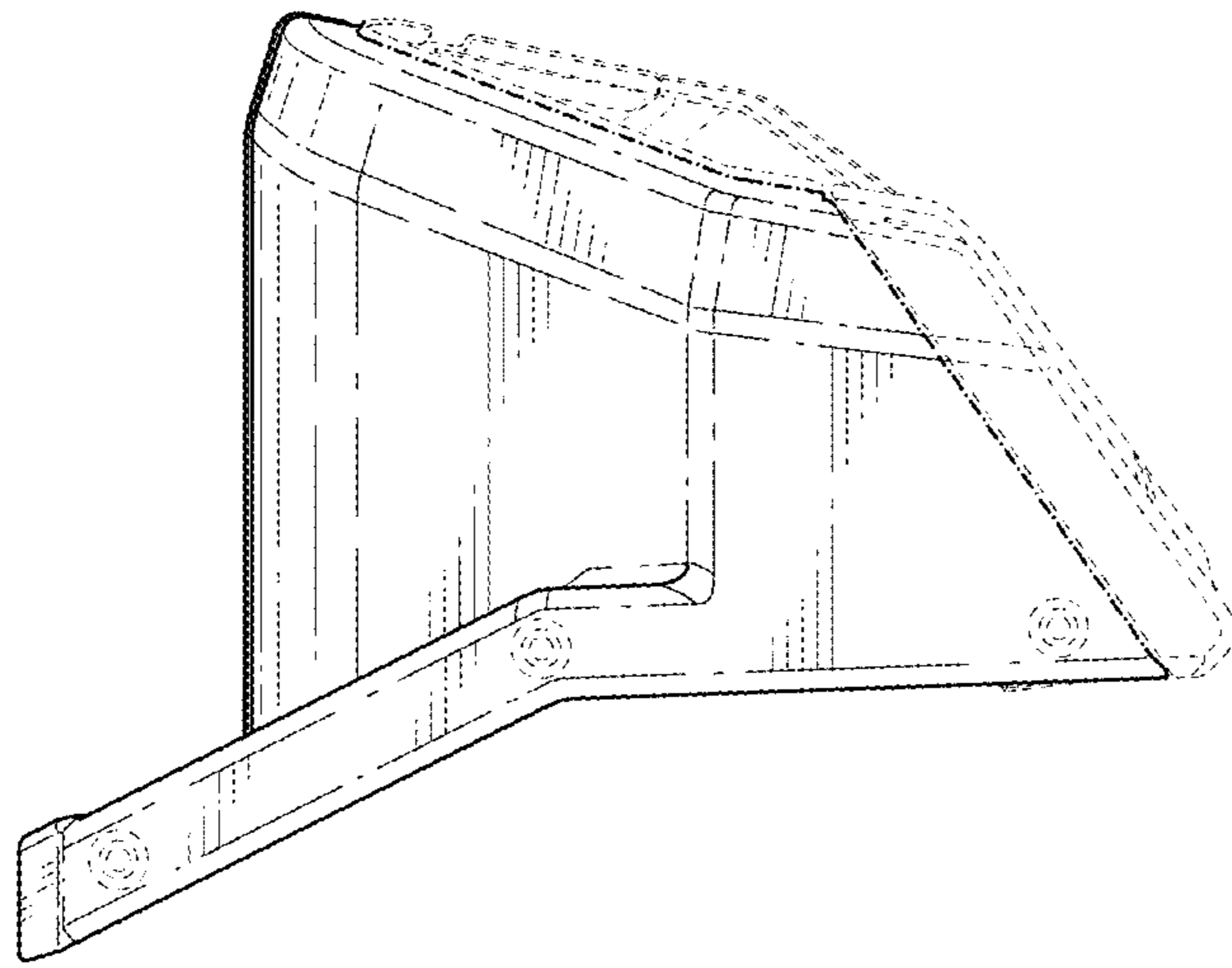


FIG. 20

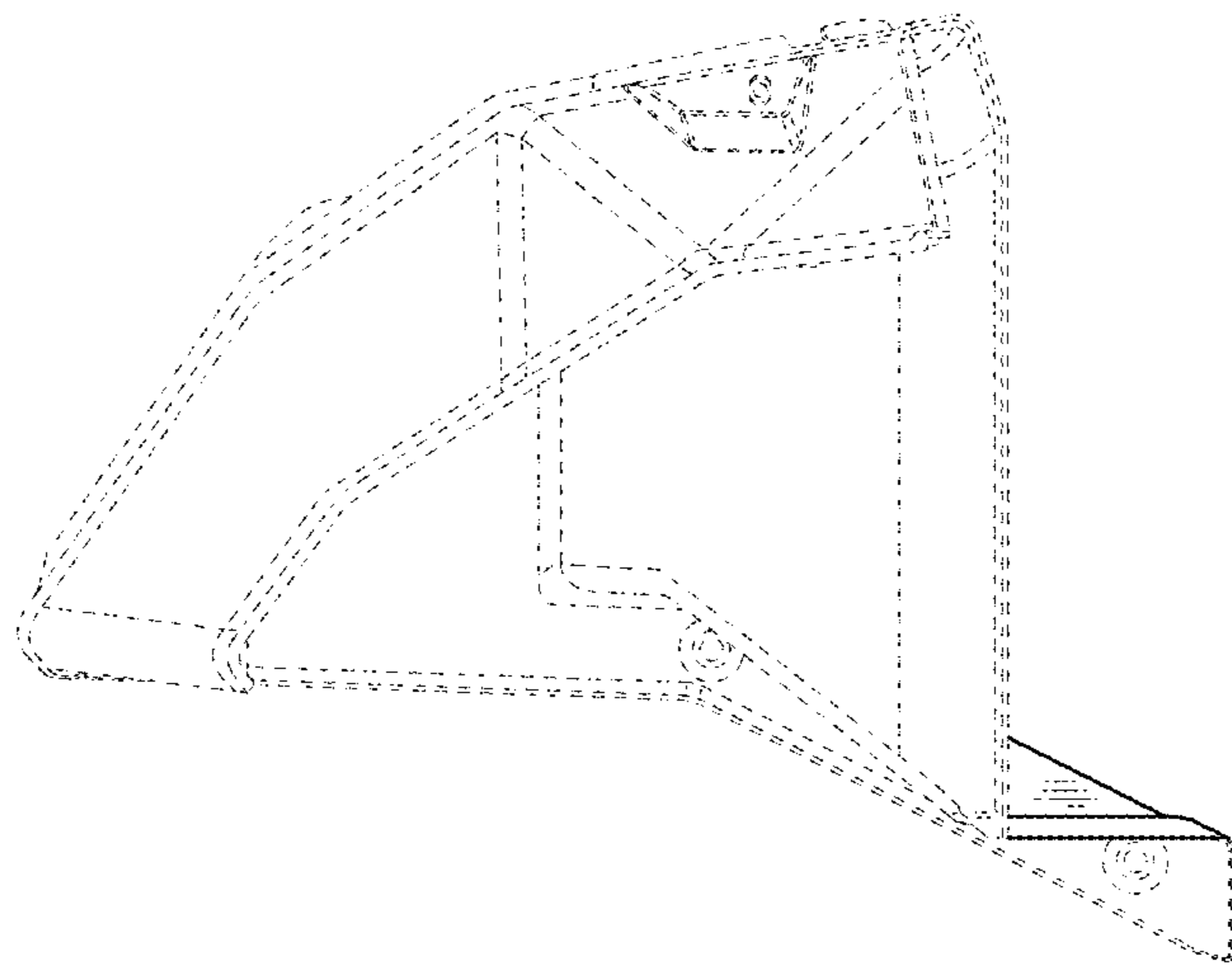


FIG. 21

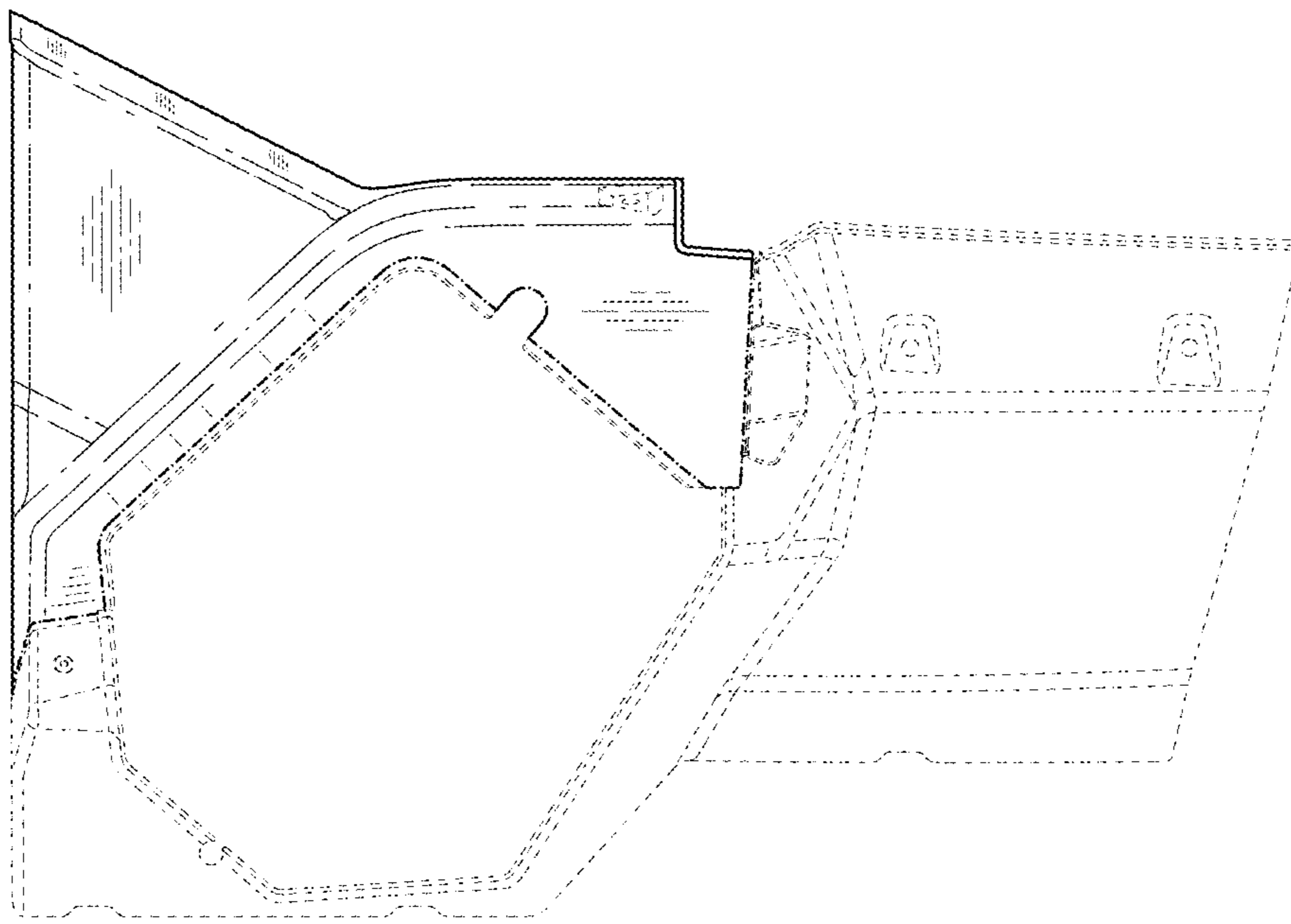


FIG. 22