



US00D901544S

(12) **United States Design Patent**
Major et al.

(10) **Patent No.:** **US D901,544 S**

(45) **Date of Patent:** **** Nov. 10, 2020**

(54) **WHEEL LOADER**

(71) Applicant: **Guangxi LiuGong Machinery Co., Ltd.**, Liuzhou Guangxi (CN)

(72) Inventors: **Gary Major**, Nantwich (GB); **Edward Wagner**, Guangxi (CN); **Michael Turner**, Derby (GB)

(73) Assignee: **Guangxi LiuGong Machinery Co., Ltd.**, Guangxi

(**) Term: **15 Years**

(21) Appl. No.: **29/703,894**

(22) Filed: **Aug. 30, 2019**

(51) **LOC (12) Cl.** **12-09**

(52) **U.S. Cl.**
USPC **D15/25**

(58) **Field of Classification Search**
USPC D15/10, 22-26, 33, 28, 31; D21/431;
37/403, 409, 442, 443; 180/89.1, 89.12,
180/89.13; 296/190.03; 414/685, 694,
414/722, 724
CPC E02F 9/0841; E02F 3/3411; E02F 3/76;
E02F 3/34; E02F 3/00; E02F 7/00; B62D
21/186; B62D 53/028
See application file for complete search history.

(56) **References Cited**

U.S. PATENT DOCUMENTS

D364,408 S * 11/1995 Bryant D15/25
D405,807 S * 2/1999 Amy D15/25
D549,738 S * 8/2007 Hiraoka D15/25

D624,567 S * 9/2010 Kelley D15/33
D652,061 S * 1/2012 Hiraoka D15/23
D652,062 S * 1/2012 Hiraoka D15/23
D693,853 S * 11/2013 Hiraoka D15/23
D705,273 S * 5/2014 Furuki D15/25
D708,232 S * 7/2014 Furuki D15/23
D756,420 S * 5/2016 Okuyama D15/23
D758,457 S * 6/2016 Okuyama D15/23
D762,740 S * 8/2016 Okuyama D15/31
D819,087 S * 5/2018 Ulmefors D15/25
D819,705 S * 6/2018 Ulmefors D15/25

* cited by examiner

Primary Examiner — Mark A Goodwin

(74) *Attorney, Agent, or Firm* — Young Basile Hanlon & MacFarlane, P.C.

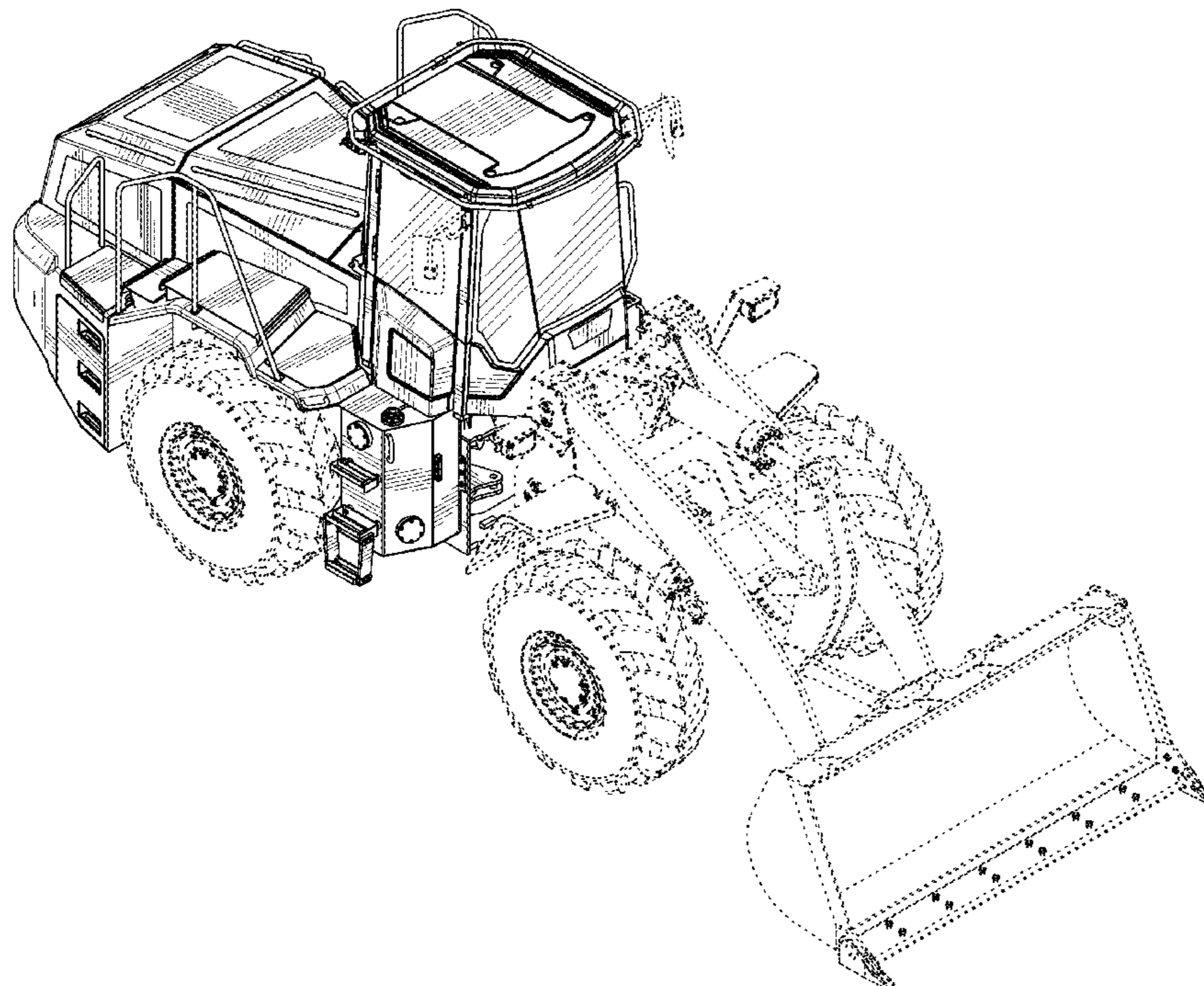
(57) **CLAIM**

The ornamental design for a wheel loader, as shown and described.

DESCRIPTION

FIG. 1 is right view of a wheel loader of our new design.
FIG. 2 is a left view thereof.
FIG. 3 is a front view thereof.
FIG. 4 is a rear view thereof.
FIG. 5 is an upper, left, rear perspective view thereof.
FIG. 6 is an upper, right, rear perspective view thereof.
FIG. 7 is an upper, right, front perspective view thereof.
FIG. 8 is an upper, left, front perspective view thereof; and,
FIG. 9 is a top view thereof.
The ornamental design which is claimed is shown in solid lines in the drawings. The broken lines in the drawings illustrate unclaimed portions of the wheel loader and form no part of the claimed design.

1 Claim, 8 Drawing Sheets



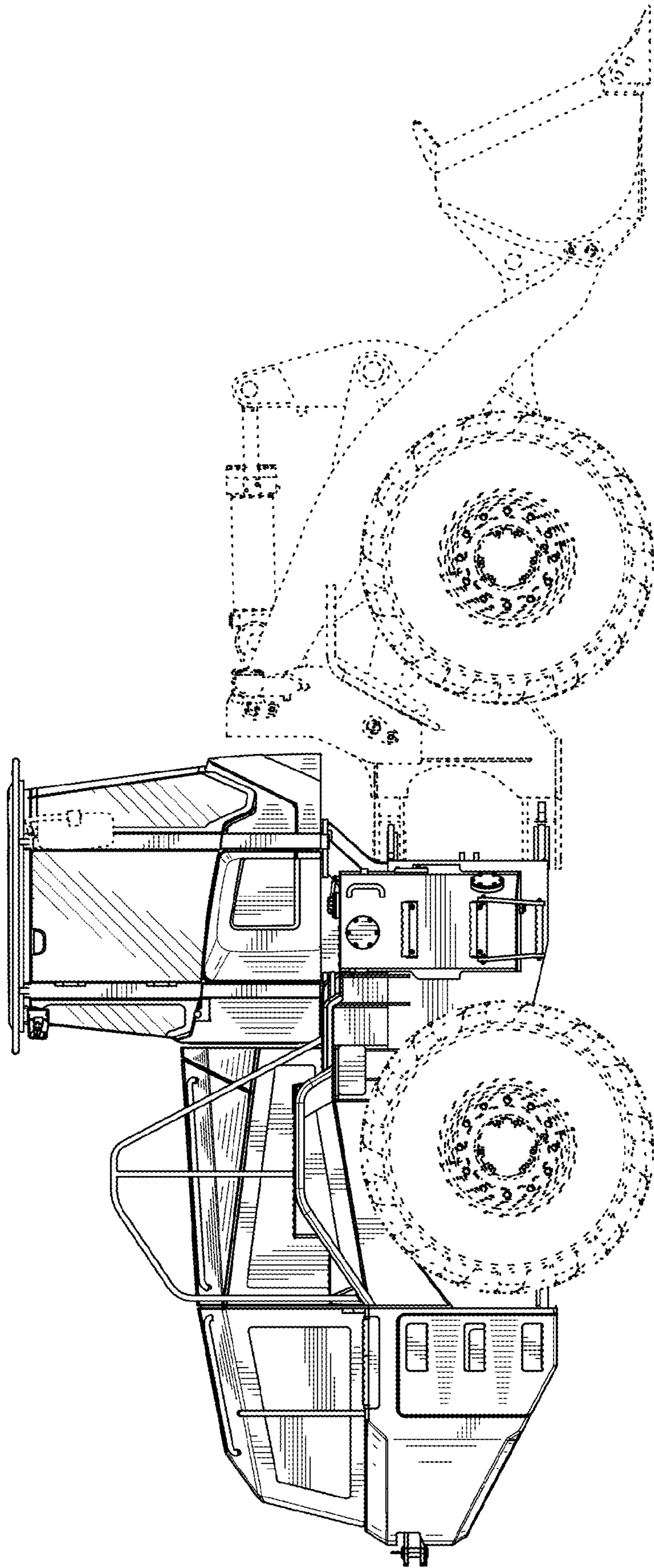


FIG. 1

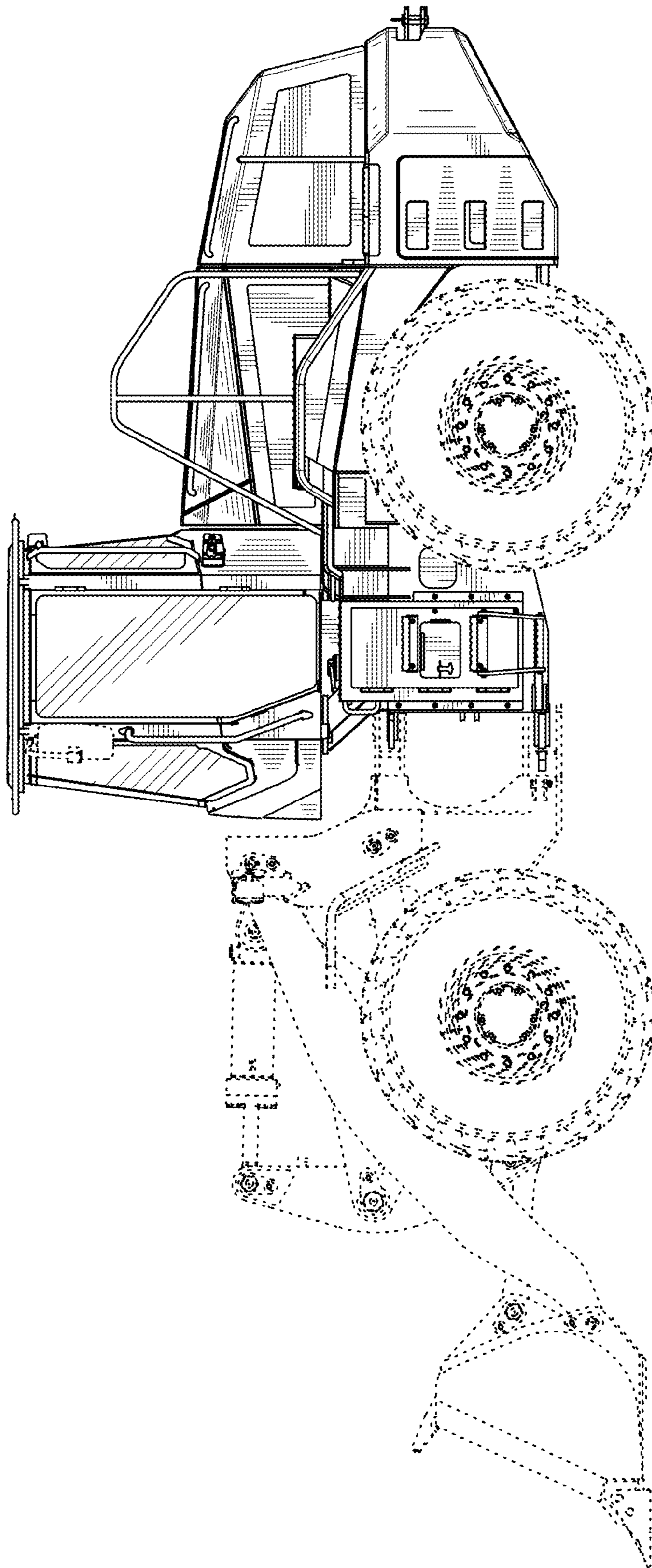


FIG. 2

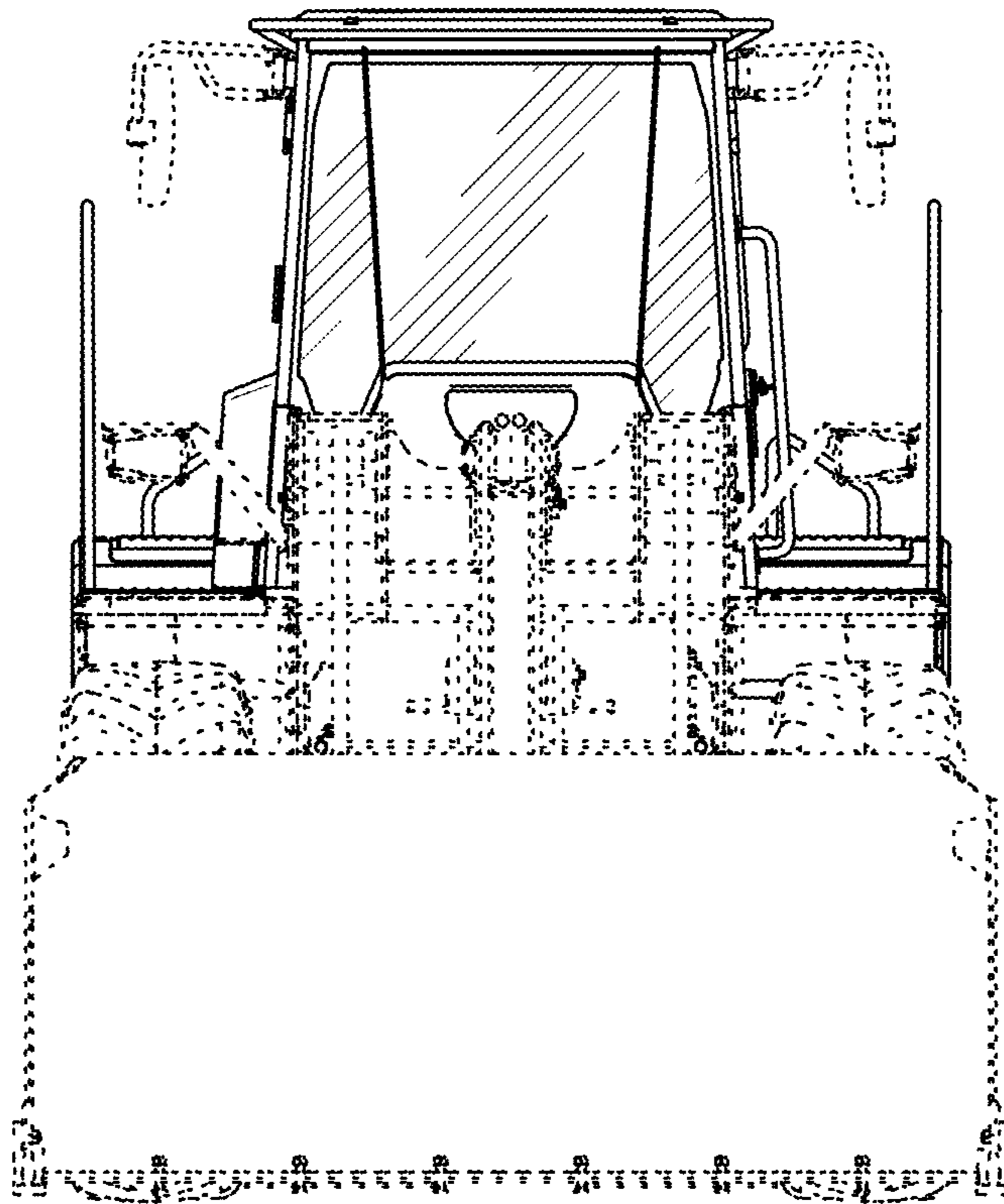


FIG. 3

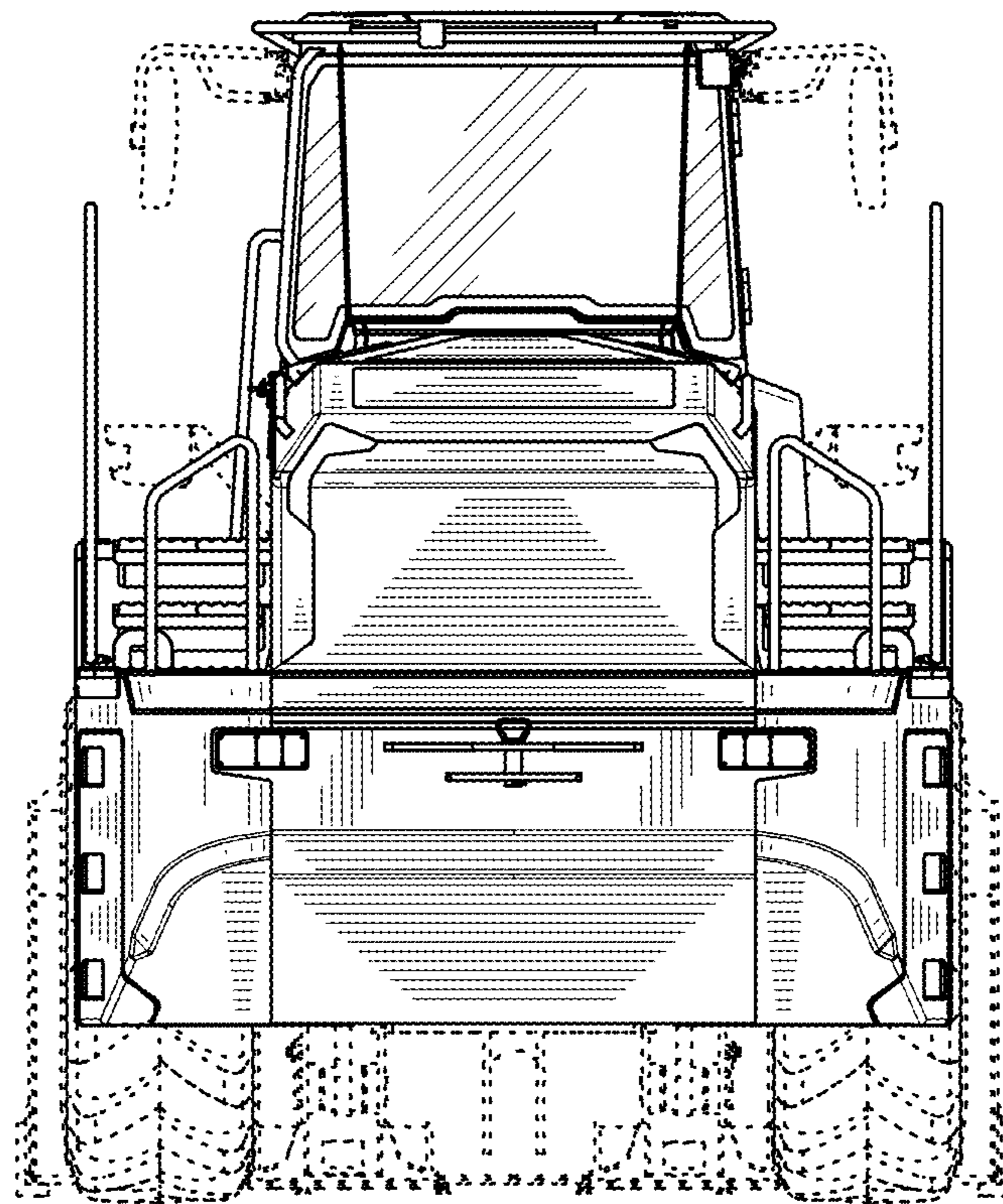


FIG. 4

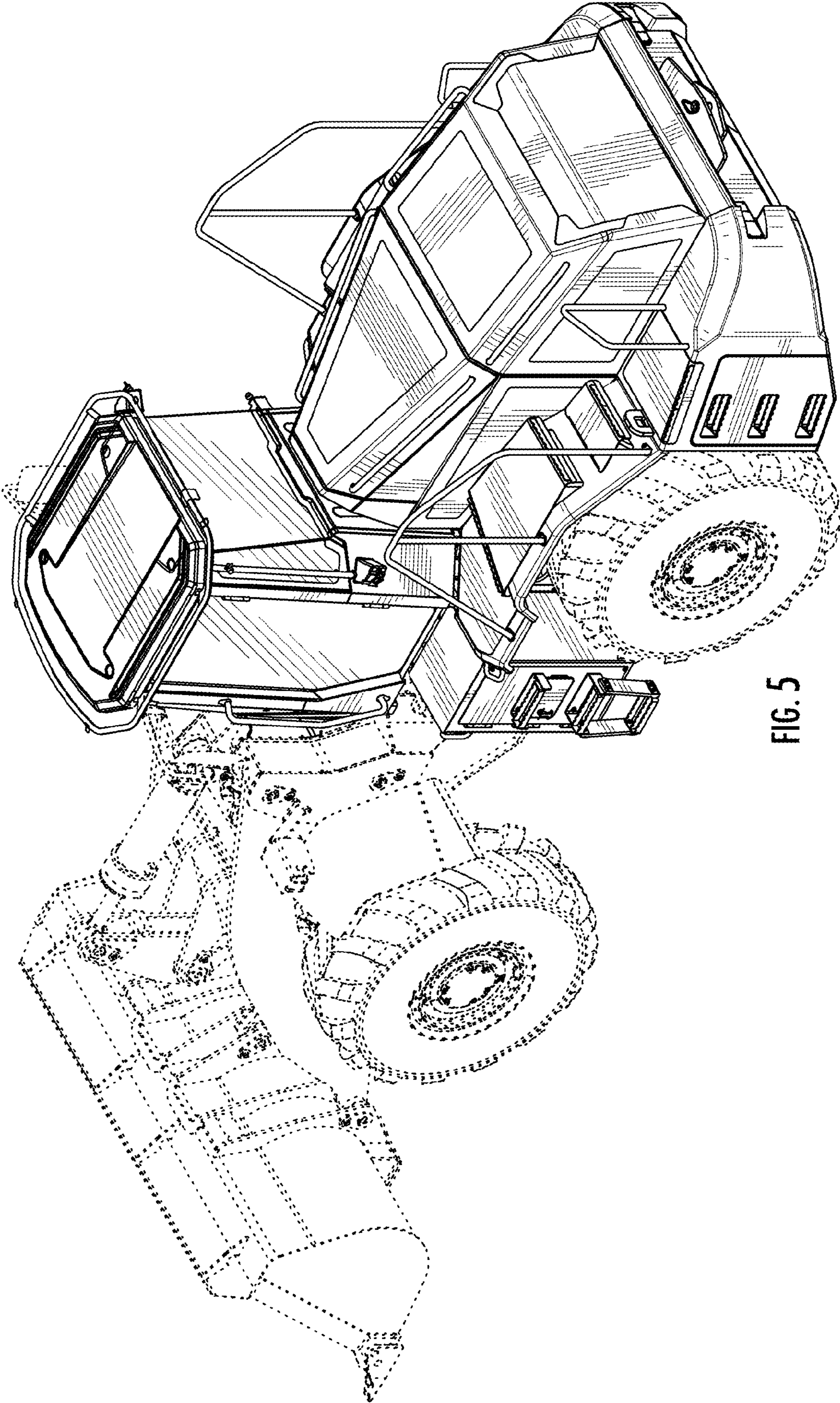


FIG. 5

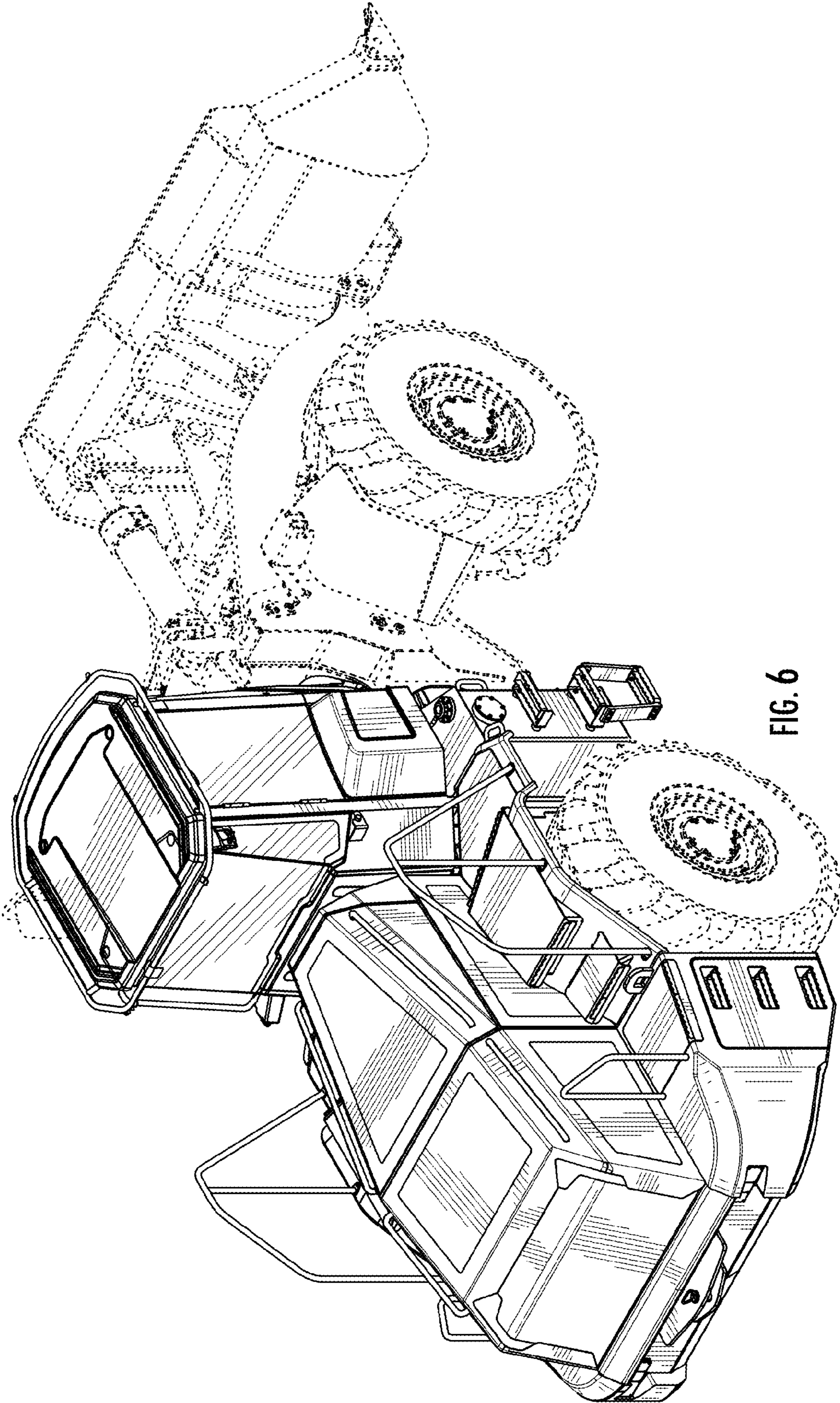


FIG. 6

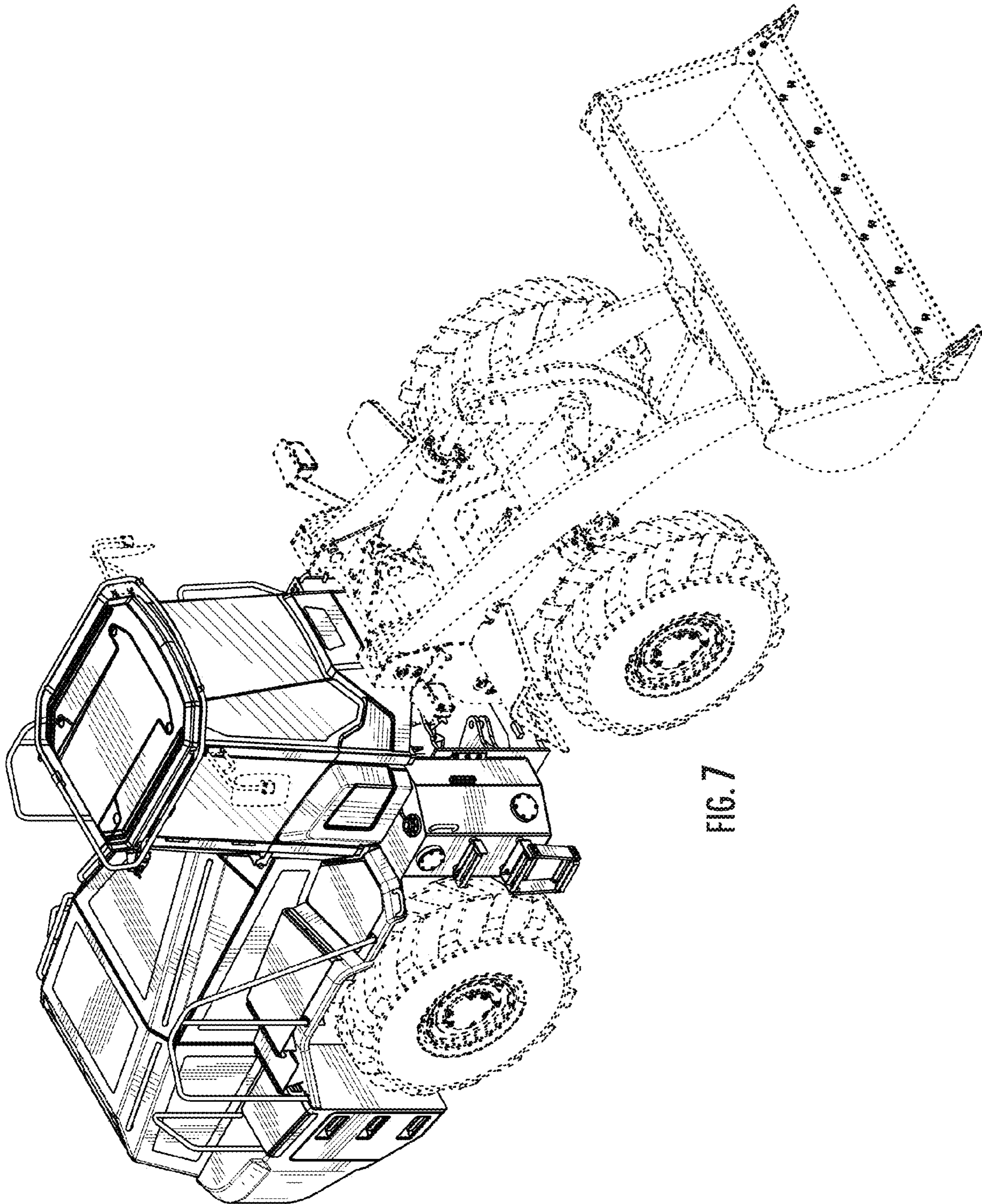


FIG. 7

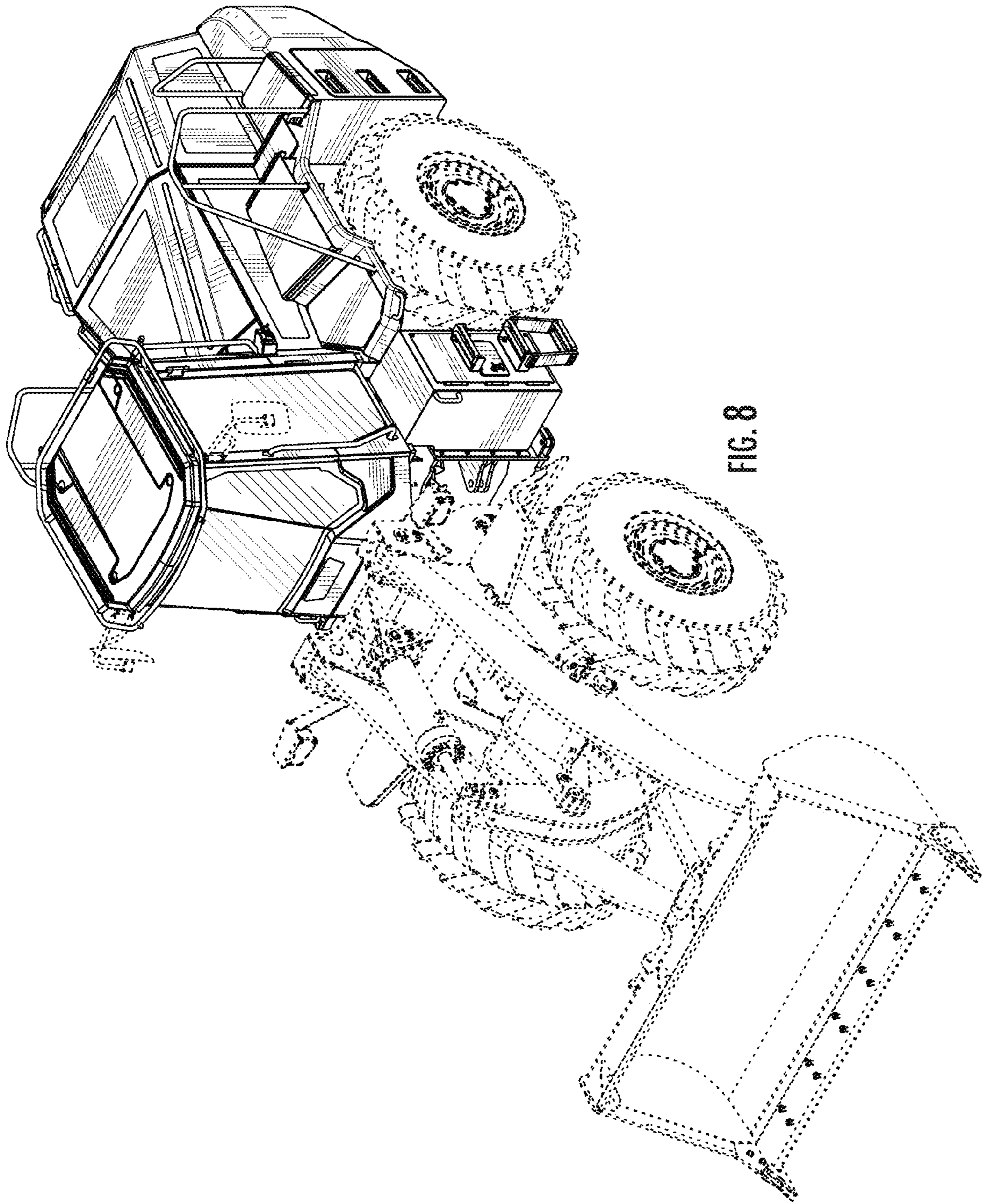


FIG. 8

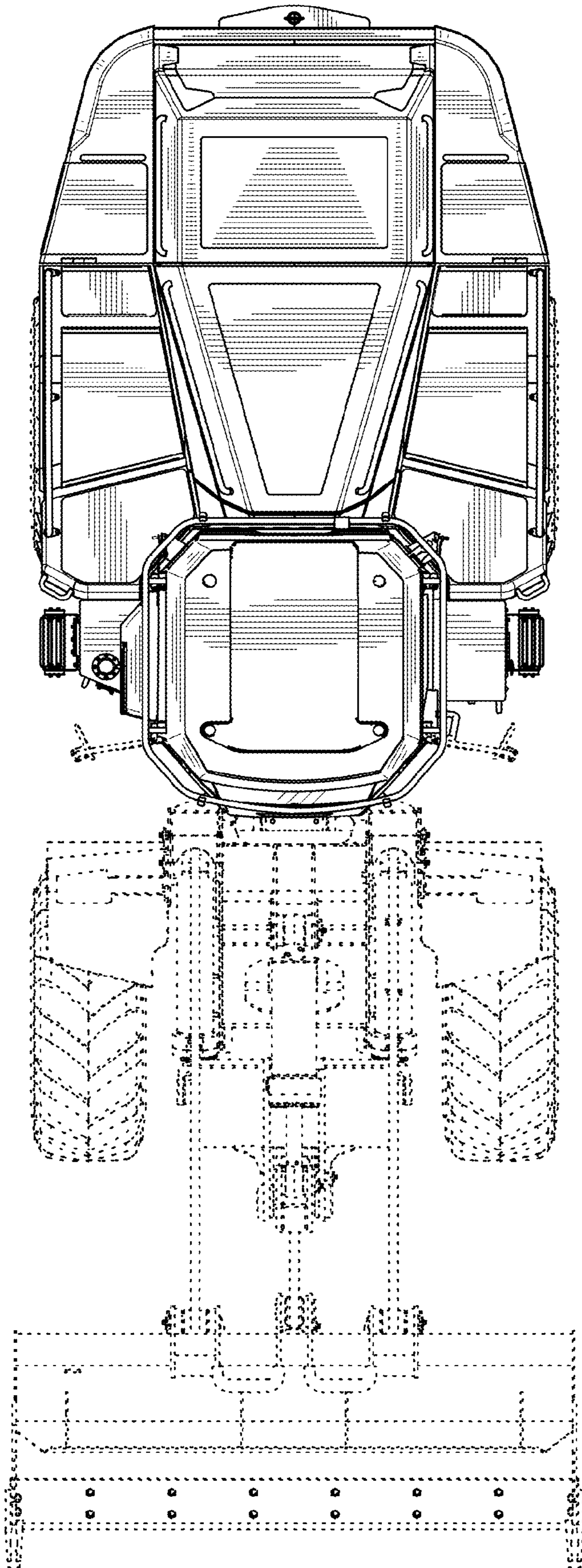


FIG. 9