



US00D901543S

(12) **United States Design Patent** (10) **Patent No.:** **US D901,543 S**
Otte (45) **Date of Patent:** **** Nov. 10, 2020**

(54) **PUMP**

(71) Applicant: **Grundfos Holding A/S, Bjerringbro (DK)**

(72) Inventor: **Jens Otte, Langå (DK)**

(73) Assignee: **Grundfos Holding A/S, Bjerringbro (DK)**

(**) Term: **15 Years**

(21) Appl. No.: **29/677,313**

(22) Filed: **Jan. 18, 2019**

(30) **Foreign Application Priority Data**

Jul. 20, 2018	(EM)	005508785-0008
Jul. 20, 2018	(EM)	005508785-0012
Jul. 20, 2018	(EM)	005508785-0022
Jul. 20, 2018	(EM)	005508785-0024
Jul. 20, 2018	(EM)	005508785-0038
Jul. 20, 2018	(EM)	005508785-0042

(51) **LOC (12) Cl.** **15-02**

(52) **U.S. Cl.**
USPC **D15/7**

(58) **Field of Classification Search**
USPC D15/7-9; D23/231, 232, 225
CPC F02M 37/04; F02M 37/14
See application file for complete search history.

(56) **References Cited**

U.S. PATENT DOCUMENTS

D242,650 S	*	12/1976	McKesson	D15/5
D247,967 S	*	5/1978	Hartnett	D15/7
D283,425 S	*	4/1986	Bingler	D15/7
D293,912 S	*	1/1988	Wilgus	D15/7

D293,913 S	*	1/1988	Wilgus	D15/7
D349,710 S	*	8/1994	Moro	D15/7
D418,847 S	*	1/2000	Ichihara	D15/143
D549,250 S	*	8/2007	Salomaa	D15/143
D549,251 S	*	8/2007	Salomaa	D15/143
D549,252 S	*	8/2007	Salomaa	D15/143
D549,253 S	*	8/2007	Salomaa	D15/143
D637,209 S	*	5/2011	Wessol	D15/7
D641,379 S	*	7/2011	Milojevic	D15/7
D641,380 S	*	7/2011	Milojevic	D15/7
D641,381 S	*	7/2011	Milojevic	D15/7
D644,666 S	*	9/2011	Fukano	D15/7
D650,813 S	*	12/2011	Varini	D15/7
D697,532 S	*	1/2014	Varini	D15/7
D706,836 S	*	6/2014	Giordano	D15/15
D729,292 S	*	5/2015	Hawa	D15/123
D780,226 S	*	2/2017	Nelson	D15/7
D809,023 S	*	1/2018	Luke	D15/7
D827,674 S	*	9/2018	Darley	D15/7
D831,704 S	*	10/2018	Inskeep	D15/9
D858,582 S	*	9/2019	Shibazaki	D15/7
D861,734 S	*	10/2019	Hanselman	D15/7
D862,979 S	*	10/2019	Bryson	D7/397

* cited by examiner

Primary Examiner — Mitchell I. Siegel
(74) *Attorney, Agent, or Firm* — McGlew and Tuttle, P.C.

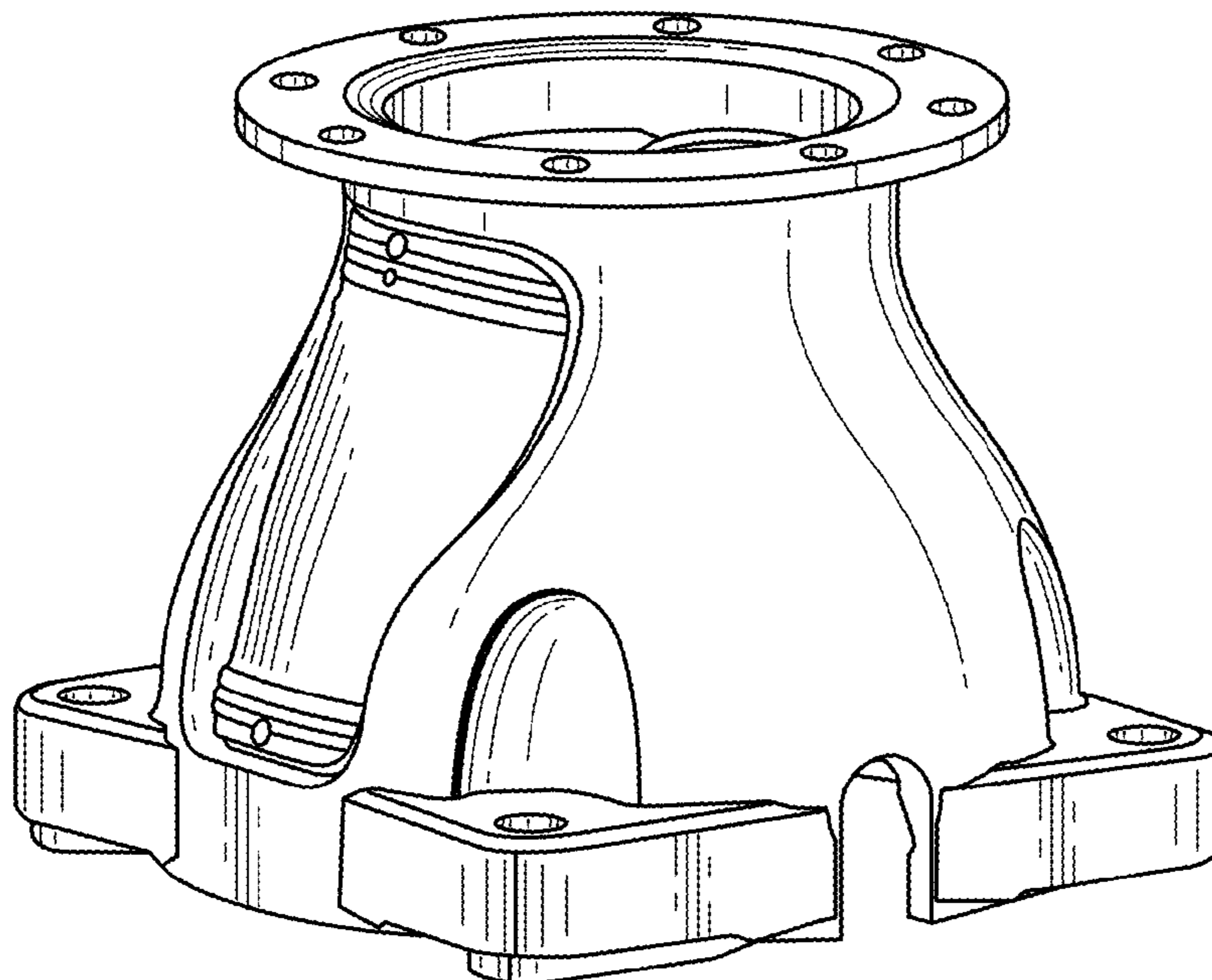
(57) **CLAIM**

The ornamental design for a pump, as shown and described.

DESCRIPTION

FIG. 1 is a top view of the pump;
FIG. 2 is a front perspective view thereof;
FIG. 3 is a right side view thereof;
FIG. 4 is a rear view thereof;
FIG. 5 is a left side view thereof;
FIG. 6 is a front view thereof; and,
FIG. 7 is a view of the bottom thereof.

1 Claim, 7 Drawing Sheets



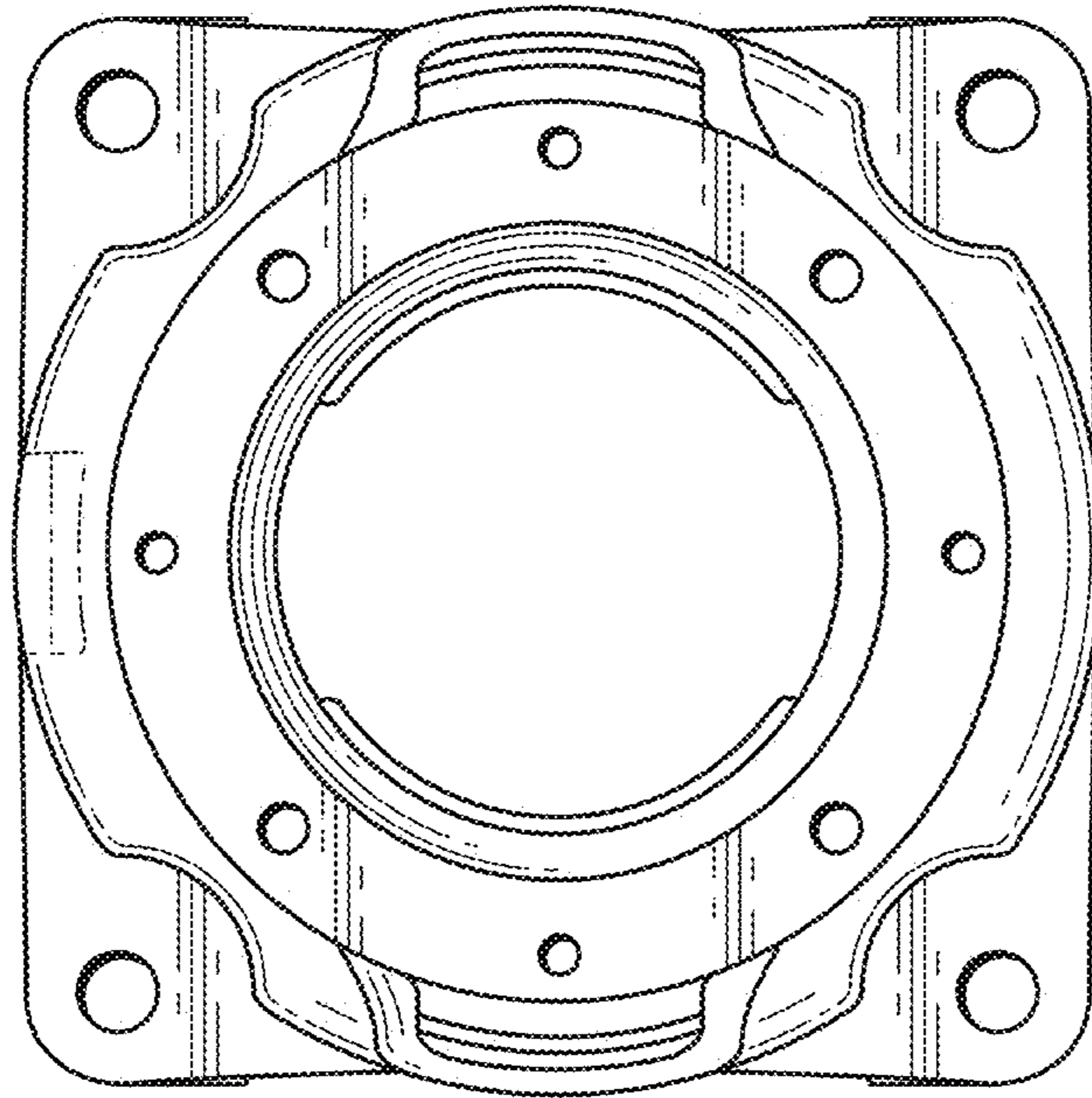


FIG. 1

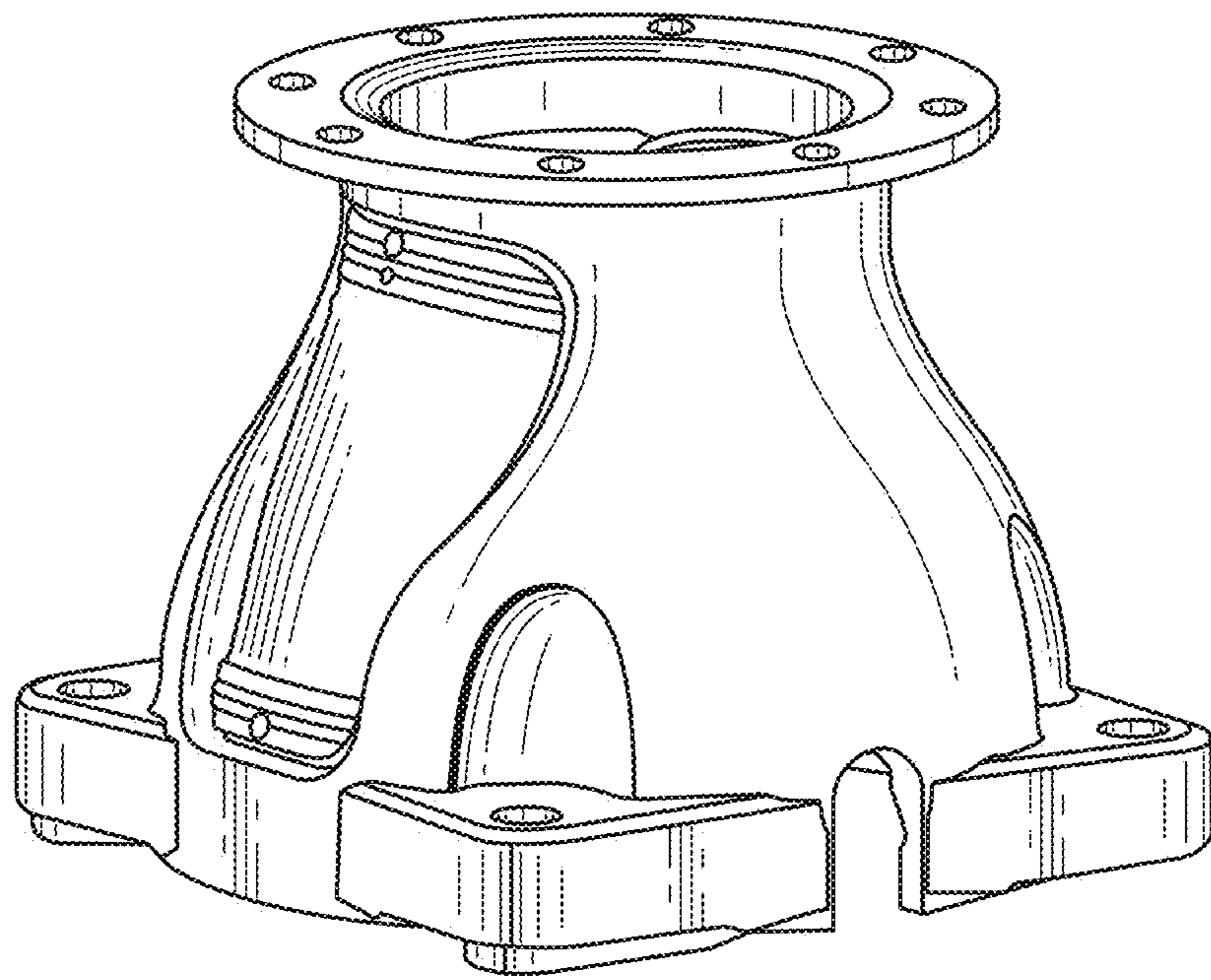


FIG. 2

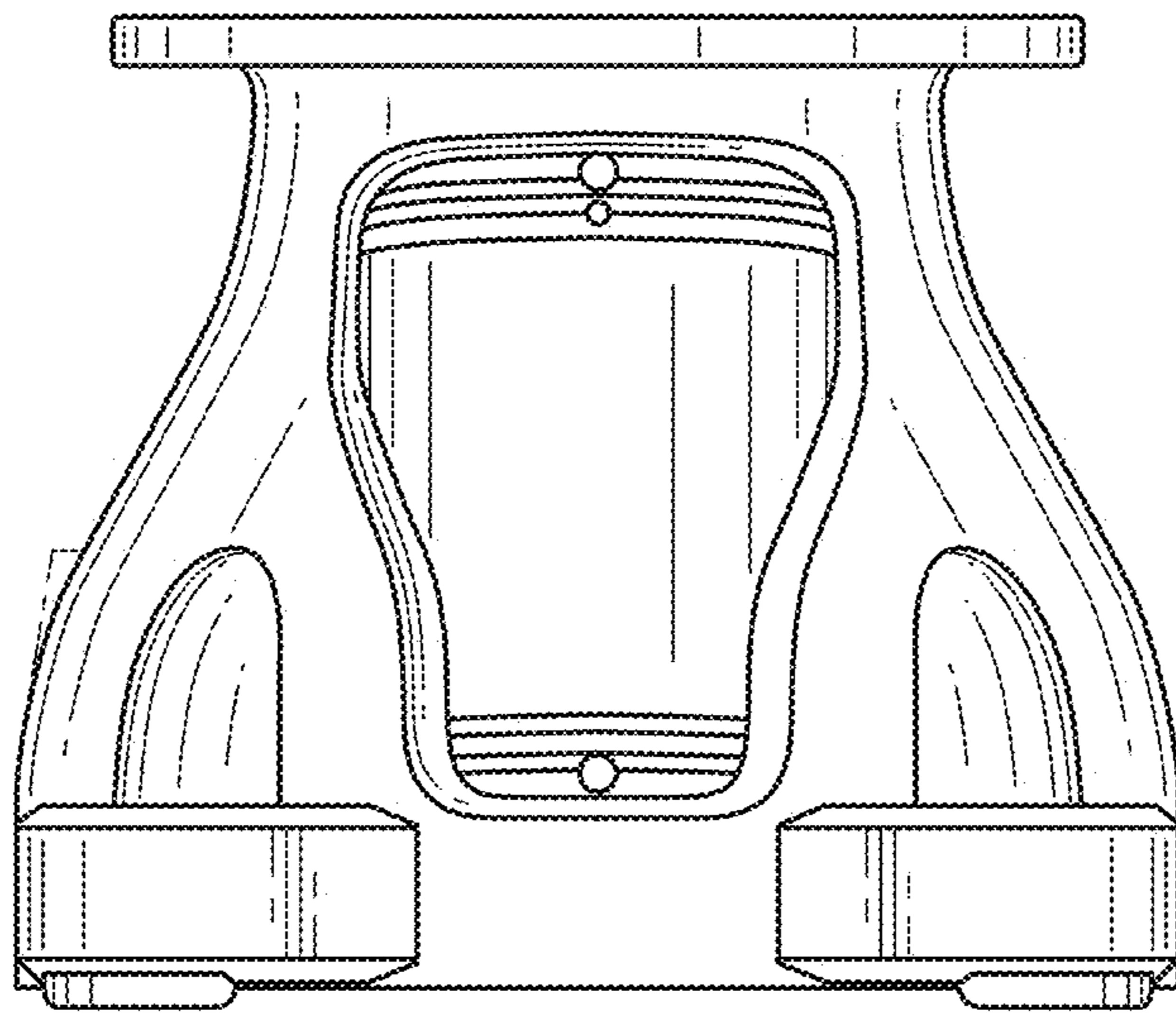


FIG. 3

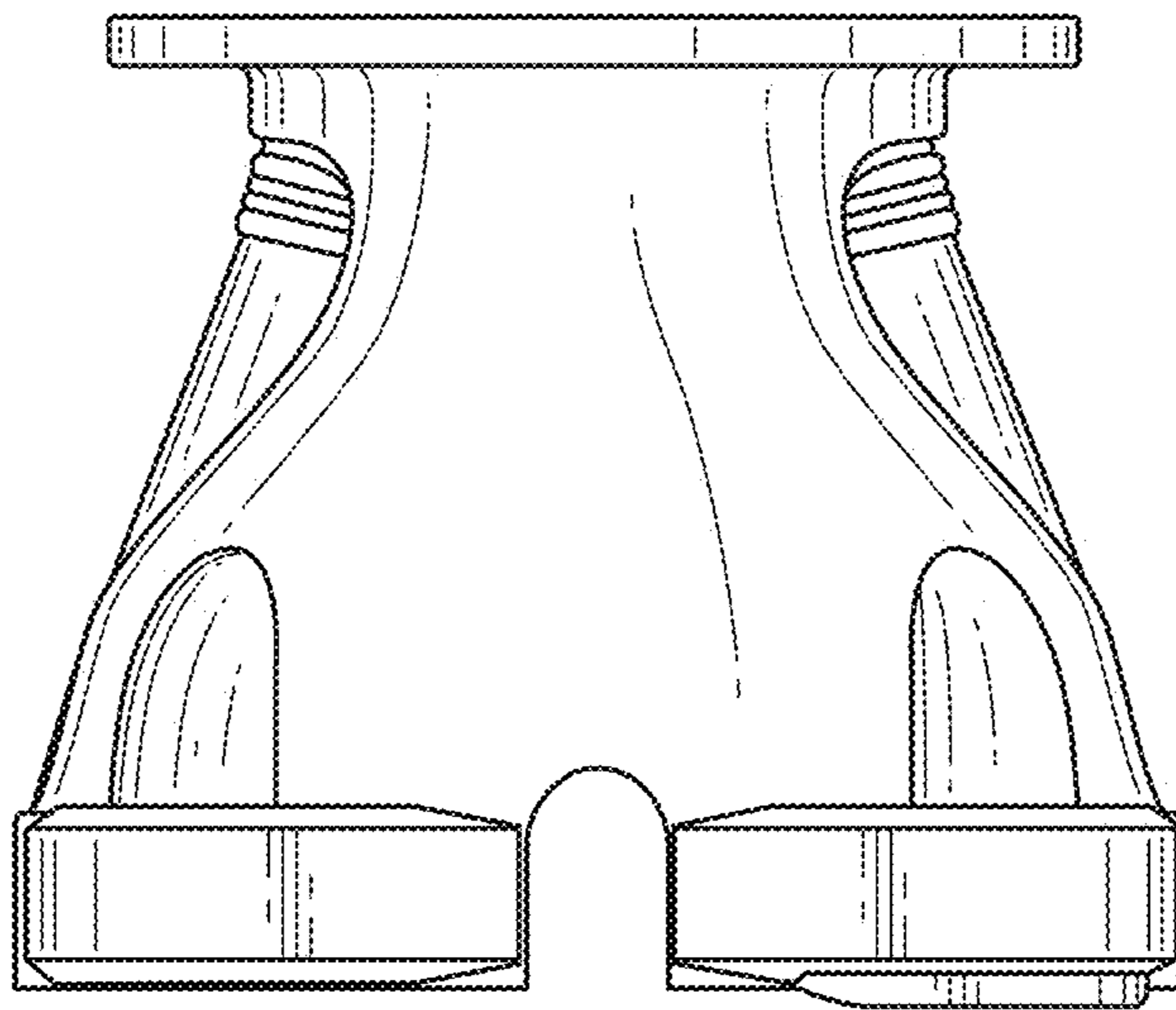


FIG. 4

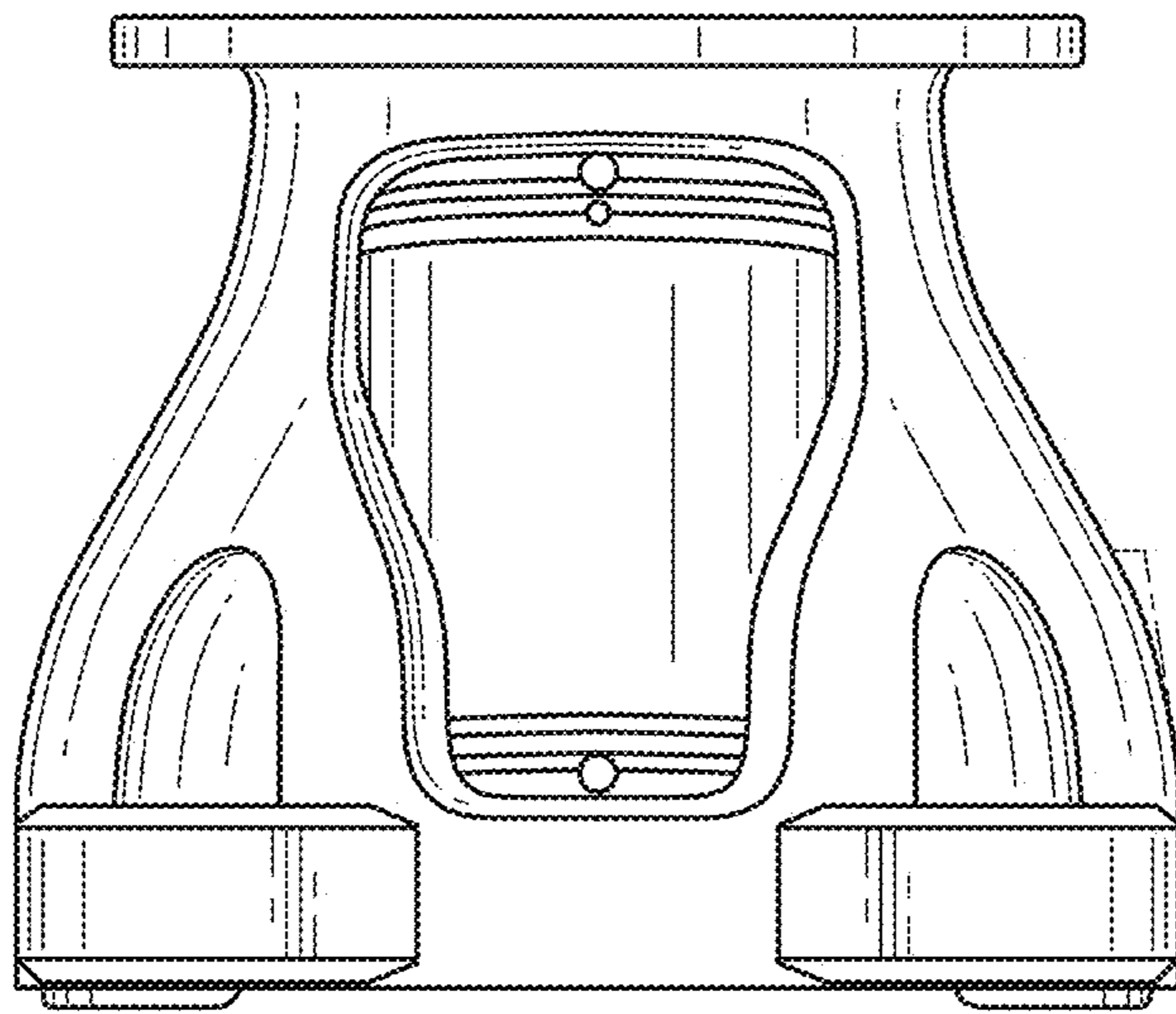


FIG. 5

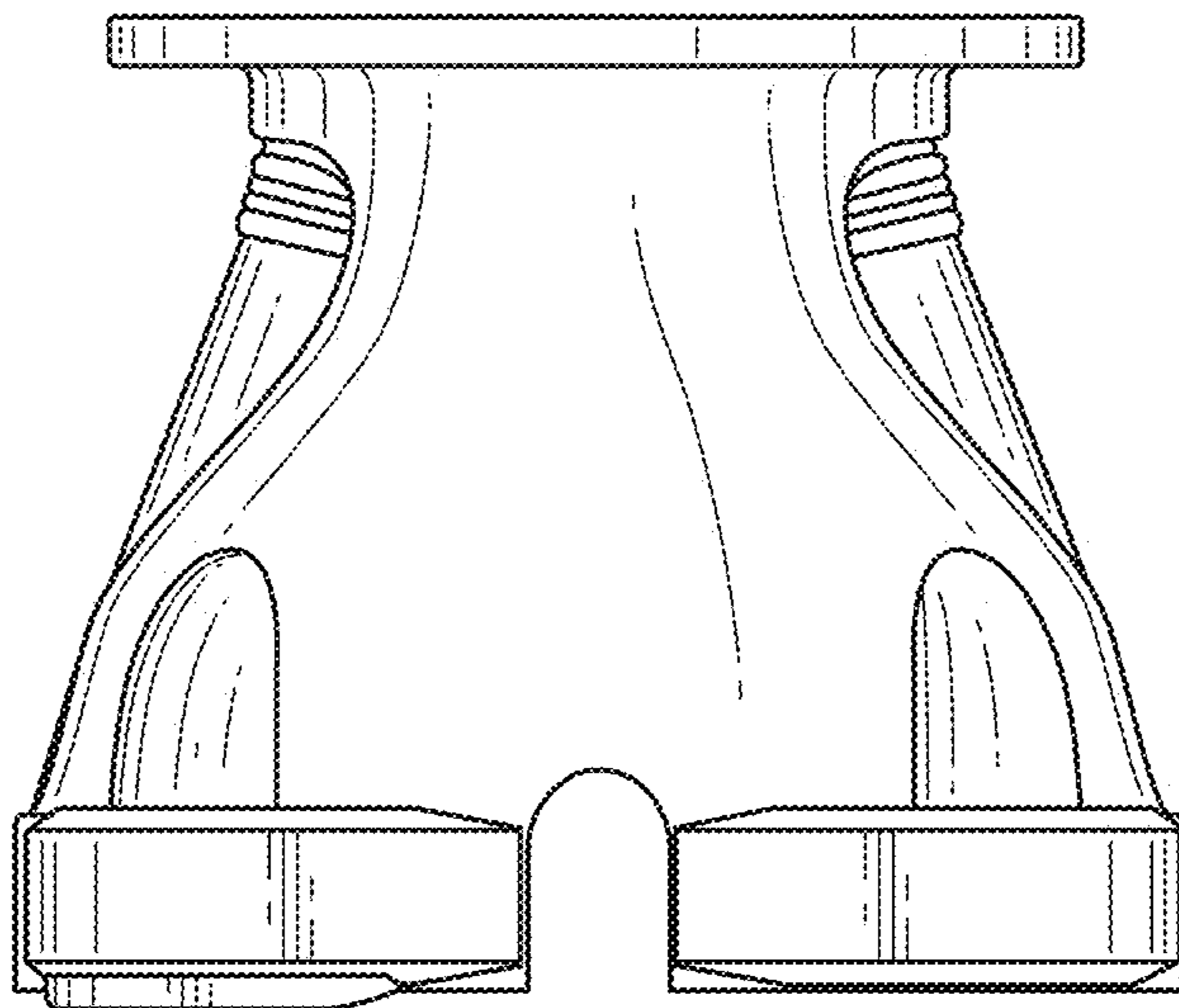


FIG. 6

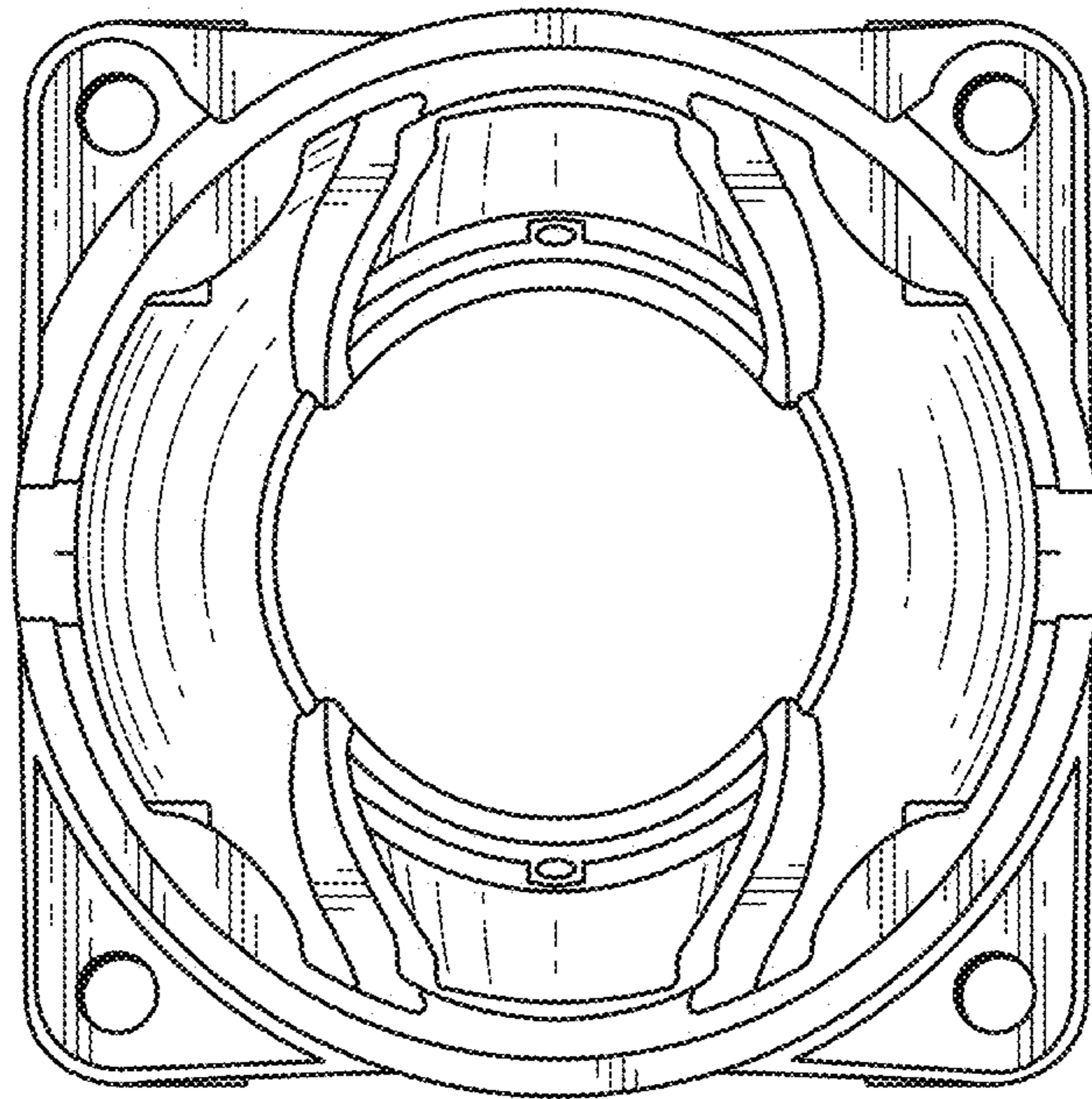


FIG. 7