



US00D901542S

(12) **United States Design Patent**  
**Conley et al.**

(10) **Patent No.:** **US D901,542 S**

(45) **Date of Patent:** **\*\* Nov. 10, 2020**

(54) **VACUUM PUMP**

(71) Applicant: **GARDNER DENVER, INC.**,  
Milwaukee, WI (US)

(72) Inventors: **Bernard Dale Conley**, Palmyra, MO  
(US); **Lukas Anthony Gray**, Loraine,  
IL (US); **Taylor Ross Stratman**,  
Quincy, IL (US); **Eric Lee Power**,  
Quincy, IL (US)

(73) Assignee: **GARDNER DENVER, INC.**,  
Milwaukee, WI (US)

(\*\*) Term: **15 Years**

(21) Appl. No.: **29/675,723**

(22) Filed: **Jan. 4, 2019**

(51) **LOC (12) Cl.** ..... **15-02**

(52) **U.S. Cl.**  
USPC ..... **D15/7**

(58) **Field of Classification Search**  
USPC ..... D15/7-9; D23/231, 232, 225  
CPC ..... F02M 37/04; F02M 37/14; F04B 53/92;  
F04B 1/005; F04D 13/06; F04D 29/22;  
F04D 29/46; F04D 29/2266

See application file for complete search history.

(56) **References Cited**

**U.S. PATENT DOCUMENTS**

D263,302 S *	3/1982	Terajima	.....	D15/7
D295,048 S *	4/1988	Kanno	.....	D15/7
D295,049 S *	4/1988	Kanno	.....	D15/7
D295,050 S *	4/1988	Kanno	.....	D15/7
D295,180 S *	4/1988	Kanno	.....	D15/7
D552,139 S *	10/2007	Cho	.....	D15/199
D557,718 S *	12/2007	Cho	.....	D15/199
D573,609 S *	7/2008	Bilger	.....	D15/7
D652,844 S *	1/2012	Hanitsch	.....	D15/7
D654,933 S *	2/2012	Yamanaka	.....	D15/7

D681,679 S *	5/2013	Osaka	.....	D15/7
D684,999 S *	6/2013	Osaka	.....	D15/7
D691,640 S *	10/2013	Oue	.....	D15/7
D723,064 S *	2/2015	Eisele	.....	D15/7
D765,147 S *	8/2016	Schaller	.....	D15/7
D785,679 S *	5/2017	Hartung	.....	D15/7
D791,191 S *	7/2017	Hartung	.....	D15/7
D818,004 S *	5/2018	Lee	.....	D15/7
D822,718 S *	7/2018	Hartung	.....	D15/7

**OTHER PUBLICATIONS**

Gardner Denver Legend Series blower cylinder, known and accessible to the public at least prior to Jan. 4, 2019, as illustrated and described in the accompanying drawings and statement of relevance (3 pages).

\* cited by examiner

*Primary Examiner* — Mitchell I. Siegel

(74) *Attorney, Agent, or Firm* — Michael Best & Friedrich LLP

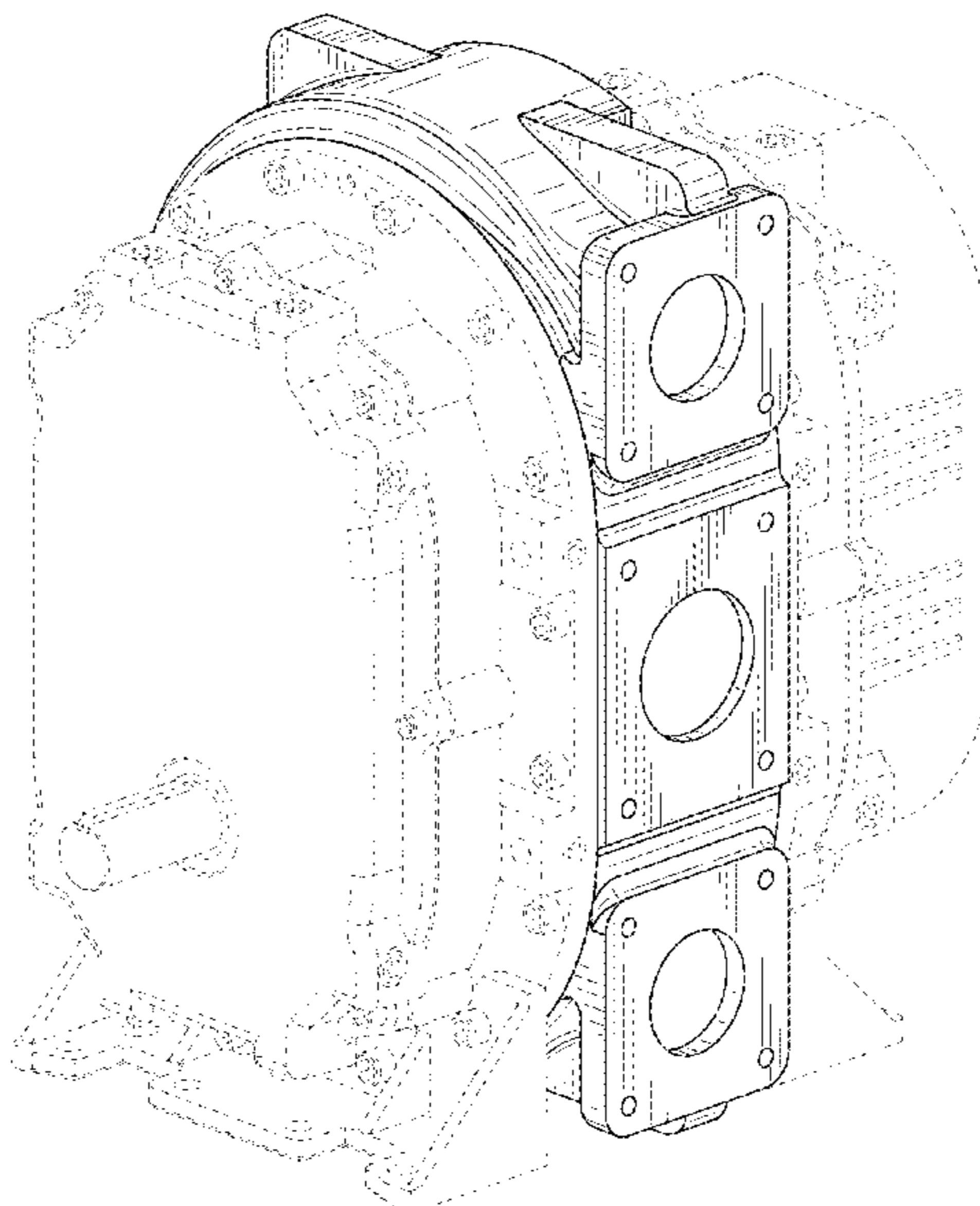
(57) **CLAIM**

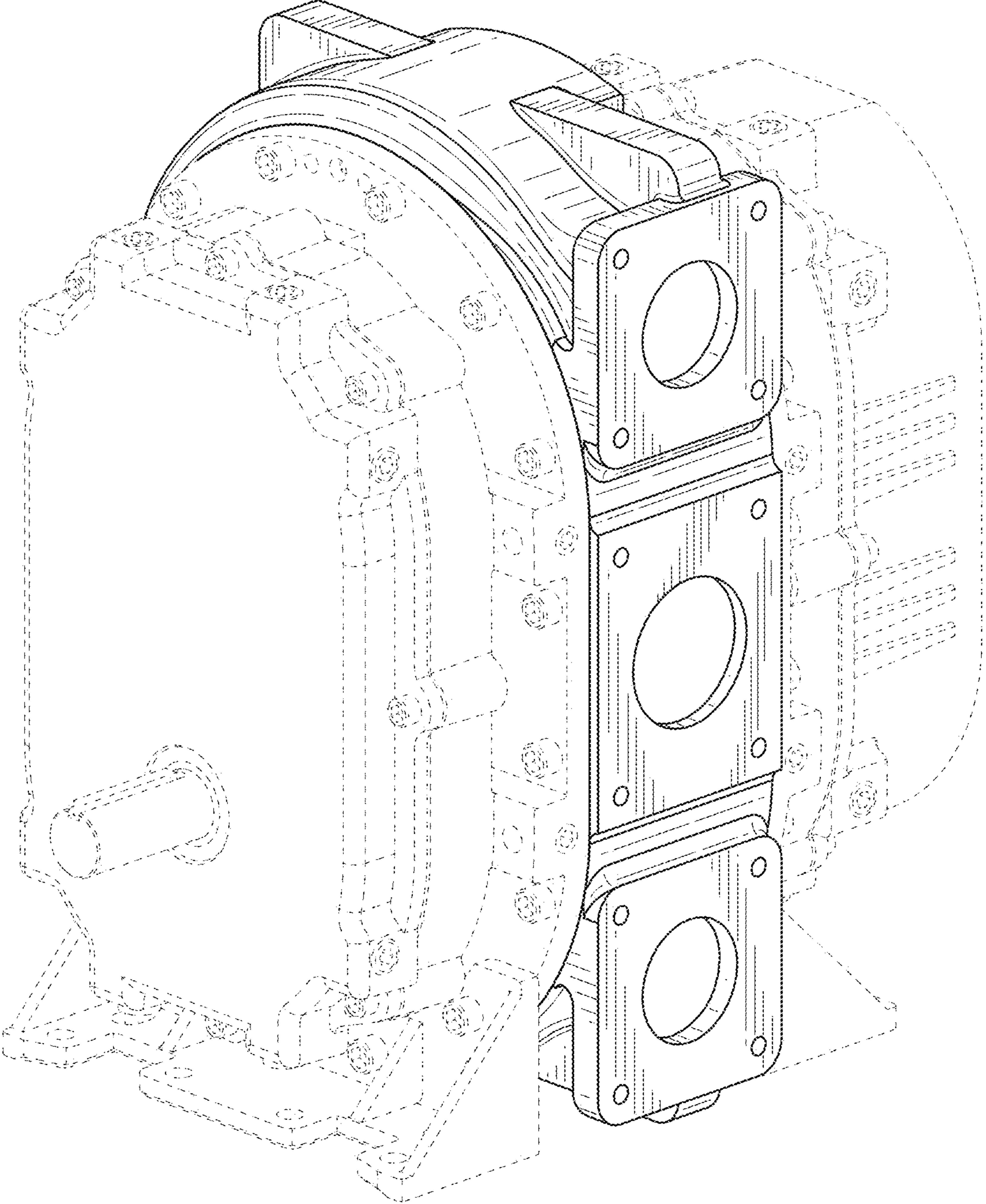
We claim the ornamental design for a vacuum pump, as shown and described.

**DESCRIPTION**

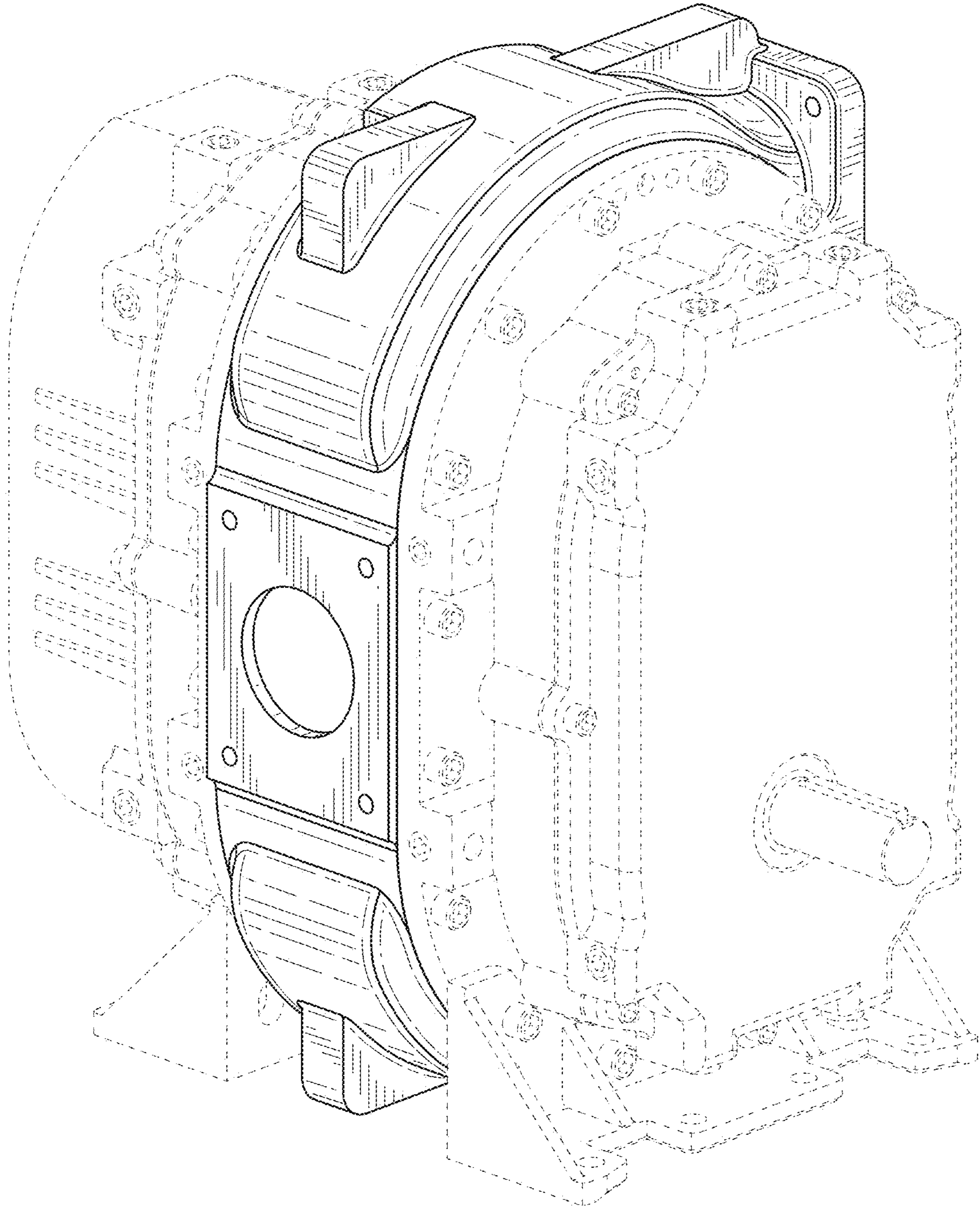
FIG. 1 is a front perspective view of a vacuum pump. FIG. 2 is another front perspective view of the vacuum pump of FIG. 1. FIG. 3 is a right side view of the vacuum pump of FIG. 1. FIG. 4 is a left side view of the vacuum pump of FIG. 1. FIG. 5 is a front view of the vacuum pump of FIG. 1. FIG. 6 is a rear view of the vacuum pump of FIG. 1. FIG. 7 is a top view of the vacuum pump of FIG. 1; and, FIG. 8 is a bottom view of the vacuum pump of FIG. 1. The elements shown in broken lines are included for the purpose of illustrating environment and form no part of the claimed design.

**1 Claim, 8 Drawing Sheets**

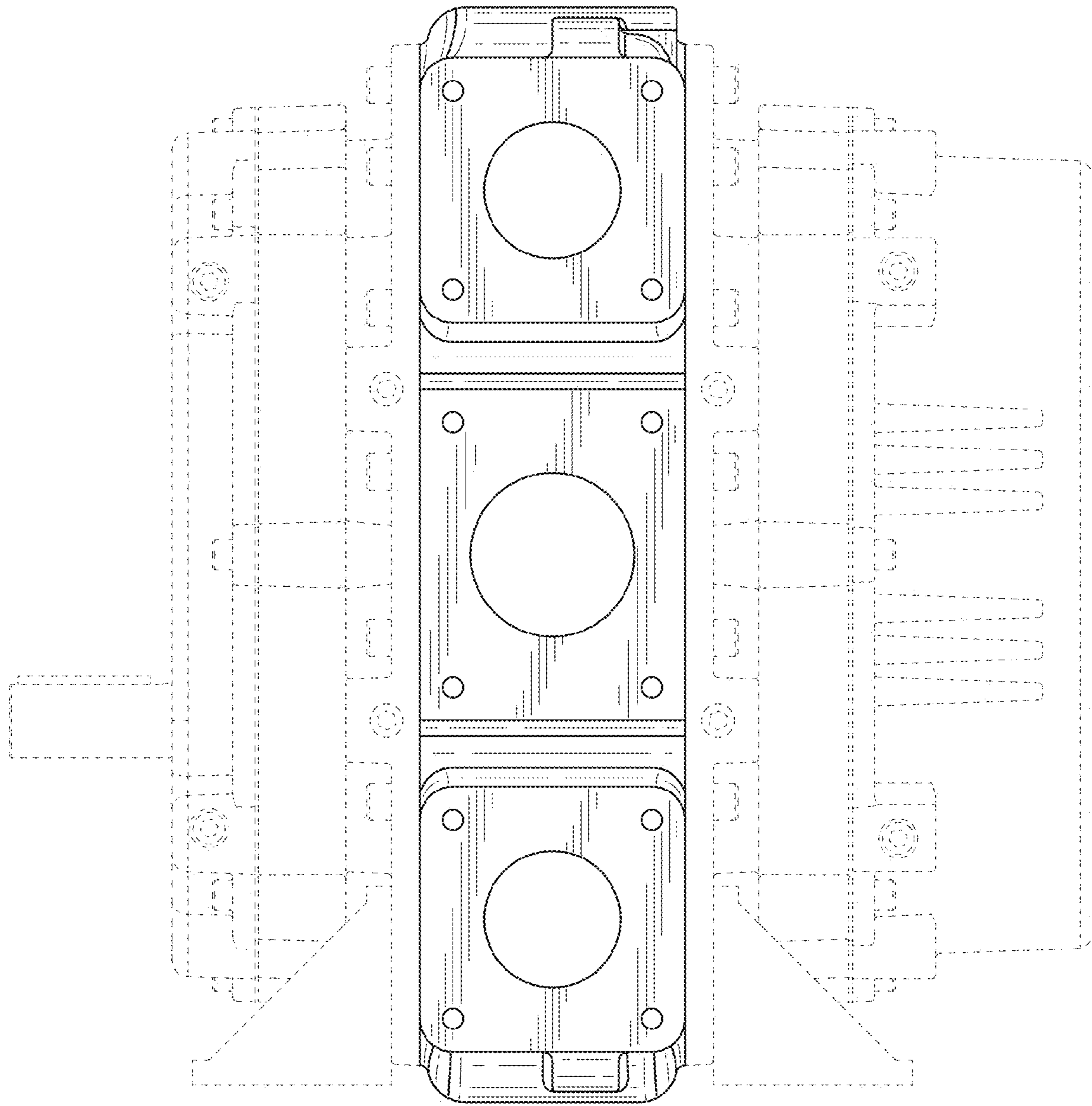




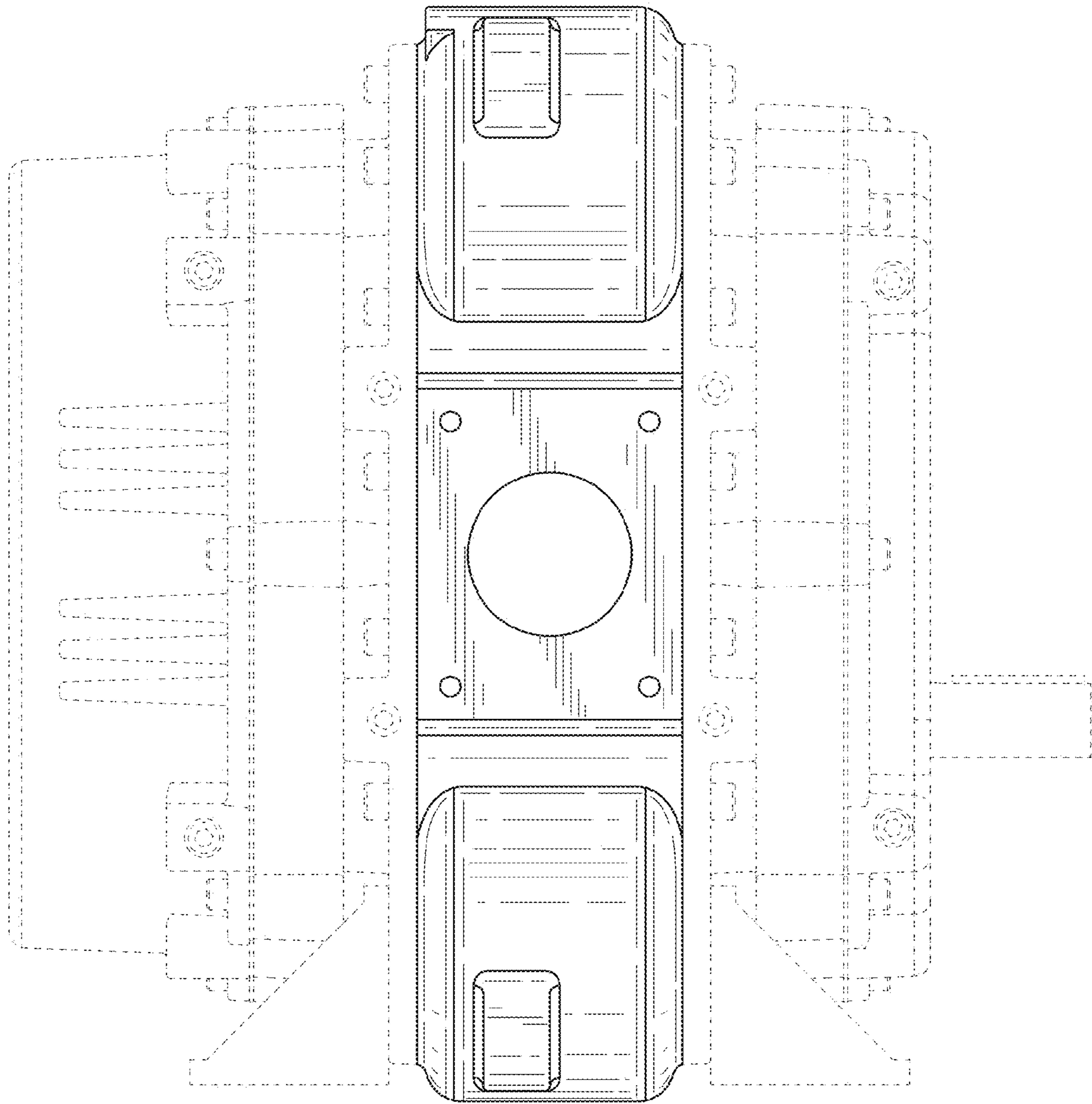
**FIG. 1**



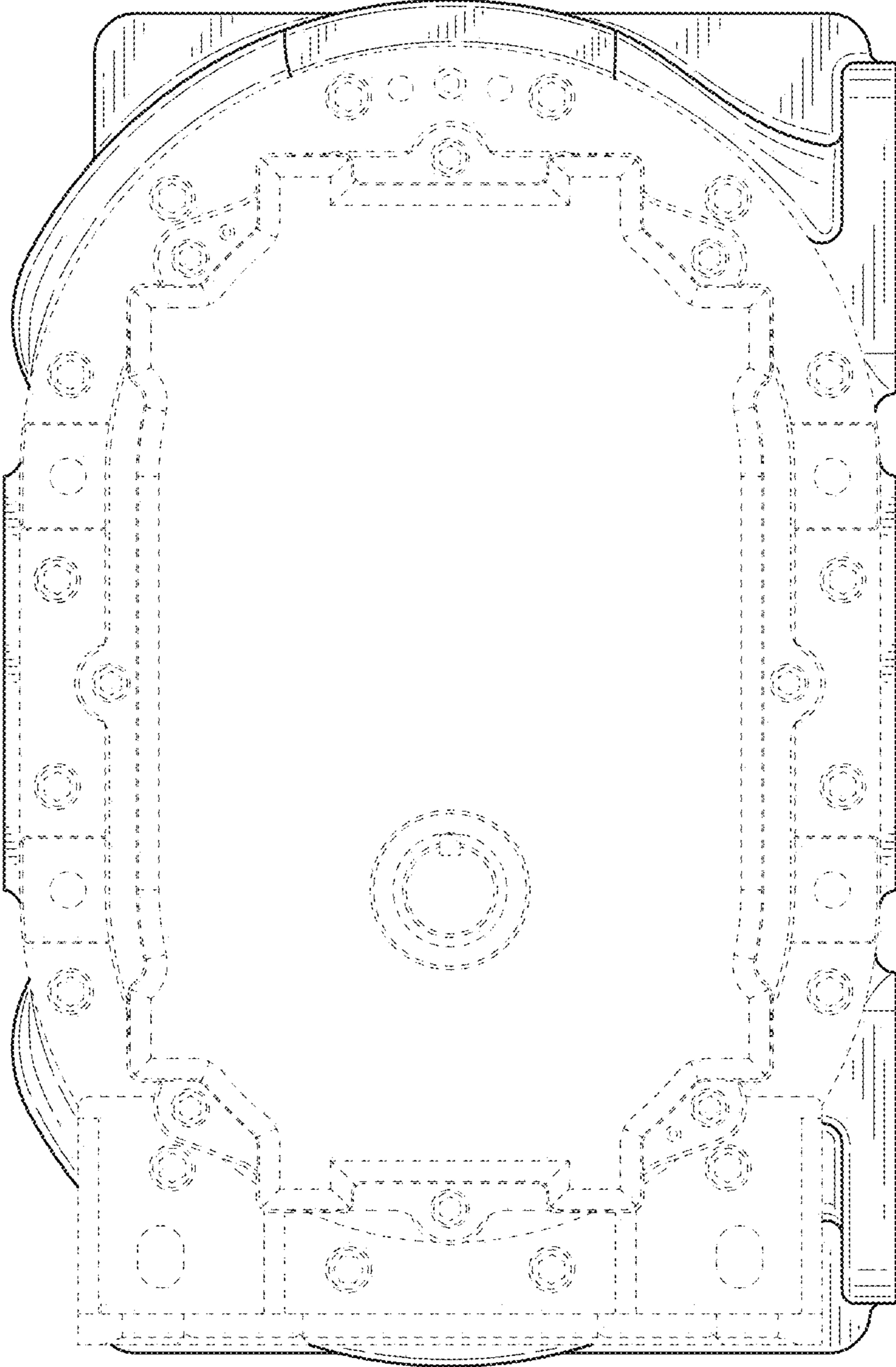
**FIG. 2**



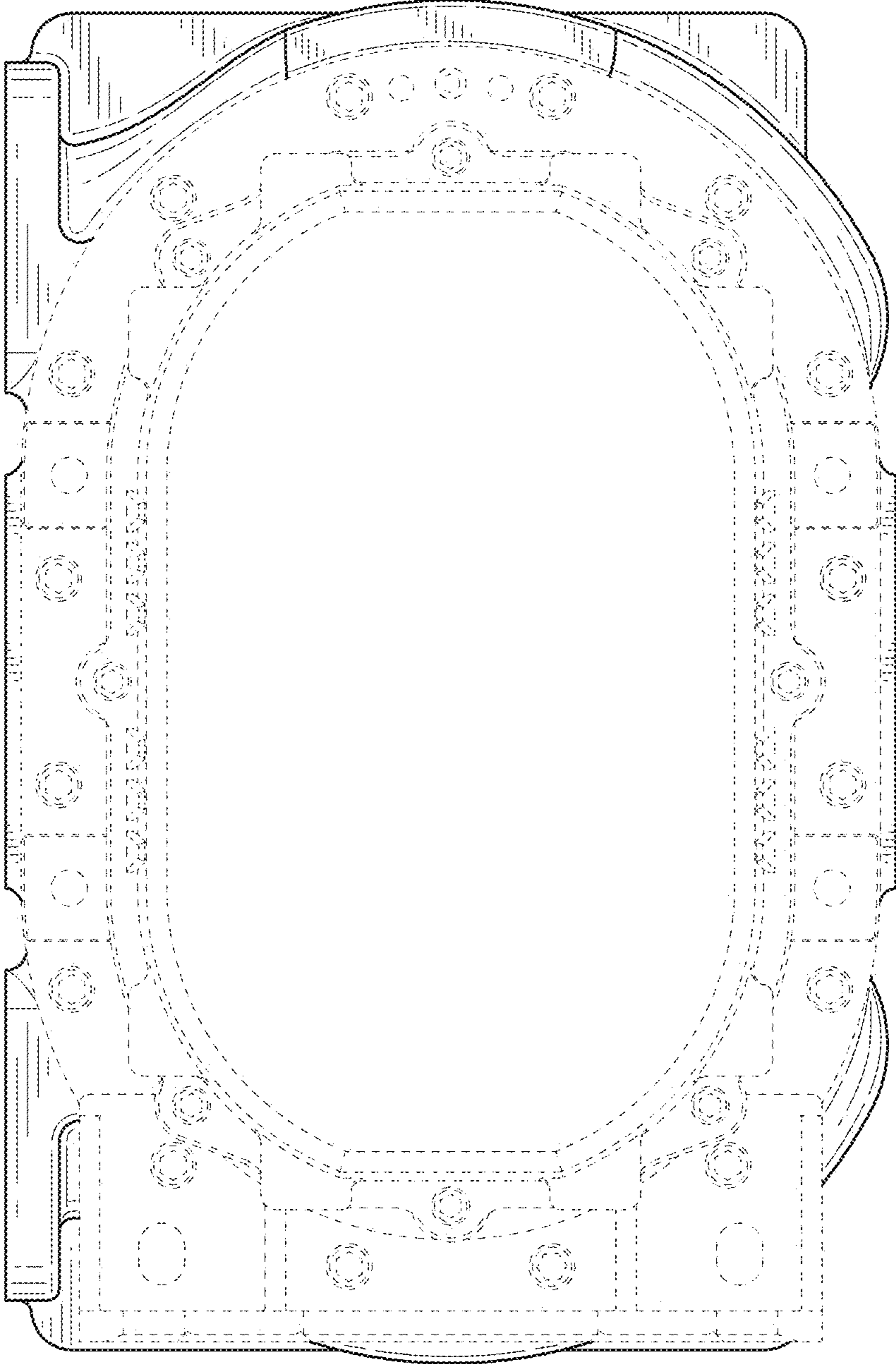
**FIG. 3**



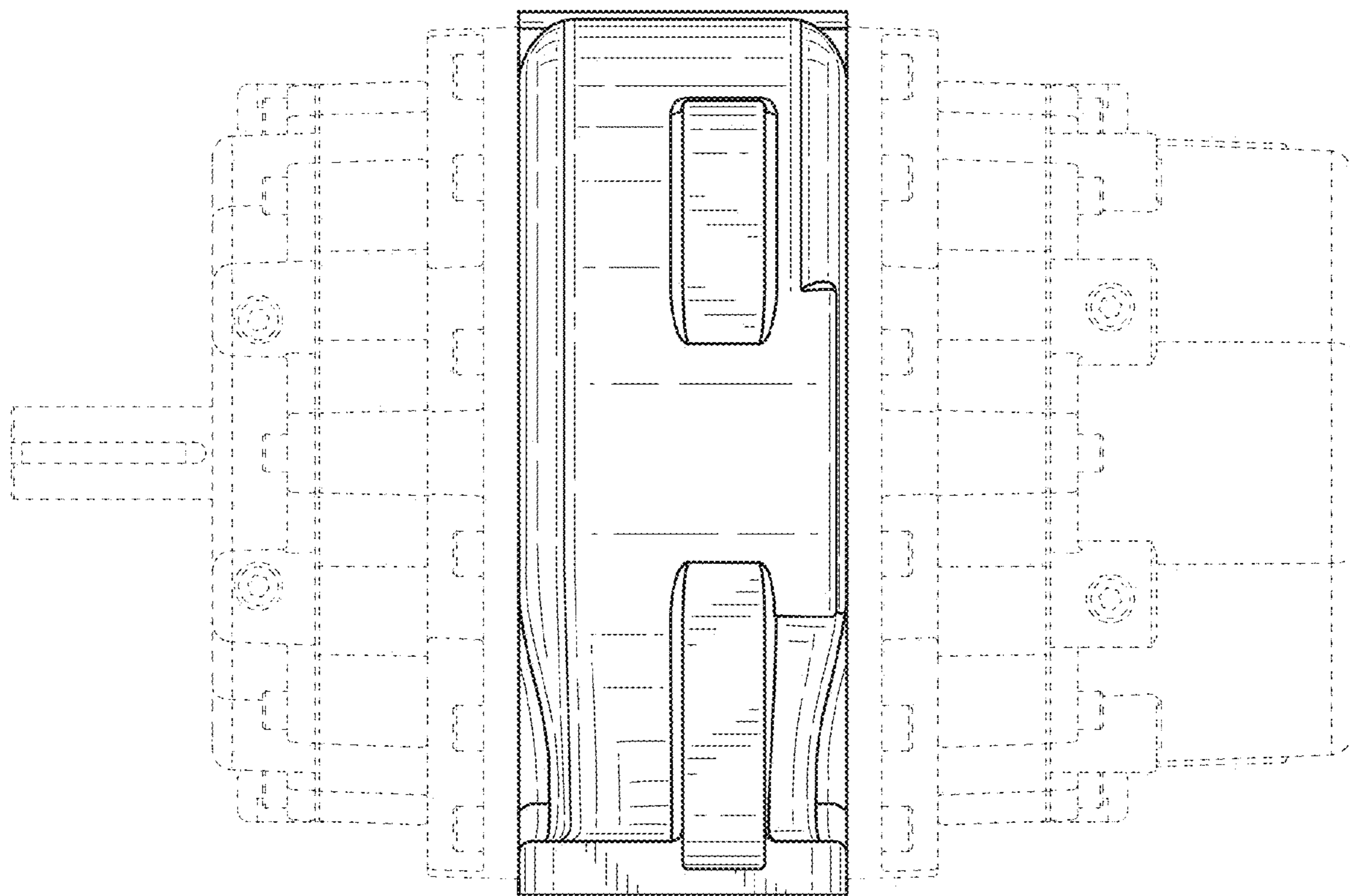
**FIG. 4**



**FIG. 5**

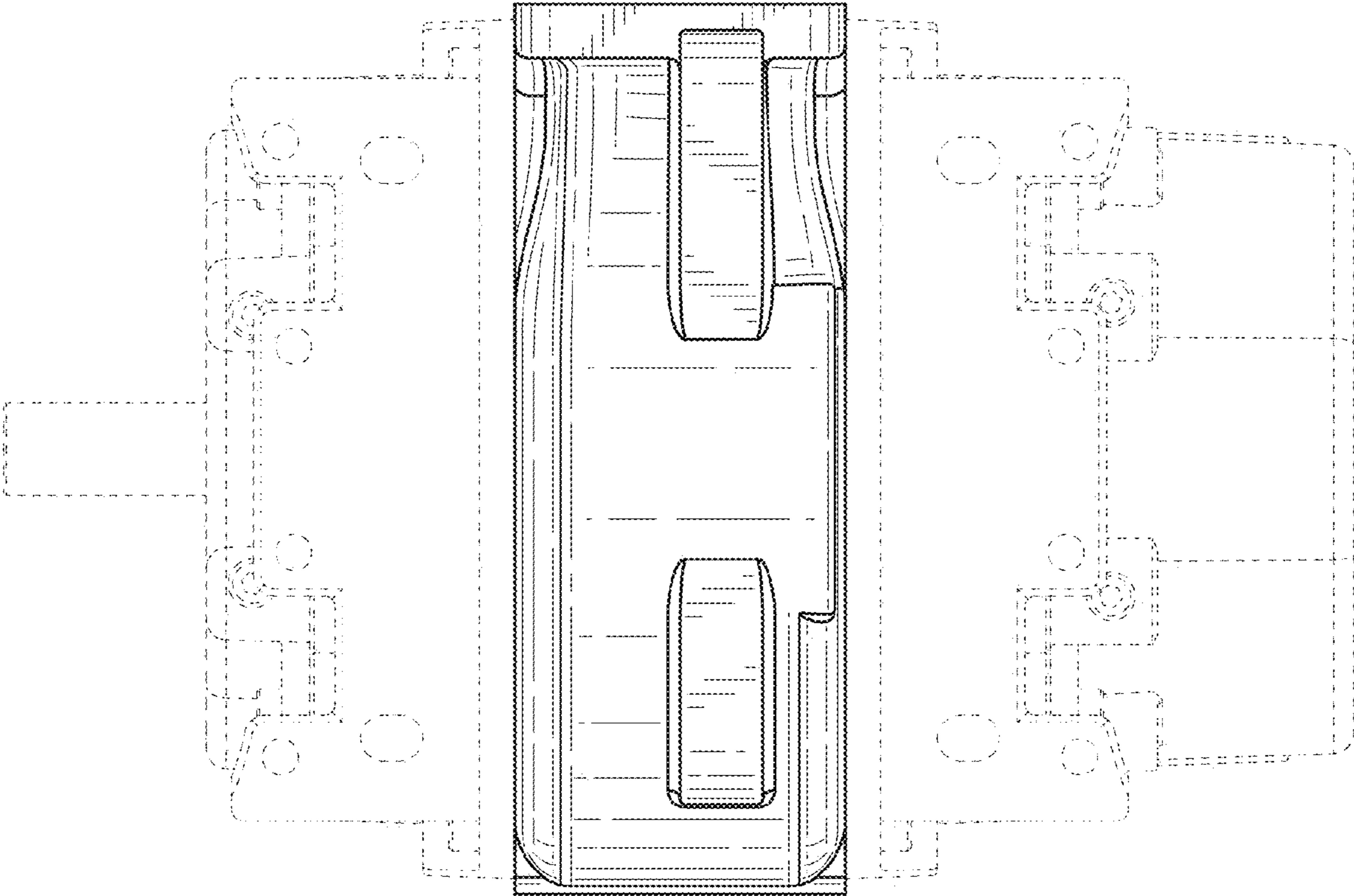


**FIG. 6**



**FIG. 7**





**FIG. 8**