



US00D901540S

(12) **United States Design Patent**
Collins et al.

(10) **Patent No.:** **US D901,540 S**

(45) **Date of Patent:** **** Nov. 10, 2020**

(54) **ENGINE MANIFOLD**

(71) Applicant: **RB Distribution, Inc.**, Colmar, PA
(US)

(72) Inventors: **Timothy Lee Collins**, Oxford, MI
(US); **Patrick Thomas Kennedy**,
Perkasie, PA (US); **Michael Paul
Capko**, Harleysville, PA (US)

(73) Assignee: **RB Distribution, Inc.**, Colmar, PA
(US)

(**) Term: **15 Years**

(21) Appl. No.: **29/675,564**

(22) Filed: **Jan. 3, 2019**

(51) **LOC (12) Cl.** **15-01**

(52) **U.S. Cl.**
USPC **D15/5**

(58) **Field of Classification Search**
USPC D12/194; D13/147; D15/1-6, 14, 17,
D15/28; D23/233

CPC F02M 35/048; F02M 35/10137; F02M
35/1255; F02M 35/161; F02M
35/10-10393; F02B 29/0475

See application file for complete search history.

(56) **References Cited**

U.S. PATENT DOCUMENTS

4,676,514	A *	6/1987	Beutter	F02M 35/10078
					277/596
5,490,488	A *	2/1996	Aversa	F02B 75/22
					123/184.31
D376,602	S *	12/1996	Yamanaka	D15/5
D533,194	S *	12/2006	Cimbura	D15/5
D679,288	S *	4/2013	Grubisich	D15/5
D685,706	S *	7/2013	Cruz	D12/194
D700,563	S *	3/2014	Glaeser	D12/194
D700,621	S *	3/2014	Capko	D15/5

D802,628	S *	11/2017	Fischetto	D15/5
D812,100	S *	3/2018	Litchfield	D15/5
D839,311	S *	1/2019	Shurdim	D15/5
10,323,609	B1 *	6/2019	Collins	F01N 5/04
D853,920	S *	7/2019	Hudnall	D12/194
D863,362	S *	10/2019	Shurdim	D15/5
D880,528	S *	4/2020	Shurdim	D15/5
2004/0194750	A1 *	10/2004	Tanikawa	F02M 35/10039
					123/184.42

(Continued)

OTHER PUBLICATIONS

The disclosed photograph shows a prior art OEM Intake Manifold, which is "Admitted Prior Art."

Primary Examiner — Sheryl Lane

Assistant Examiner — Mark T Philipps

(74) *Attorney, Agent, or Firm* — Volpe Koenig

(57) **CLAIM**

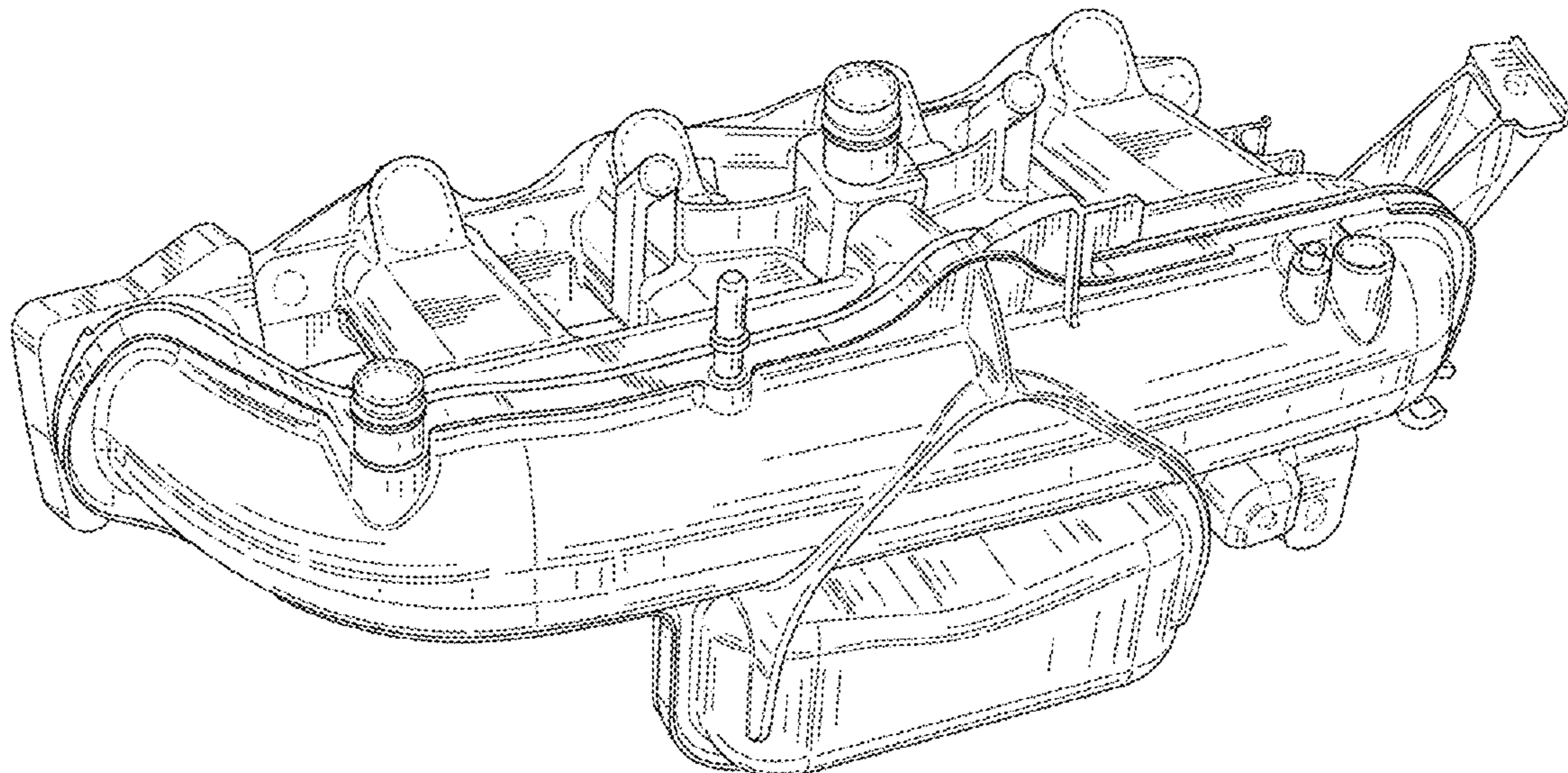
The ornamental design for an engine manifold, as shown and described.

DESCRIPTION

FIG. 1 is a front perspective of our engine manifold;
FIG. 2 is a right side perspective of the engine manifold in FIG. 1;
FIG. 3 is a front view of the engine manifold in FIG. 1;
FIG. 4 is a rear view of the engine manifold in FIG. 1;
FIG. 5 is left side view of the engine manifold in FIG. 1;
FIG. 6 is a right side view of the engine manifold in FIG. 1;
FIG. 7 is a top view of the engine manifold in FIG. 1;
FIG. 8 is a bottom view of the engine manifold in FIG. 1;
and,
FIG. 9 is an environmental view of the engine manifold in FIG. 1 mounted on an engine.

The broken line showing portions of an engine manifold is for the purpose of illustrating environment and forms no part of the claimed design.

1 Claim, 9 Drawing Sheets



(56)

References Cited

U.S. PATENT DOCUMENTS

2005/0133009 A1* 6/2005 Rowells F02M 35/10078
123/456
2007/0044777 A1* 3/2007 Redon F02M 35/10288
123/568.12
2009/0301423 A1* 12/2009 Usuda F02M 35/112
123/184.42
2011/0277723 A1* 11/2011 Galeazzi F02F 1/243
123/193.5
2012/0227687 A1* 9/2012 Galeazzi F01N 13/105
123/41.82 R
2014/0326226 A1* 11/2014 Senda F01M 13/0011
123/573
2016/0061166 A1* 3/2016 Tanaka F02M 35/10222
123/184.22
2016/0153409 A1* 6/2016 Sudo F02M 35/104
123/184.61
2017/0067424 A1* 3/2017 Krogdahl F02M 35/116
2017/0167452 A1* 6/2017 Tachikawa F02M 35/10052
2018/0179999 A1* 6/2018 Yoshioka F01M 13/022
2019/0203682 A1* 7/2019 Kim F01M 13/0011

* cited by examiner

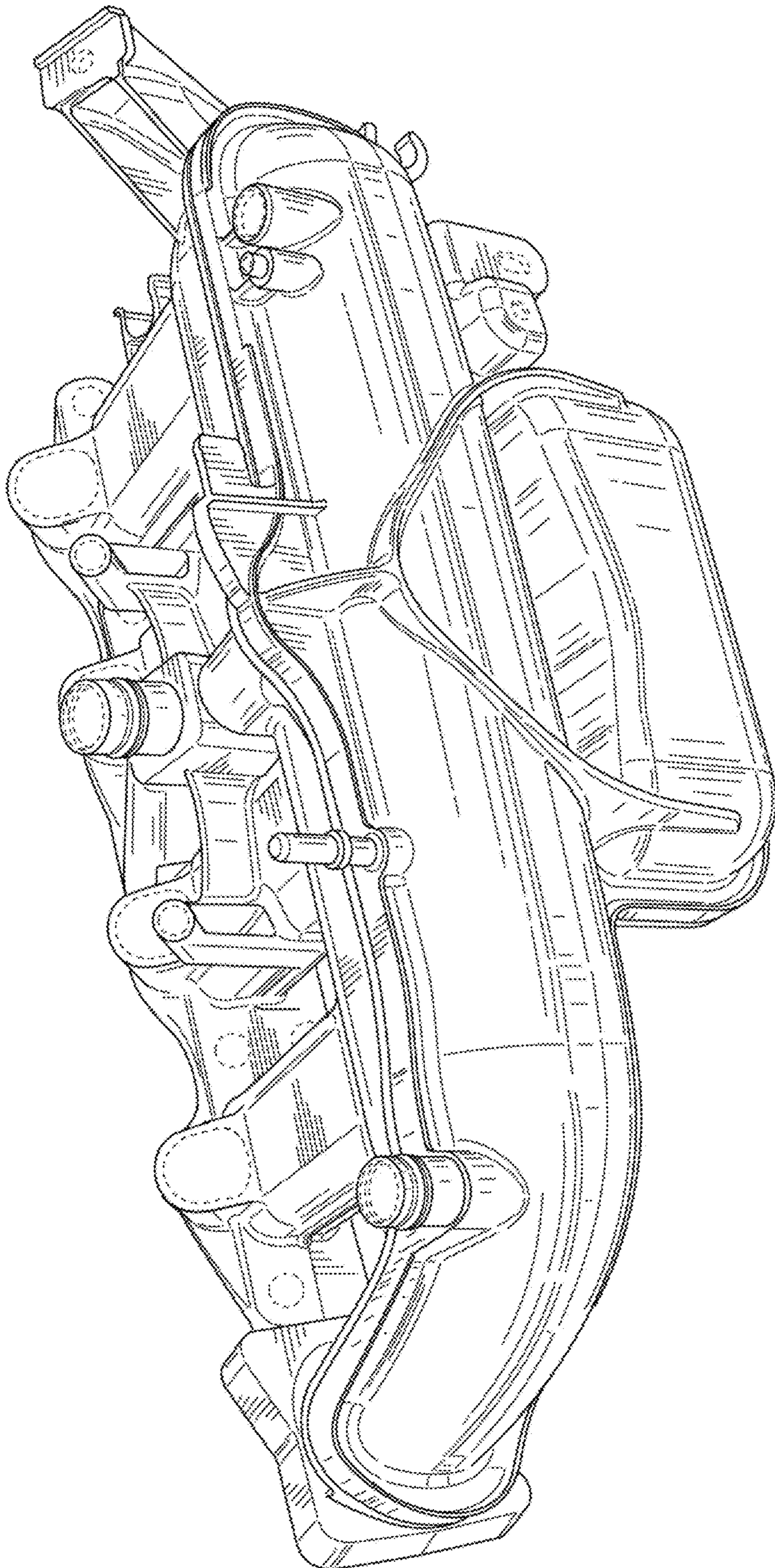


FIG. 1

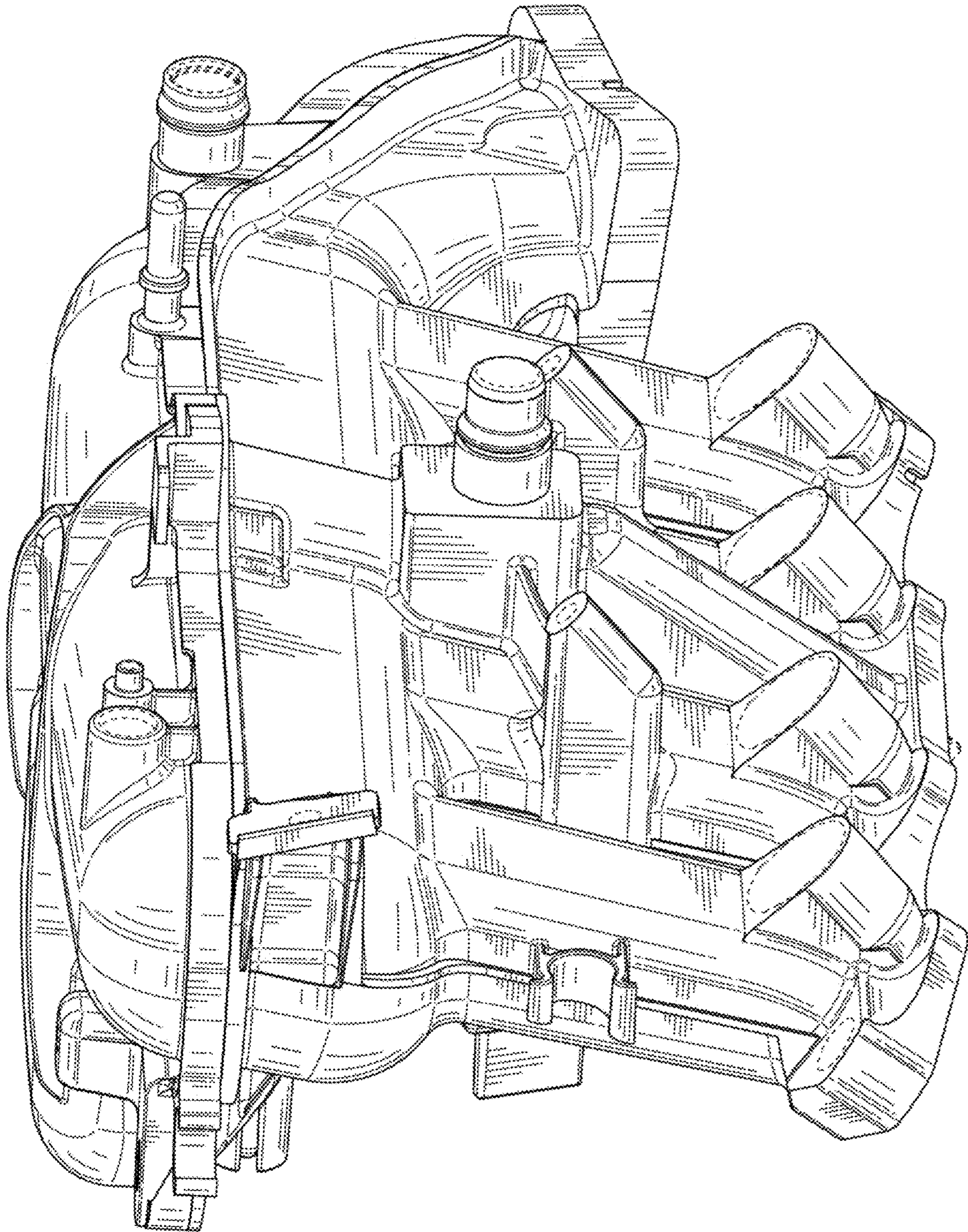


FIG. 2

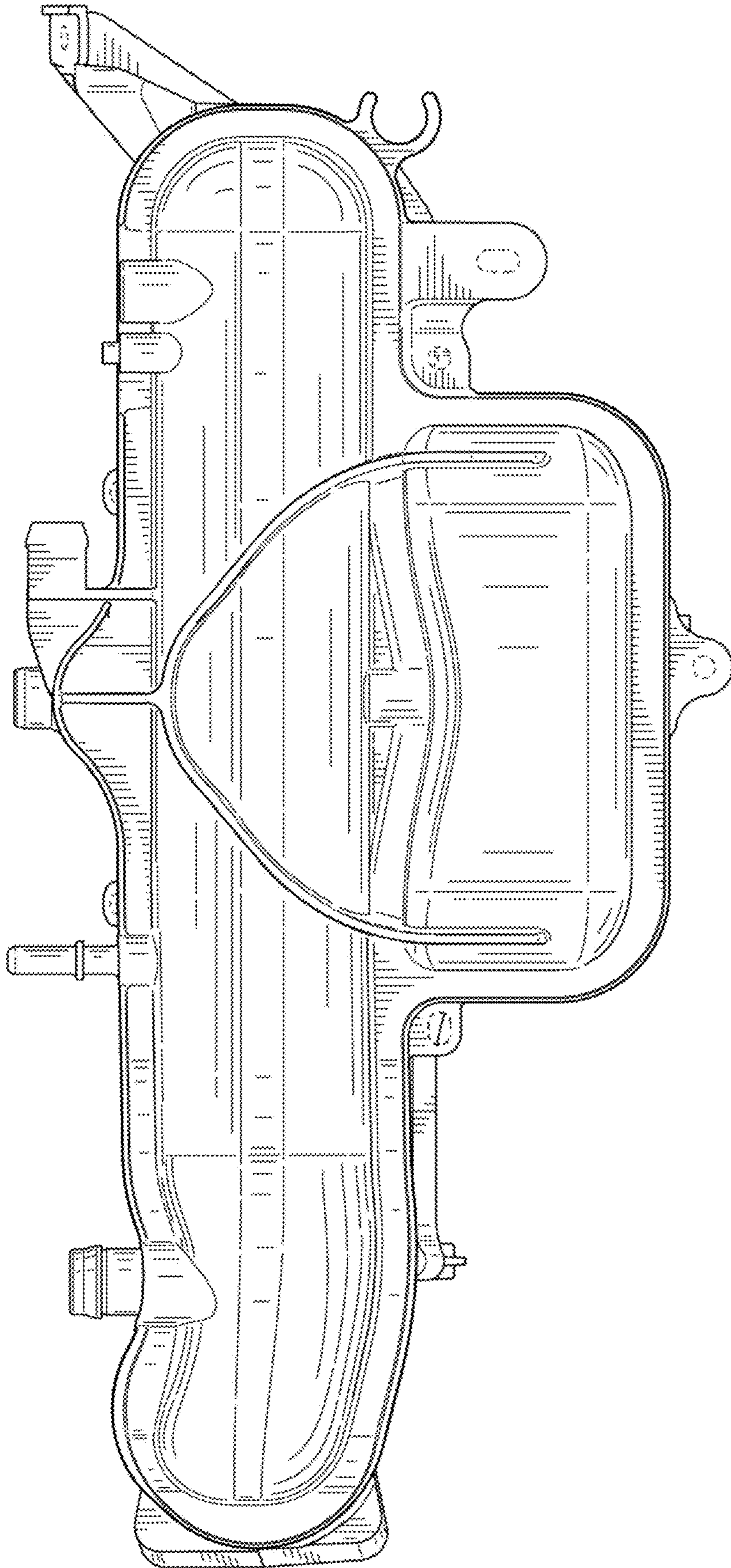


FIG. 3

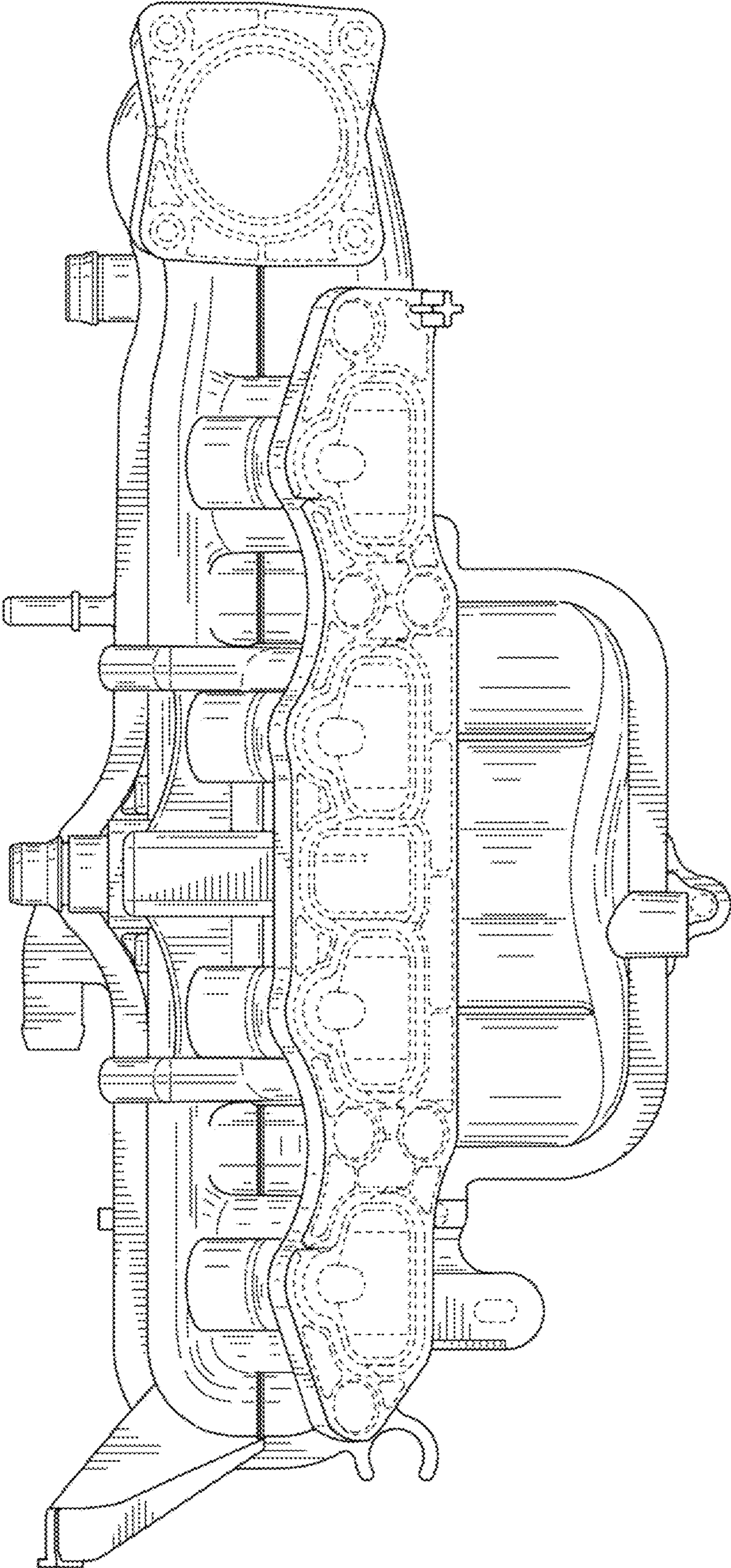


FIG. 4

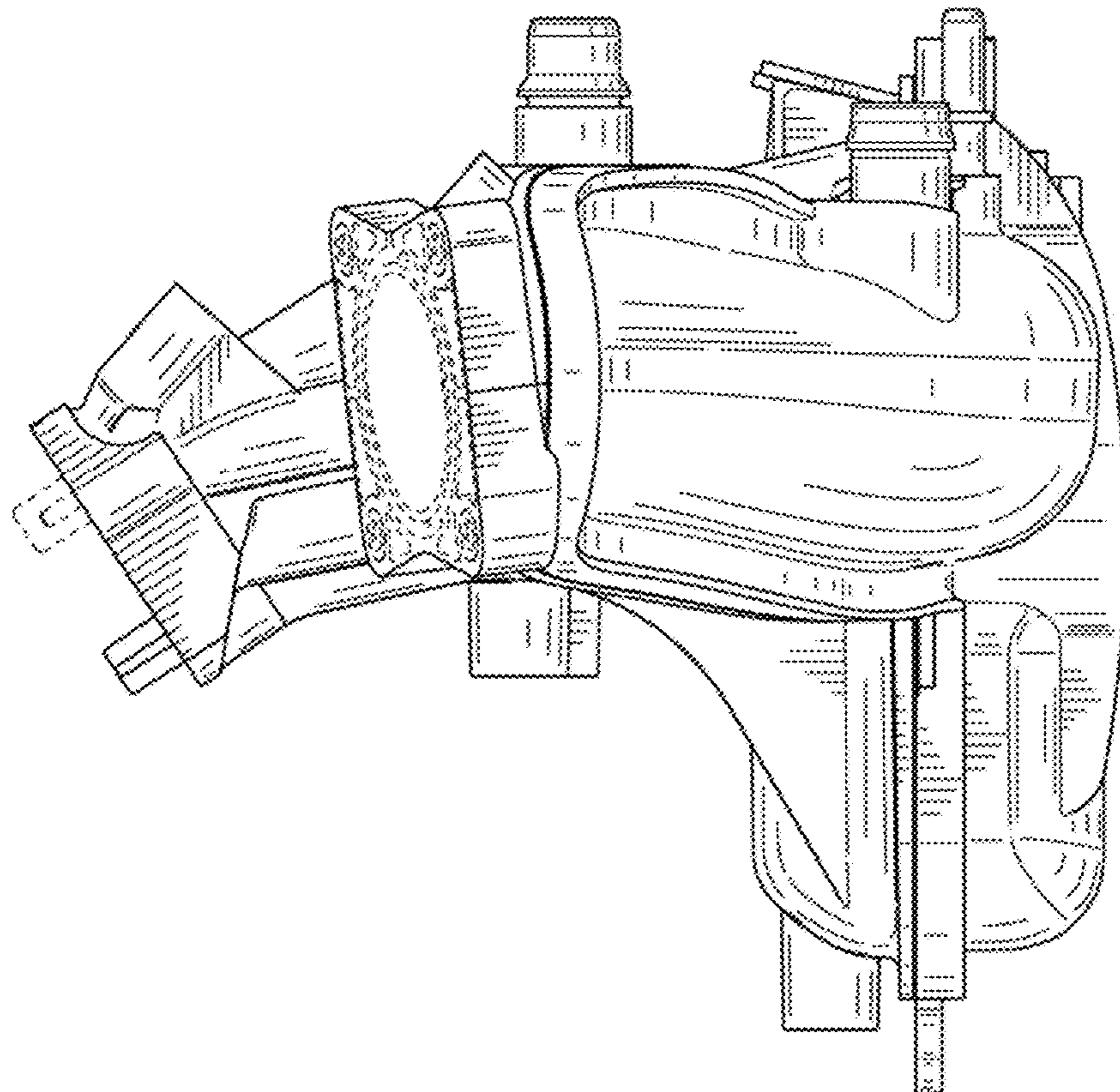


FIG. 5

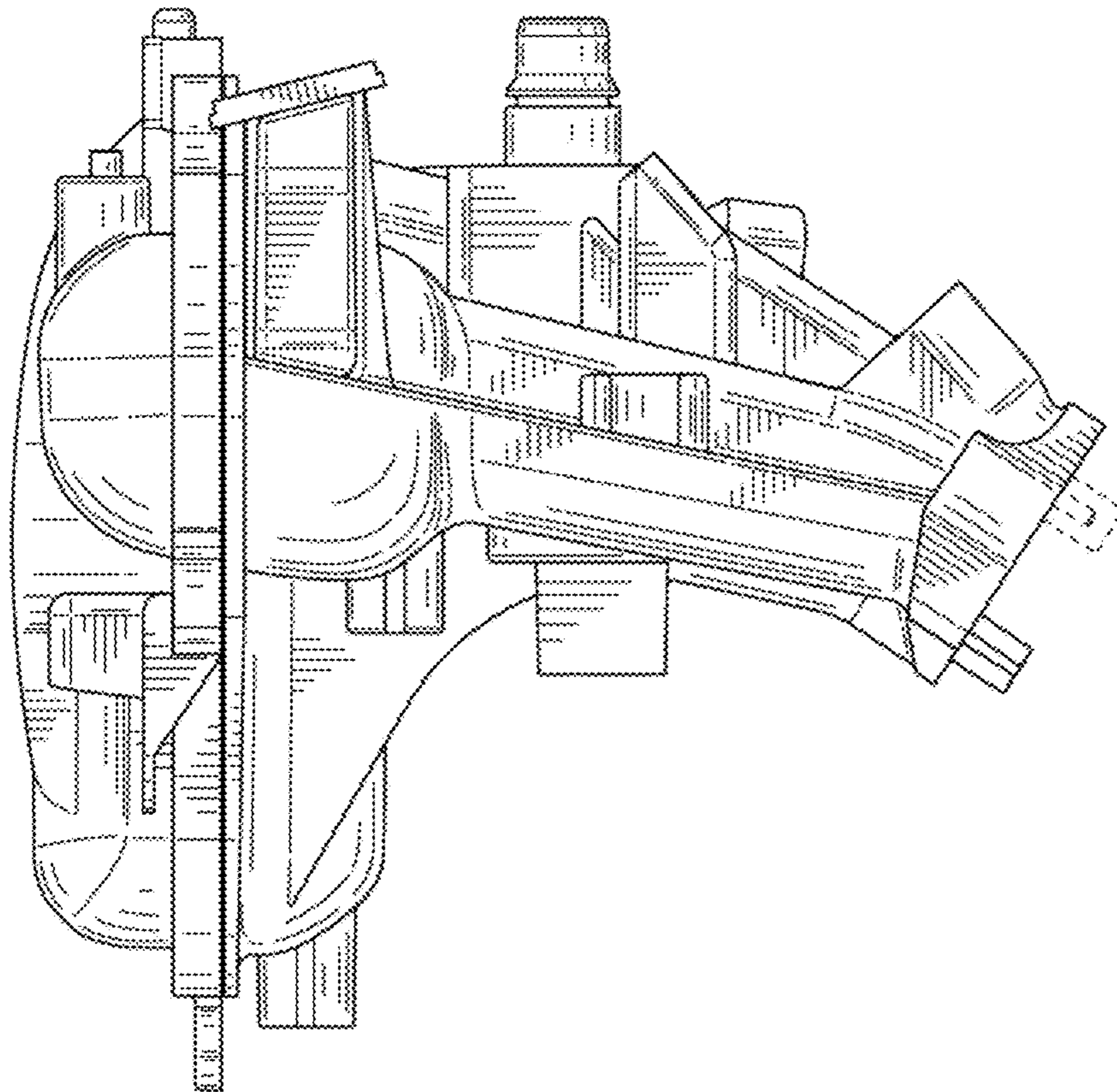


FIG. 6

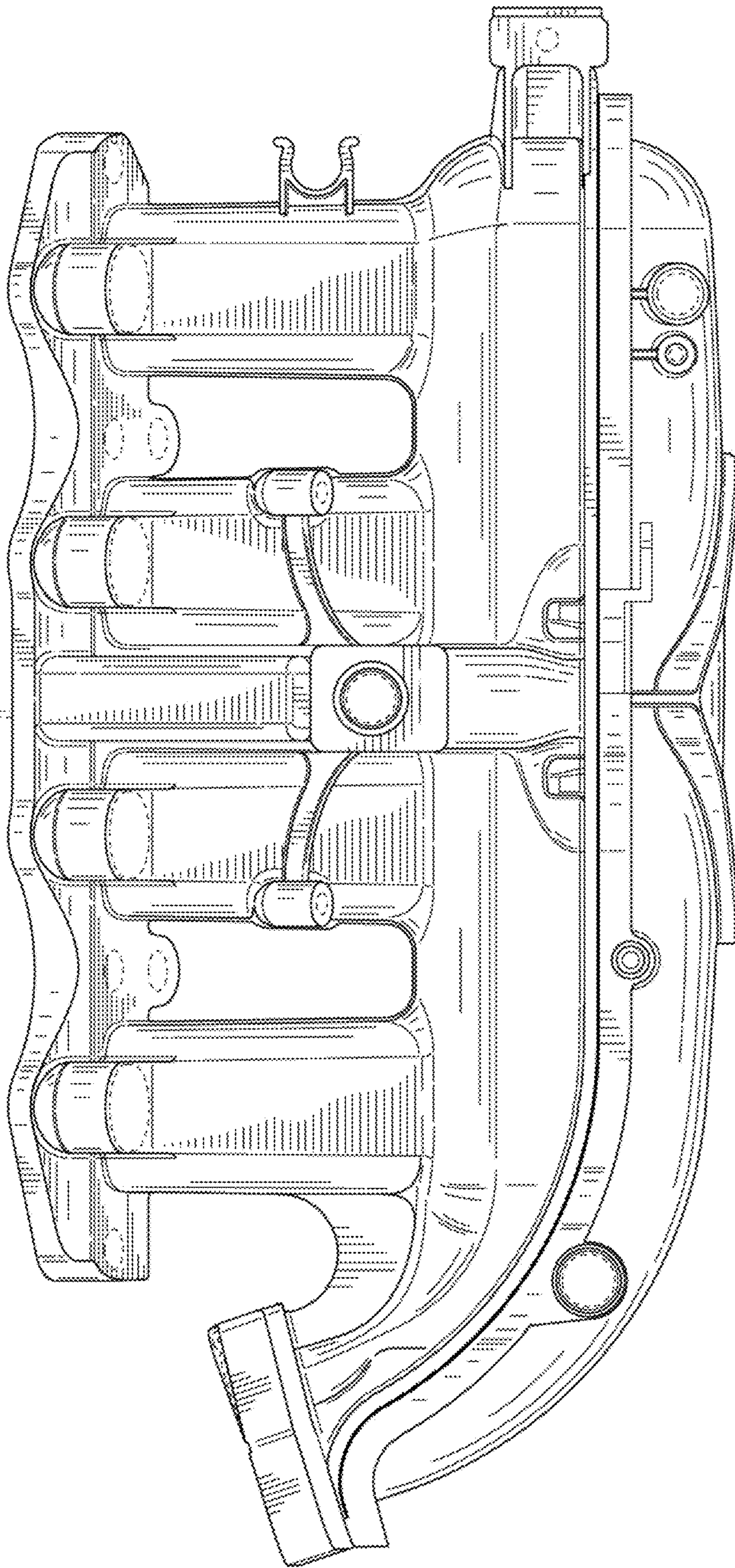


FIG. 7

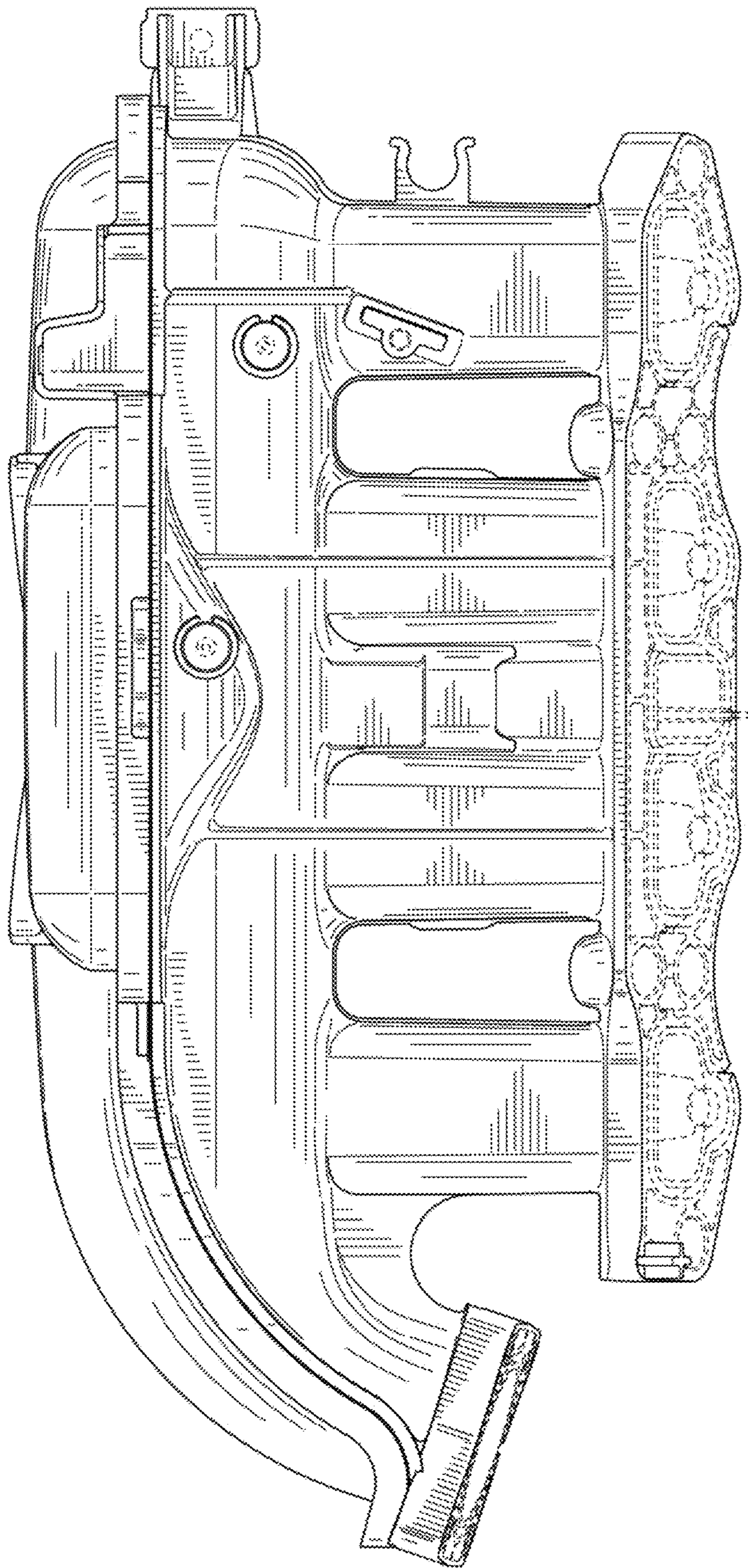


FIG. 8

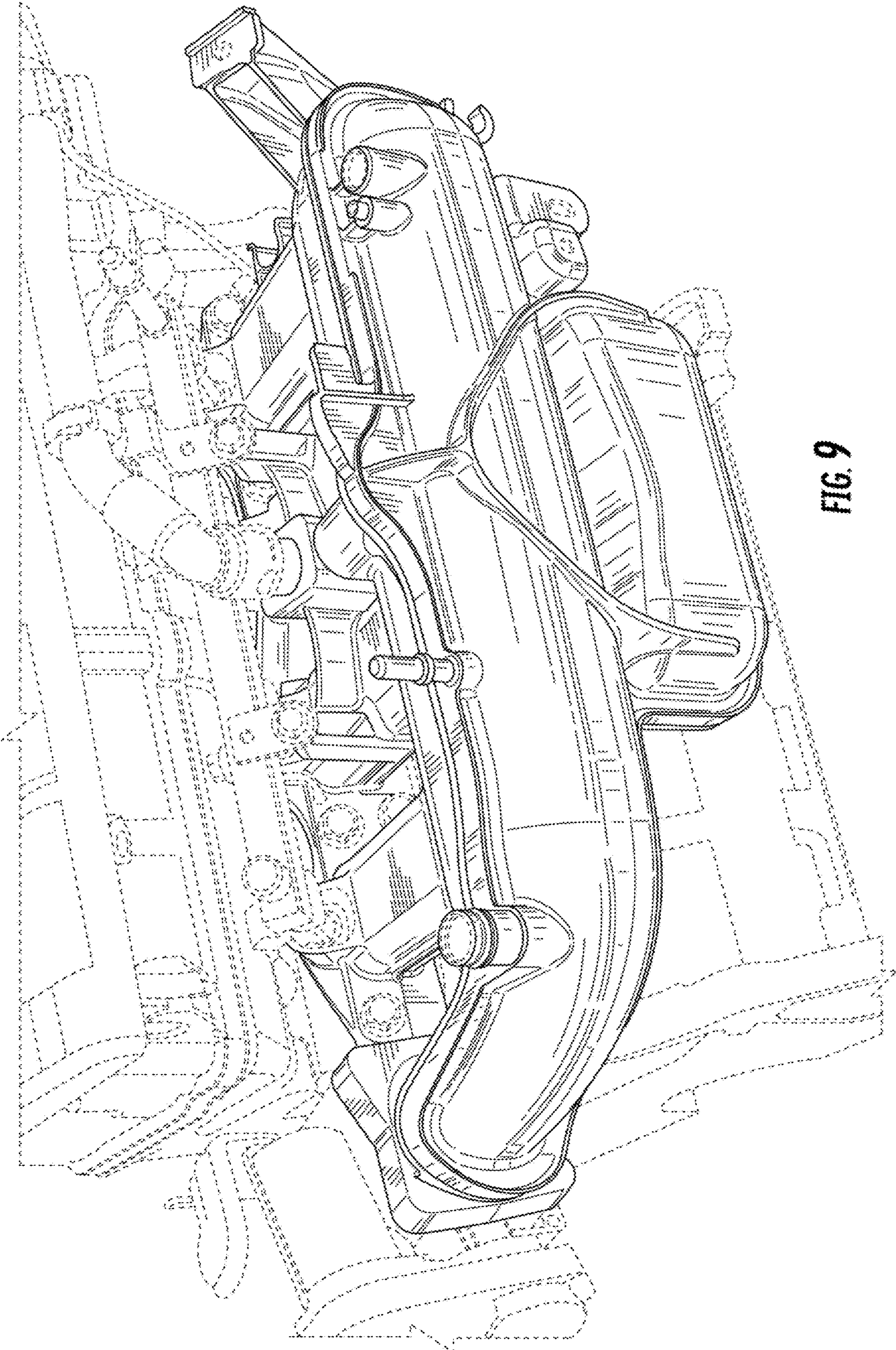


FIG. 9