



US00D901539S

(12) **United States Design Patent** (10) **Patent No.:** **US D901,539 S**  
**Hudnall et al.** (45) **Date of Patent:** **\*\* Nov. 10, 2020**

(54) **COOLING MANIFOLD**

FOREIGN PATENT DOCUMENTS

(71) Applicant: **Holley Performance Products, Inc.**,  
Bowling Green, KY (US)

AU 201811295 5/2018  
AU 201812792 6/2018

(Continued)

(72) Inventors: **Coy Hudnall**, Bowling Green, KY  
(US); **Kevin Tracy**, Port Charlotte, FL  
(US); **Thomas W. Tomlinson**, Bowling  
Green, KY (US)

OTHER PUBLICATIONS

IP Australia; Formalities notice No. 1 for Application No. 201910225  
dated Feb. 25, 2019, 3 pages.

(Continued)

(73) Assignee: **Holley Performance Products, Inc.**,  
Bowling Green, KY (US)

*Primary Examiner* — Ania Aman

(\*\*) Term: **15 Years**

(74) *Attorney, Agent, or Firm* — Middleton Reutlinger

(21) Appl. No.: **29/658,716**

(57)

**CLAIM**

The ornamental design for a cooling manifold, as shown and  
described.

(22) Filed: **Aug. 2, 2018**

**DESCRIPTION**

(51) **LOC (12) Cl.** ..... **15-01**

(52) **U.S. Cl.**  
USPC ..... **D15/5**

(58) **Field of Classification Search**  
USPC ..... D15/1-9; D23/231, 232, 225; D12/160,  
D12/159  
CPC .... F04D 29/426; F04D 29/126; F04D 29/445;  
F04D 29/086; F04D 29/167; F04D 29/44;  
F04D 29/58; F04D 29/60; F04D 29/601;  
F04D 29/602

See application file for complete search history.

FIG. 1 is a first perspective view of a first design of a cooling manifold;  
FIG. 2 is a second perspective of the design of FIG. 1;  
FIG. 3 is a top view of the design of FIG. 1;  
FIG. 4 is a bottom view of the design of FIG. 1;  
FIG. 5 is a left side view of the design of FIG. 1;  
FIG. 6 is a right side of the design of FIG. 1;  
FIG. 7 is a front view of the design of FIG. 1;  
FIG. 8 is a rear view of the design of FIG. 1;  
FIG. 9 is a first perspective view of a second design of a cooling manifold;  
FIG. 10 is a second perspective of the design of FIG. 9;  
FIG. 11 is a top view of the design of FIG. 9;  
FIG. 12 is a bottom view of the design of FIG. 9;  
FIG. 13 is a left side view of the design of FIG. 9;  
FIG. 14 is a right side of the design of FIG. 9;  
FIG. 15 is a front view of the design of FIG. 9; and,  
FIG. 16 is a rear view of the design of FIG. 9.  
In the drawings, the broken lines depict unclaimed subject matter only and form no part of the claimed design.

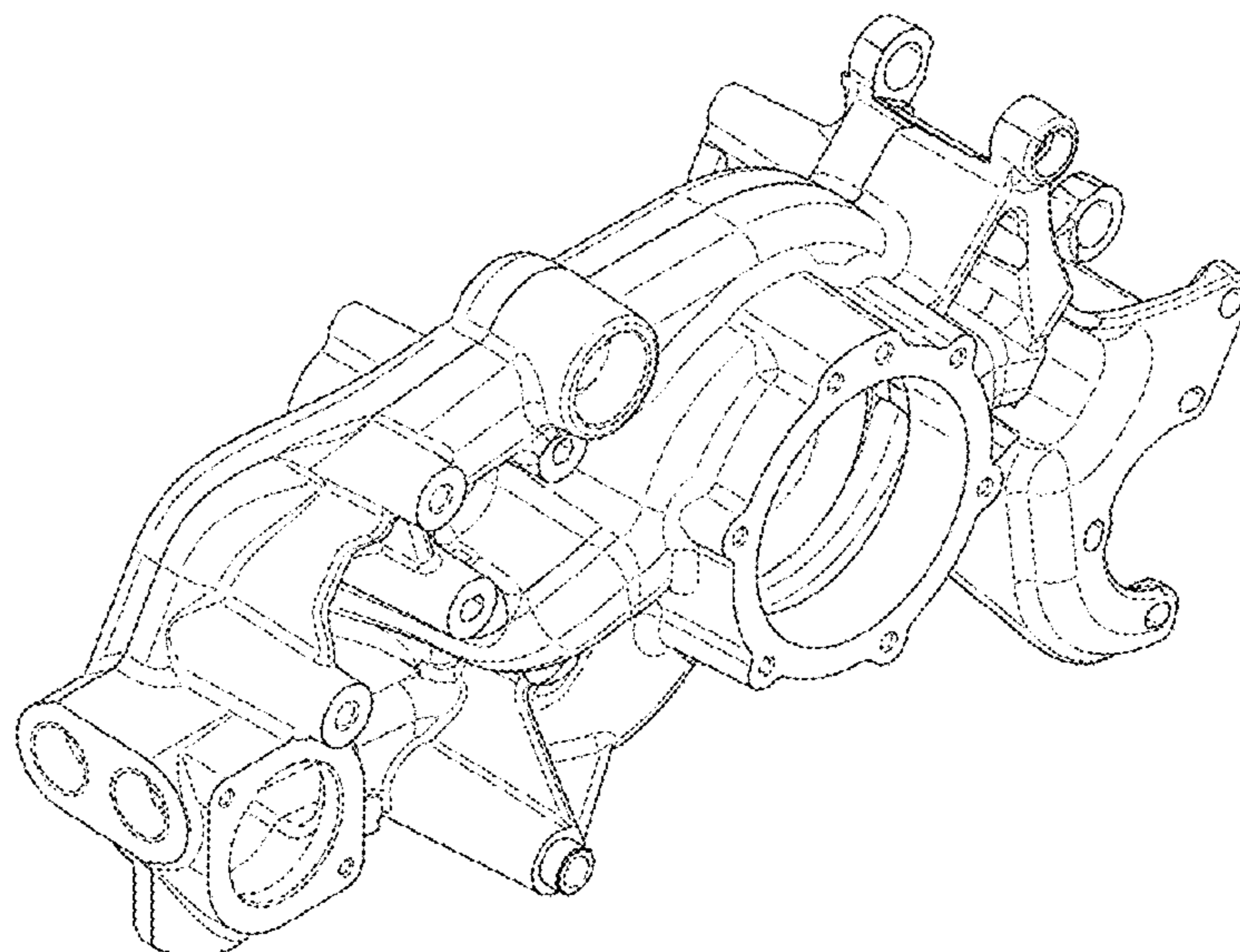
(56) **References Cited**

U.S. PATENT DOCUMENTS

D268,585 S \* 4/1983 Drakulic ..... D15/5  
5,148,863 A 9/1992 Fouts et al.  
5,325,915 A 7/1994 Fouts et al.  
6,244,239 B1 \* 6/2001 Sisco ..... F02B 67/06  
123/192.1  
6,270,314 B1 \* 8/2001 Nomoto ..... F04D 29/086  
415/172.1

(Continued)

**1 Claim, 16 Drawing Sheets**



(56)

**References Cited**

U.S. PATENT DOCUMENTS

6,446,699	B1 *	9/2002	Schober .....	F04D 29/426 164/113
7,578,277	B2 *	8/2009	Inui .....	F01M 1/02 123/192.2
D779,560	S *	2/2017	Fox .....	D15/5
D779,561	S *	2/2017	Fox .....	D15/5
D808,439	S	1/2018	Hudnall et al.	
D819,083	S *	5/2018	Fisher .....	D15/5
2008/0173274	A1 *	7/2008	Inui .....	F01M 1/02 123/196 R
2015/0345366	A1 *	12/2015	Gacka .....	F01P 5/12 123/41.47
2017/0082011	A1 *	3/2017	Huckey .....	F01P 5/12

FOREIGN PATENT DOCUMENTS

AU	201910218	3/2019
AU	201910224	3/2019
AU	201910225	3/2019

AU	201911575	4/2019
AU	201911576	4/2019
AU	201911578	4/2019

OTHER PUBLICATIONS

Design U.S. Appl. No. 29/616,435 entitled "Cooling Manifold" filed Sep. 6, 2017.

Design U.S. Appl. No. 29/658,718 entitled "Cooling Manifold" filed Aug. 2, 2018.

Design U.S. Appl. No. 29/658,719 entitled "Cooling Manifold" filed Aug. 2, 2018.

Design U.S. Appl. No. 29/707,393 entitled "Cooling Manifold" filed Sep. 27, 2019.

Design U.S. Appl. No. 29/707,394 entitled "Cooling Manifold" filed Sep. 27, 2019.

Holley Performance Products, Inc., 2017 New & Hot Products, Catalogue, 3 pages, Nov. 1, 2016. [the instant application is a design that attaches to the water pump shown].

\* cited by examiner

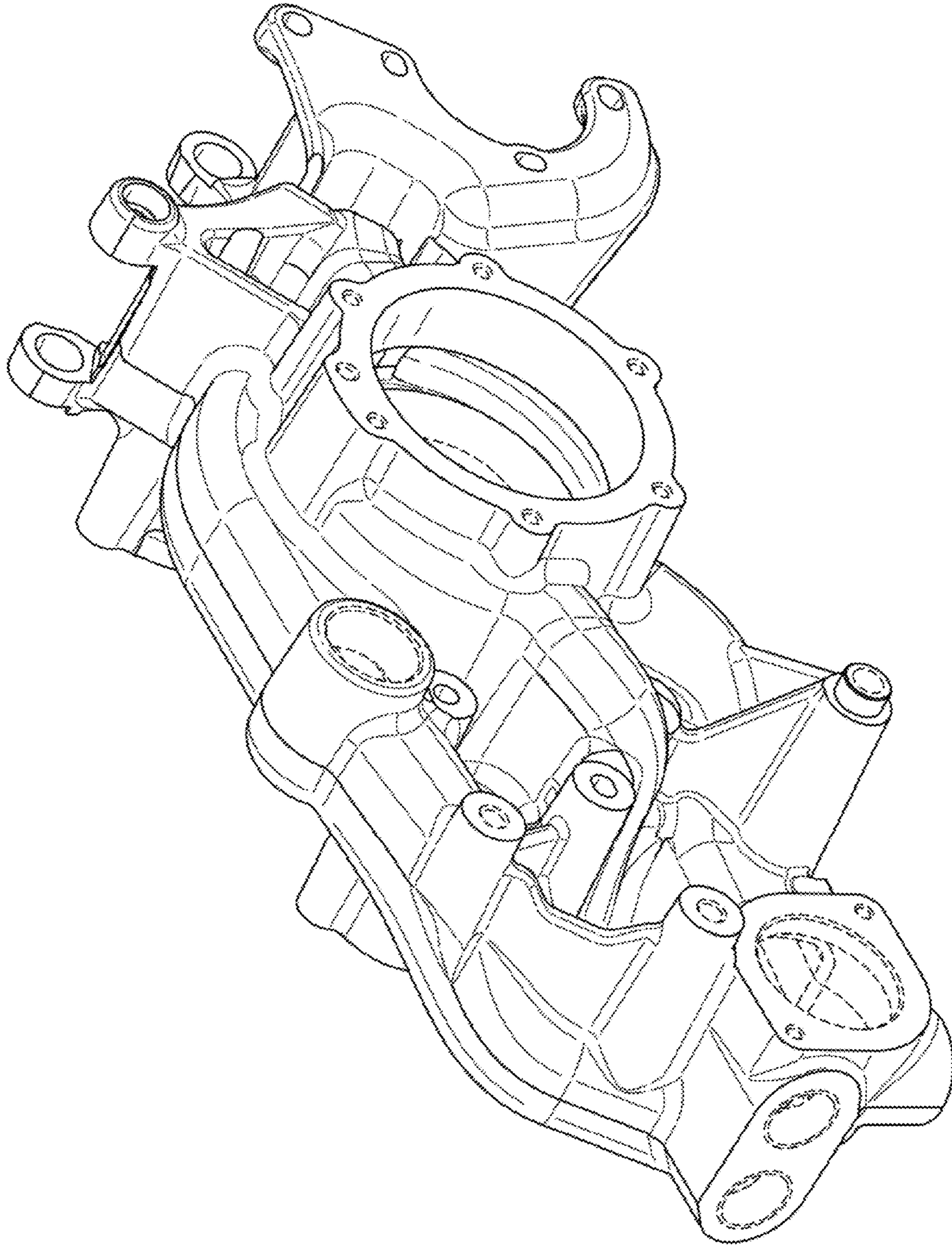


FIG. 1



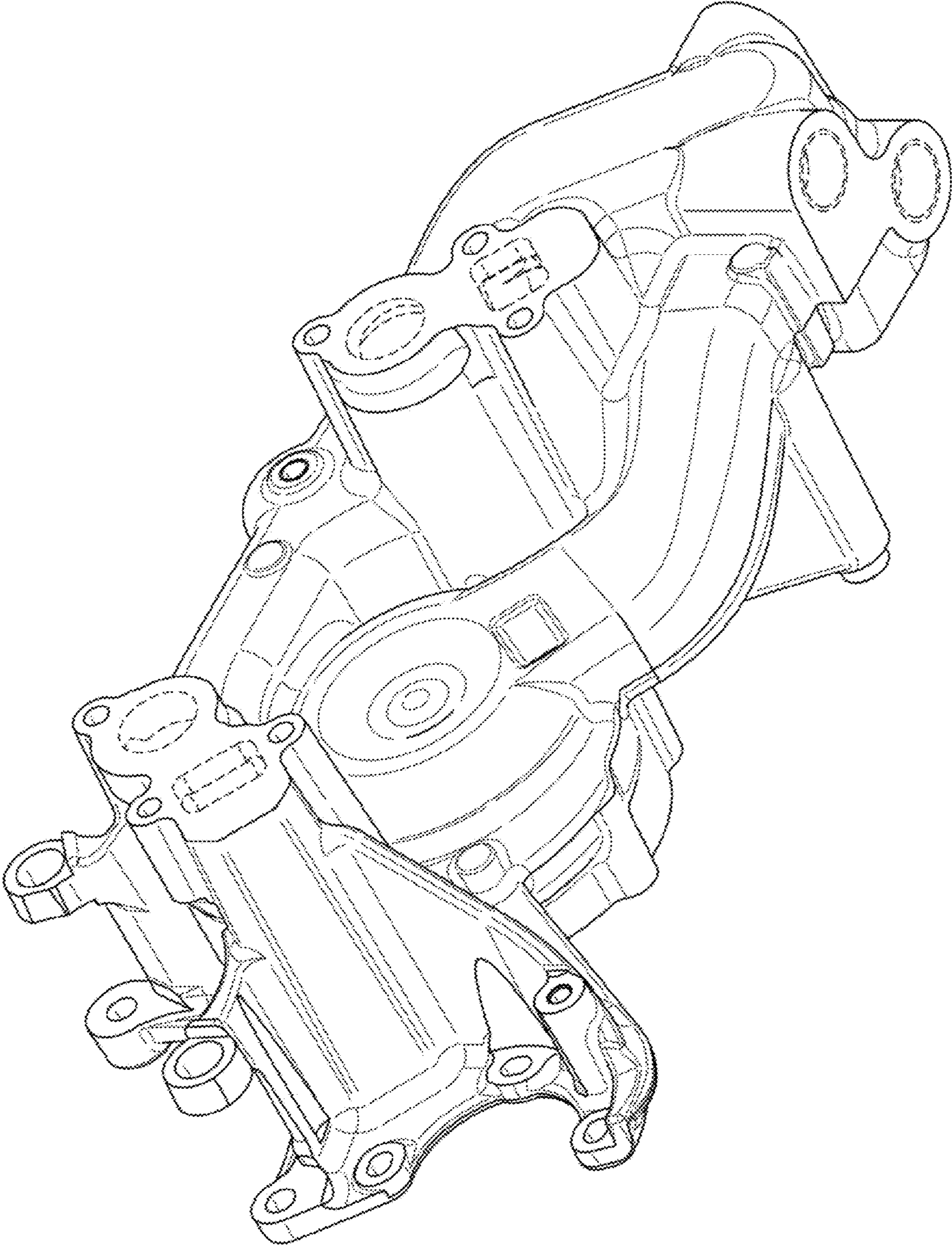


FIG. 2

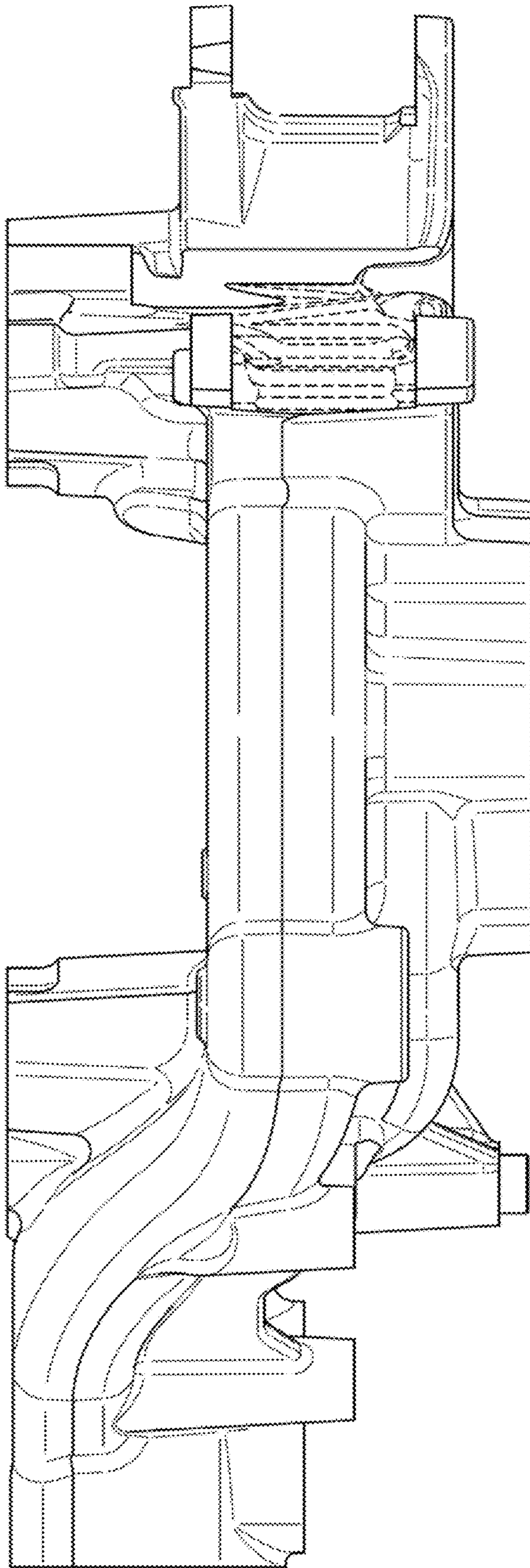


FIG. 3

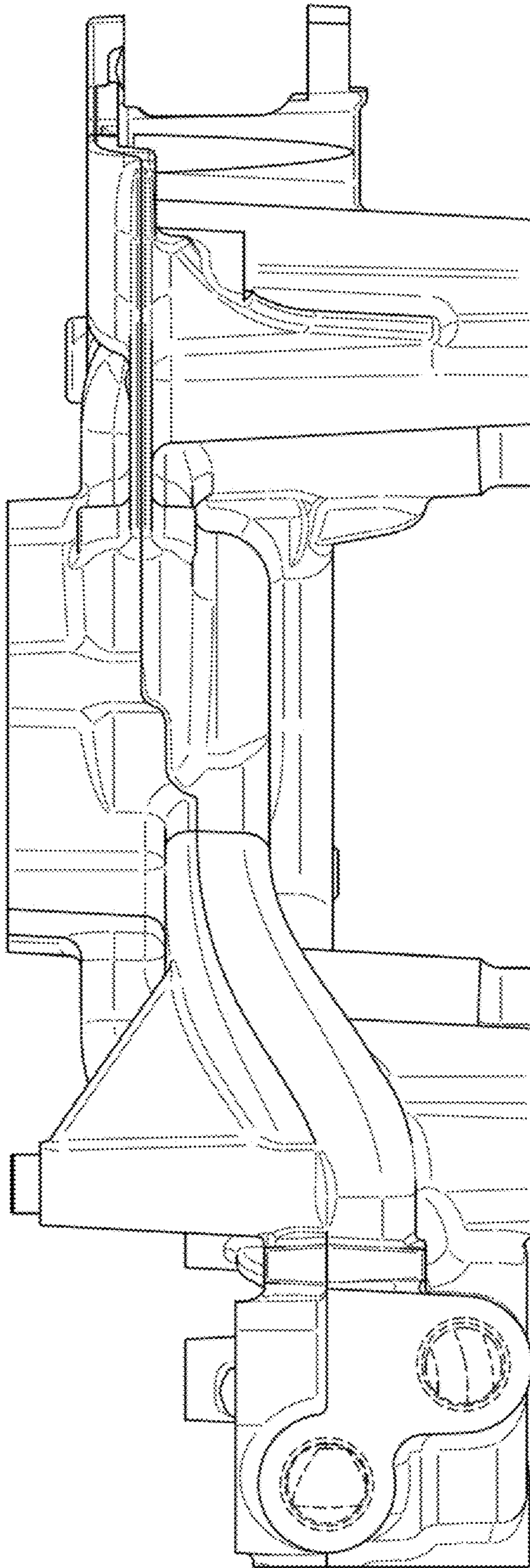


FIG. 4



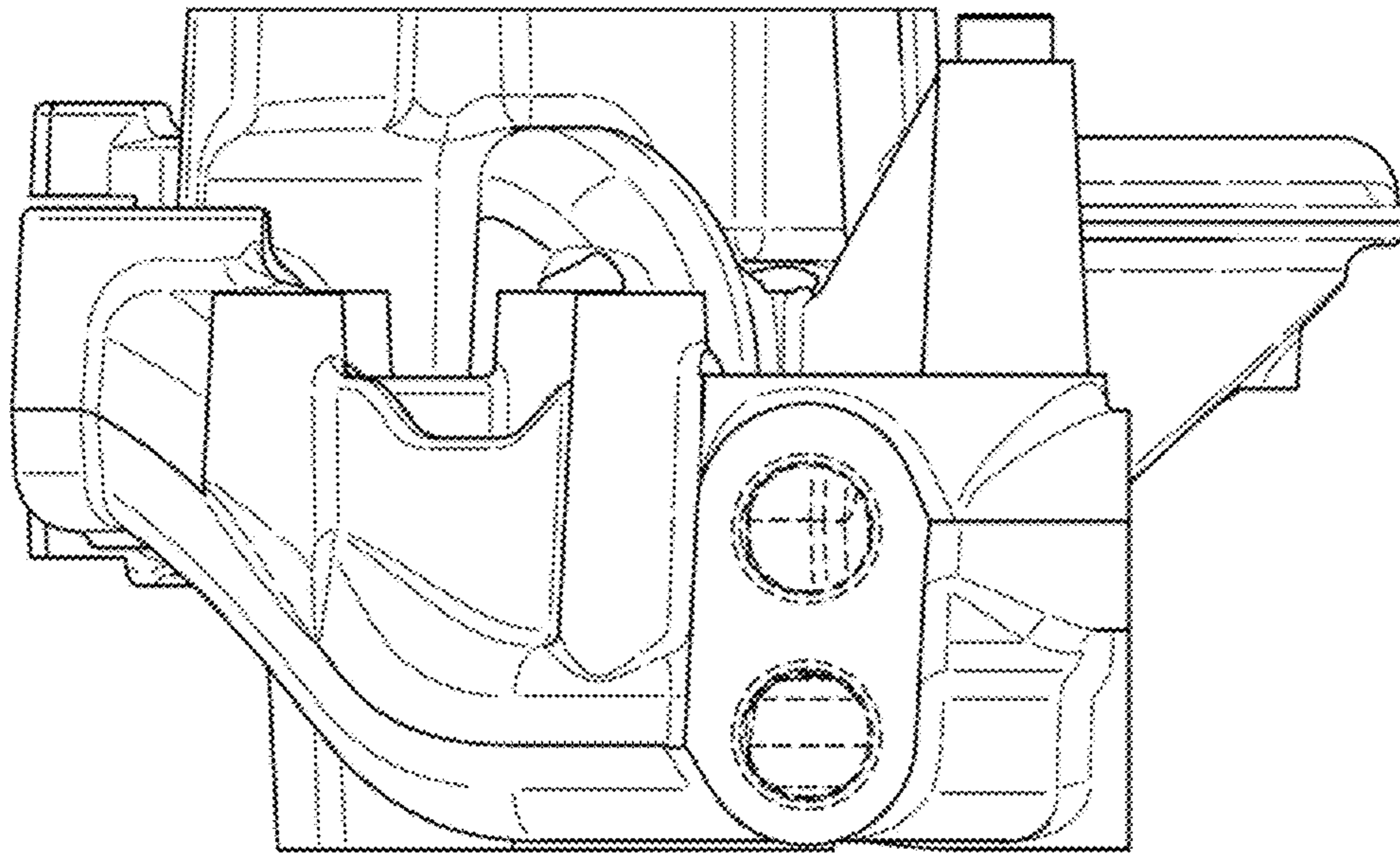


FIG. 5

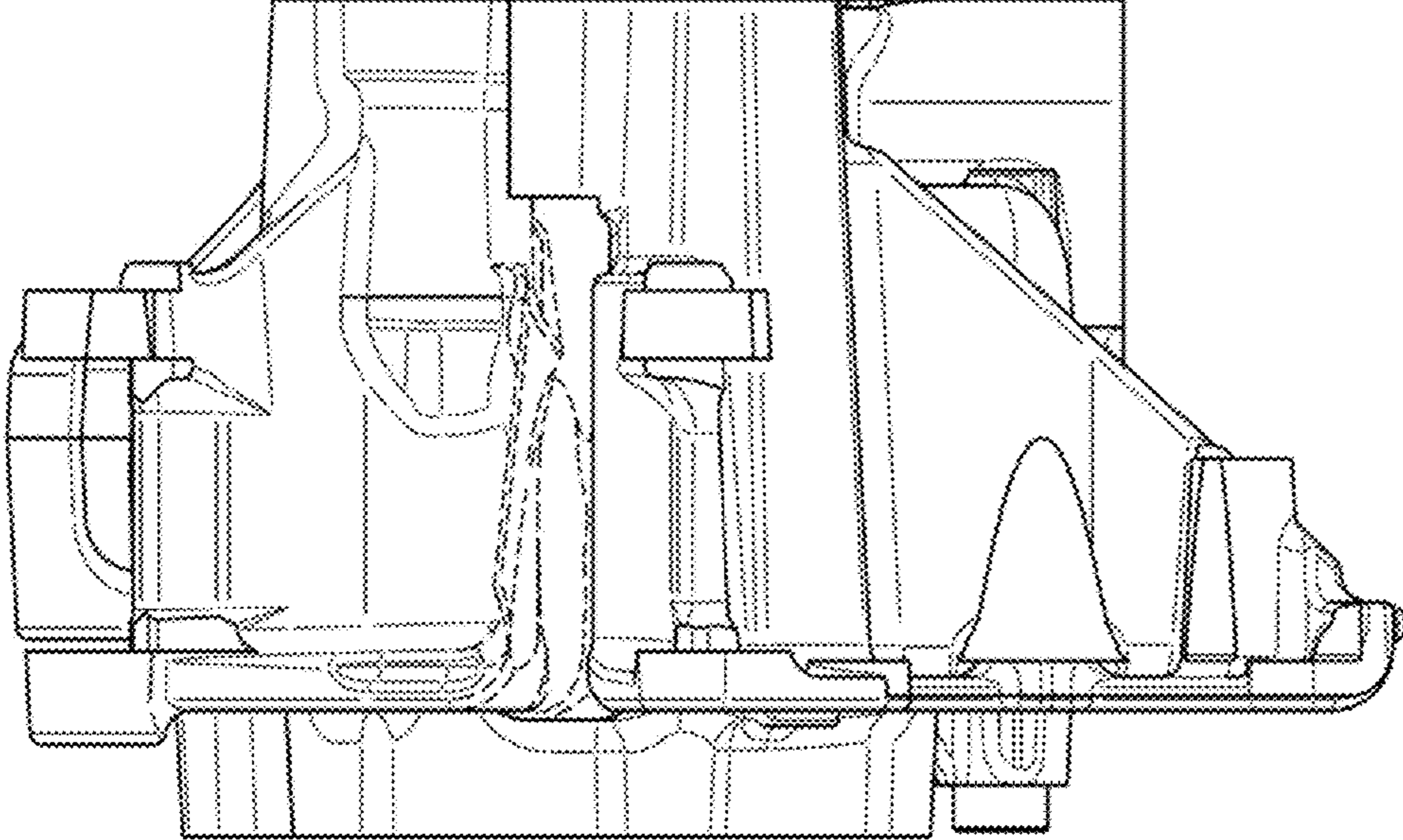


FIG. 6



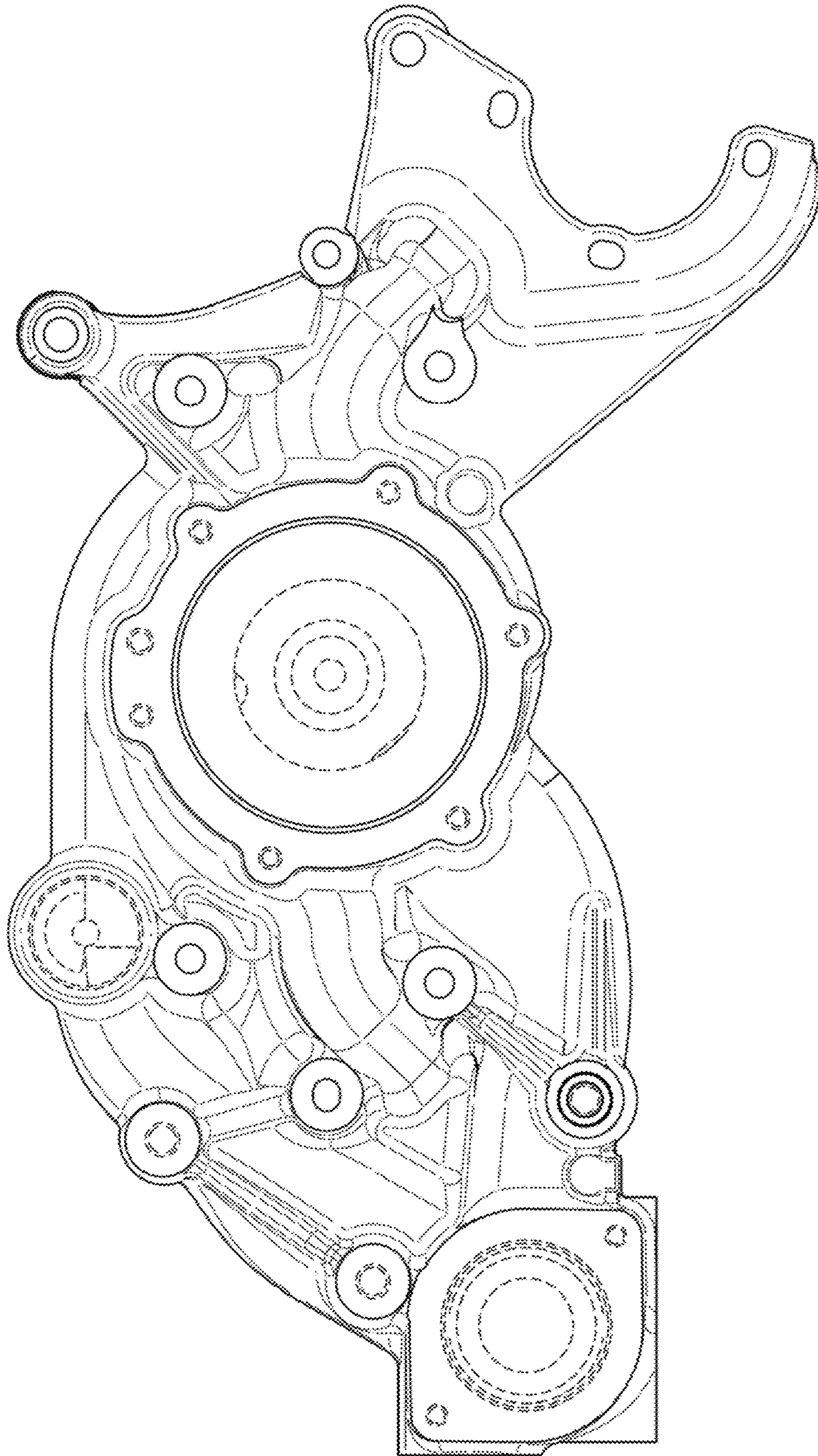


FIG. 7

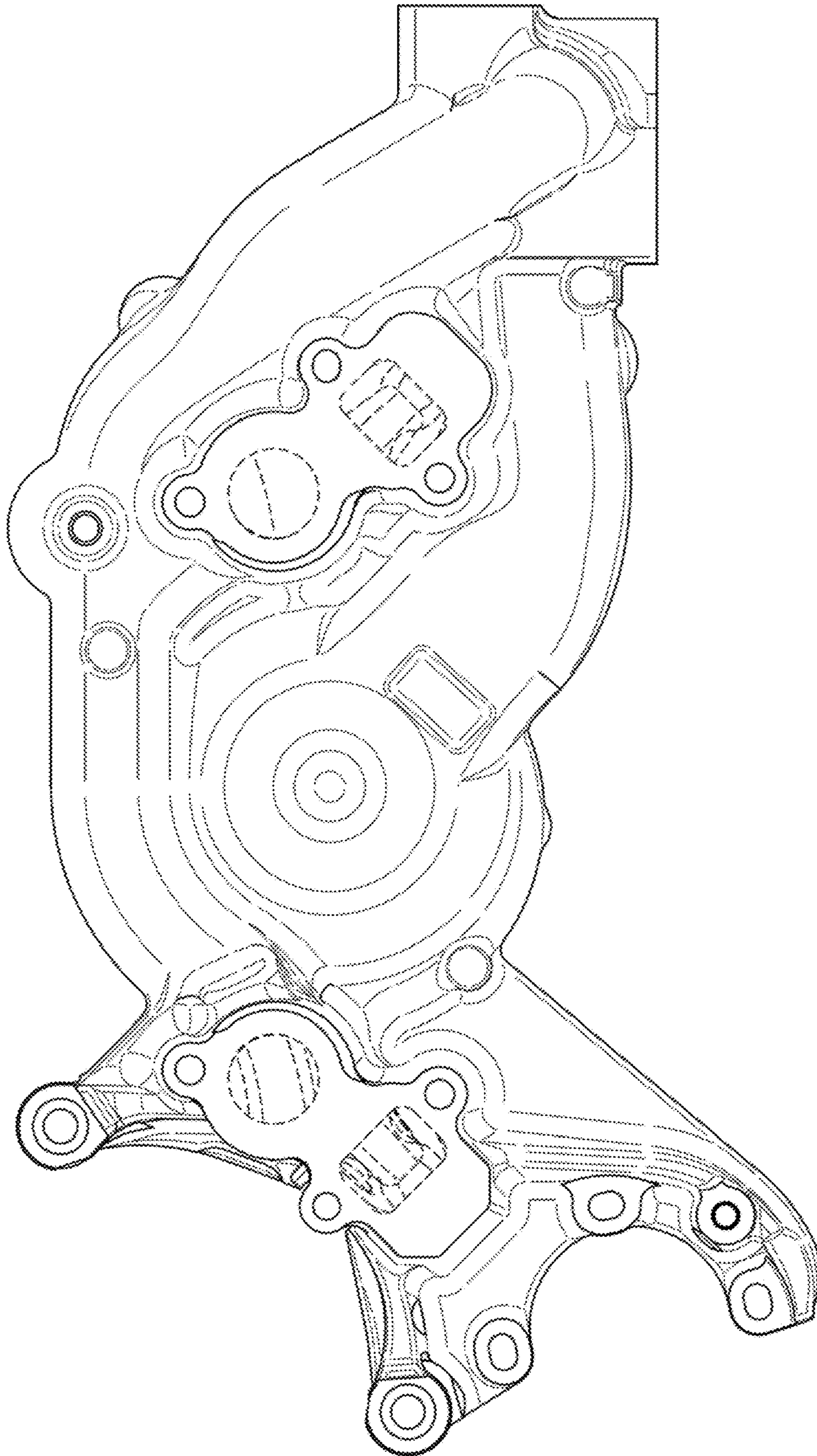


FIG. 8



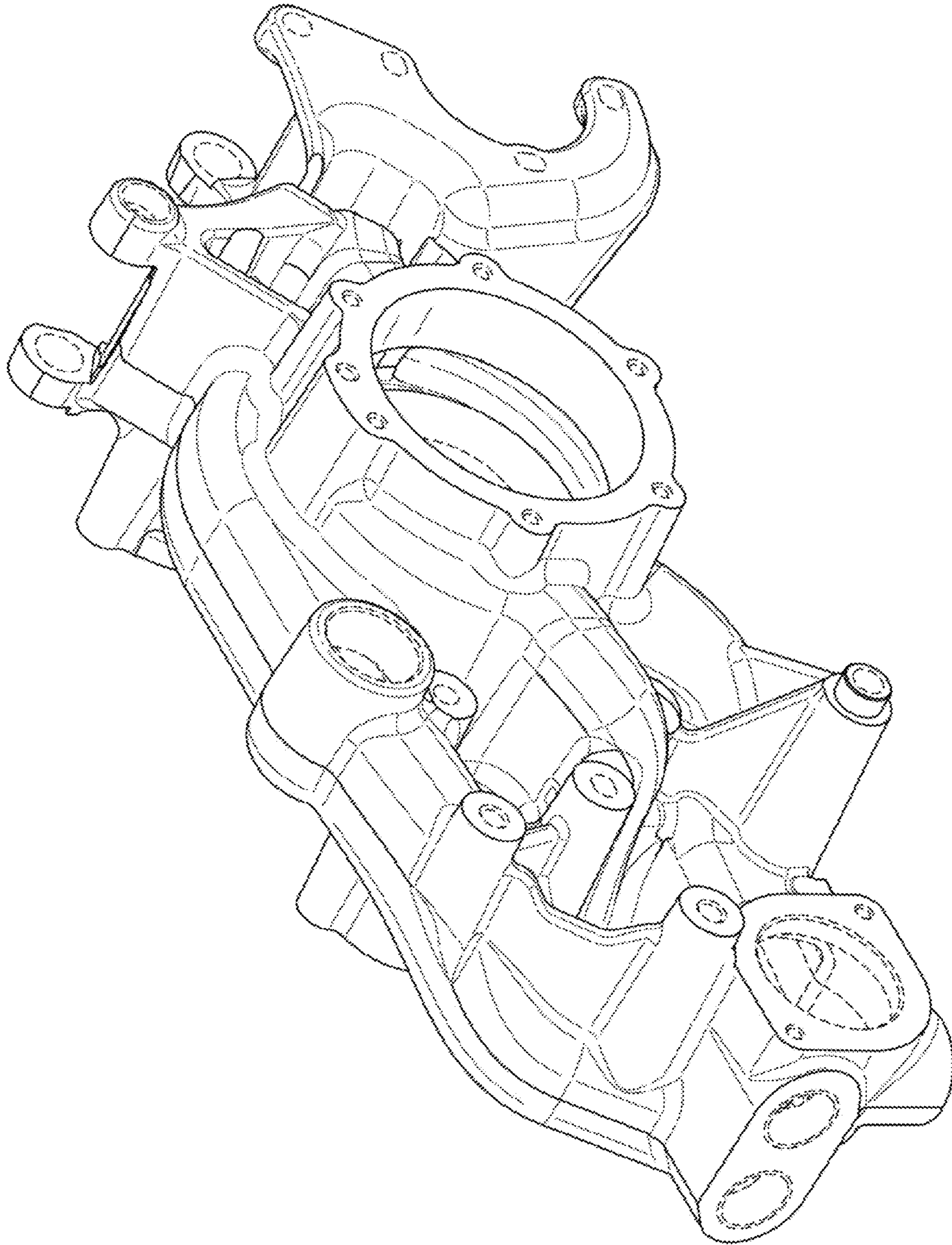


FIG. 9



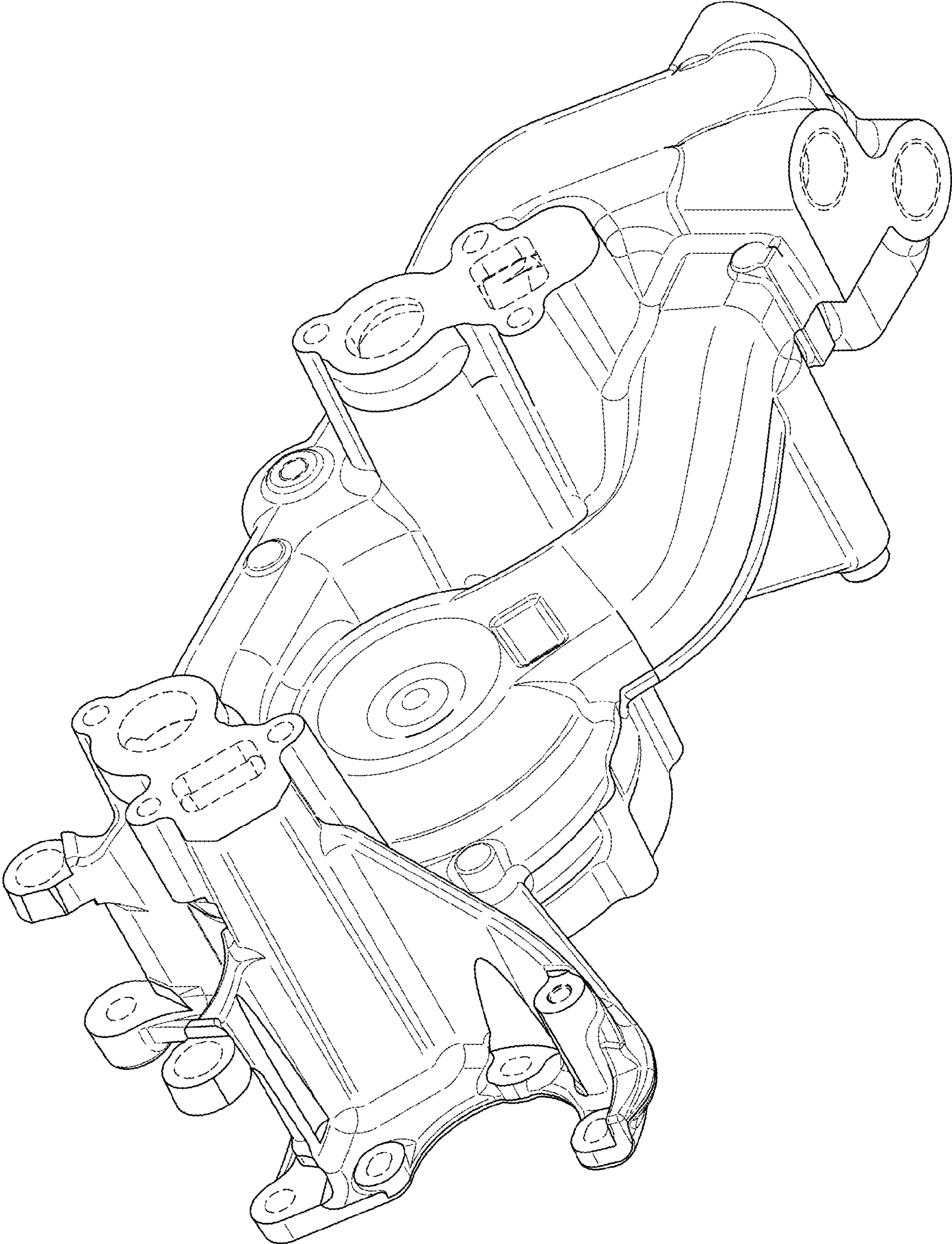


FIG. 10

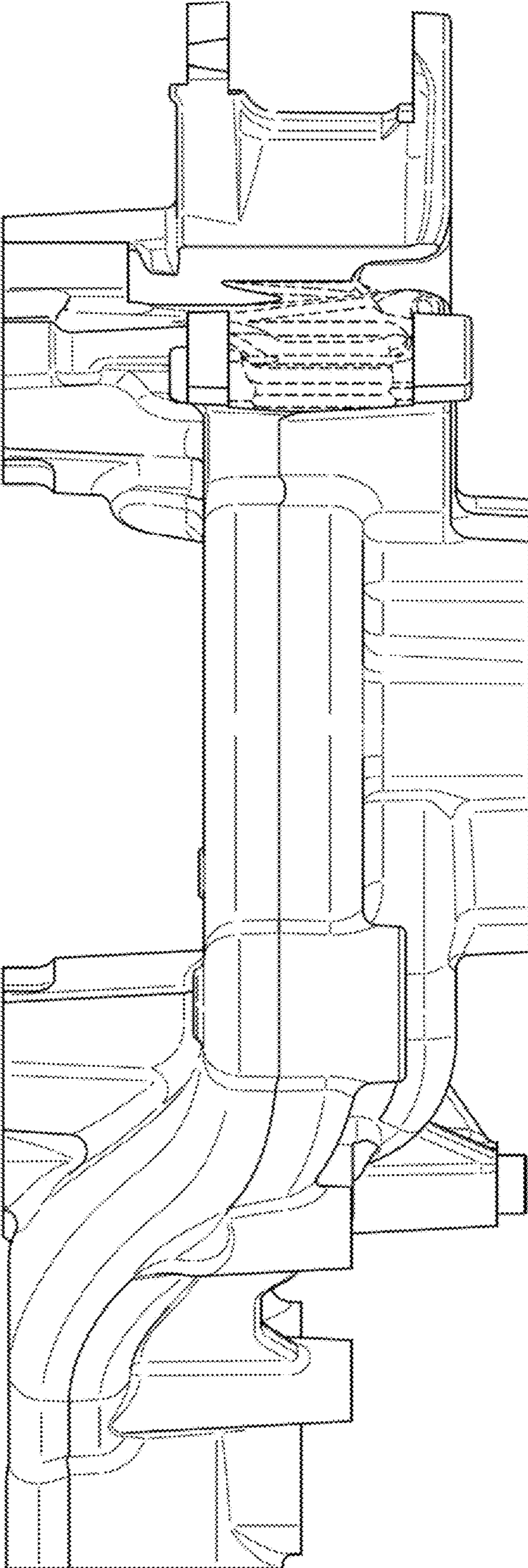


FIG. 11

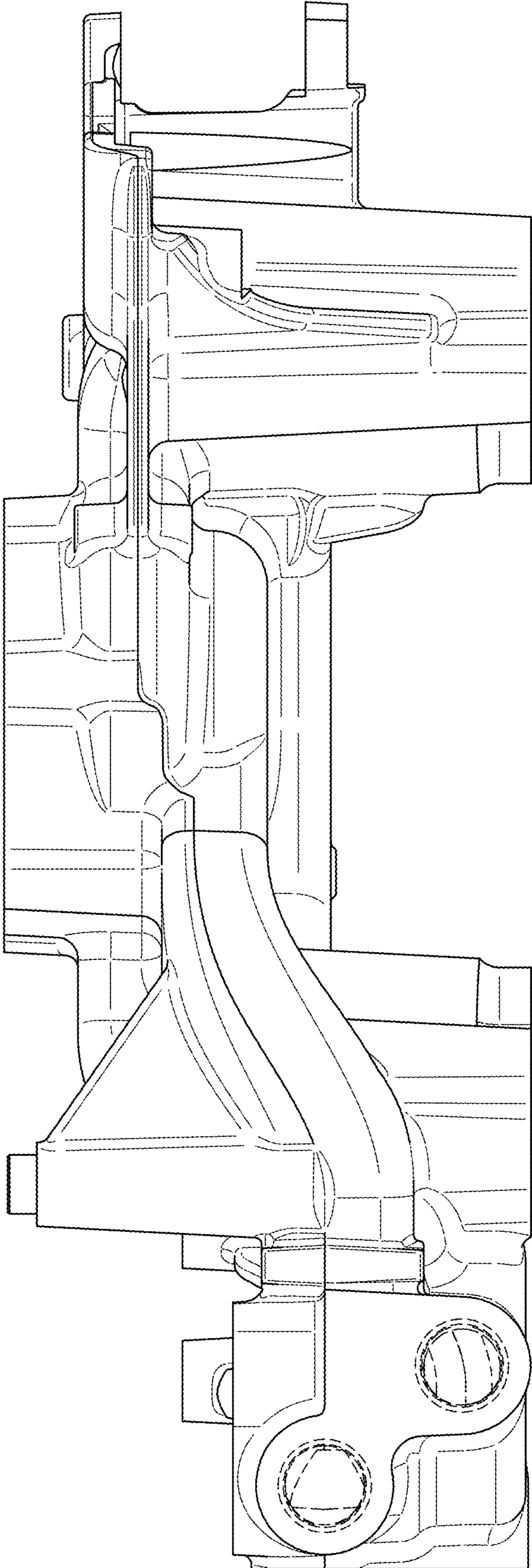


FIG. 12



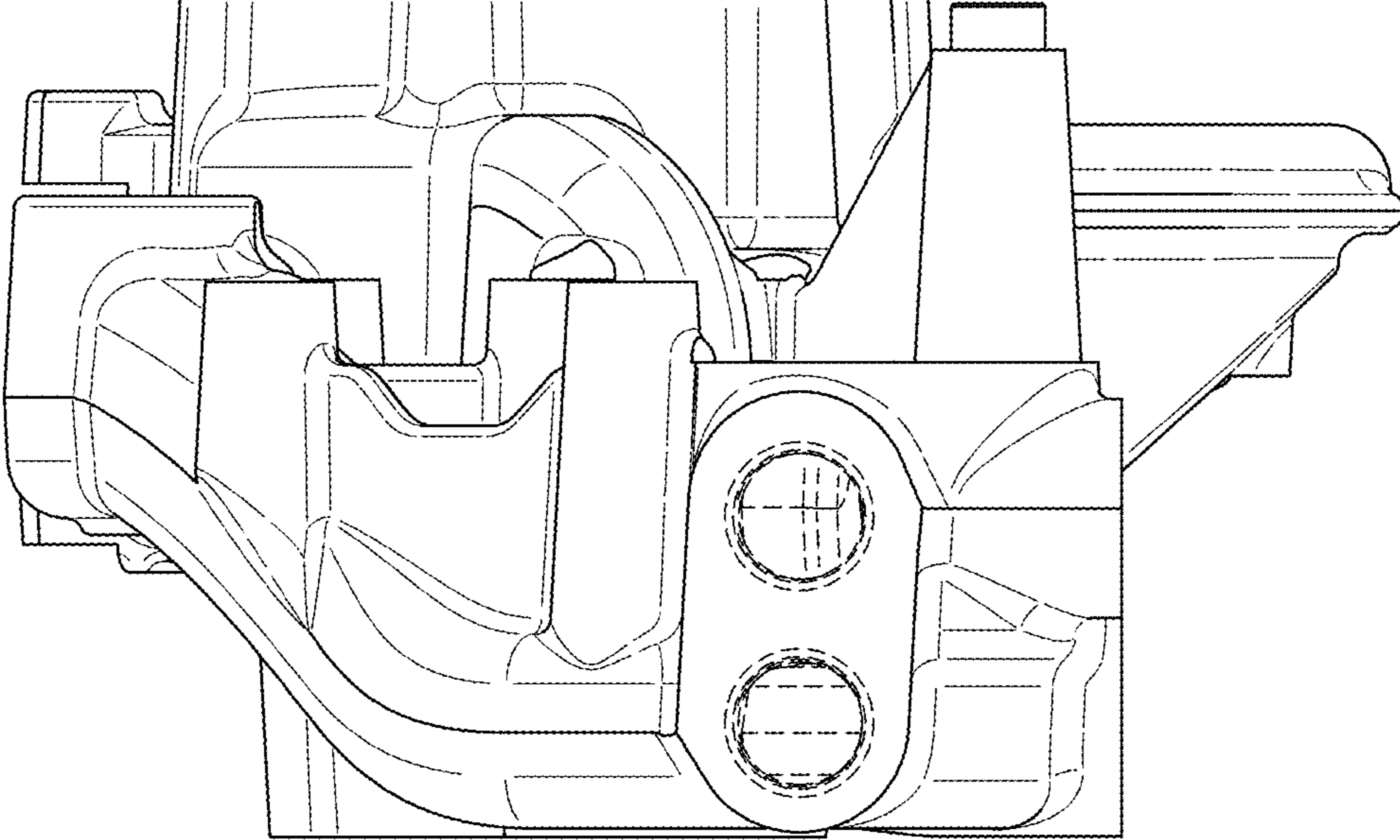


FIG. 13

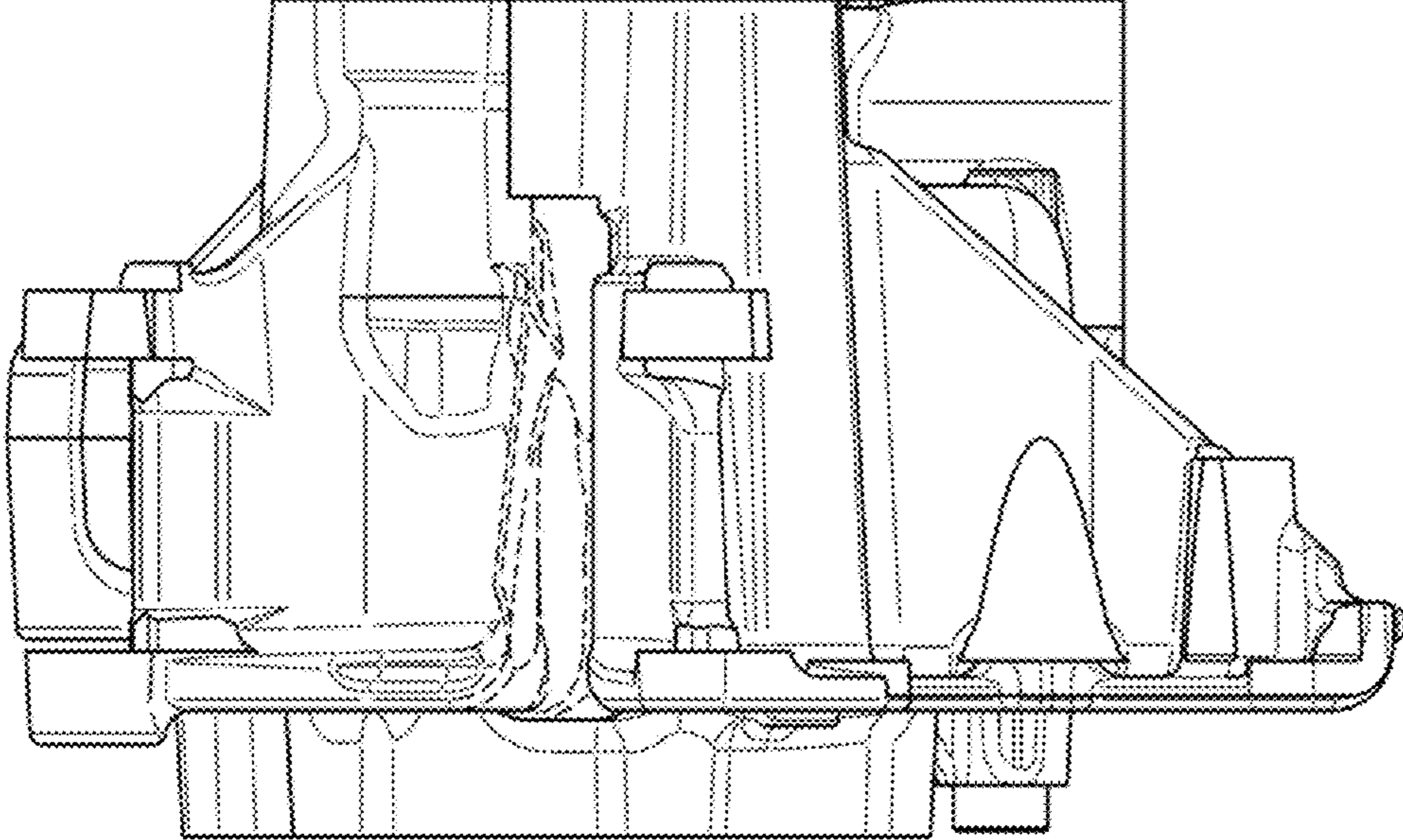


FIG. 14

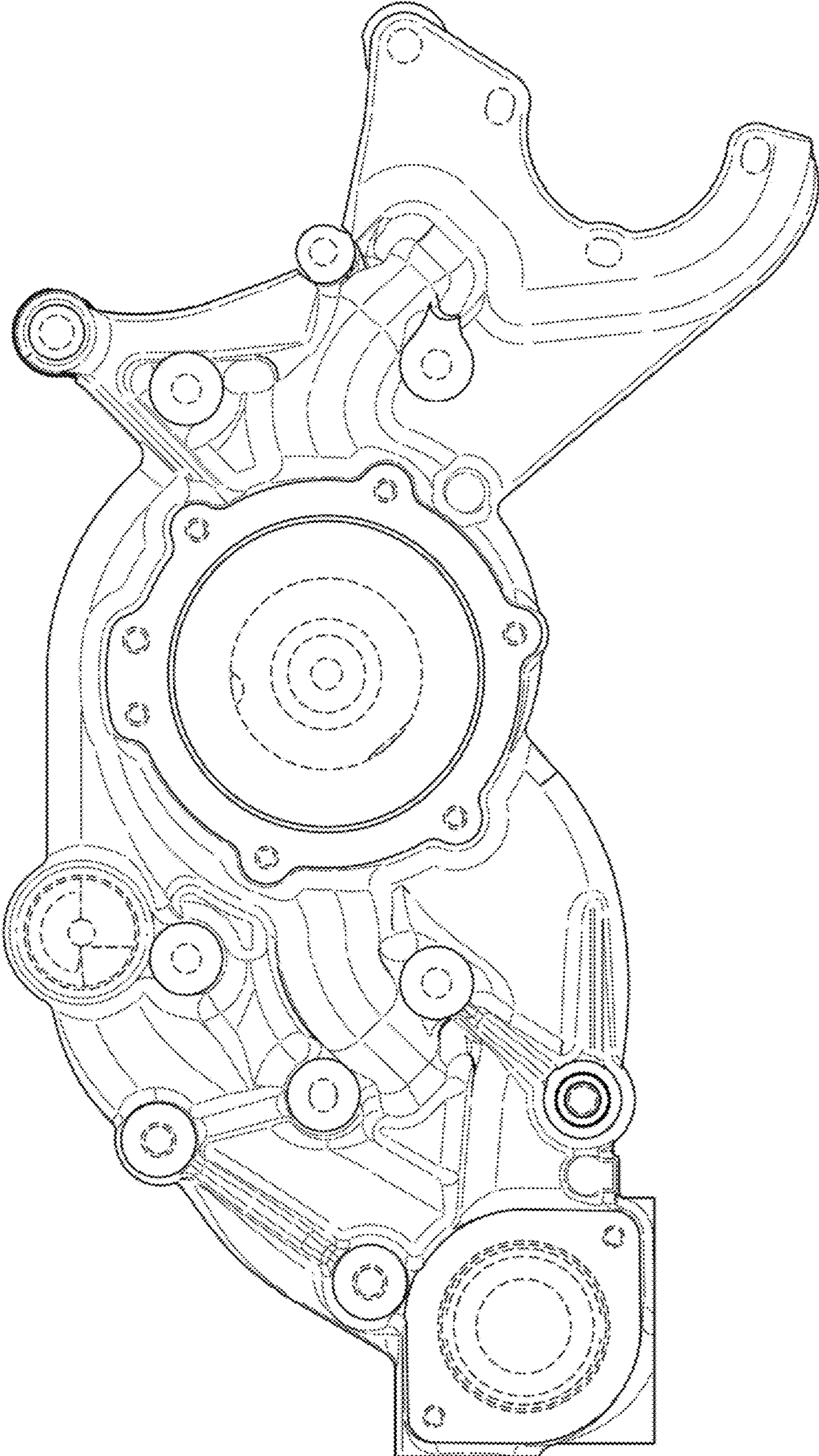


FIG. 15



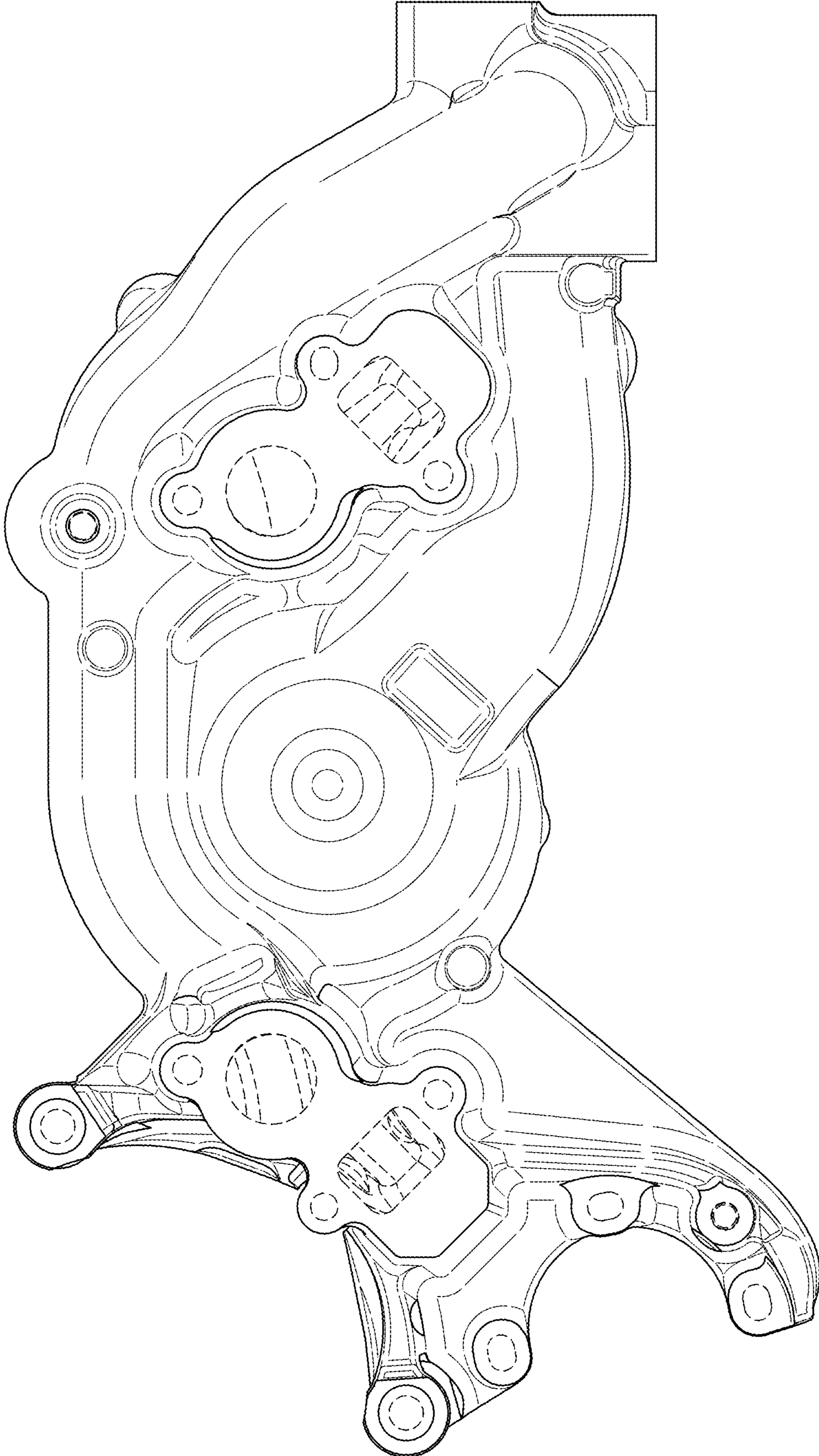


FIG. 16