



US00D901522S

(12) **United States Design Patent** (10) **Patent No.:** **US D901,522 S**  
**Lewis et al.** (45) **Date of Patent:** **\*\* Nov. 10, 2020**

(54) **VEHICLE HEADS-UP DISPLAY SCREEN OR PORTION THEREOF WITH A GRAPHICAL USER INTERFACE**

(71) Applicant: **Toyota Research Institute, Inc.**, Los Altos, CA (US)

(72) Inventors: **Thor Lewis**, Sunnyvale, CA (US); **Ashlimarie Dong**, San Francisco, CA (US); **James Cazzoli**, Mahopac, NY (US); **Stephanie Paepcke**, Mountain View, CA (US); **Christoffer Rodemeyer**, New York, NY (US); **Jemma Robinson**, Brooklyn, NY (US); **Carlo Vega**, Brooklyn, NY (US); **David Landa**, Brooklyn, NY (US); **James Veluya**, Jersey City, NJ (US); **Helena Zhang**, Brooklyn, NY (US)

(73) Assignee: **Toyota Research Institute, Inc.**, Los Altos, CA (US)

(\*\*) Term: **15 Years**

(21) Appl. No.: **29/619,203**

(22) Filed: **Sep. 27, 2017**

(51) **LOC (12) Cl.** ..... **14-04**

(52) **U.S. Cl.**  
USPC ..... **D14/486**; D14/487

(58) **Field of Classification Search**  
USPC ..... D14/485–495  
CPC ..... G01C 21/36; G08G 1/0962; G08F 1/123;  
B60K 37/00; G06F 17/5095; G06F 3/04815; G06F 3/0481; G06F 3/04817;  
G06F 2203/049802; G06L 9/00671  
See application file for complete search history.

(56) **References Cited**

U.S. PATENT DOCUMENTS

D384,341 S \* 9/1997 Hoffman ..... D10/102  
D473,151 S \* 4/2003 Sedlak ..... D10/103

D501,210 S \* 1/2005 Cook ..... D14/486  
7,119,764 B2 10/2006 Tanaka et al.  
D594,468 S 6/2009 Bamford et al.  
D624,930 S 10/2010 Agnetta et al.  
D673,972 S 1/2013 Woo  
D674,813 S 1/2013 Woo  
D675,222 S 1/2013 Woo et al.  
D675,638 S 2/2013 Woo et al.  
D679,730 S 4/2013 Tyler et al.  
D681,670 S 5/2013 Fletcher et al.  
D682,865 S 5/2013 Frijlink

(Continued)

OTHER PUBLICATIONS

Aminjanov et al., Research and Production Association, RU Design Registration No. 0086991, published at Orbit, publication date Nov. 16, 2013. Site visited Mar. 11, 2020. Available from Internet. (Year: 2013).\*

(Continued)

*Primary Examiner* — Kevin K Rudzinski

*Assistant Examiner* — Kathleen L Jones

(74) *Attorney, Agent, or Firm* — Christopher G. Darrow; Darrow Mustafa PC

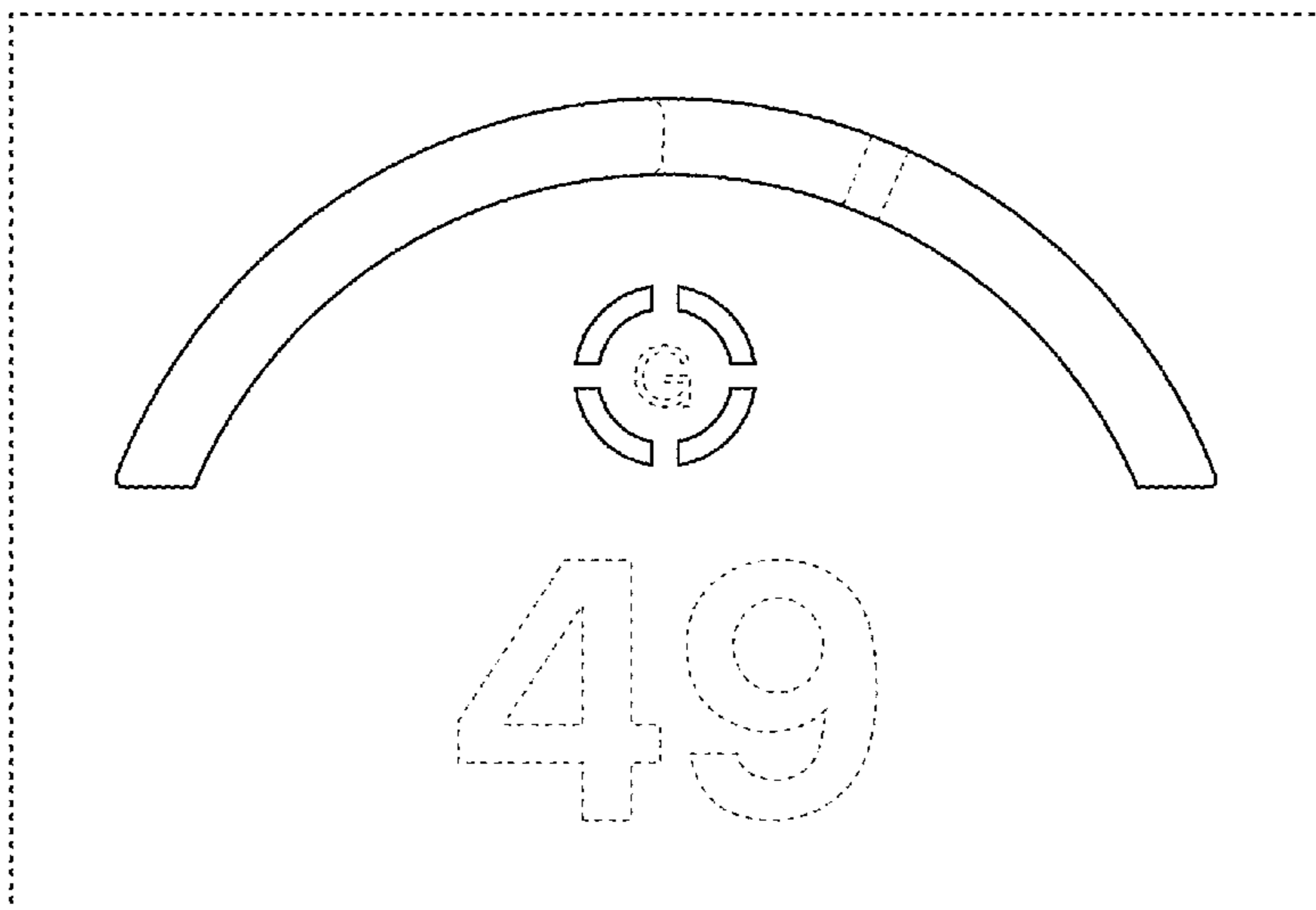
(57) **CLAIM**

The ornamental design for a vehicle heads-up display screen or portion thereof with a graphical user interface, as shown and described.

**DESCRIPTION**

The sole FIGURE is a front view of a vehicle heads-up display screen or portion thereof with a graphical user interface showing our new design. It should be understood that the broken lines in the FIGURE showing a display screen, text, and portions of the graphical user interface, are used to illustrate portions of the article; all broken lines form no part of the claimed design.

**1 Claim, 1 Drawing Sheet**



(56)

References Cited

U.S. PATENT DOCUMENTS

D686,634 S 7/2013 Malasani et al.  
 D687,047 S 7/2013 Hales, IV et al.  
 D687,059 S 7/2013 Bruck et al.  
 8,479,120 B2 7/2013 Nezu  
 D701,226 S \* 3/2014 Jung ..... D14/486  
 D701,232 S 3/2014 Na et al.  
 D701,521 S 3/2014 Kim et al.  
 D702,251 S \* 4/2014 Kotler ..... D14/487  
 D710,370 S 8/2014 Inose et al.  
 D720,764 S 1/2015 Lee  
 D721,090 S \* 1/2015 Hong ..... D14/487  
 D725,674 S 3/2015 Jung et al.  
 D736,780 S \* 8/2015 Wang ..... D14/485  
 D739,872 S 9/2015 Bang et al.  
 D751,606 S 3/2016 Yu  
 D761,297 S 7/2016 Eder  
 D762,698 S 8/2016 Na et al.  
 D762,716 S 8/2016 Yang et al.  
 D763,293 S 8/2016 Lee et al.  
 D763,308 S 8/2016 Wang et al.  
 D763,314 S 8/2016 Sergeev  
 D770,513 S 11/2016 Choi et al.  
 D771,063 S 11/2016 Yang et al.  
 D771,103 S 11/2016 Eder  
 D771,123 S 11/2016 Anzures et al.  
 D772,918 S 11/2016 van den Berg et al.  
 D775,658 S 1/2017 Luo et al.  
 D786,269 S \* 5/2017 Lin ..... D14/485  
 D788,792 S \* 6/2017 Alessandri ..... D14/485  
 D791,766 S \* 7/2017 Koehler ..... D14/346  
 D795,900 S 8/2017 Bischoff et al.  
 D795,912 S 8/2017 Hoffman  
 D795,919 S 8/2017 Bischoff et al.  
 D796,526 S 9/2017 Kim et al.  
 D797,756 S 9/2017 Meyer et al.  
 D800,737 S \* 10/2017 Wang ..... D14/485  
 D808,989 S \* 1/2018 Ayvazian ..... D14/485  
 D812,073 S \* 3/2018 Lehmann ..... D14/485  
 D834,593 S \* 11/2018 Lehmann ..... D14/485  
 D835,648 S \* 12/2018 Begin ..... D14/486  
 D839,892 S \* 2/2019 Felt ..... D14/486  
 D844,013 S \* 3/2019 Peeters ..... D14/485

D854,032 S \* 7/2019 Jones ..... D14/486  
 D857,749 S \* 8/2019 Brinker ..... D14/492  
 D858,540 S \* 9/2019 Lian ..... D14/485  
 D859,441 S \* 9/2019 Otto ..... D14/486  
 D862,498 S \* 10/2019 Bae ..... D14/485  
 D864,224 S \* 10/2019 Subrahmaniyan ..... D14/486  
 D864,977 S \* 10/2019 Lehmann ..... D14/485  
 D866,599 S \* 11/2019 Meyer ..... D14/492  
 D874,513 S \* 2/2020 Whitmore ..... D14/488  
 D877,171 S \* 3/2020 Poindexter ..... D14/486  
 D881,913 S \* 4/2020 Harry ..... D14/486  
 D887,445 S \* 6/2020 Brinker ..... D14/492  
 2007/0136679 A1 6/2007 Yang  
 2010/0161176 A1 \* 6/2010 Auner et al. .... G06F 19/00  
 2010/0333030 A1 \* 12/2010 Johns ..... G06F 3/048  
 715/834  
 2012/0096383 A1 4/2012 Sakamoto et al.  
 2013/0019208 A1 \* 1/2013 Kotler ..... G06F 3/04812  
 715/835  
 2013/0135118 A1 \* 5/2013 Ricci ..... G06F 3/0482  
 340/932.2  
 2014/0129092 A1 \* 5/2014 Mori ..... B60K 37/06  
 701/49  
 2015/0298549 A1 \* 10/2015 Tamura ..... B60K 35/00  
 340/461  
 2017/0140467 A1 \* 5/2017 Neag ..... G06Q 40/08  
 2017/0371429 A1 \* 12/2017 Tsai et al. .... G06F 3/0362  
 2018/0091085 A1 \* 3/2018 Tamagaki ..... B60T 17/18  
 2019/0087876 A1 \* 3/2019 Jones ..... G06Q 30/0282

OTHER PUBLICATIONS

Summer, Cat Assessment, posted at dribbble, posting date Oct. 13, 2017, site visited Mar. 11, 2020. URL: <<https://dribbble.com/shots/3871718-Cat-Assessment>> (Year: 2017).\*

Deepesh, Mobile App Screen UI, posted at dribbble, posting date May 13, 2016. Site visited Mar. 13, 2020. URL: <<https://dribbble.com/shots/2712756-Mobile-App-Screen-UI>> (Year: 2016).\*

Nurse, Justin, Online Speed Test Module, posted at dribbble, posting date May 12, 2013. Site visited Mar. 11, 2020. URL: <<https://dribbble.com/shots/1068028-Online-Speed-Test-Module>> (Year: 2013).\*

\* cited by examiner

