



US00D901518S

(12) **United States Design Patent** (10) **Patent No.:** **US D901,518 S**
Ganguanco et al. (45) **Date of Patent:** **** Nov. 10, 2020**

(54) **ELECTROPHORESIS AND IMAGING SYSTEM DISPLAY SCREEN WITH GRAPHICAL USER INTERFACE**

(71) Applicants: **LIFE TECHNOLOGIES CORPORATION**, Carlsbad, CA (US); **LIFE TECHNOLOGIES HOLDINGS PTE LIMITED**, Singapore (SG)

(72) Inventors: **Jefferson Ganguanco**, Singapore (SG); **Sean Zimmerman**, Encinitas, CA (US); **Joshua Mead**, San Diego, CA (US); **Scott Rickes**, San Diego, CA (US)

(73) Assignees: **LIFE TECHNOLOGIES CORPORATION**, Carlsbad, CA (US); **LIFE TECHNOLOGIES HOLDINGS PTE LIMITED**, Singapore (SG)

(**) Term: **15 Years**

(21) Appl. No.: **29/650,929**

(22) Filed: **Jun. 11, 2018**

Related U.S. Application Data

(62) Division of application No. 29/606,325, filed on Jun. 2, 2017, now Pat. No. Des. 829,235.

(51) **LOC (12) Cl.** **14-04**

(52) **U.S. Cl.**
USPC **D14/485**

(58) **Field of Classification Search**
USPC D14/485-495
CPC G06F 3/048; G06F 3/0481; G06F 3/04817; G06F 3/0482; G06F 3/0483; G06F 3/04842; G06F 3/0485; G06F 3/04855; G06F 3/0486; G06F 3/0488; G06F 3/04886; G06F 9/4443; G06F 17/211; G06F 17/212

See application file for complete search history.

(56) **References Cited**

U.S. PATENT DOCUMENTS

5,995,093 A 11/1999 Lambourne et al.
D464,660 S 10/2002 Weng et al.
D583,386 S 12/2008 Tomizawa et al.
D614,192 S * 4/2010 Takano D14/486

(Continued)

OTHER PUBLICATIONS

“IBlot®2 Dry Blotting System How to Video” Nov. 14, 2013, YouTube, site visited Aug. 13, 2020: <https://www.youtube.com/watch?v=g7DT5xGheCE> (Year: 2013).*

(Continued)

Primary Examiner — Jack Reickel

(57) **CLAIM**

The ornamental design for an electrophoresis and imaging system display screen with graphical user interface, as shown and described.

DESCRIPTION

FIG. 1 is a view of a first embodiment of an electrophoresis and imaging system display screen with graphical user interface of our new design.

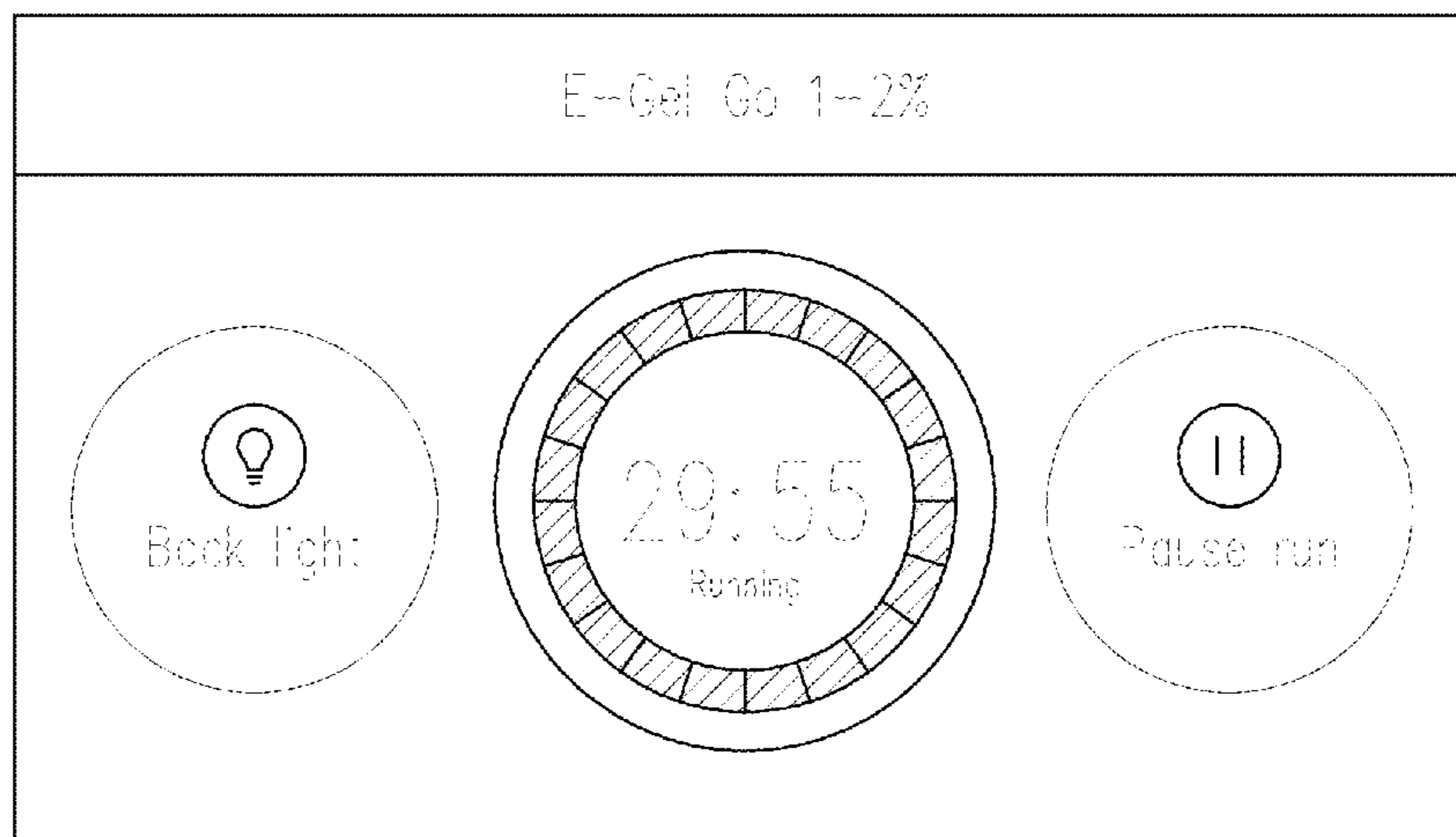
FIG. 2 is a view of a second embodiment of an electrophoresis and imaging system display screen with graphical user interface of our new design.

FIG. 3 is a view of a third embodiment of an electrophoresis and imaging system display screen with graphical user interface of our new design; and,

FIG. 4 is a view of a fourth embodiment of an electrophoresis and imaging system display screen with graphical user interface of our new design.

The broken line showing of a display screen and portions of a graphical user interface is included for the purpose of illustrating portions of the article and forms no part of the claimed design.

1 Claim, 4 Drawing Sheets



(56)

References Cited

U.S. PATENT DOCUMENTS

D650,393 S 12/2011 Doll
 D682,297 S 5/2013 DiJulio et al.
 D697,935 S 1/2014 Lee et al.
 D701,226 S 3/2014 Jung
 D706,806 S 6/2014 Nishizawa
 D707,705 S 6/2014 Folken et al.
 D715,811 S 10/2014 Tsukamoto
 D716,325 S 10/2014 Brudnicki
 D717,823 S 11/2014 Brotman et al.
 D724,603 S 3/2015 Williams et al.
 D732,049 S 6/2015 Amin et al.
 D737,283 S 8/2015 Scalisi
 D747,352 S * 1/2016 Lee D14/492
 D751,090 S 3/2016 Hu et al.
 D752,072 S 3/2016 Song
 D752,618 S 3/2016 Lee et al.
 D753,685 S 4/2016 Zimmerman et al.
 D753,712 S 4/2016 Lee
 D754,714 S 4/2016 Zhang et al.
 D755,240 S 5/2016 Cavander et al.
 D758,422 S 6/2016 Zhao
 D759,684 S * 6/2016 Bijlani D14/486
 D769,314 S 10/2016 Piroddi et al.
 D771,130 S * 11/2016 Cho D14/490
 D772,249 S 11/2016 Choi et al.
 D778,946 S 2/2017 Epstein et al.
 D784,387 S * 4/2017 Lee D14/486
 D785,025 S 4/2017 Zimmerman et al.
 D786,301 S * 5/2017 Napper D14/489
 D790,581 S 6/2017 Chaudhri et al.

D792,444 S 7/2017 Cho et al.
 D792,458 S * 7/2017 Chaudhri D14/489
 D795,288 S 8/2017 McColl
 D797,772 S 9/2017 Mizono et al.
 D803,250 S 11/2017 Lee et al.
 D808,974 S * 1/2018 Chiappone D14/485
 D826,272 S 8/2018 Lee et al.
 D826,963 S * 8/2018 Guan D14/486
 D829,235 S 9/2018 Gangcuangco et al.
 D831,035 S 10/2018 McGlasson et al.
 D852,820 S 7/2019 Sanchez
 2009/0228820 A1 9/2009 Kim et al.
 2011/0071818 A1 * 3/2011 Jiang G06F 3/0236
 704/8
 2014/0282016 A1 9/2014 Hosier, Jr.
 2015/0058769 A1 * 2/2015 Kim G06F 3/04817
 715/765
 2016/0018978 A1 1/2016 Zenoff
 2016/0021155 A1 1/2016 Sawato

OTHER PUBLICATIONS

“PXi and PXi Touch gel imaging systems” Jan. 10, 2014, YouTube, site visited Aug. 13, 2020: https://www.youtube.com/watch?v=RUL_AKSNr6I (Year: 2014).*
 “Nuevos equipos Applied Biosystems para PCR en Tiempo Real” Nov. 23, 2015, YouTube, site visited Aug. 13, 2020: <https://www.youtube.com/watch?v=yYyNME6UVGc> (Year: 2015).*
 “SimpliAmp™ Made Easy” May 12, 2014, YouTube, site visited Aug. 13, 2020: https://www.youtube.com/watch?v=QV_9QtOtLxs (Year: 2014).*

* cited by examiner

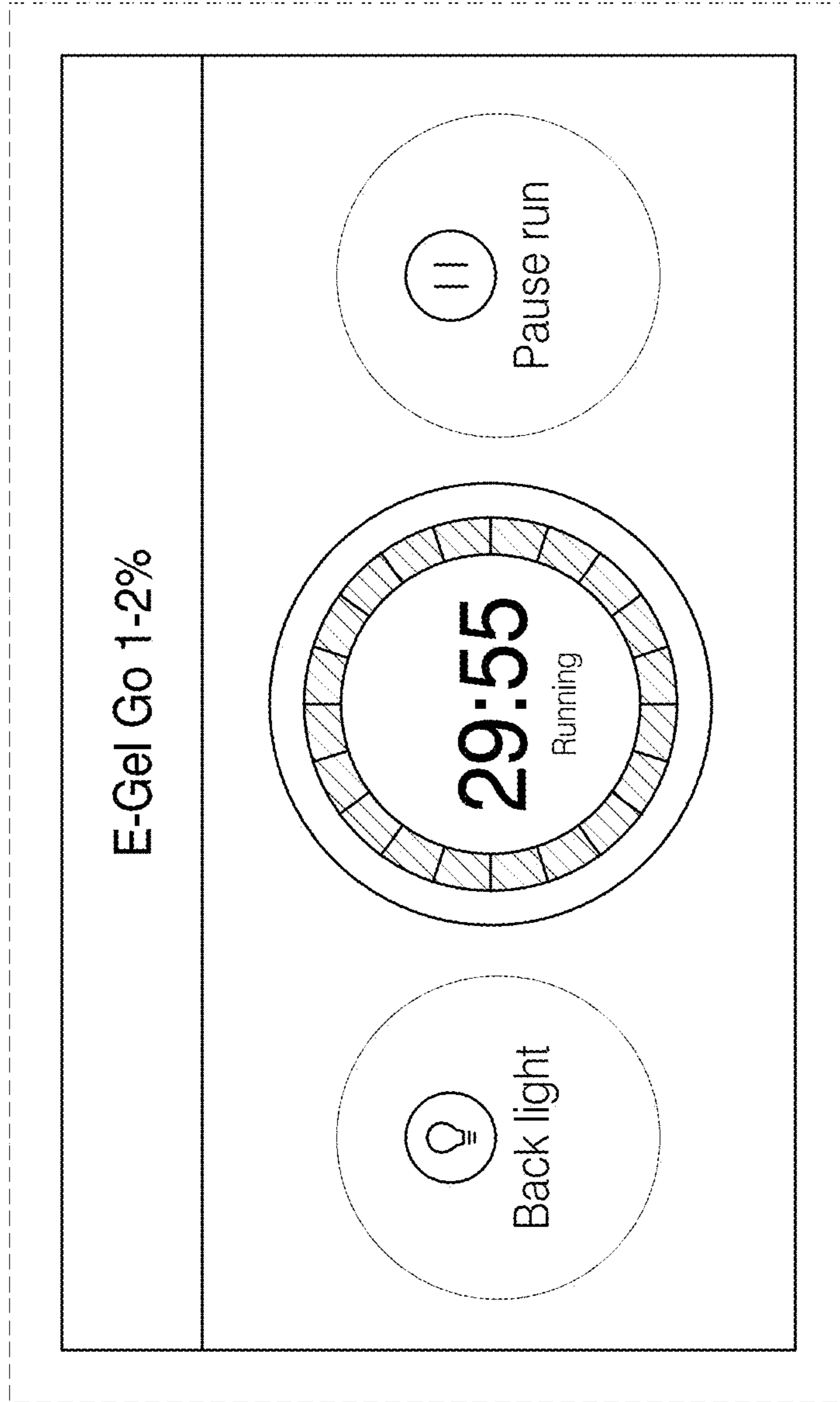


FIG. 1

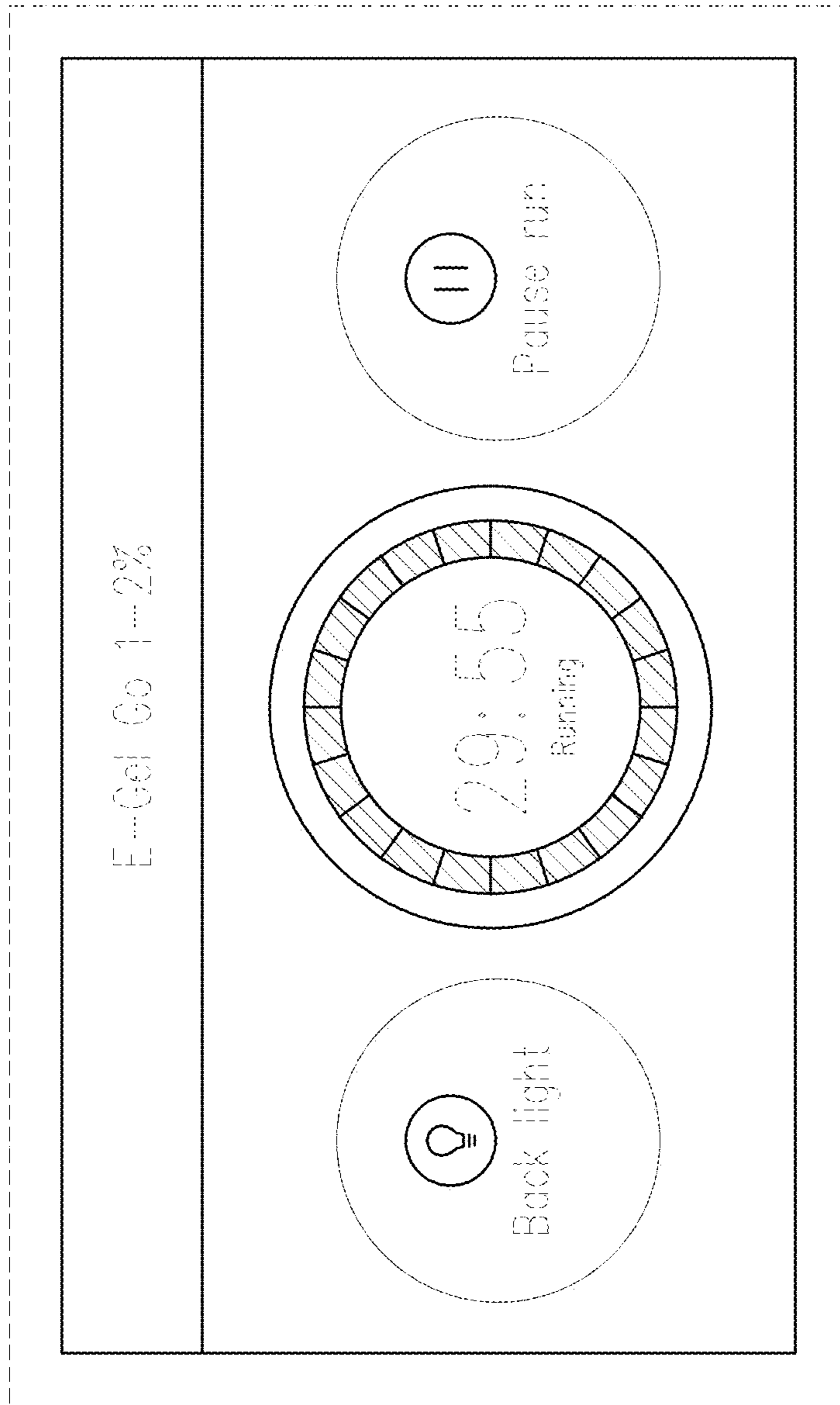


FIG. 2

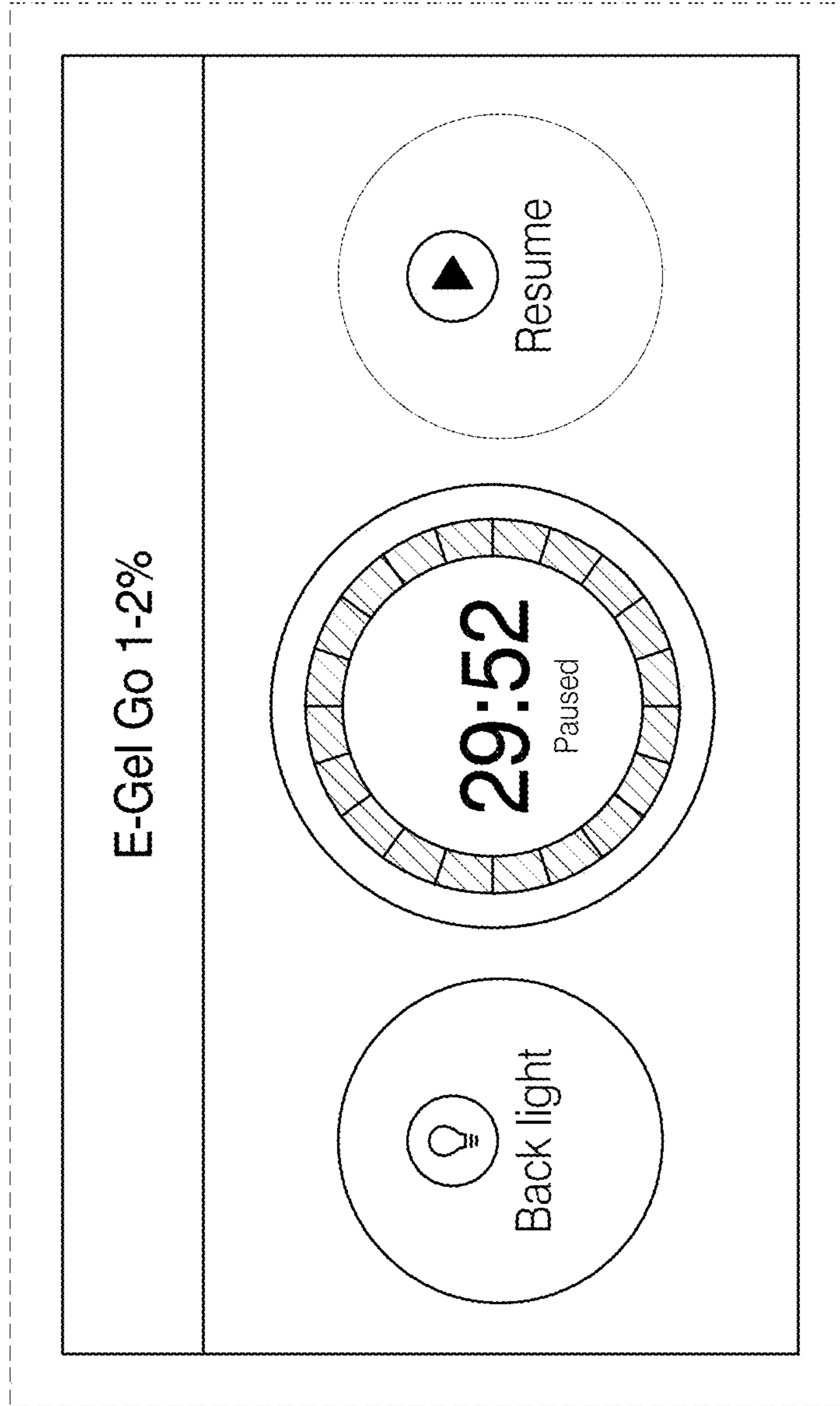


FIG. 3

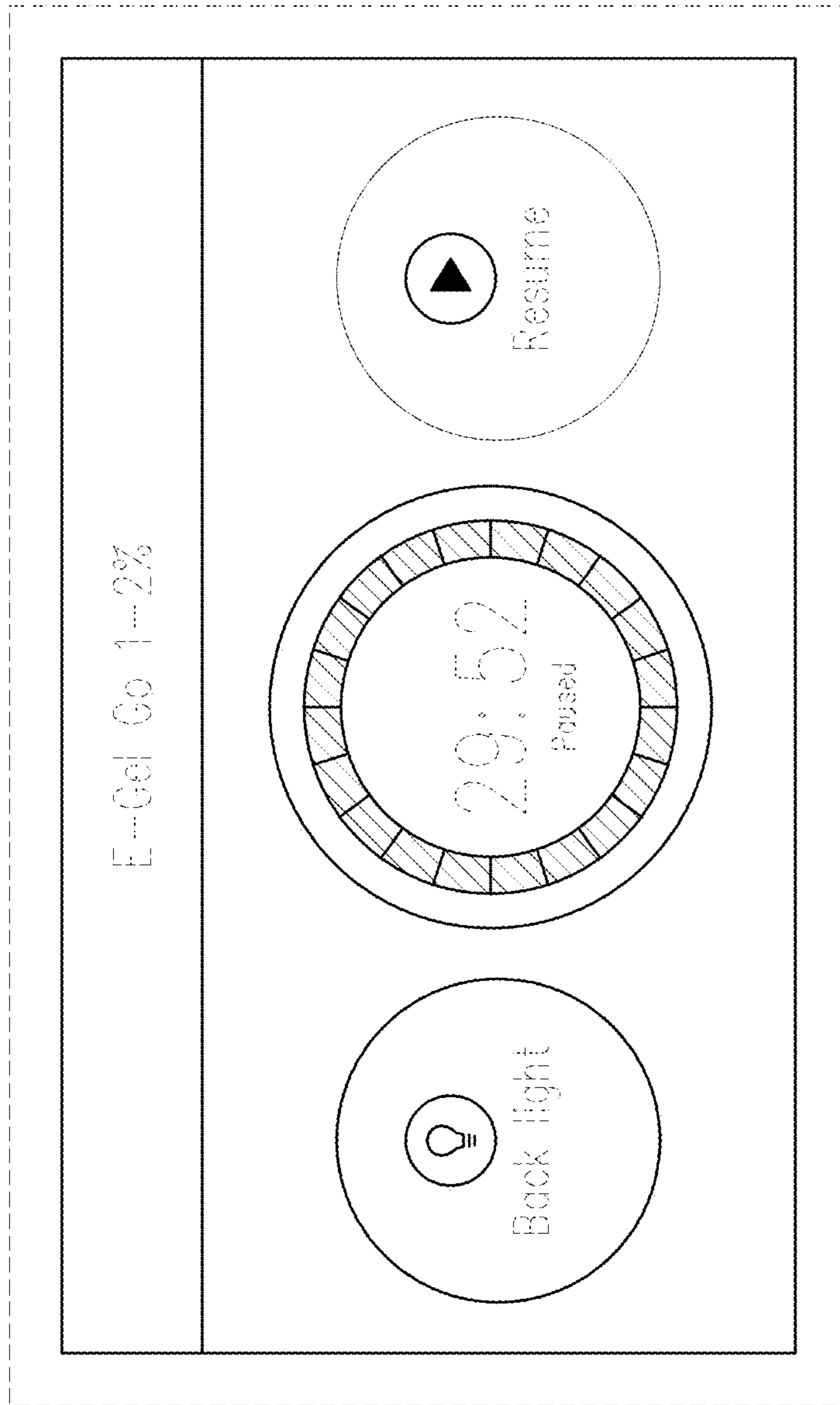


FIG. 4