



US00D901515S

(12) **United States Design Patent** (10) **Patent No.:** **US D901,515 S**
Wahnon et al. (45) **Date of Patent:** **** Nov. 10, 2020**

(54) **DISPLAY SCREEN OR PORTION THEREOF WITH GRAPHICAL USER INTERFACE**

FOREIGN PATENT DOCUMENTS

(71) Applicant: **Demisto Inc.**, Cupertino, CA (US)

WO D092294-013 * 9/2016
WO D101888-003 * 12/2018
WO D200141-006 * 3/2019

(72) Inventors: **Meir Wahnon**, Tel Aviv (IL); **Neelima Rustagi**, San Jose, CA (US); **Ido Shavit**, Kfar Yona (IL)

OTHER PUBLICATIONS

(73) Assignee: **Palo Alto Networks, Inc.**, Santa Clara, CA (US)

Trend Micro Maximum Security 2016, announced Aug. 25, 2015 [online], [retrieved Jan. 24, 2020]. Available from Internet, URL: <<https://me.pcmag.com/cross-platform/3086/trend-micro-maximum-security-2016>> (Year: 2015).*

(**) Term: **15 Years**

(Continued)

(21) Appl. No.: **29/618,806**

Primary Examiner — Dana K Weiland

(22) Filed: **Sep. 25, 2017**

(74) *Attorney, Agent, or Firm* — Gilliam IP PLLC

(51) **LOC (12) Cl.** **14-04**

(52) **U.S. Cl.**

USPC **D14/485**

(58) **Field of Classification Search**

USPC D14/485–495

CPC G06F 3/048; G06F 3/0481; G06F 3/0482; G06F 3/04842; G06F 3/04817

See application file for complete search history.

(57) **CLAIM**

The ornamental design for a display screen or portion thereof with graphical user interface, as shown and described.

DESCRIPTION

(56) **References Cited**

U.S. PATENT DOCUMENTS

D759,077 S * 6/2016 Bergmann D14/486
D759,079 S * 6/2016 Carlton D14/486
D762,665 S * 8/2016 Lee D14/485
D771,103 S * 11/2016 Eder D14/486
D775,658 S * 1/2017 Luo D14/488
D786,610 S * 5/2017 Koehler D7/346
D788,792 S * 6/2017 Alessandri D14/485
D795,886 S * 8/2017 Ng D14/485
D795,906 S * 8/2017 Butrick D14/486
D798,311 S * 9/2017 Golden F24F 11/30
D799,536 S * 10/2017 Eder D14/487
D811,425 S * 2/2018 Olsen D14/486
D829,739 S * 10/2018 Lavin, Jr. D14/486

FIG. 1 is a front view of a display screen or portion thereof with graphical user interface showing a first embodiment of the present design;

FIG. 2 is a front view of a display screen or portion thereof with graphical user interface showing a second embodiment of the present design; and,

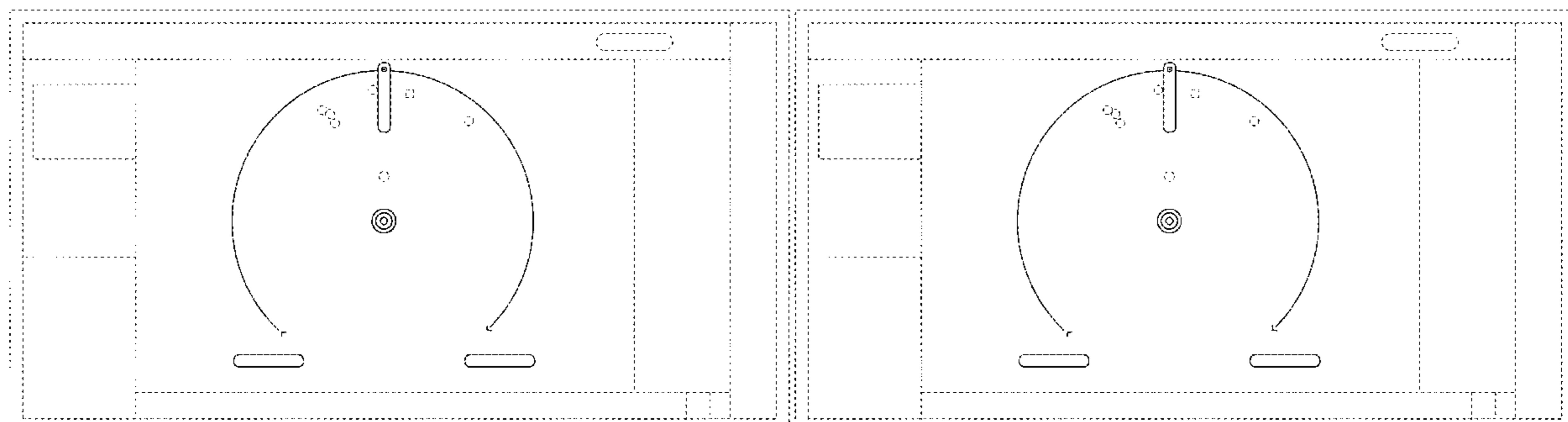
FIG. 3 is a front view of a display screen or portion thereof with graphical user interface showing a third embodiment of the present design.

The outermost broken lines in the figures show a display screen or portion thereof and form no part of the claimed design.

The other broken lines in the Figures show portions of the graphical user interface that form no part of the claimed design.

(Continued)

1 Claim, 3 Drawing Sheets



(56)

References Cited

U.S. PATENT DOCUMENTS

D843,381 S * 3/2019 Wassell E21B 44/00
D14/485
D854,032 S * 7/2019 Jones D14/486
D862,498 S * 10/2019 Bae D14/485
D863,326 S * 10/2019 Weilandt D14/485
D869,477 S * 12/2019 Yoon D14/485
D872,744 S * 1/2020 Kim D14/485
2014/0245161 A1* 8/2014 Yuen A61B 5/743
715/736
2014/0282261 A1* 9/2014 Ranz G06F 3/0482
715/838
2015/0106726 A1* 4/2015 Nagasaki G06F 3/04842
715/739

OTHER PUBLICATIONS

Starlight Product Tour, announced 2019 [online], [retrieved Jan. 24, 2020]. Available from Internet, URL:<<https://stellarcyber.ai/products/product-tour/#1551300330333-0a24a919-45dd>> (Year: 2019).*

* cited by examiner

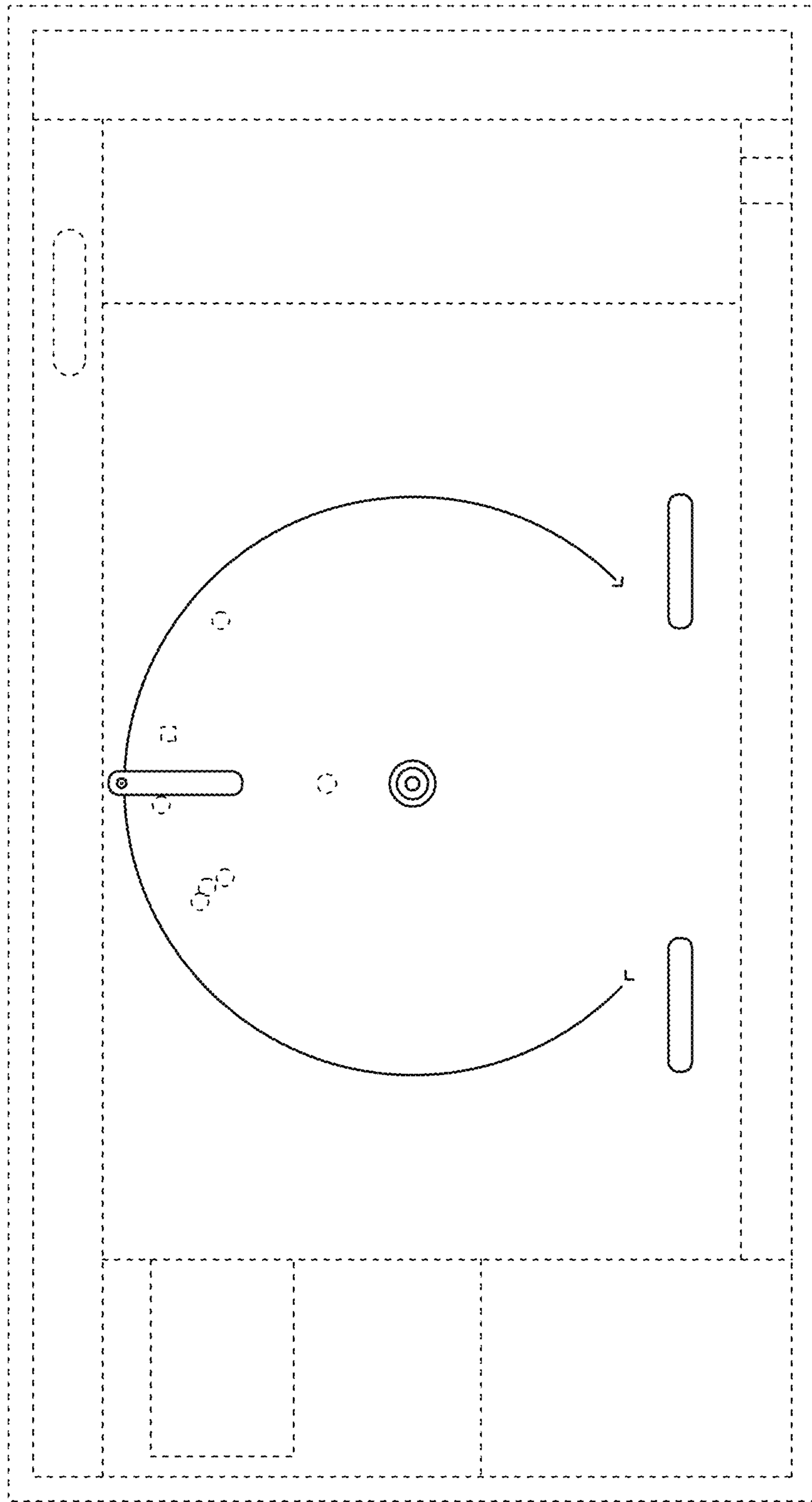


FIG.1

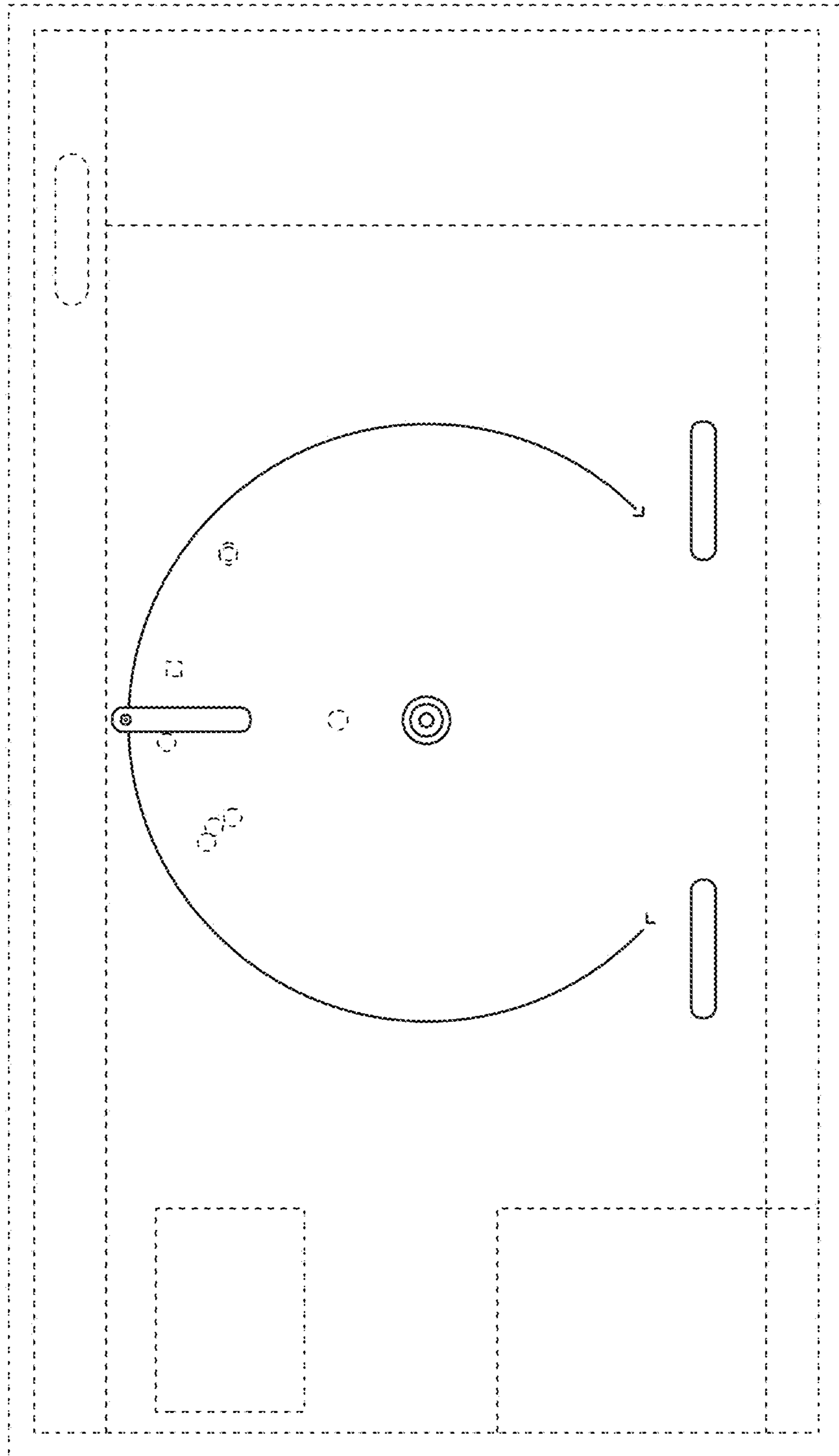


FIG. 2

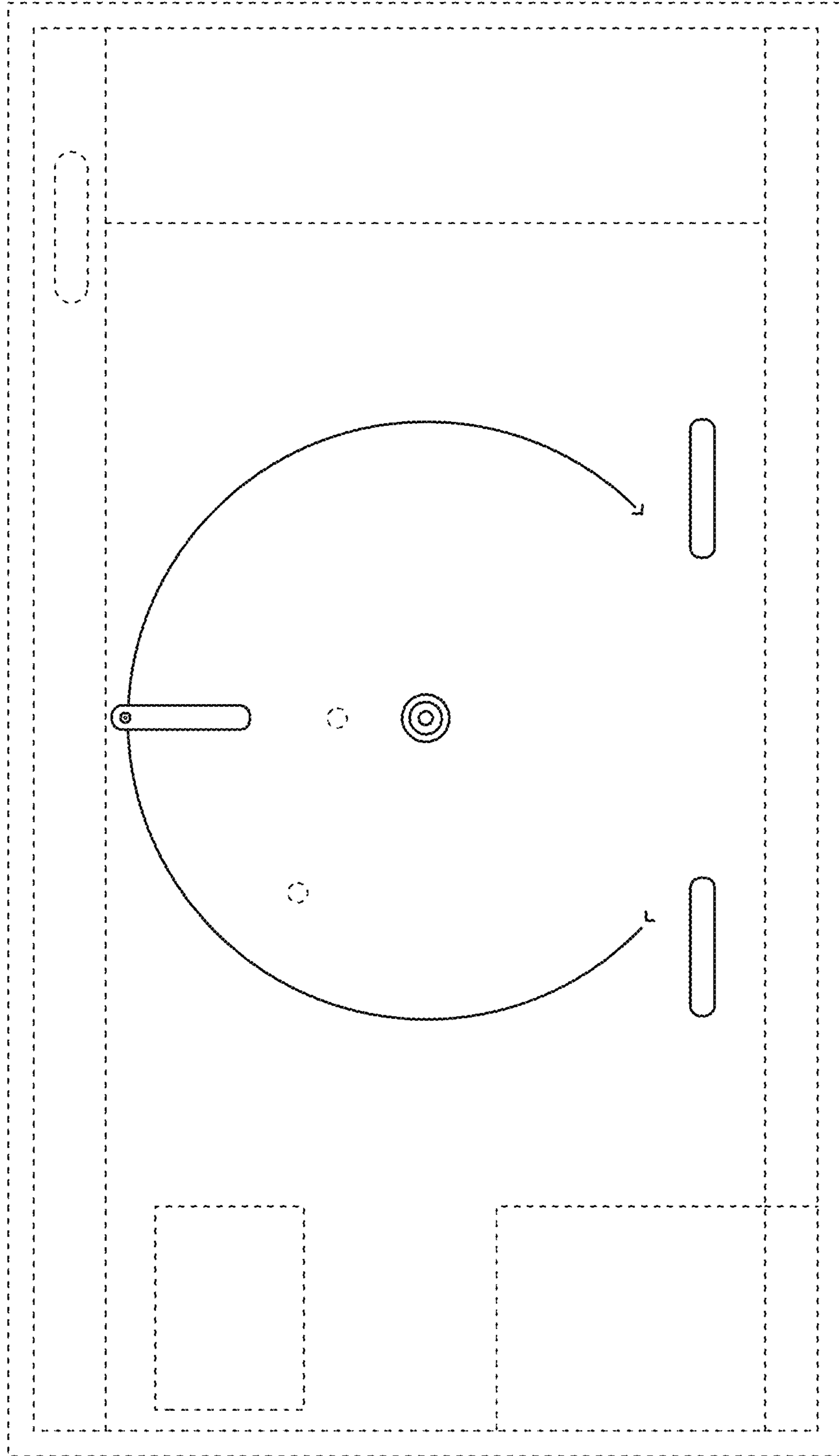


FIG. 3