



US00D901514S

(12) **United States Design Patent** (10) **Patent No.:** **US D901,514 S**
Knapp et al. (45) **Date of Patent:** **** Nov. 10, 2020**

(54) **DISPLAY MOUNT**

FOREIGN PATENT DOCUMENTS

(71) Applicant: **CKnapp Sales, Inc.**, Goodfield, IL (US)

CN 300951938 * 7/2009

(72) Inventors: **Chance Knapp**, Goodfield, IL (US);
Micah Fehr, Danvers, IL (US)

OTHER PUBLICATIONS

(73) Assignee: **CKnapp Sales, Inc.**, Goodfield, IL (US)

Amazon. Link: https://www.amazon.com/dp/B07G2RQGJP/ref=cm_sw_r_t_dp_U_x_rZM8DbYS7Q6E6. Jul. 31, 2018. VIVO Black Tall Free Standing Single Monitor Mount Desk Stand. (Year: 2018).*

(**) Term: **15 Years**

Primary Examiner — Lauren D McVey
(74) *Attorney, Agent, or Firm* — Hanley, Flight and Zimmerman, LLC

(21) Appl. No.: **29/668,420**

(57) **CLAIM**

(22) Filed: **Oct. 30, 2018**

The ornamental design for a display mount, substantially as shown and described.

(51) **LOC (12) Cl.** **14-02**

DESCRIPTION

(52) **U.S. Cl.**

USPC **D14/452**

(58) **Field of Classification Search**

USPC D14/447-452, 336, 341, 371, 373, 374,
D14/375, 376, 377, 126, 127, 128, 129,
D14/239

CPC F16M 11/105; F16M 11/10; F16M 11/048;
F16M 11/12; F16M 13/022

See application file for complete search history.

(56) **References Cited**

U.S. PATENT DOCUMENTS

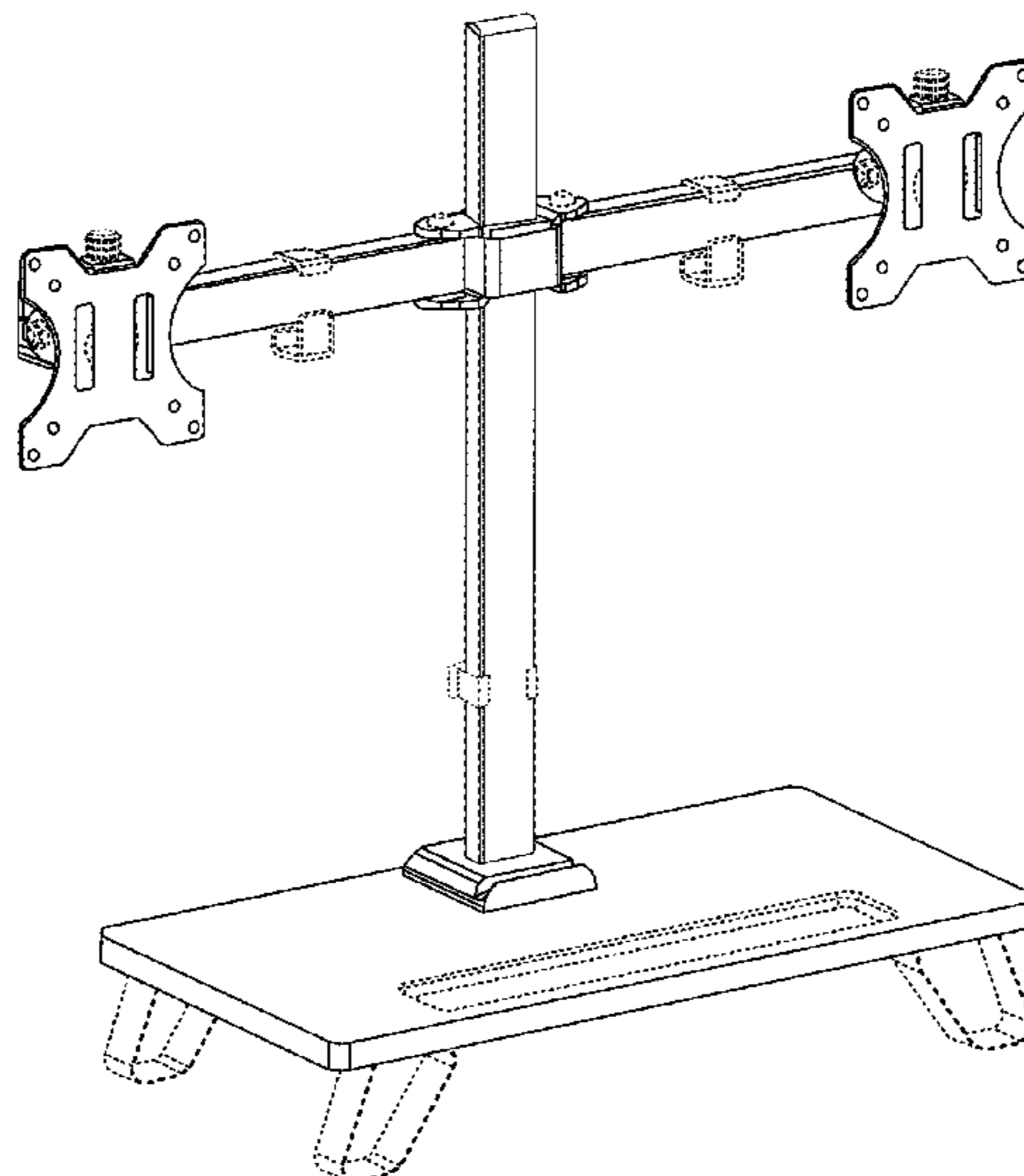
D517,549 S *	3/2006	Depay	D14/375
D601,146 S *	9/2009	Chueh	D14/375
D787,237 S *	5/2017	Bowman	D6/656.15
D805,523 S *	12/2017	Bowman	D14/452
D836,091 S *	12/2018	Shu	D14/239
10,285,497 B1 *	5/2019	Chen	A47B 21/0314
D853,403 S *	7/2019	Lyu	D14/451
D853,404 S *	7/2019	Bowman	D14/452
D854,861 S *	7/2019	Lee	D6/656
2007/0217134 A1 *	9/2007	Shin	F16M 11/105 361/679.07

FIG. 1 is a first isometric view of a display mount, showing our new design;
FIG. 2 is a second isometric view of the display mount of FIG. 1;
FIG. 3 is a front elevation view of the display mount of FIG. 1;
FIG. 4 is a rear elevation view of the display mount of FIG. 1;
FIG. 5 is an enlarged bottom plan view of the display mount of FIG. 1;
FIG. 6 is an enlarged top plan view of the display mount of FIG. 1;
FIG. 7 is a first side elevation view of the display mount of FIG. 1; and,
FIG. 8 is a second side elevation view of the display mount of FIG. 1.

The broken lines immediately adjacent to the claim depict the bounds of the claimed design, while all other broken lines are directed to environment. The broken lines form no part of the claimed design. The wire frame lines shown throughout the views indicate surface contour.

(Continued)

1 Claim, 8 Drawing Sheets



(56)

References Cited

U.S. PATENT DOCUMENTS

2009/0167634 A1* 7/2009 Han G06F 1/1601
345/1.3
2009/0184224 A1* 7/2009 Gan F16M 11/105
248/283.1
2015/0159804 A1* 6/2015 Bowman F16M 11/045
248/122.1

* cited by examiner

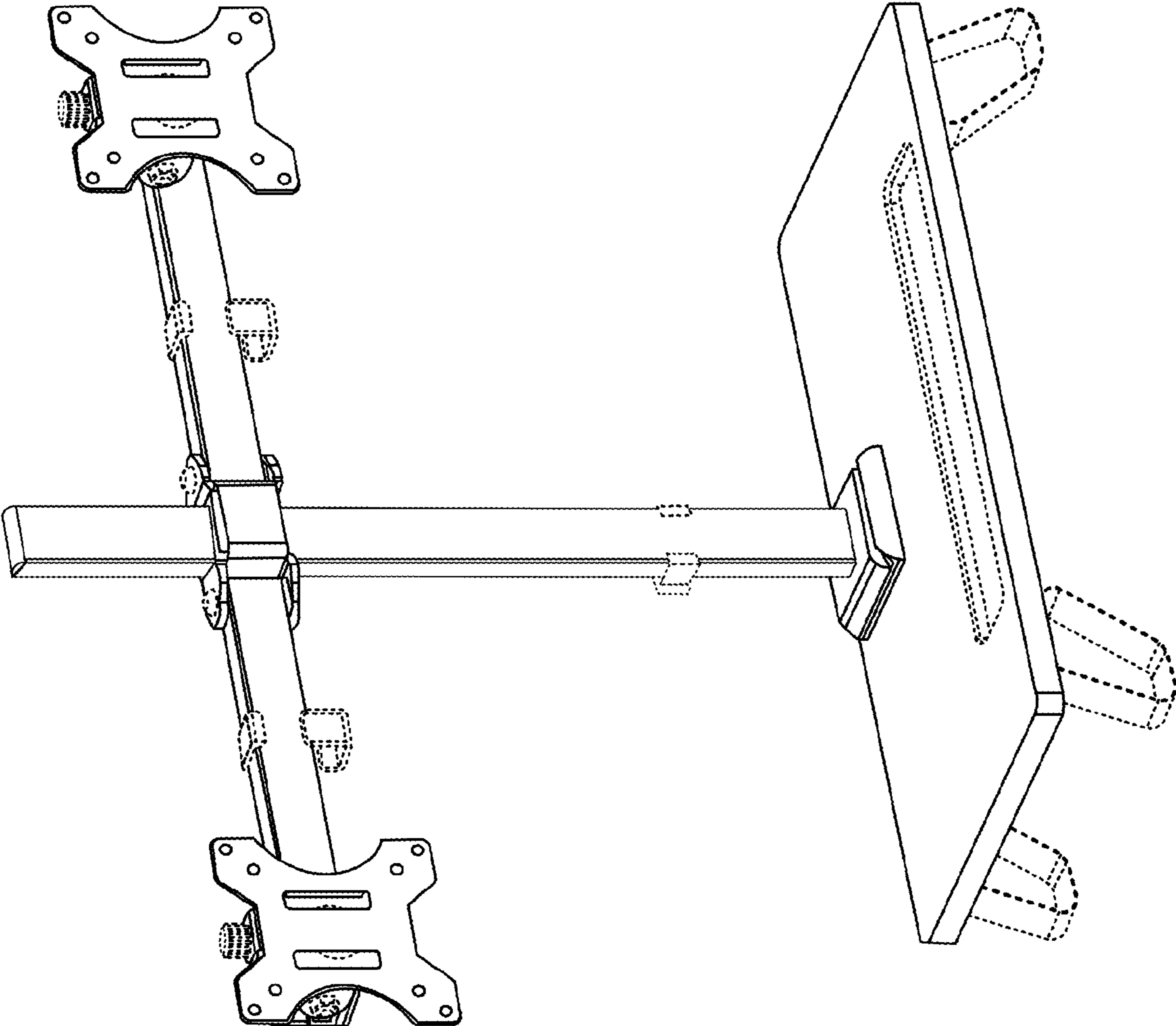


FIG. 1

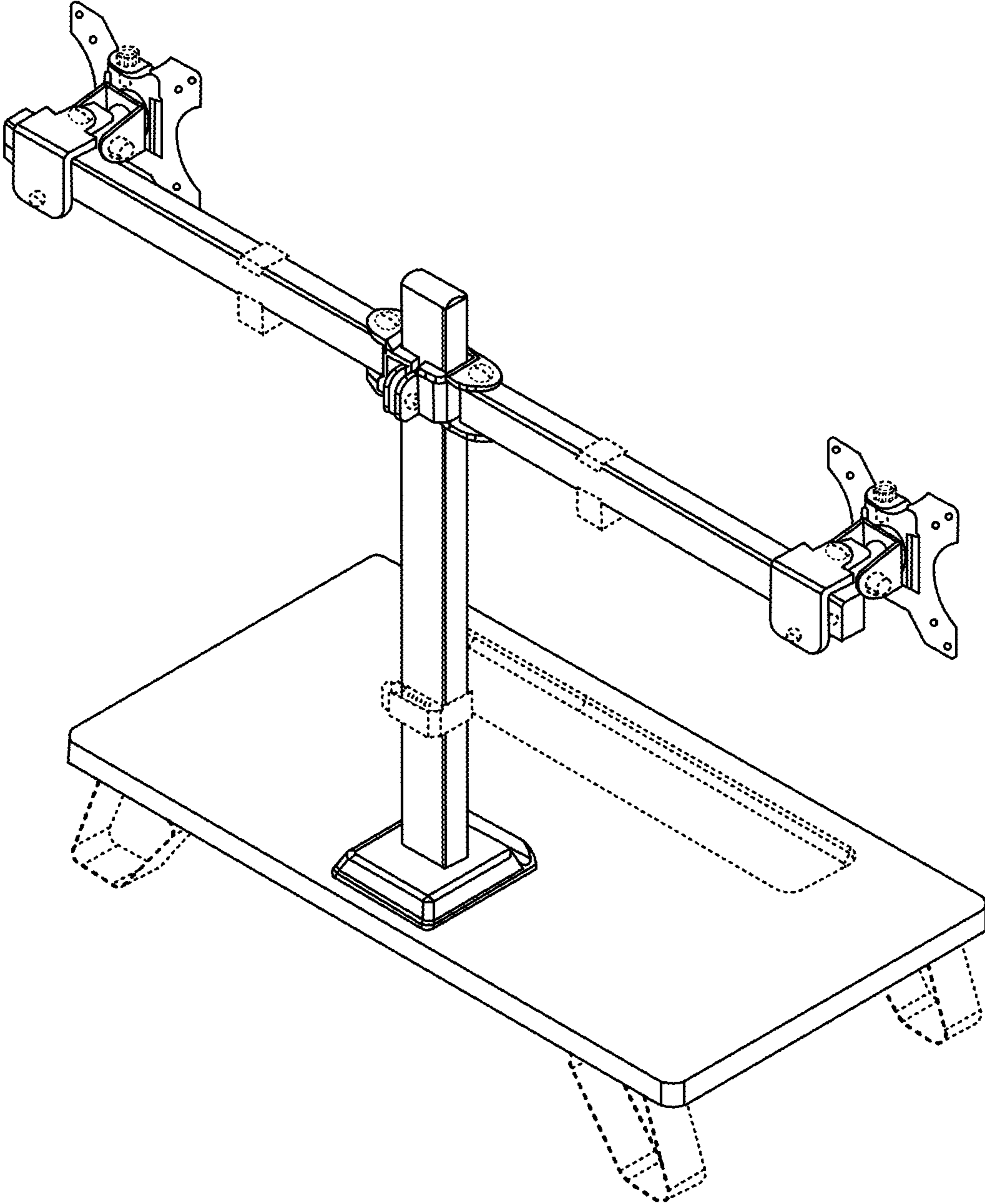


FIG. 2

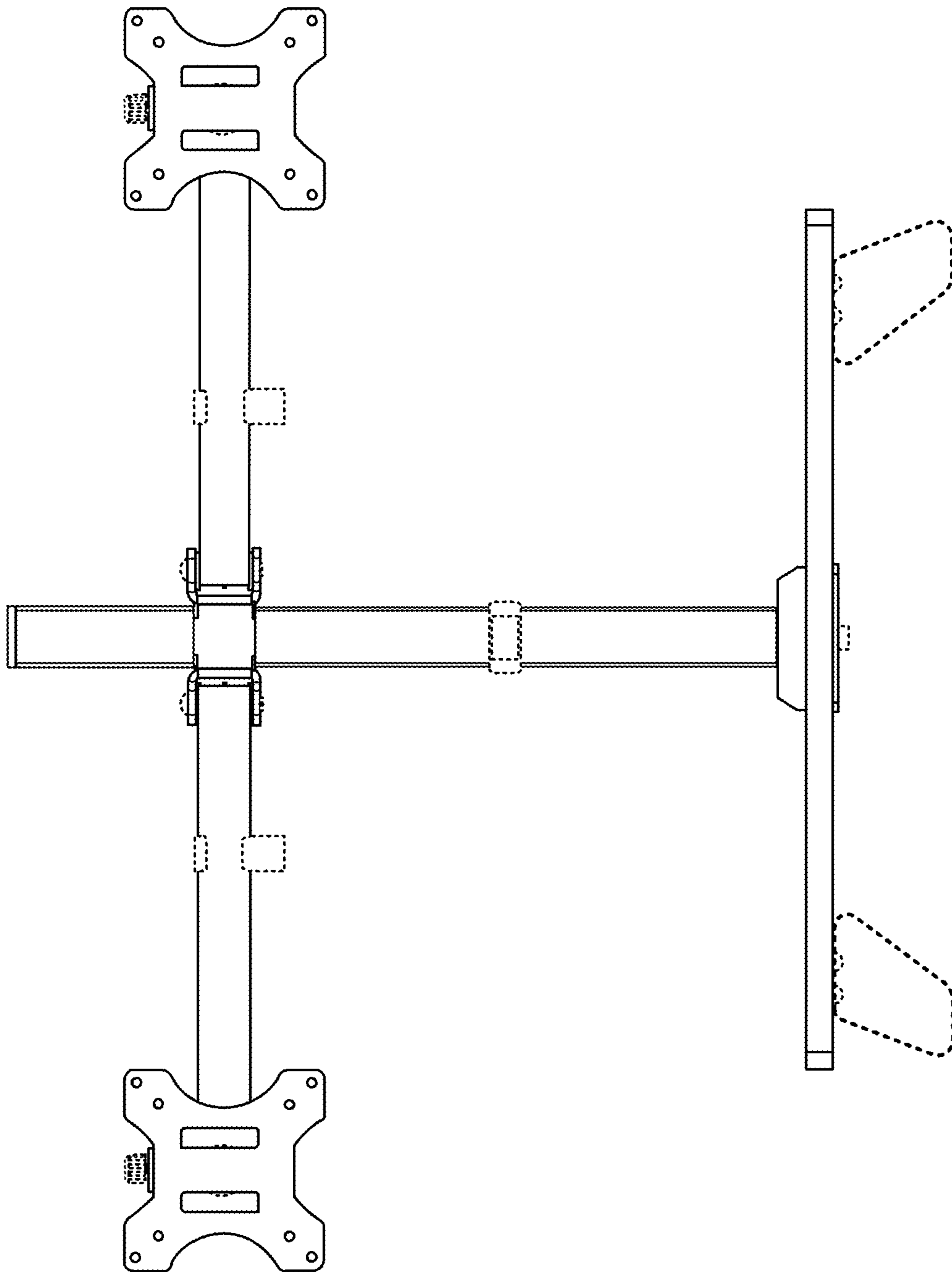


FIG. 3

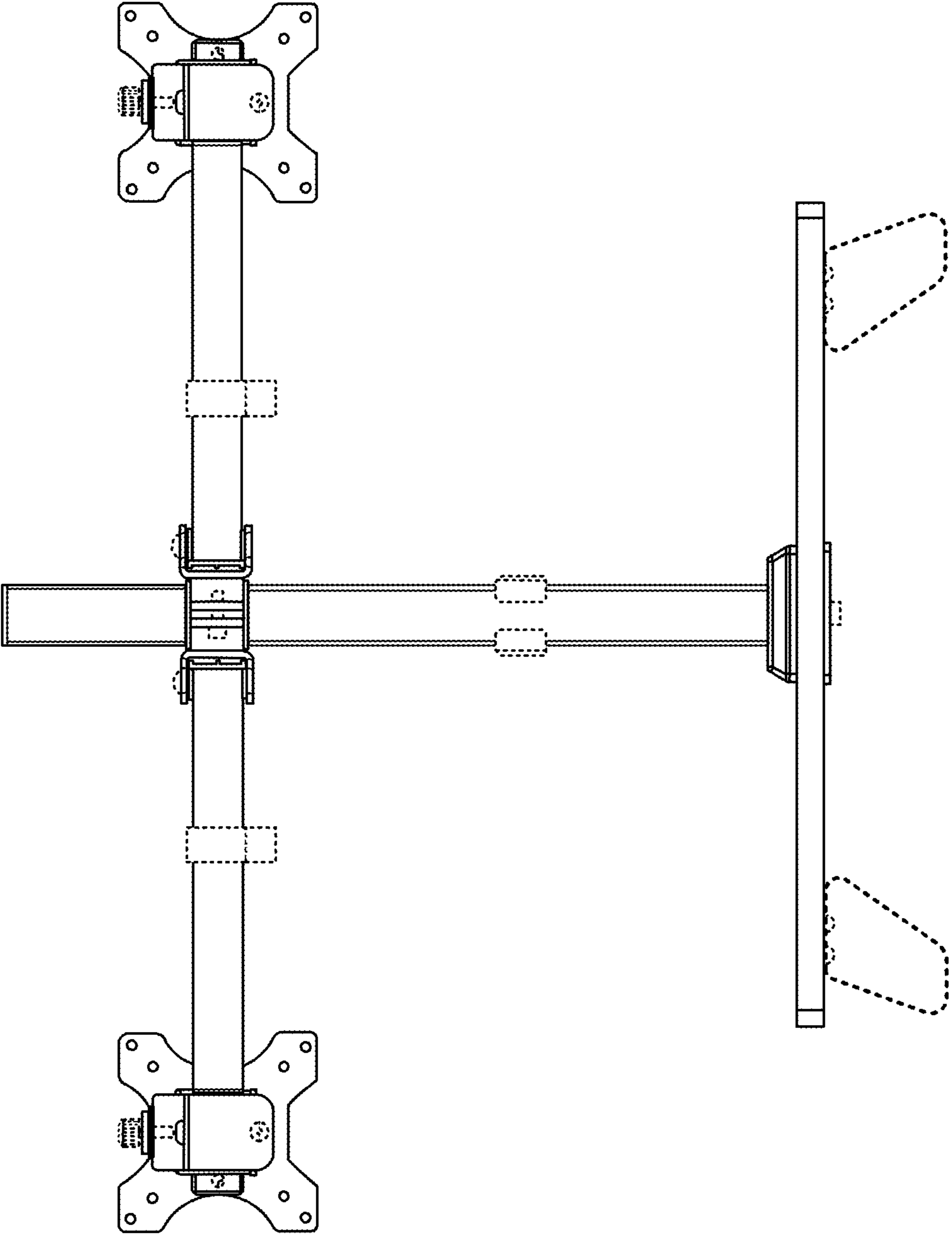


FIG. 4

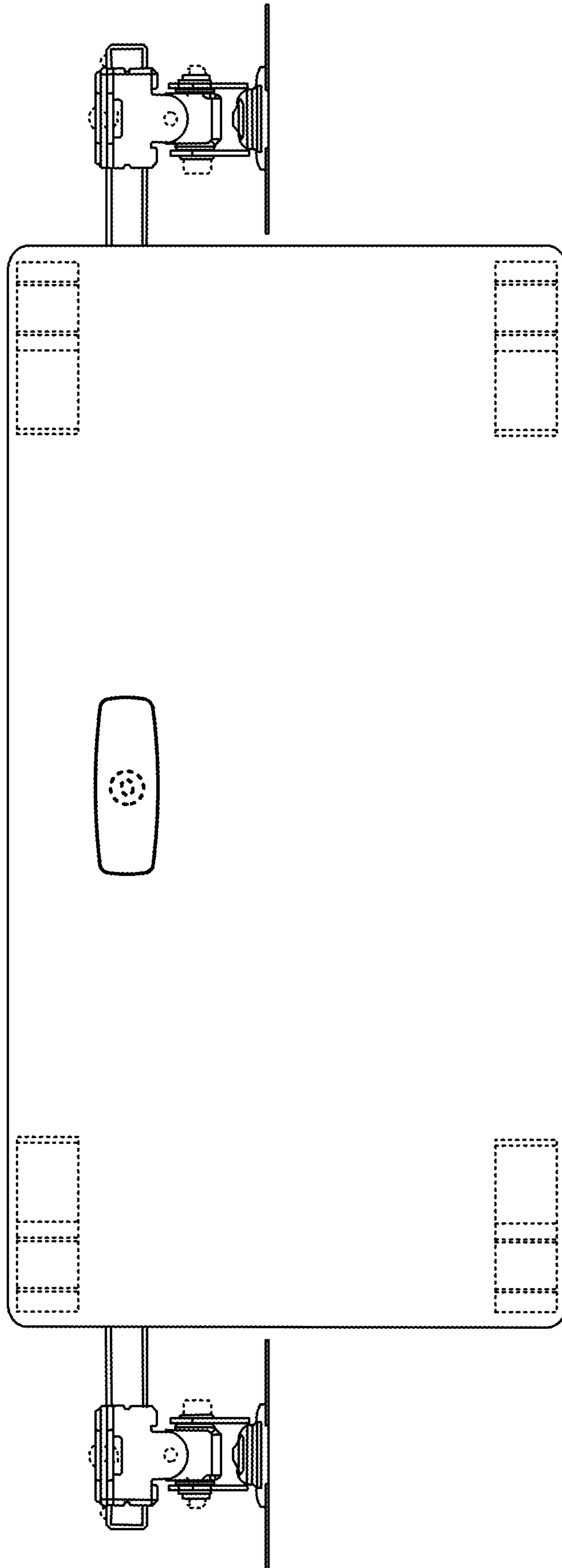


FIG. 5

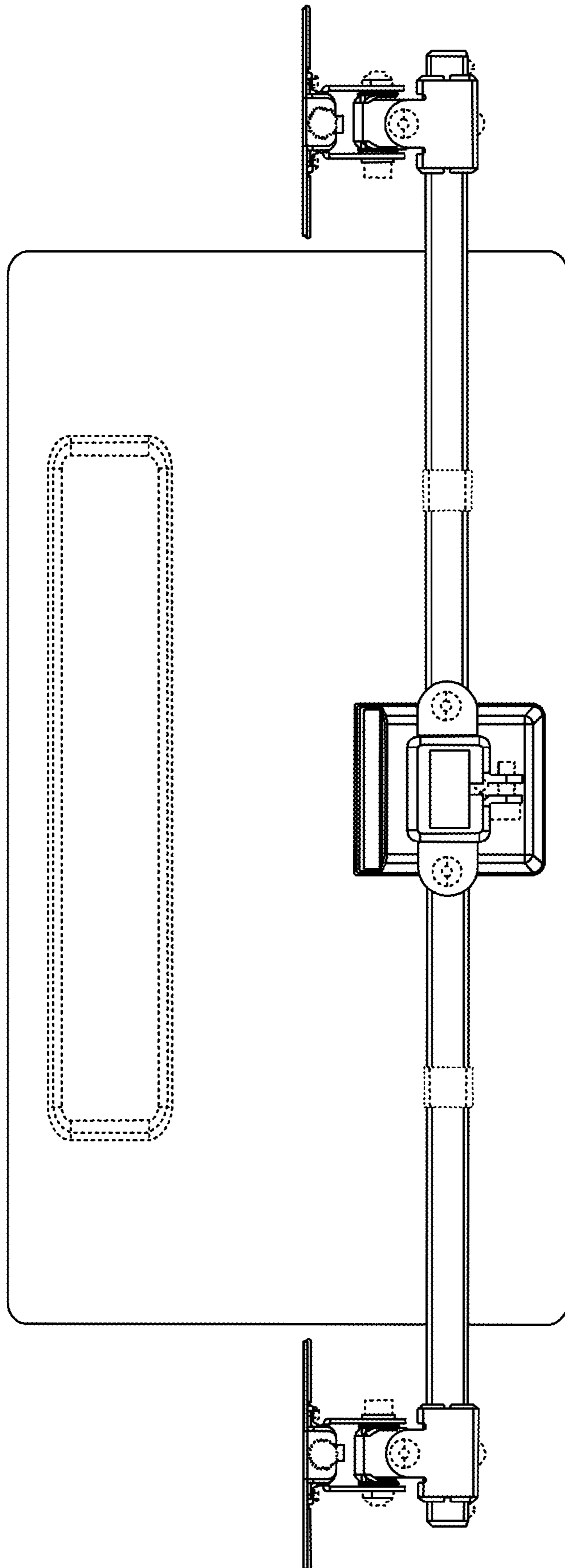


FIG. 6

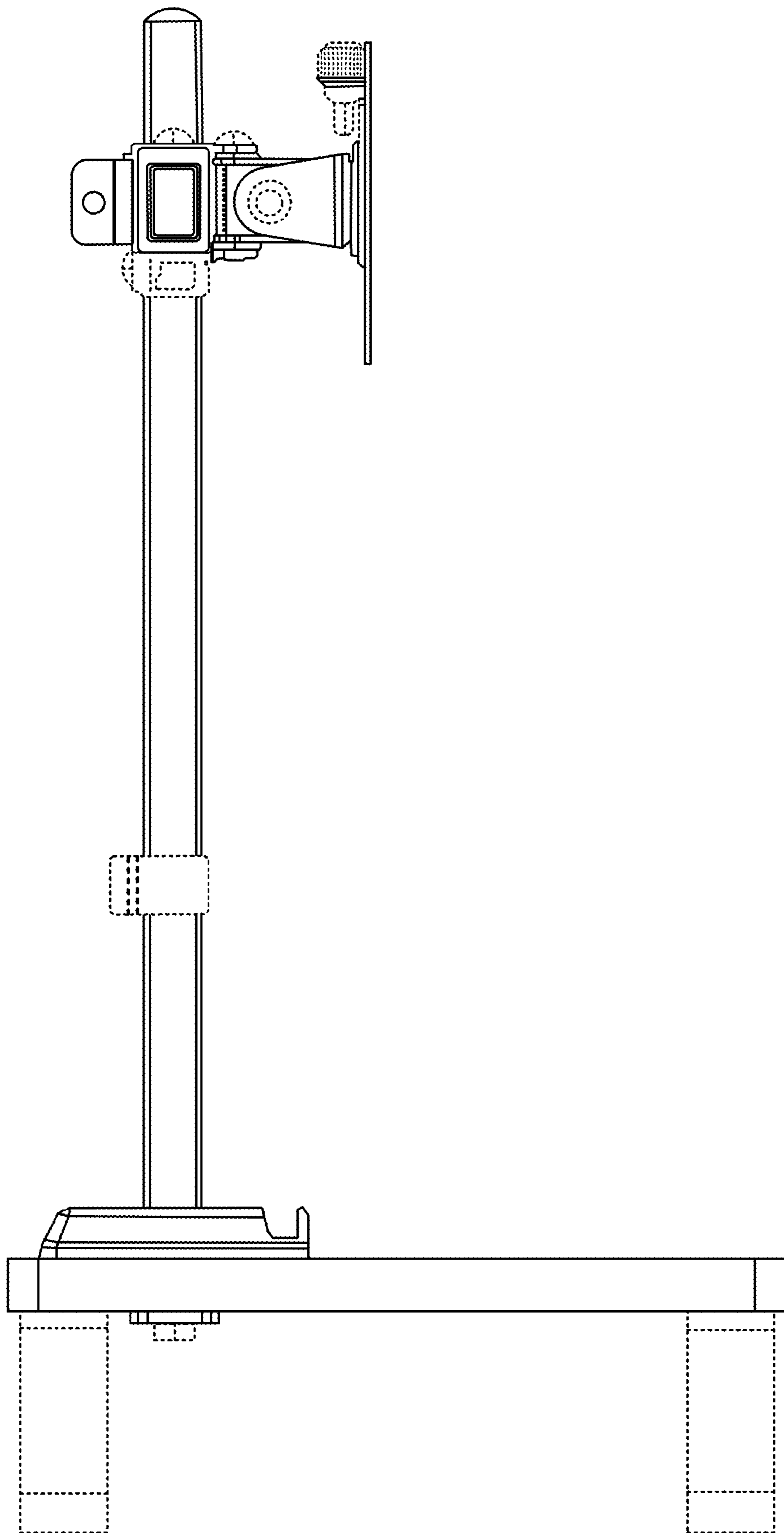


FIG. 7

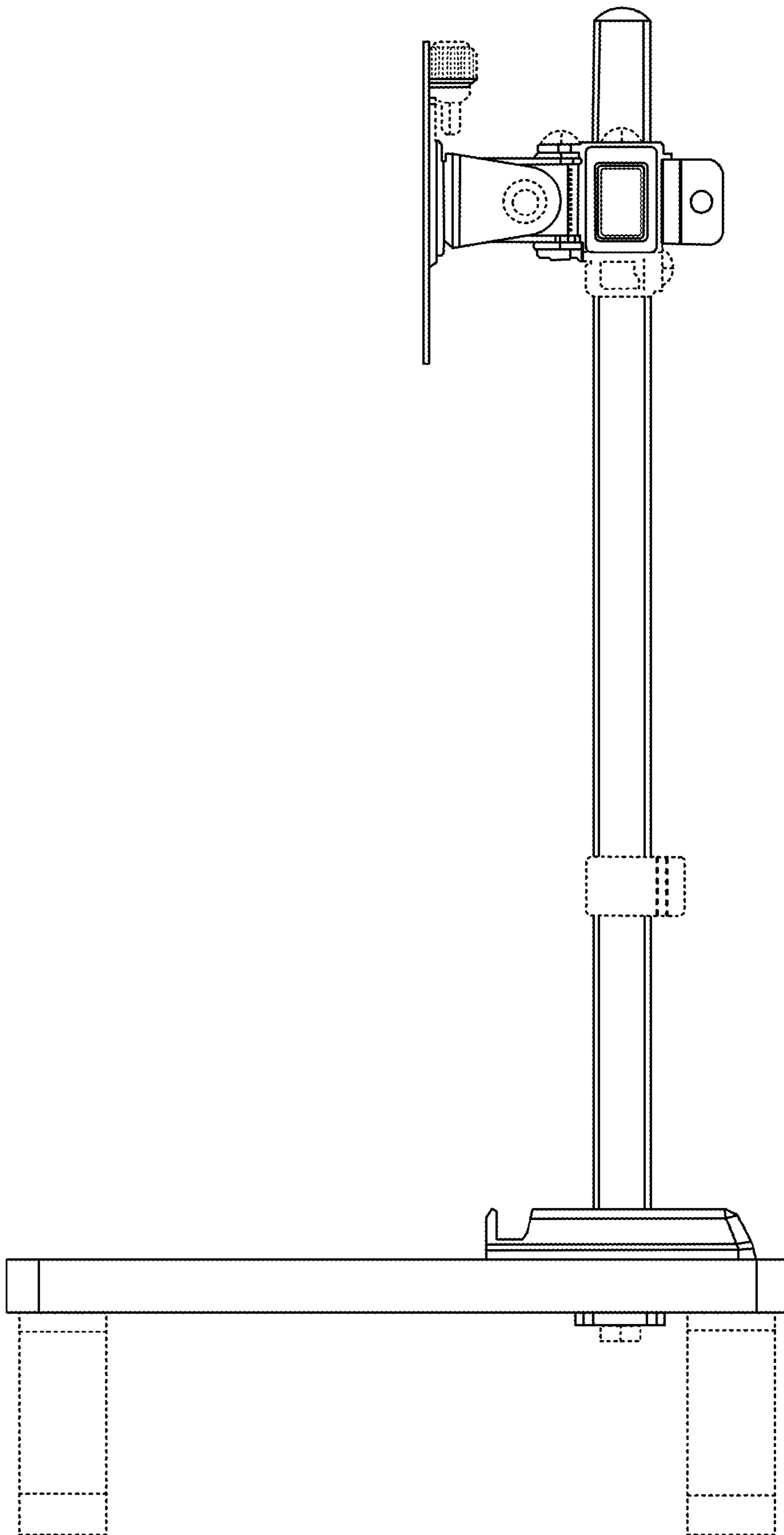


FIG. 8