

US00D901513S

(12) **United States Design Patent** (10) **Patent No.:** **US D901,513 S**  
**Knapp et al.** (45) **Date of Patent:** **\*\* Nov. 10, 2020**

- (54) **LAPTOP MOUNT**
- (71) Applicant: **CKnapp Sales, Inc.**, Goodfield, IL (US)
- (72) Inventors: **Chance Knapp**, Goodfield, IL (US); **Brandon Meyer**, Normal, IL (US)
- (73) Assignee: **CKnapp Sales, Inc.**, Goodfield, IL (US)
- (\*\*) Term: **15 Years**
- (21) Appl. No.: **29/700,365**
- (22) Filed: **Aug. 1, 2019**
- (51) **LOC (12) Cl.** ..... **08-07**
- (52) **U.S. Cl.**  
USPC ..... **D14/447**
- (58) **Field of Classification Search**  
USPC ..... D14/447, 432, 434, 439, 440, 451, 452, D14/457, 239, 253; D8/363, 373, 380; D6/406.3, 406.4, 406.5, 406.6; D12/415  
CPC ..... A47B 21/04; A47B 2097/006; A47B 2097/005; A47B 2023/049; A45C 2011/002; A45C 2011/003; F16M 2200/00; F16M 13/00  
See application file for complete search history.

- D764,478 S \* 8/2016 Radmard ..... H04B 1/3888 D14/440
  - D798,872 S \* 10/2017 Gonen ..... D14/447
  - D829,216 S \* 9/2018 Belitz ..... D14/447
  - D837,222 S \* 1/2019 Janzen ..... D14/447
  - D841,014 S \* 2/2019 Laudadio ..... D14/447
  - D858,257 S \* 9/2019 Yang ..... D8/355
  - D861,701 S \* 10/2019 Benoni ..... D14/447
- (Continued)

**OTHER PUBLICATIONS**

VIVO, "VIVO Single Laptop Notebook Desk Mount Stand—Fully Adjustable Extension with C Clamp (Stand-V001L)," retrieved from <https://www.amazon.com/VIVO-Single-Laptop-Notebook-Mount/dp/B00CM9NG1W>, on Oct. 22, 2019, 8 pages.

(Continued)

*Primary Examiner* — Angela J Lee  
(74) *Attorney, Agent, or Firm* — Hanley, Flight and Zimmerman, LLC

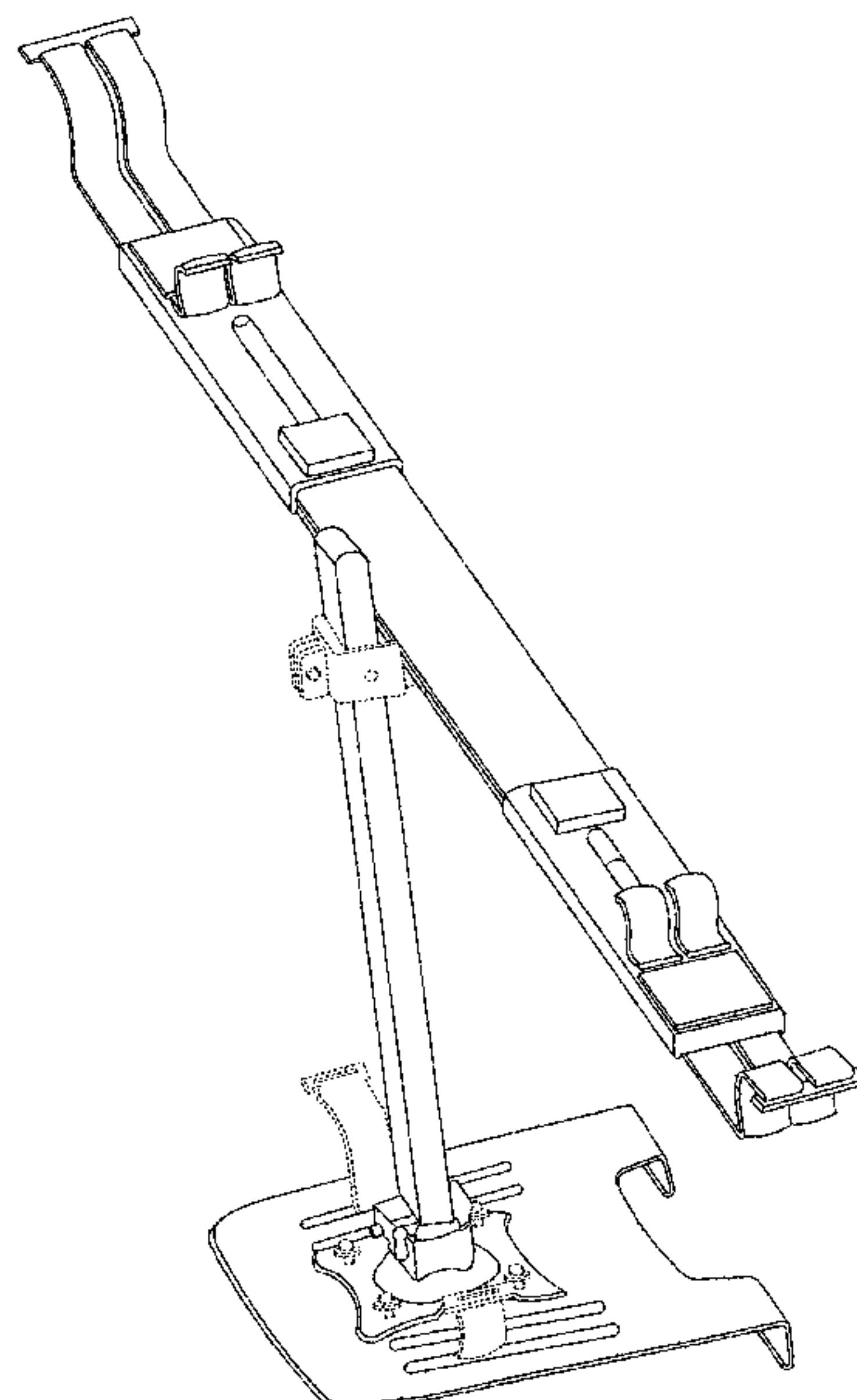
(57) **CLAIM**  
The ornamental design for a laptop mount, as shown and described.

**DESCRIPTION**

FIG. 1 is a first side view of a laptop mount.  
FIG. 2 is a second side view of the laptop mount of FIG. 1.  
FIG. 3 is a rear view of the laptop mount of FIG. 1.  
FIG. 4 is a rear isometric view of the laptop mount of FIG. 1.  
FIG. 5 is a top view of the laptop mount of FIG. 1.  
FIG. 6 is a front view of the laptop mount of FIG. 1.  
FIG. 7 is a bottom view of the laptop mount of FIG. 1; and, FIG. 8 is a top isometric view of the laptop mount of FIG. 1.  
The features shown in broken lines form no part of the claimed design.

**1 Claim, 8 Drawing Sheets**

- (56) **References Cited**  
U.S. PATENT DOCUMENTS
- 7,335,147 B2 2/2008 Jones et al.
- 7,946,542 B1 5/2011 Chapman
- D668,256 S \* 10/2012 Matteo ..... D14/447
- D672,782 S \* 12/2012 Gross ..... D14/447
- D680,547 S \* 4/2013 Williams ..... D14/447
- D704,195 S \* 5/2014 Marquette ..... D14/447
- 8,734,302 B2 5/2014 Hsieh
- D709,896 S \* 7/2014 McKinstry ..... D14/447
- D750,087 S \* 2/2016 Wu ..... D14/447



(56)

**References Cited**

U.S. PATENT DOCUMENTS

2006/0258513 A1 11/2006 Routley et al.

OTHER PUBLICATIONS

VIVO, "VIVO Single Monitor Desk Mount Stand and Laptop Tray Holder with Height Adjustable Deluxe Pneumatic Arm for 1 Screen up to 27 inches or Laptops/Notebooks 10 to 15 inches (Stand-V001BL)," retrieved from <https://www.amazon.com/VIVO-Monitor-Adjustable-Notebooks-STAND-V001BL/dp/B01A165MQE/>, on Oct. 22, 2019, 1 pages.

Tread Experience, "Treadmill Desk Workstation for Laptop iPad Tablet iPhone Standing Stand Board and Book Holder Great for Running Walking Working and Exercise Workout in Office and Home," retrieved from <https://www.amazon.com/Treadmill-Workstation-Standing-Running-Exercise/dp/B06XZD9WX2/>, on Oct. 22, 2019, 6 pages.

Walktop, "Walktop Treadmill Desk," retrieved from <https://www.amazon.com/Walktop-FF90015-Treadmill-Desk/dp/B00TKXLEI0/>, on Oct. 22, 2019, 8 pages.

Dr. McBabe's Fitness Products, "Treadmill Desk," retrieved from <https://www.amazon.com/Dr-McBabes-Fitness-Products-T1/dp/B01DJW0QRM/>, on Oct. 22, 2019, 7 pages.

Surfshelf, "SurfShelf Treadmill Desk: Laptop and iPad Holder," retrieved from <https://www.amazon.com/SurfShelf-Treadmill-Desk-Laptop-Holder/dp/B001M04RBK>, on Oct. 22, 2019, 7 pages.

\* cited by examiner

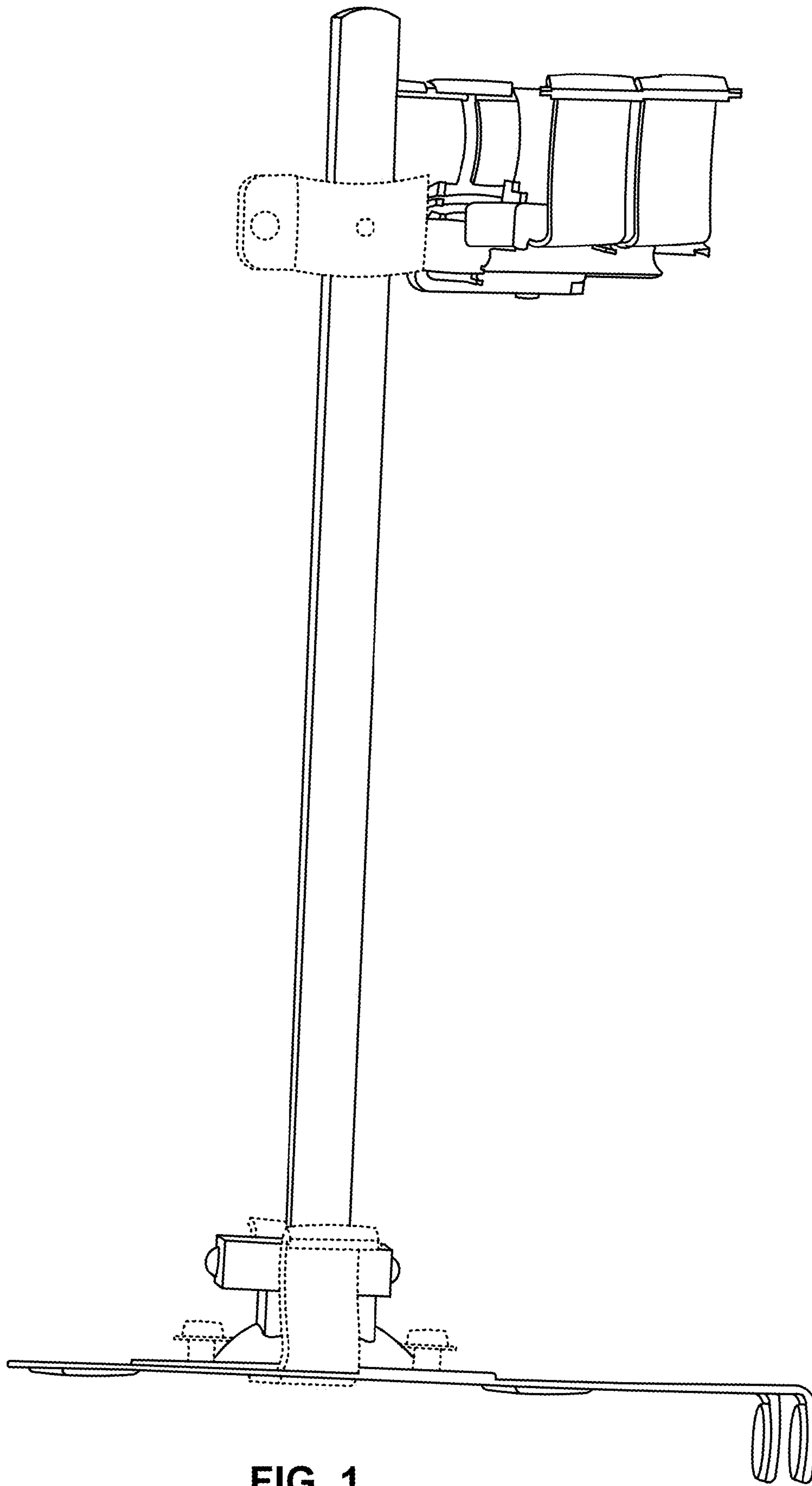


FIG. 1

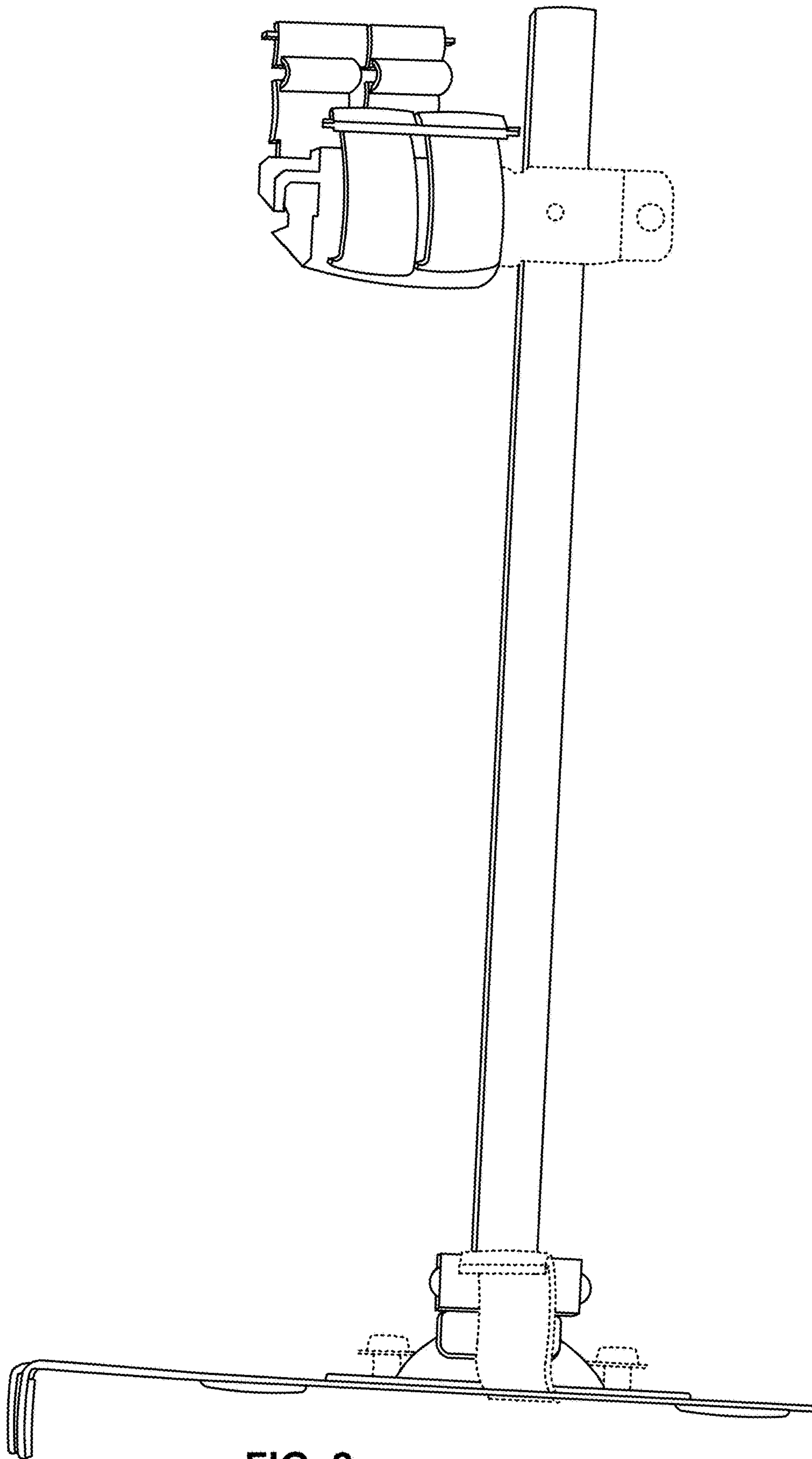


FIG. 2

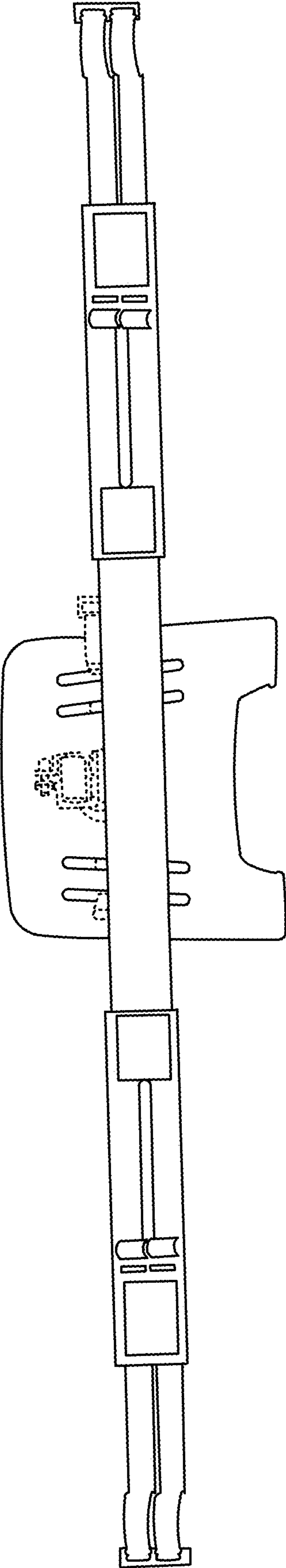


FIG. 3



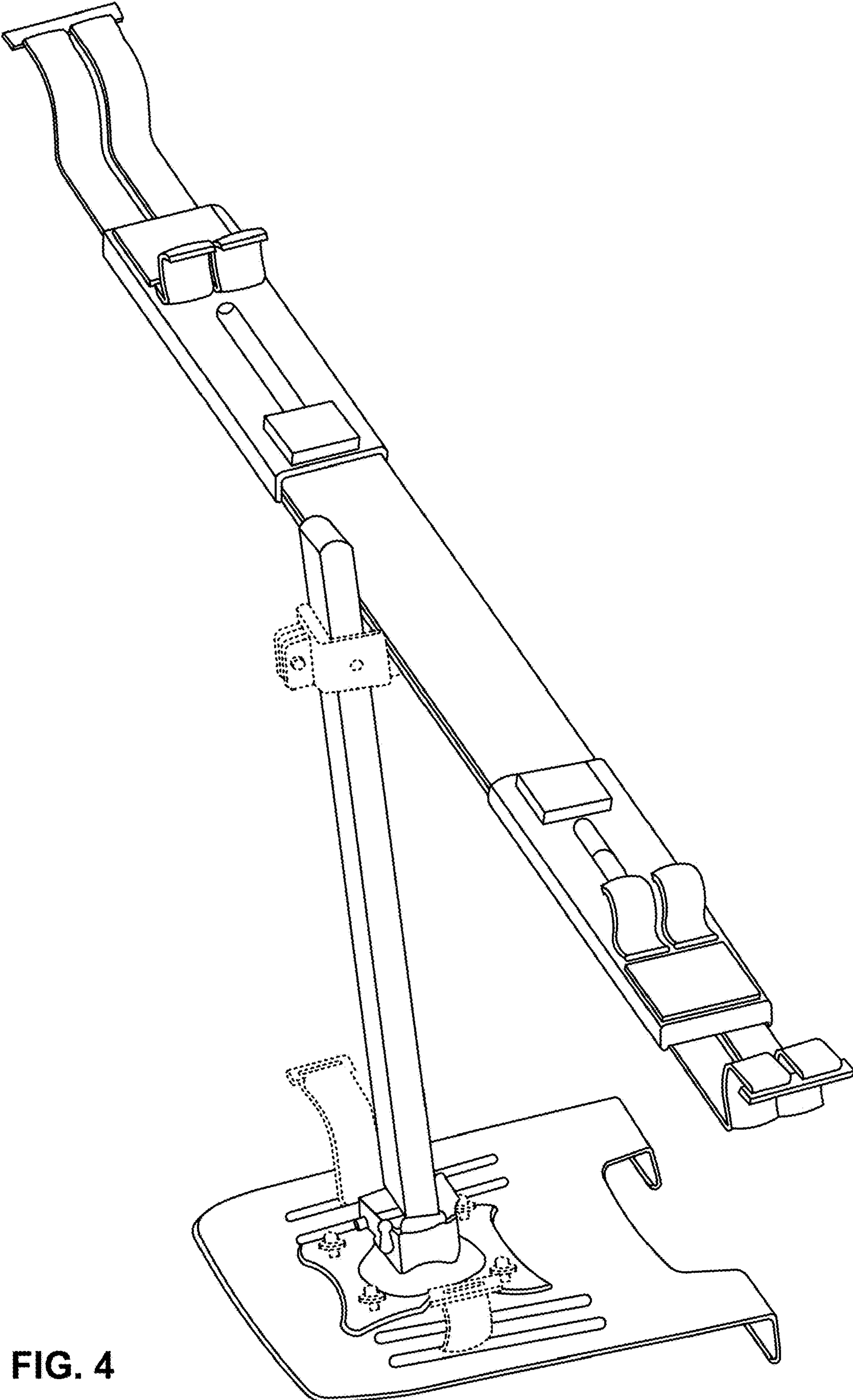


FIG. 4

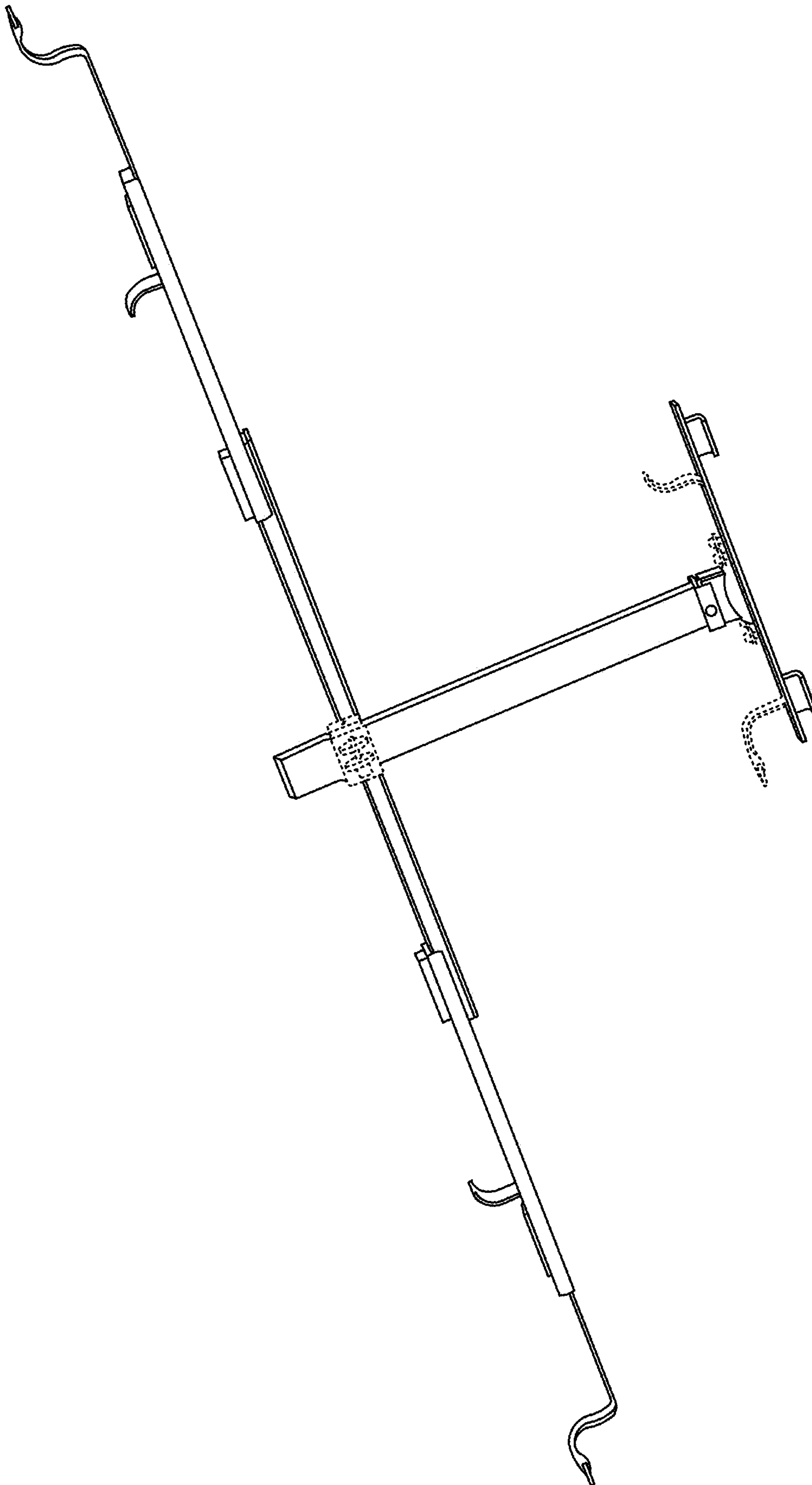


FIG. 5

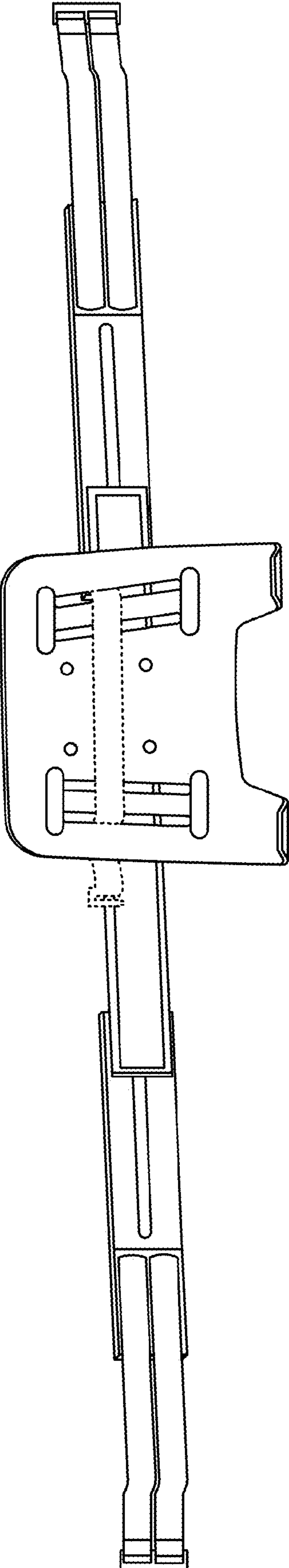


FIG. 6



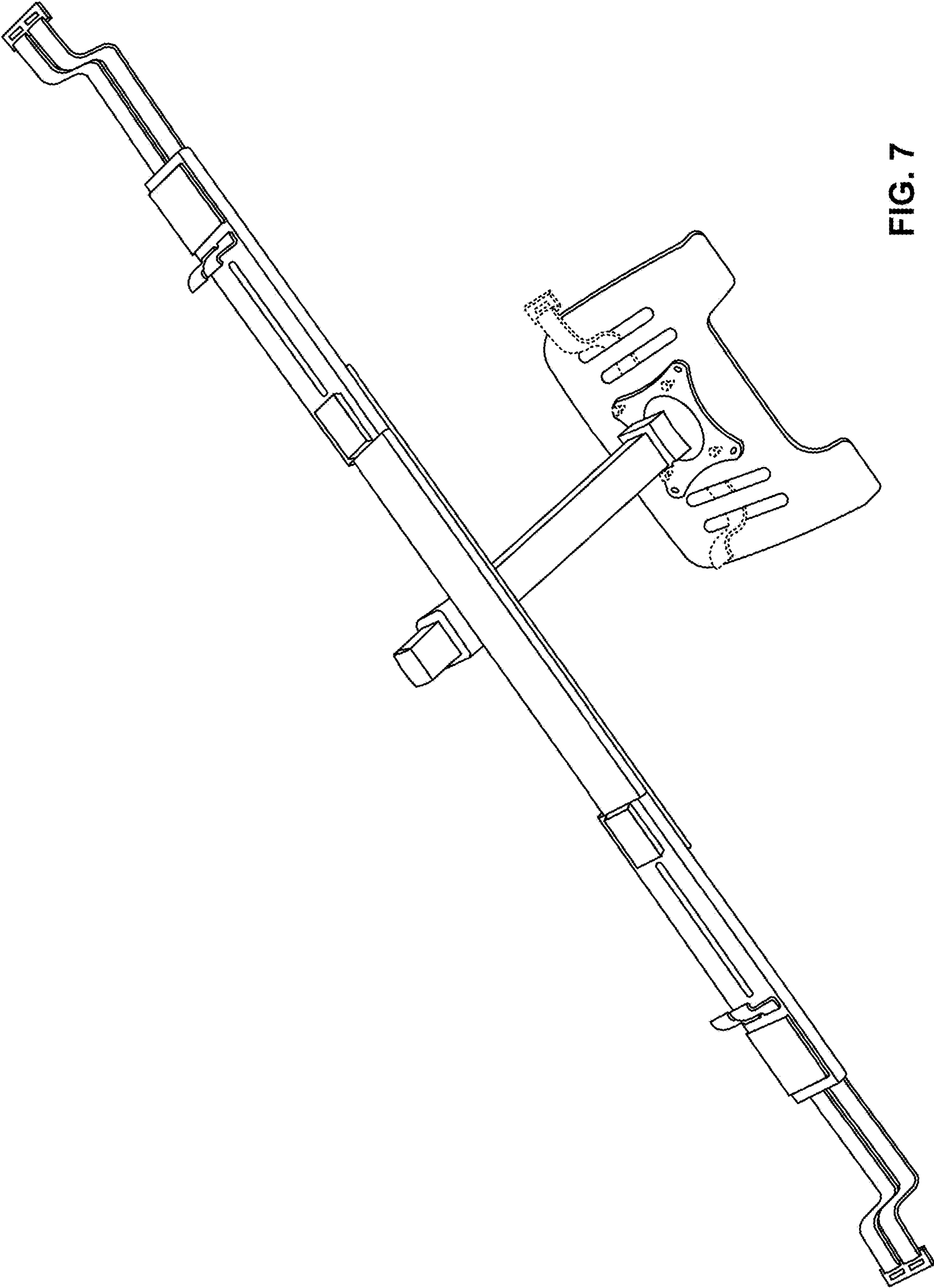


FIG. 7

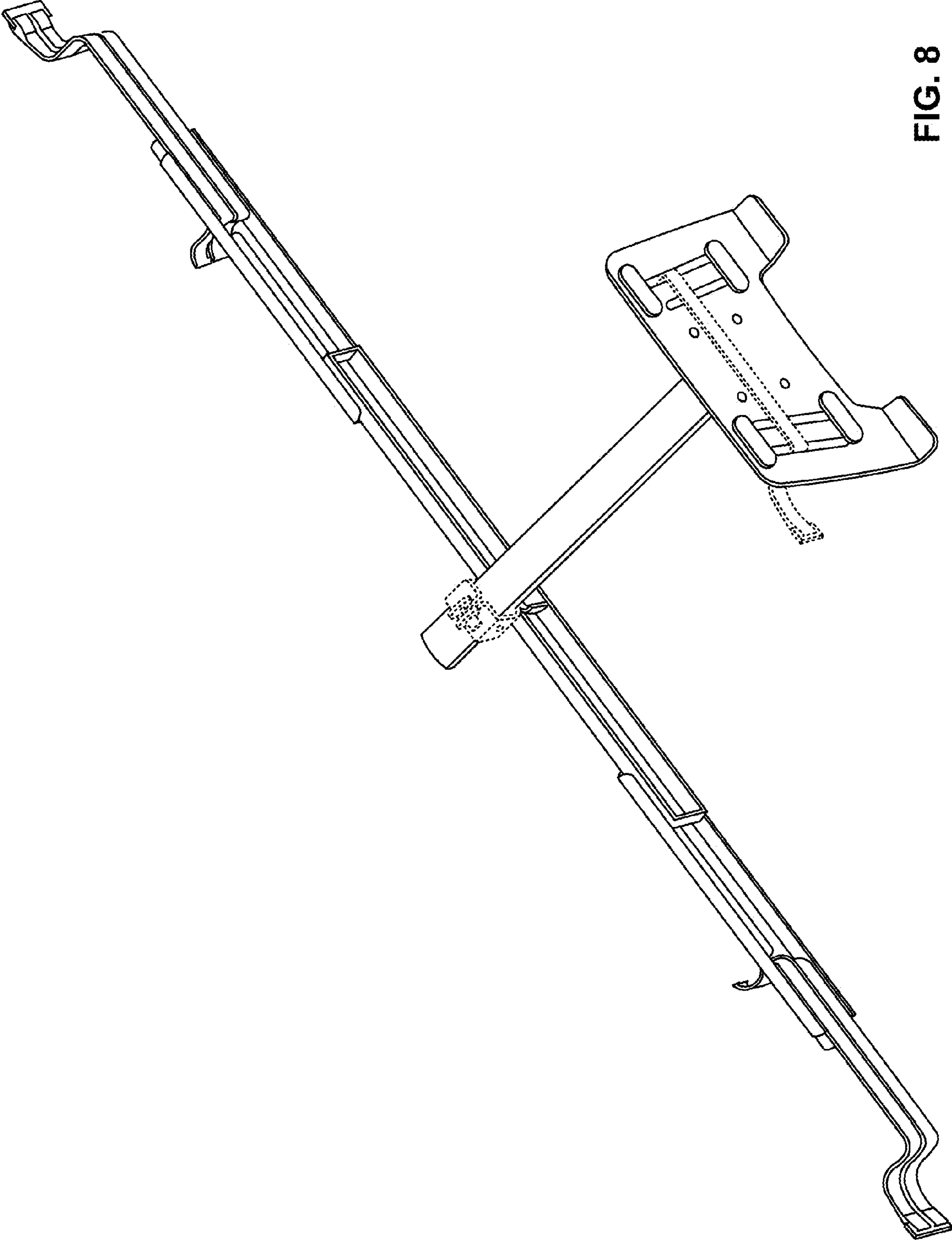


FIG. 8