



US00D901512S

(12) **United States Design Patent**  
**Chen**

(10) **Patent No.:** **US D901,512 S**

(45) **Date of Patent:** **\*\* Nov. 10, 2020**

(54) **PROTECTIVE CASE WITH STAND FOR  
TABLET COMPUTER**

(71) Applicant: **Dongguan YIHE Silicone & Rubber  
Technology Co., Ltd, Guangdong (CN)**

(72) Inventor: **Ling Chen, Guangdong (CN)**

(\*\*) Term: **15 Years**

(21) Appl. No.: **29/707,926**

(22) Filed: **Oct. 2, 2019**

(30) **Foreign Application Priority Data**

Apr. 3, 2019 (CN) ..... 2019 3 0149079

(51) **LOC (12) Cl.** ..... **14-02**

(52) **U.S. Cl.**  
USPC ..... **D14/440**

(58) **Field of Classification Search**  
USPC ..... D14/440, 447, 250; 206/45.23, 320,  
206/45.2; 361/679.55; 294/25; 224/218;  
455/575.8  
CPC ... G06F 1/1628; G06F 1/1626; A47B 23/044;  
H04B 1/3888; A45C 11/00  
See application file for complete search history.

(56) **References Cited**

**U.S. PATENT DOCUMENTS**

D696,256 S *	12/2013	Piedra	.....	D14/440
D696,669 S *	12/2013	Akana	.....	D14/440
D700,611 S *	3/2014	Boldetti	.....	D14/440
D719,169 S *	12/2014	McBroom	.....	D14/440
8,905,231 B2 *	12/2014	Couch, III	.....	A45C 13/02 206/320
D723,568 S *	3/2015	Kim	.....	D14/440
D724,090 S *	3/2015	Kim	.....	D14/440
D724,092 S *	3/2015	Zangari	.....	D14/440
D727,916 S *	4/2015	Melmon	.....	D14/440

D727,919 S *	4/2015	Melmon	.....	D14/440
D729,253 S *	5/2015	Nyholm	.....	D14/440
D733,152 S *	6/2015	Sirichai	.....	D14/440
D734,340 S *	7/2015	Kim	.....	D14/440
9,095,194 B2 *	8/2015	Hassett	.....	A45C 11/00
D744,489 S *	12/2015	Sirichai	.....	D14/440
D744,492 S *	12/2015	Lin	.....	G06F 1/1632 D14/440
9,307,062 B2 *	4/2016	Kim	.....	F16M 13/00
D764,472 S *	8/2016	Corcoran	.....	D14/440
D819,038 S *	5/2018	Diebel	.....	D14/440
D822,675 S *	7/2018	Zhu	.....	D14/455
D832,270 S *	10/2018	Cheng	.....	D14/440
D832,271 S *	10/2018	Cheng	.....	A45C 11/00 D14/440
D837,219 S *	1/2019	Gao	.....	D14/440
D845,305 S *	4/2019	Xu	.....	D14/440
D846,550 S *	4/2019	Feng	.....	D14/440
D846,551 S *	4/2019	Feng	.....	D14/440
D846,552 S *	4/2019	Feng	.....	D14/440

(Continued)

*Primary Examiner* — Cynthia R Underwood

(74) *Attorney, Agent, or Firm* — Prakash Nama; Global IP Services, PLLC

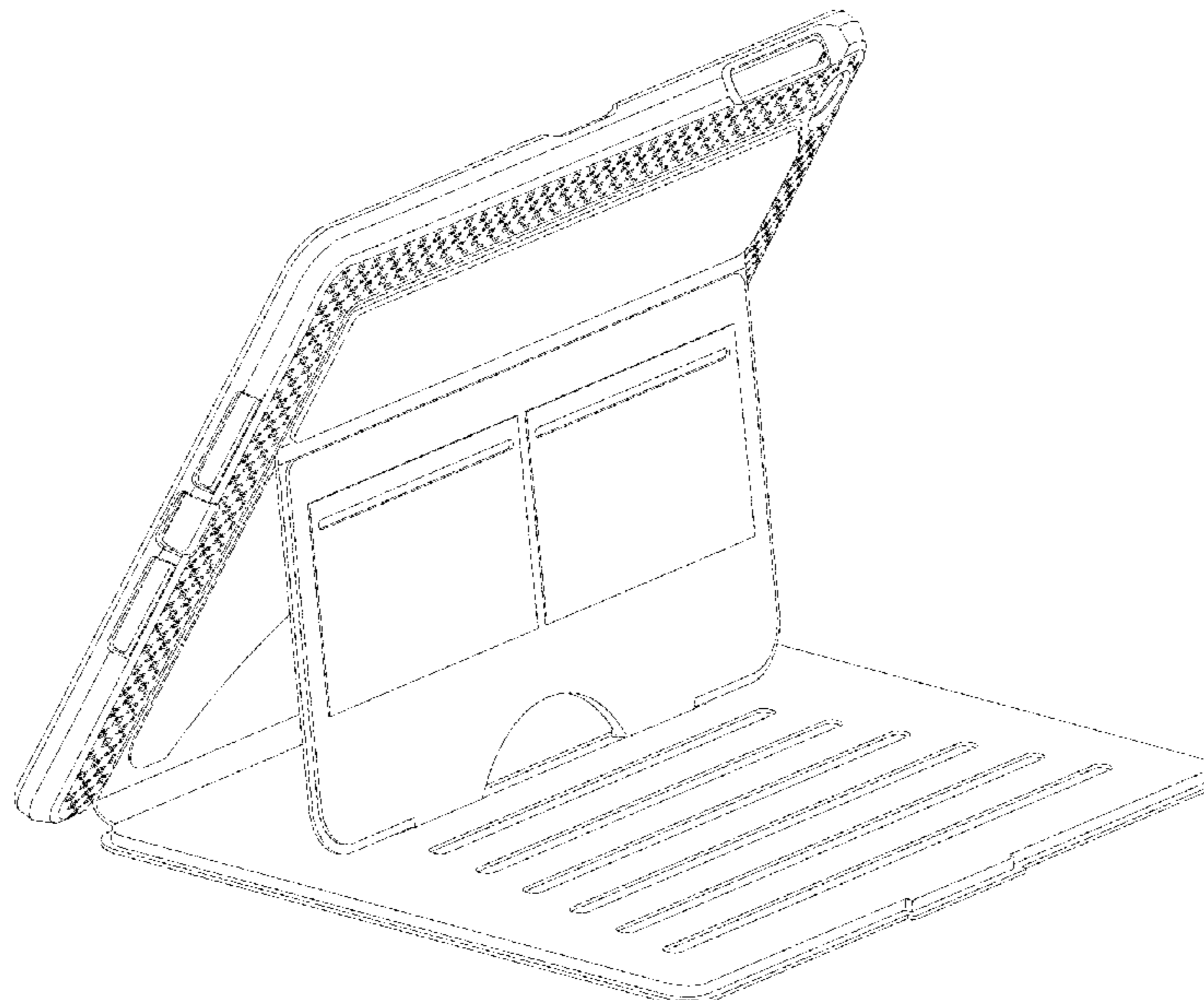
(57) **CLAIM**

The ornamental design for a protective case with stand for tablet computer, as shown and described.

**DESCRIPTION**

FIG. 1 is a front elevational view of a protective case with stand for tablet computer showing my new design; FIG. 2 is a rear elevational view thereof; FIG. 3 is a left side view thereof; FIG. 4 is a right side view thereof; FIG. 5 is a top plan view thereof; FIG. 6 is a bottom plan view thereof; FIG. 7 is a perspective view thereof; FIG. 8 is another perspective view thereof; and, FIG. 9 is a perspective view in an open state of use.

**1 Claim, 8 Drawing Sheets**



(56)

References Cited

U.S. PATENT DOCUMENTS

D846,553	S *	4/2019	Feng	.....	D14/440
D848,409	S *	5/2019	Feng	.....	D14/250
10,389,398	B1 *	8/2019	Garcia	.....	A45C 13/005
D868,072	S *	11/2019	Lei	.....	D14/440
D868,788	S *	12/2019	Weng	.....	D14/440
D881,895	S *	4/2020	Liu	.....	D14/440
D883,989	S *	5/2020	Cheng	.....	D14/440
2007/0057140	A1 *	3/2007	Liou	.....	F16M 11/10 248/456
2008/0029412	A1 *	2/2008	Ho	.....	F16M 11/2014 206/320
2009/0159763	A1 *	6/2009	Kim	.....	F16M 11/22 248/174
2009/0178938	A1 *	7/2009	Palmer	.....	A45C 5/03 206/45.23
2009/0194209	A1 *	8/2009	De Filippis	.....	A45C 11/00 150/107
2011/0227463	A1 *	9/2011	Hou	.....	A47B 23/043 312/223.1
2011/0266194	A1 *	11/2011	Bau	.....	H04B 1/3888 206/736
2011/0290687	A1 *	12/2011	Han	.....	A45C 13/002 206/320
2011/0297566	A1 *	12/2011	Gallagher	.....	F16M 11/2021 206/320
2012/0044638	A1 *	2/2012	Mongan	.....	A45C 11/00 361/679.55
2013/0140194	A1 *	6/2013	Han	.....	G06F 1/1656 206/45.23
2013/0233762	A1 *	9/2013	Balaji	.....	B29C 65/7802 206/736

\* cited by examiner

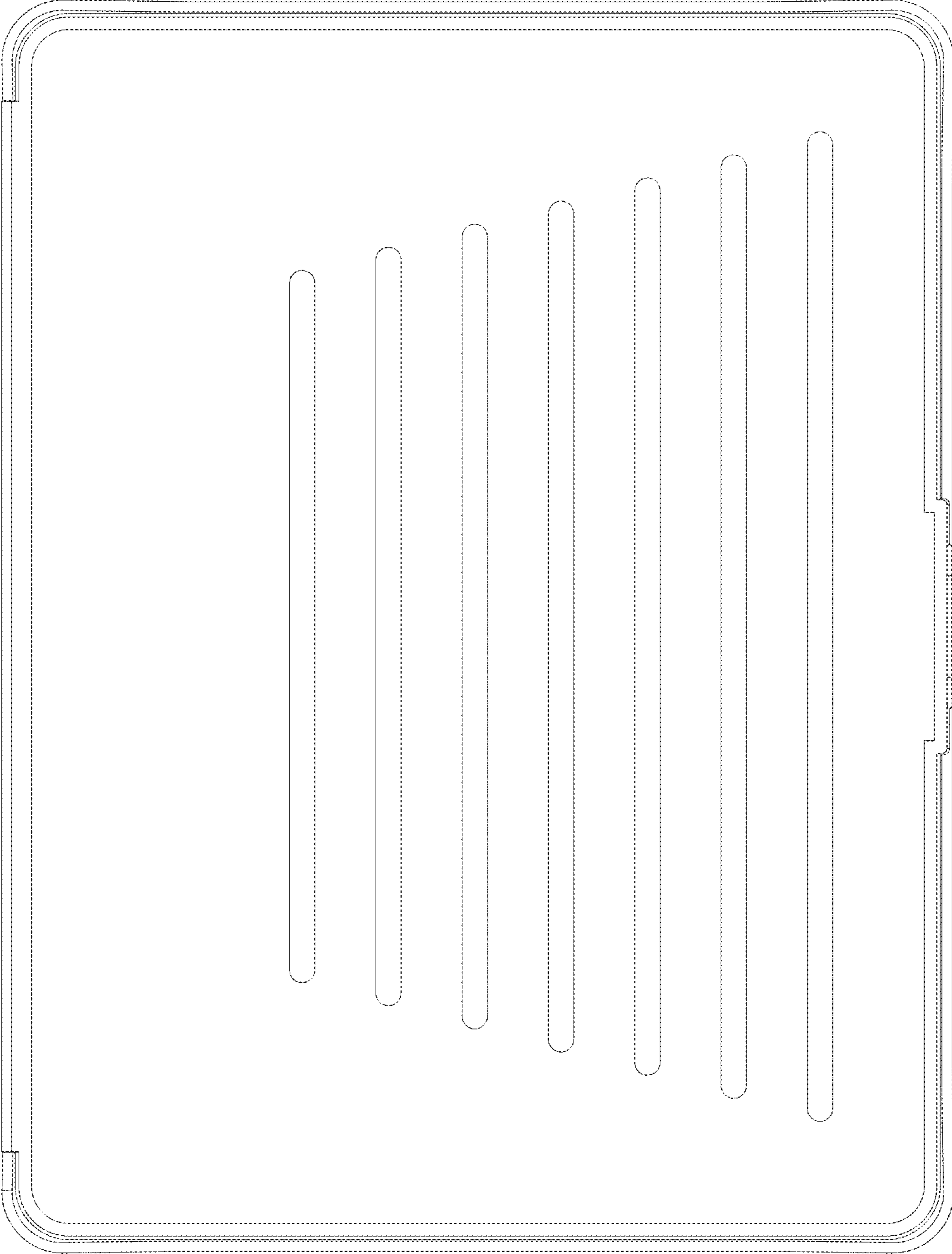


Fig. 1

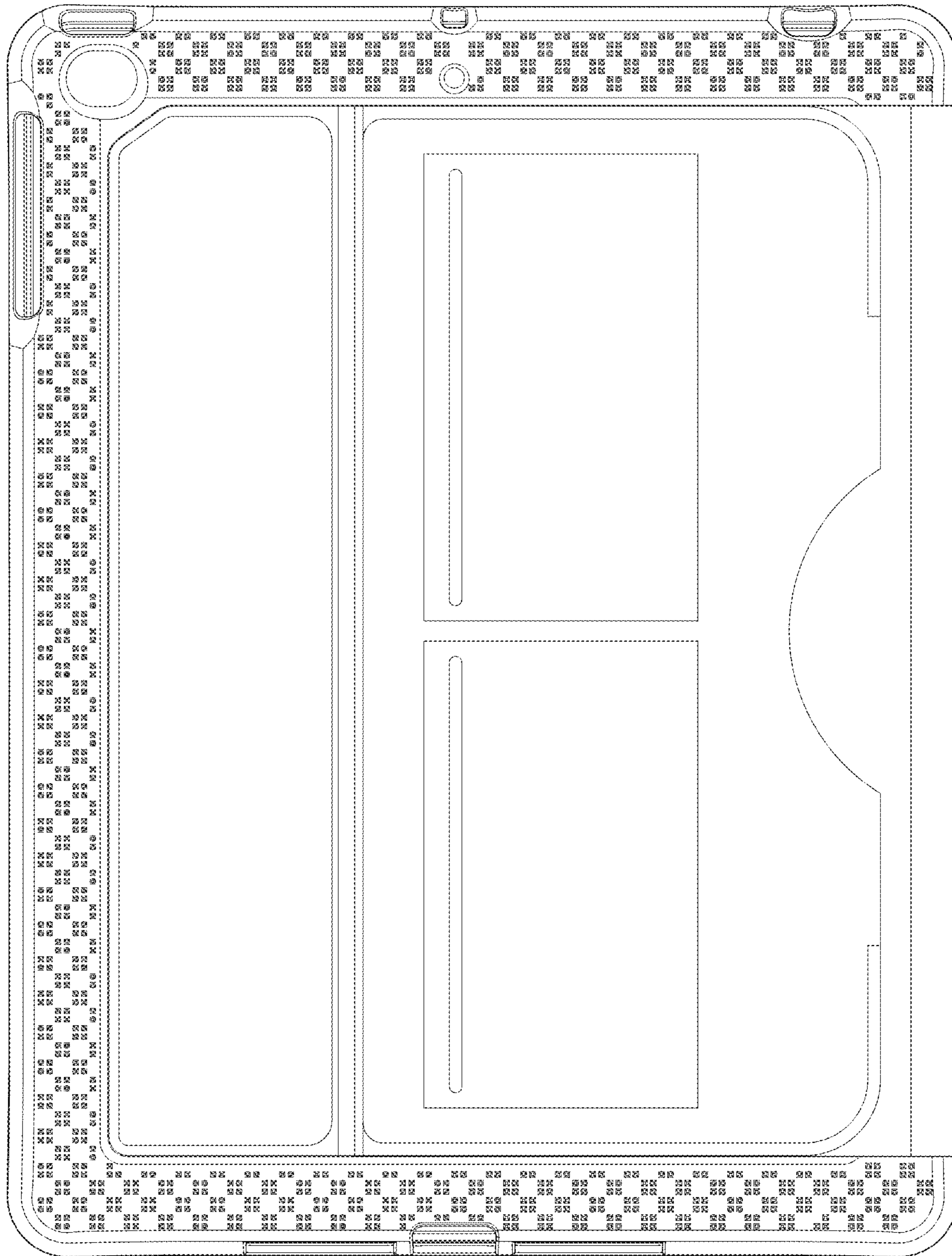


Fig. 2

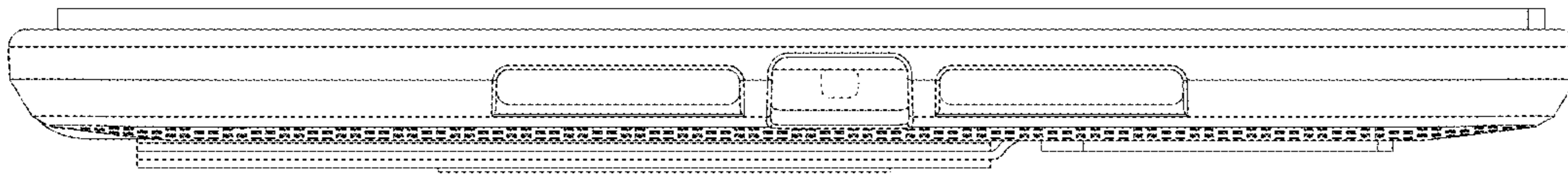


Fig. 3

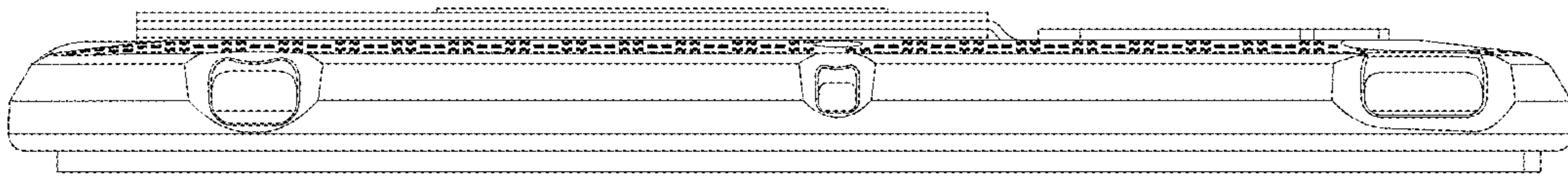


Fig. 4

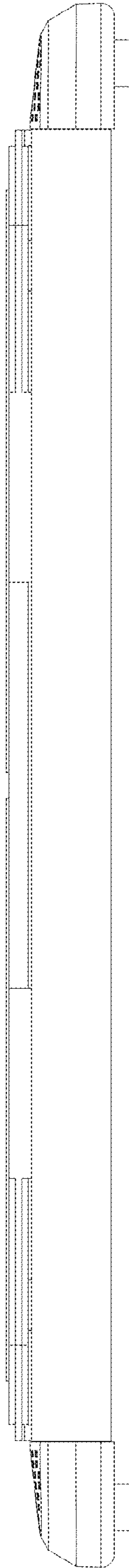


Fig. 5

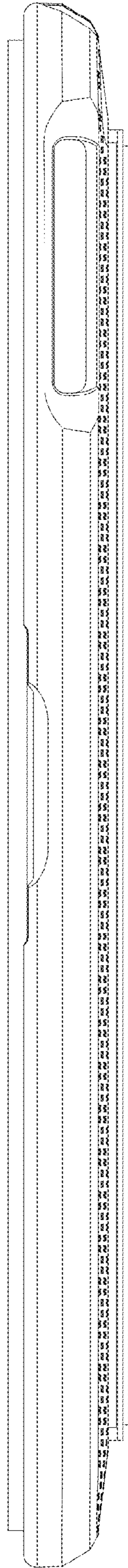


Fig. 6

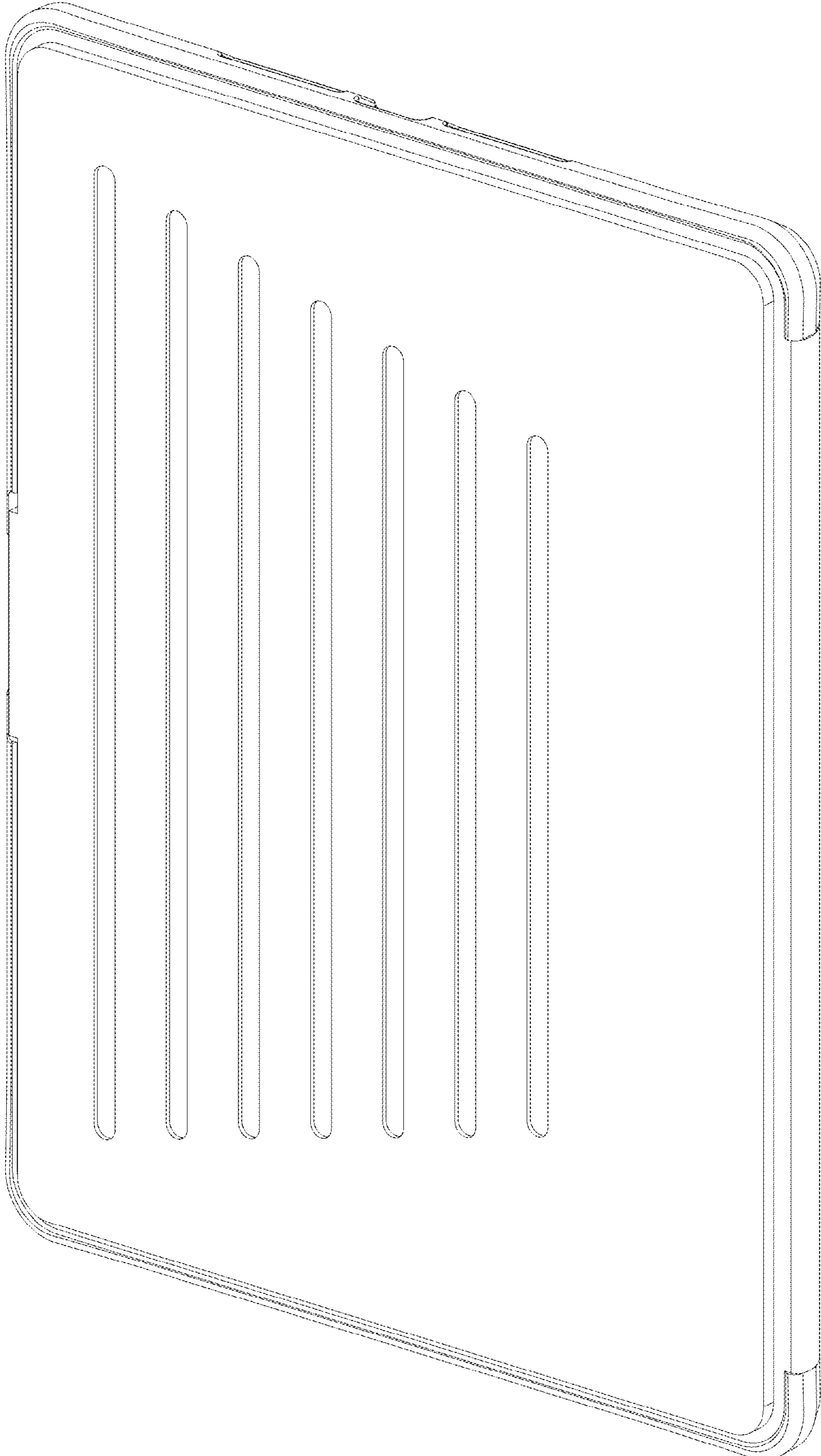


Fig. 7



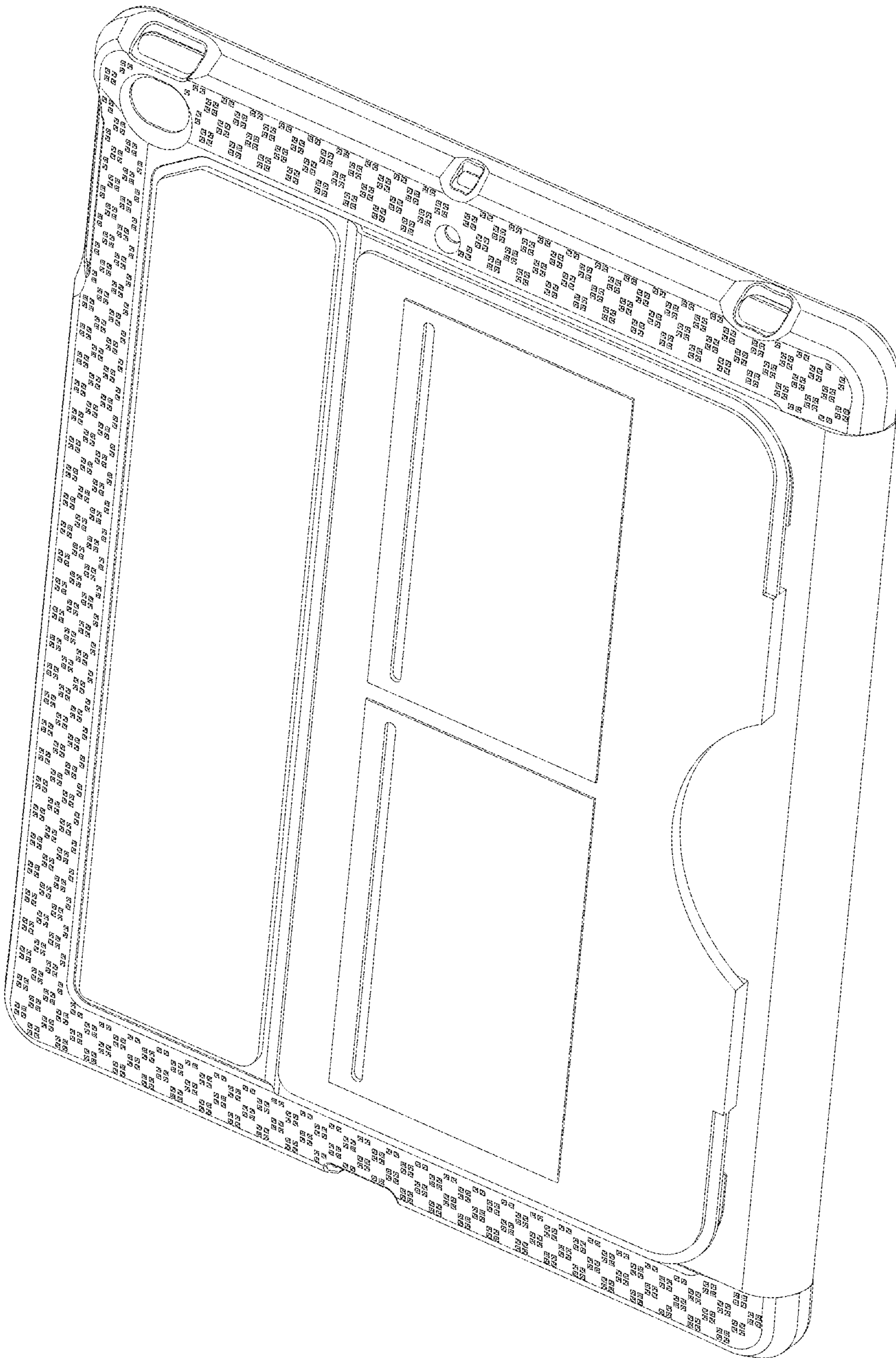


Fig. 8

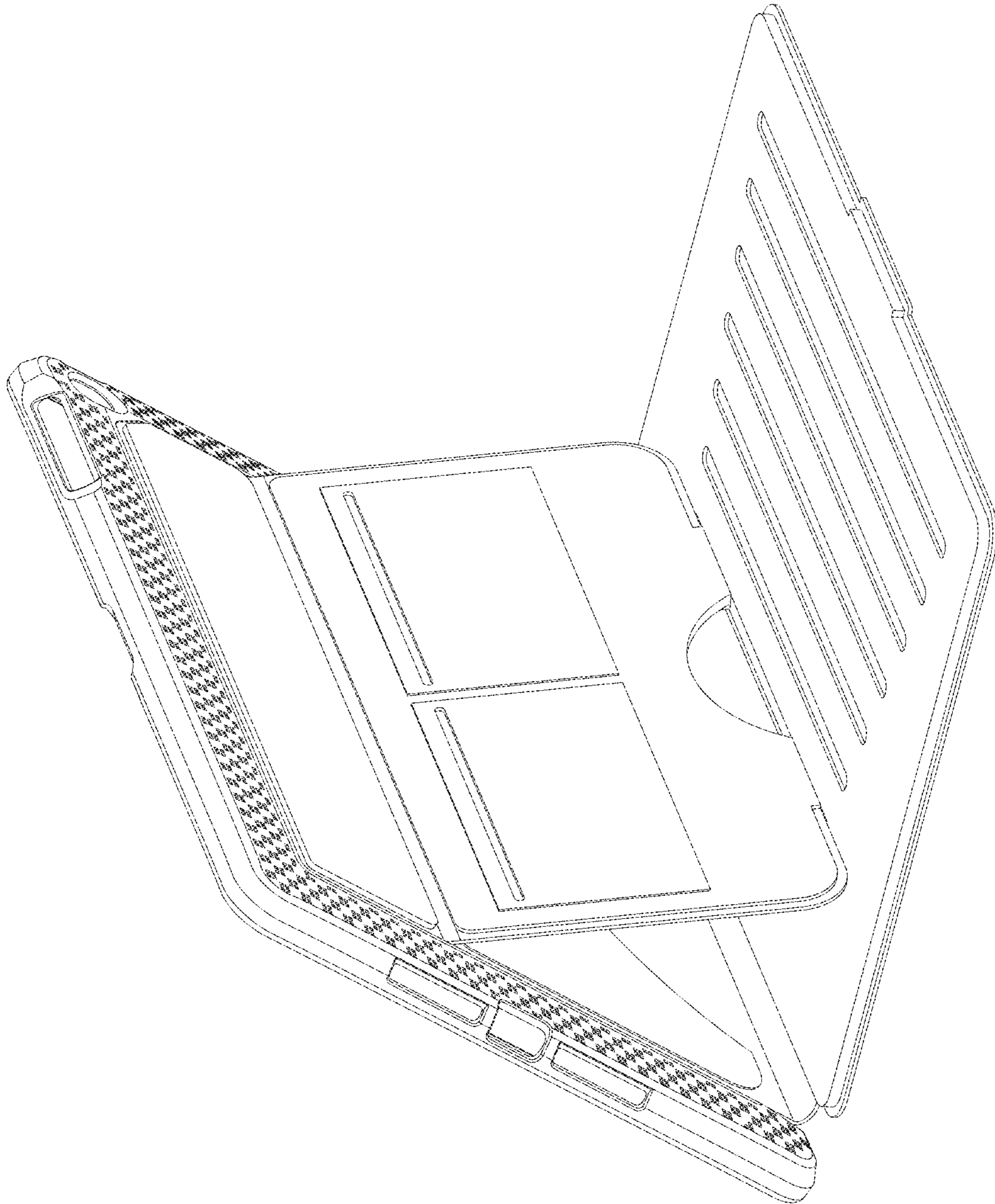


Fig. 9