



US00D901511S

(12) **United States Design Patent** (10) **Patent No.:** **US D901,511 S**  
**Chen et al.** (45) **Date of Patent:** **\*\* Nov. 10, 2020**

(54) **COMPUTER HARDWARE FACEPLATE**  
(71) Applicant: **Nutanix, Inc.**, San Jose, CA (US)  
(72) Inventors: **Ken Chen**, San Francisco, CA (US);  
**John Torres**, San Jose, CA (US);  
**Melina McLarty**, Aptos, CA (US)  
(73) Assignee: **Nutanix, Inc.**, San Jose, CA (US)  
(\*\*) Term: **15 Years**  
(21) Appl. No.: **29/668,647**  
(22) Filed: **Oct. 31, 2018**  
(51) **LOC (12) Cl.** ..... **14-02**  
(52) **U.S. Cl.**  
USPC ..... **D14/440; D14/444**  
(58) **Field of Classification Search**  
USPC .... D14/440, 447, 250, 441, 444; 206/45.23,  
206/320, 45.2; 361/679.55; 294/25;  
224/218  
CPC ..... G06F 1/1628; G06F 1/1626; G06F 1/669;  
A47B 23/044; H04B 1/3888  
See application file for complete search history.

(56) **References Cited**

**U.S. PATENT DOCUMENTS**

6,452,597 B1 \* 9/2002 Goldberg ..... G09G 5/00  
340/7.55  
D553,120 S \* 10/2007 Yano ..... D13/110  
D687,010 S \* 7/2013 McManigal ..... D14/188  
8,549,518 B1 10/2013 Aron et al.  
8,601,473 B1 12/2013 Aron et al.  
8,850,130 B1 9/2014 Aron et al.  
D752,591 S \* 3/2016 Ozolins ..... D14/434  
D791,774 S \* 7/2017 Wilcox ..... D14/444  
9,772,866 B1 9/2017 Aron et al.  
D815,101 S \* 4/2018 Gothmann ..... D14/444

D815,102 S \* 4/2018 Gothmann ..... D14/444  
D815,103 S \* 4/2018 Gothmann ..... D14/444  
D817,963 S \* 5/2018 Ravat ..... D14/444  
D851,067 S \* 6/2019 McManigal ..... D14/210  
D854,516 S \* 7/2019 Usuru ..... D14/214  
D893,455 S \* 8/2020 Winton ..... D14/212  
D894,149 S \* 8/2020 Li ..... D14/172  
10,754,103 B2 \* 8/2020 Leigh ..... G02B 6/3825  
2017/0229890 A1 \* 8/2017 Lu ..... H02J 7/0042

**OTHER PUBLICATIONS**

Poitras, Steven. "The Nutanix Bible" (Oct. 15, 2013), from <http://stevenpoitras.com/the-nutanix-bible/> (Publication date based on indicated capture date by Archive.org; first publication date unknown).  
Poitras, Steven. "The Nutanix Bible" (Jan. 11, 2014), from <http://stevenpoitras.com/the-nutanix-bible/> (Publication date based on indicated capture date by Archive.org; first publication date unknown).

(Continued)

*Primary Examiner* — Cynthia R Underwood  
(74) *Attorney, Agent, or Firm* — Vista IP Law Group, LLP

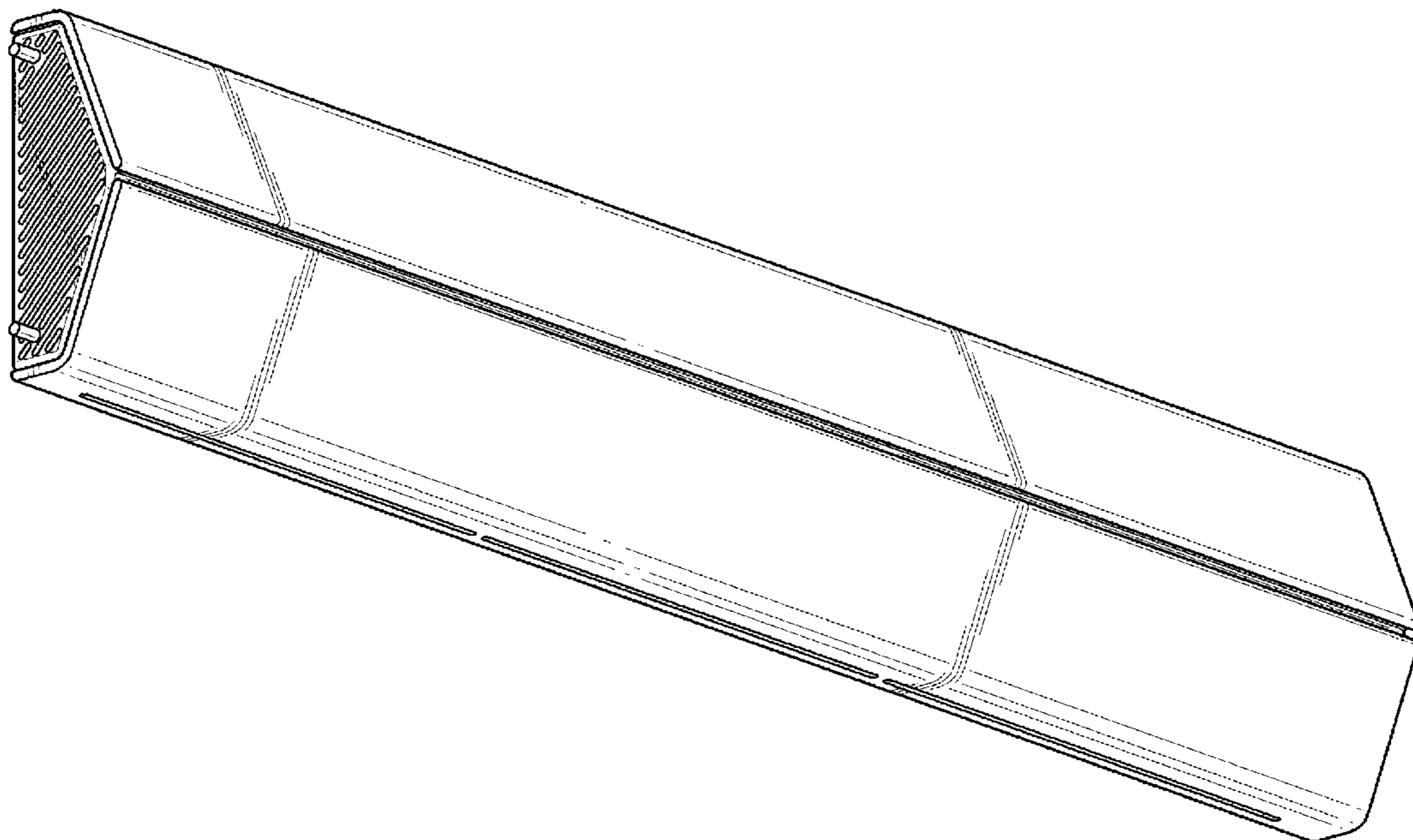
(57) **CLAIM**

We claim the ornamental design for a computer hardware faceplate, as shown and described.

**DESCRIPTION**

FIG. 1 is a front top perspective view of a computer hardware faceplate;  
FIG. 2 is a front view thereof;  
FIG. 3 is a right side view, the left side view (not shown) is a mirror image thereof;  
FIG. 4 is a right end view, the left end view (not shown) is a mirror image thereof; and,  
FIG. 5 is a rear view thereof.

**1 Claim, 3 Drawing Sheets**



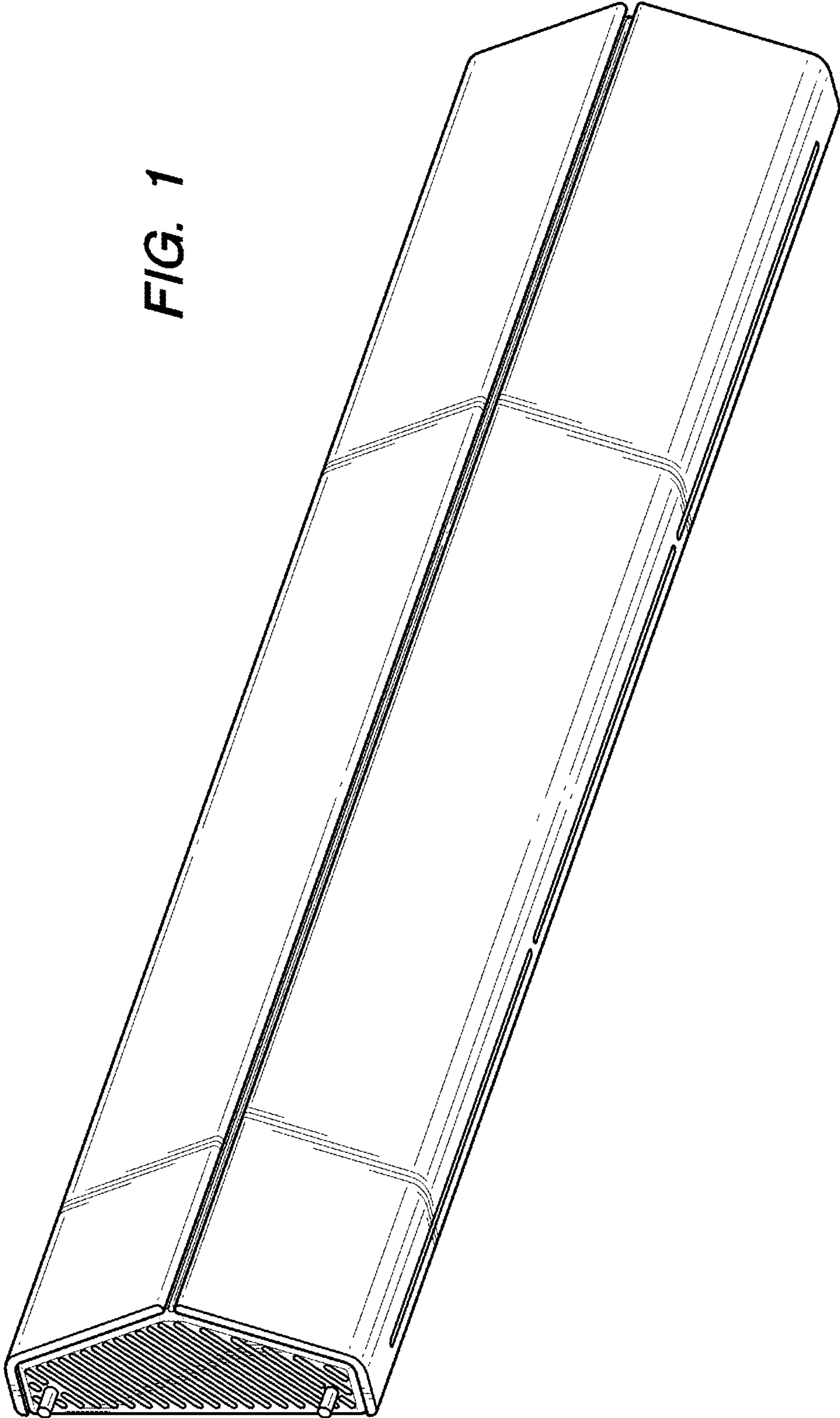
(56)

**References Cited**

## OTHER PUBLICATIONS

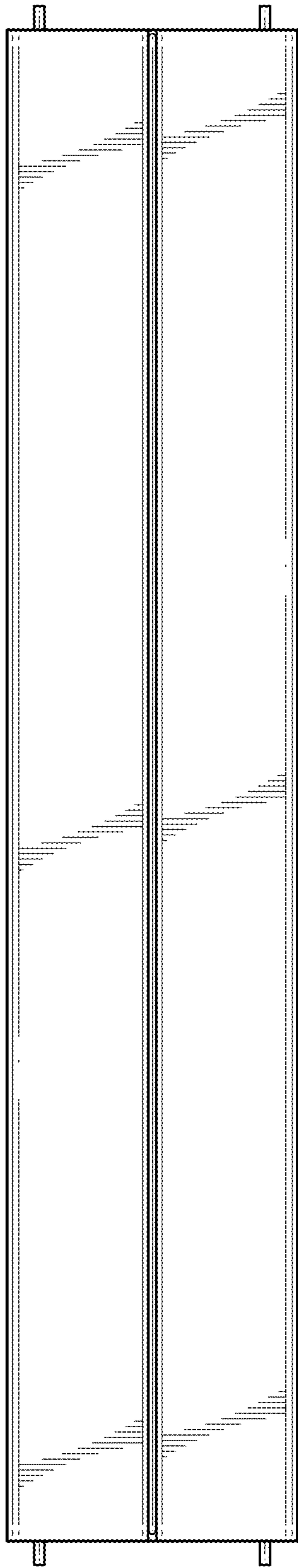
- Poitras, Steven. "The Nutanix Bible" (Jun. 20, 2014), from <http://stevenpoitras.com/the-nutanix-bible/> (Publication date based on indicated capture date by Archive.org; first publication date unknown).
- Poitras, Steven. "The Nutanix Bible" (Jan. 7, 2015), from <http://stevenpoitras.com/the-nutanix-bible/> (Publication date based on indicated capture date by Archive.org; first publication date unknown).
- Poitras, Steven. "The Nutanix Bible" (Jun. 9, 2015), from <http://stevenpoitras.com/the-nutanix-bible/> (Publication date based on indicated capture date by Archive.org; first publication date unknown).
- Poitras, Steven. "The Nutanix Bible" (Sep. 4, 2015), from <https://nutanixbible.com/>.
- Poitras, Steven. "The Nutanix Bible" (Jan. 12, 2016), from <https://nutanixbible.com/>.
- Poitras, Steven. "The Nutanix Bible" (Jun. 9, 2016), from <https://nutanixbible.com/>.
- Poitras, Steven. "The Nutanix Bible" (Jan. 3, 2017), from <https://nutanixbible.com/>.
- Poitras, Steven. "The Nutanix Bible" (Jun. 8, 2017), from <https://nutanixbible.com/>.
- Poitras, Steven. "The Nutanix Bible" (Jan. 3, 2018), from <https://nutanixbible.com/>.
- Poitras, Steven. "The Nutanix Bible" (Jun. 25, 2018), from <https://nutanixbible.com/>.
- Cano, I. et al., "Curator: Self-Managing Storage for Enterprise Clusters", *14th USENIX Symposium on Networked Systems Design and Implementation, NSDI '17*, (Mar. 27, 2017).

\* cited by examiner

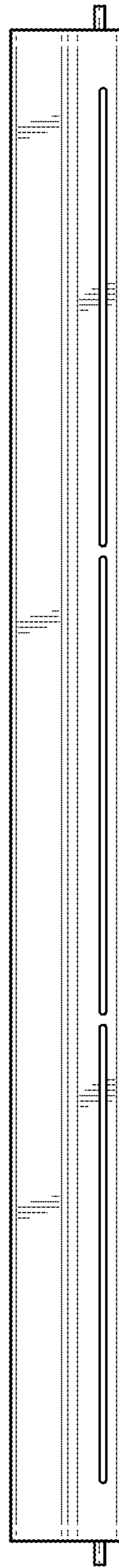


**FIG. 1**

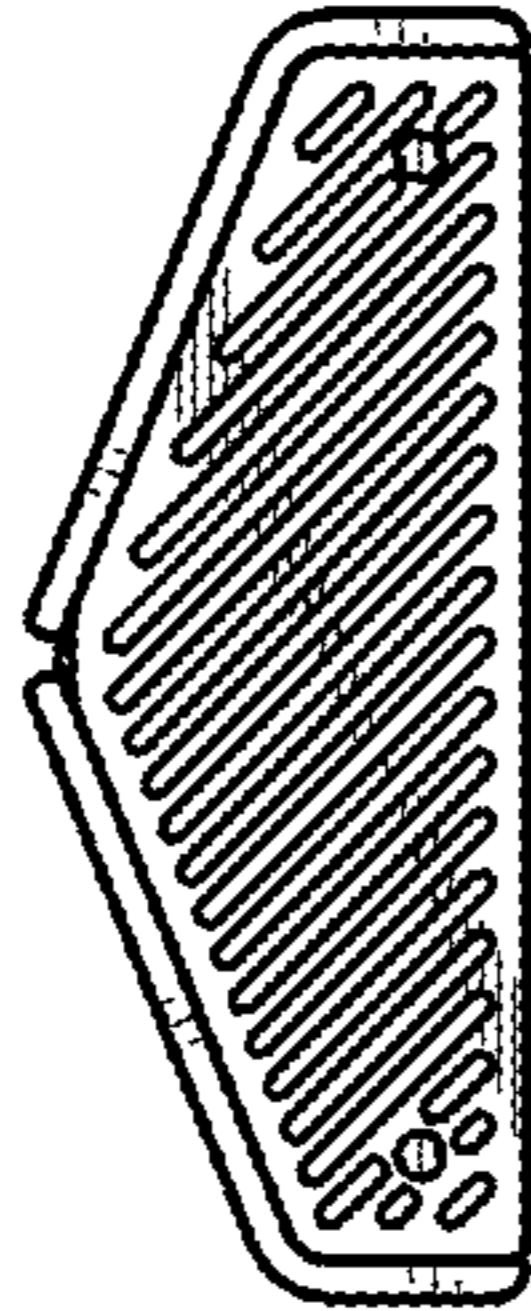
**FIG. 2**



**FIG. 3**



**FIG. 4**



**FIG. 5**

