



US00D901503S

(12) **United States Design Patent** (10) **Patent No.:** **US D901,503 S**
Lee et al. (45) **Date of Patent:** **** Nov. 10, 2020**

(54) **KEYBOARD**

(71) Applicant: **Kingston Digital, Inc.**, Fountain Valley, CA (US)

(72) Inventors: **Baron King Lee**, Fountain Valley, CA (US); **Albert Jin**, Fountain Valley, CA (US); **Guan Hua Tzeng**, Hsinchu (TW); **Jian Cheng Lai**, Hsinchu (TW)

(73) Assignee: **Kingston Digital, Inc.**, Fountain Valley, CA (US)

(**) Term: **15 Years**

(21) Appl. No.: **29/643,806**

(22) Filed: **Apr. 11, 2018**

(51) **LOC (12) Cl.** **14-02**

(52) **U.S. Cl.**

USPC **D14/391**

(58) **Field of Classification Search**

USPC D14/315–327, 391–399, 455–457, 247, D14/346, 203.4, 203.6, 345, 477, 507,
(Continued)

(56) **References Cited**

U.S. PATENT DOCUMENTS

D275,755 S * 10/1984 Cottrill D14/457
D280,408 S * 9/1985 Kuba D14/396
(Continued)

FOREIGN PATENT DOCUMENTS

CN 304305951 * 10/2017
CN 304340649 * 11/2017
(Continued)

OTHER PUBLICATIONS

Alloy Core RGB Membrane Gaming Keyboard, HyperX, hyperxgaming.com, author not listed, published on Jan. 6, 2019 per wayback

machine © 2019 Kingston Technology Corporation, online, site visited Oct. 30, 2019. Available at URL: <https://www.hyperxgaming.com/us/keyboards/alloy-core-rgb-membrane-gam...> (Year: 2019).*

(Continued)

Primary Examiner — Marissa J Cash
Assistant Examiner — Altaira J Swangin

(74) *Attorney, Agent, or Firm* — Skaar Ulbrich Macari, P.A.

(57) **CLAIM**

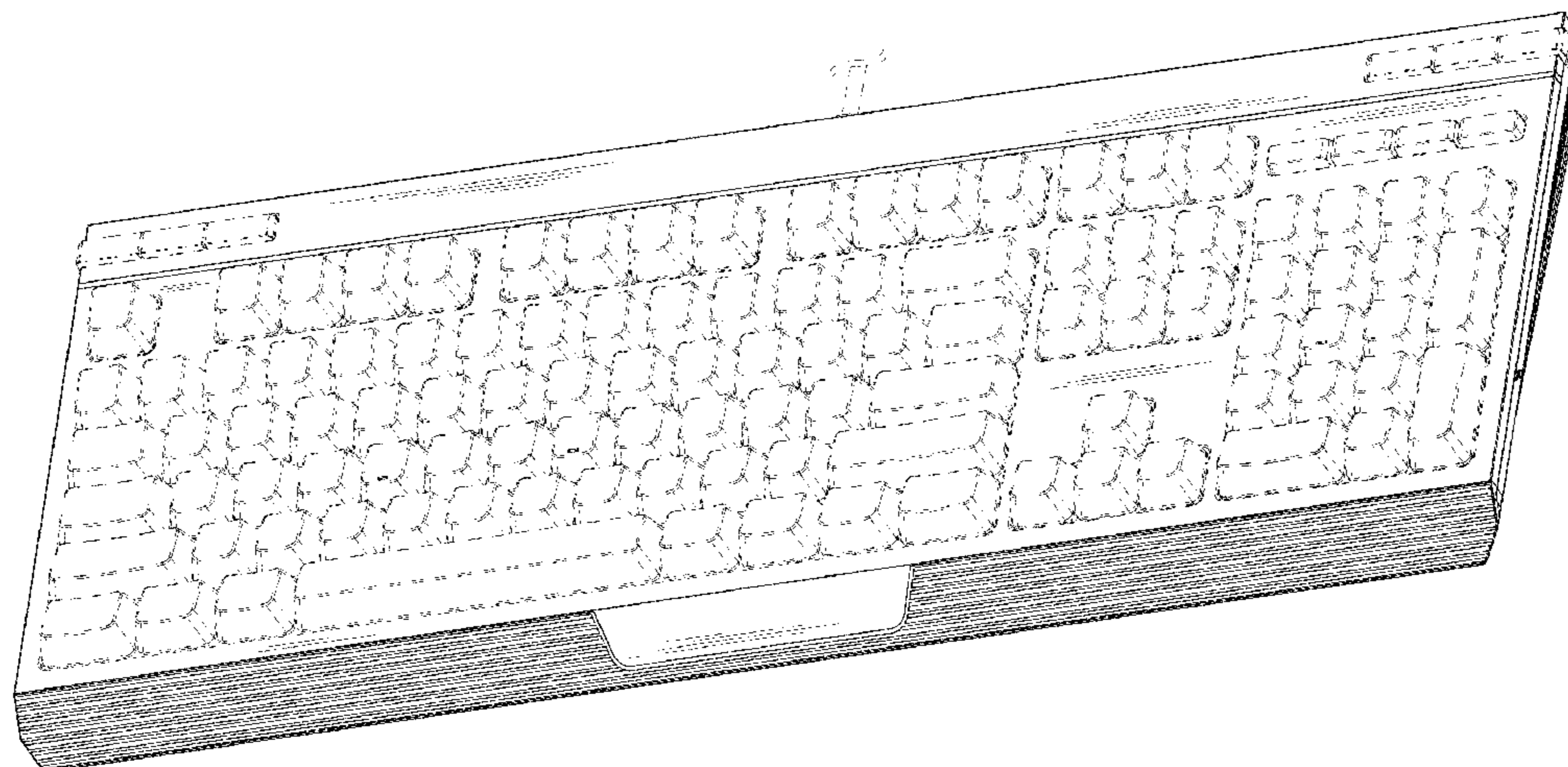
The ornamental design for a keyboard, as shown and described.

DESCRIPTION

FIG. 1 is a front bottom right perspective view of a keyboard showing the claimed design;
FIG. 2 is a top right perspective view of FIG. 1;
FIG. 3 is a bottom right perspective view of FIG. 1;
FIG. 4 is a rear right perspective view of FIG. 1;
FIG. 5 is a front elevational view of FIG. 1;
FIG. 6 is a rear elevational view of FIG. 1;
FIG. 7 is a left side elevational view of FIG. 1;
FIG. 8 is a right side elevational view of FIG. 1;
FIG. 9 is a top plan view of FIG. 1;
FIG. 10 is a bottom plan view of FIG. 1;
FIG. 11 is a partial enlarged view according to a “circle area 11” of FIG. 2;
FIG. 12 is a partial enlarged view according to a “circle area 12” of FIG. 3; and,
FIG. 13 is a partial enlarged view according to a “circle area 13” of FIG. 12.

The dashed broken lines in the figures represent portions of the article which form no part of the claimed design.
The dot-dash lines in the figures represent the boundary of the enlarged areas which form no part of the claimed design.

1 Claim, 11 Drawing Sheets



(58) **Field of Classification Search**

USPC D14/509; D18/1-2, 4.1-4.6, 7, 11;
 235/145 A, 145 R; 341/22-23; 345/104,
 345/156, 168-169, 173; 361/679.08,
 361/679.09, 679.11, 679.26, 679.27;
 708/142, 146; D17/1, 5, 7
 CPC B41J 5/00; B41J 5/10; B41J 5/12; F16M
 11/10; G06F 3/0219; G06F 3/02
 See application file for complete search history.

(56) **References Cited**

U.S. PATENT DOCUMENTS

D281,689 S * 12/1985 Peroni D14/392
 D285,305 S * 8/1986 Liuzzo D14/396
 D299,495 S * 1/1989 Dickie D14/396
 D311,904 S * 11/1990 Solomon D14/396
 D320,597 S * 10/1991 Lacount D14/396
 D325,199 S * 4/1992 Gowda D14/396
 5,144,567 A * 9/1992 Oelsch G06F 3/0238
 341/22
 D342,086 S * 12/1993 Jaeb D17/1
 D370,903 S * 6/1996 Lin D14/396
 D439,902 S * 4/2001 Oba D14/392
 6,439,785 B1 * 8/2002 Liu G06F 3/0224
 341/22
 D462,682 S * 9/2002 Andres D14/396
 D480,398 S * 10/2003 Lee D14/391
 D482,036 S * 11/2003 Goto D14/392
 D516,558 S * 3/2006 Neal D14/396
 D521,514 S * 5/2006 Neal D14/396
 D522,514 S * 6/2006 Norman D14/397
 D556,200 S * 11/2007 Su D14/391
 D566,117 S * 4/2008 Cheng D14/392
 D583,818 S * 12/2008 Kuchler D14/391

D599,350 S * 9/2009 O'Neil D14/392
 D601,563 S * 10/2009 Kujawski D14/392
 D606,073 S * 12/2009 O'Neil D14/391
 D629,403 S * 12/2010 Raken D14/391
 D630,751 S * 1/2011 Yanase D24/158
 D686,616 S * 7/2013 Guerra D14/392
 D686,617 S * 7/2013 Guerra D14/392
 D706,756 S * 6/2014 Myung D14/315
 D706,759 S * 6/2014 Myung D14/315
 D725,656 S * 3/2015 Lee D14/392
 D752,592 S * 3/2016 Ozolins D14/434
 D802,598 S * 11/2017 Turpanjian D14/455
 D811,396 S * 2/2018 Tzeng D14/391
 D819,625 S * 6/2018 Michaelian D14/315
 D829,716 S * 10/2018 Barnard D14/391
 D851,054 S * 6/2019 Nalbandian D14/138 G
 D890,755 S * 7/2020 Tong D14/392

FOREIGN PATENT DOCUMENTS

CN 304939964 * 12/2018
 KR 3007258640000 1/2014
 KR 3008779810000 10/2016

OTHER PUBLICATIONS

K70 RGB Mk.2 Gaming Keyboard, Corsair, tomsguide.com, published by Marshall Honorof on Jun. 26, 2018 © Future US, Inc., online, site visited May 8, 2020. Available at URL: <https://www.tomsguide.com/us/corsair-k70-rgb-mk-2,review-5533.html> (Year: 2018).*

Office Action to the corresponding Taiwan Patent Application rendered by the Taiwan Intellectual Property Office (TIPO) on Sep. 14, 2018, 3 pages.

* cited by examiner

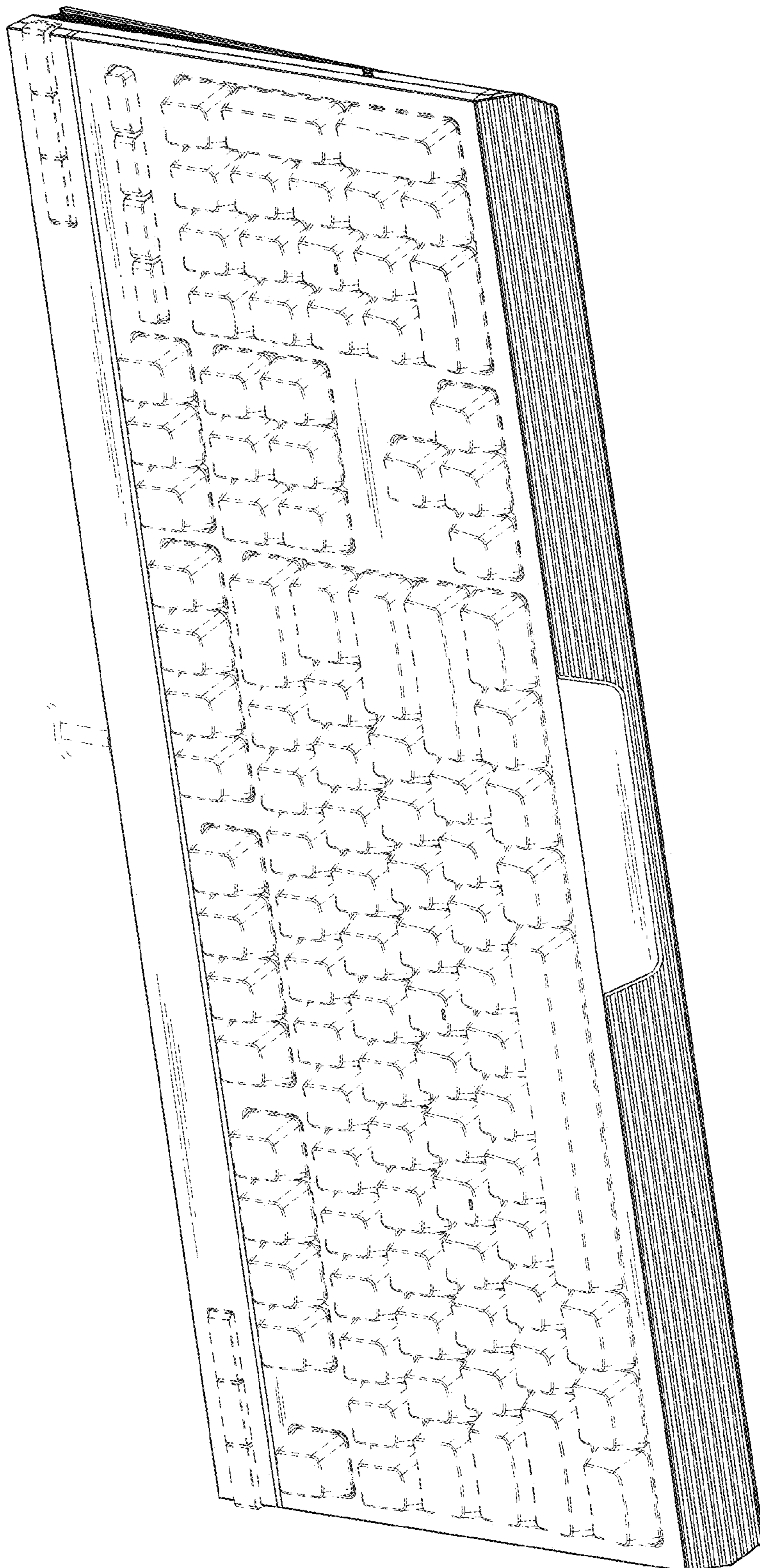


FIG. 1

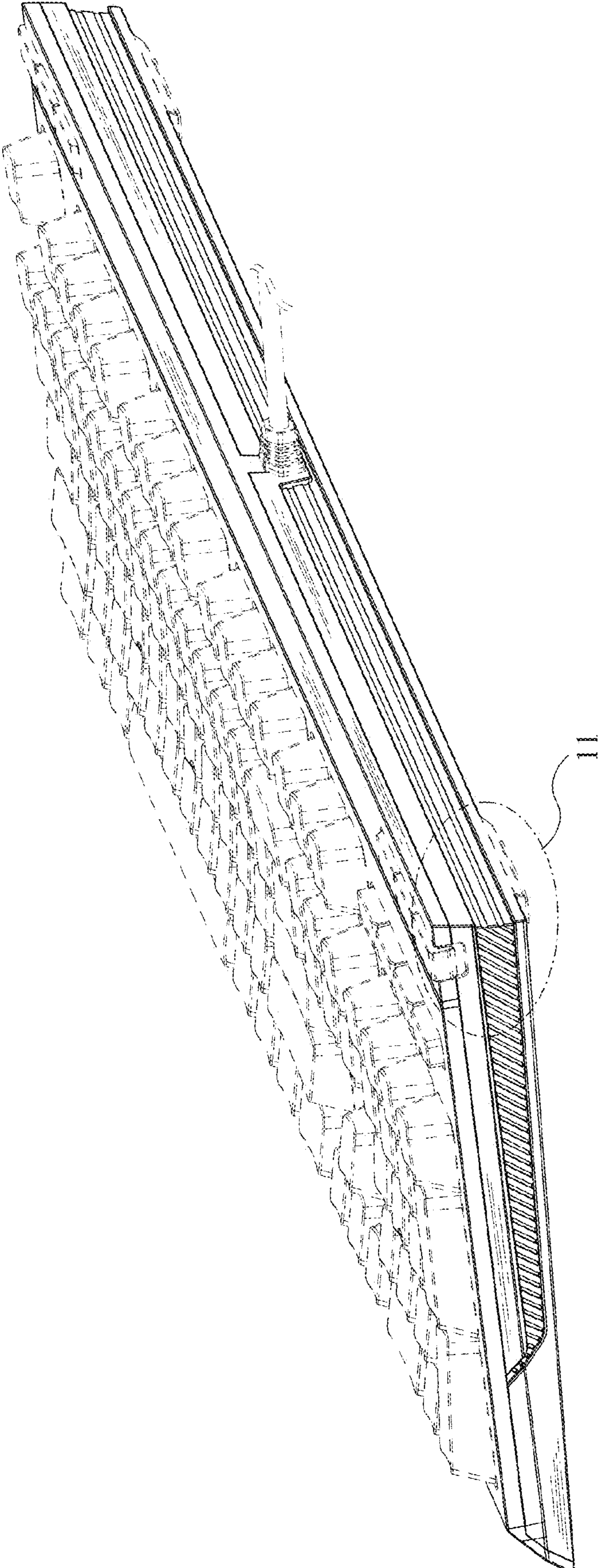


FIG. 2

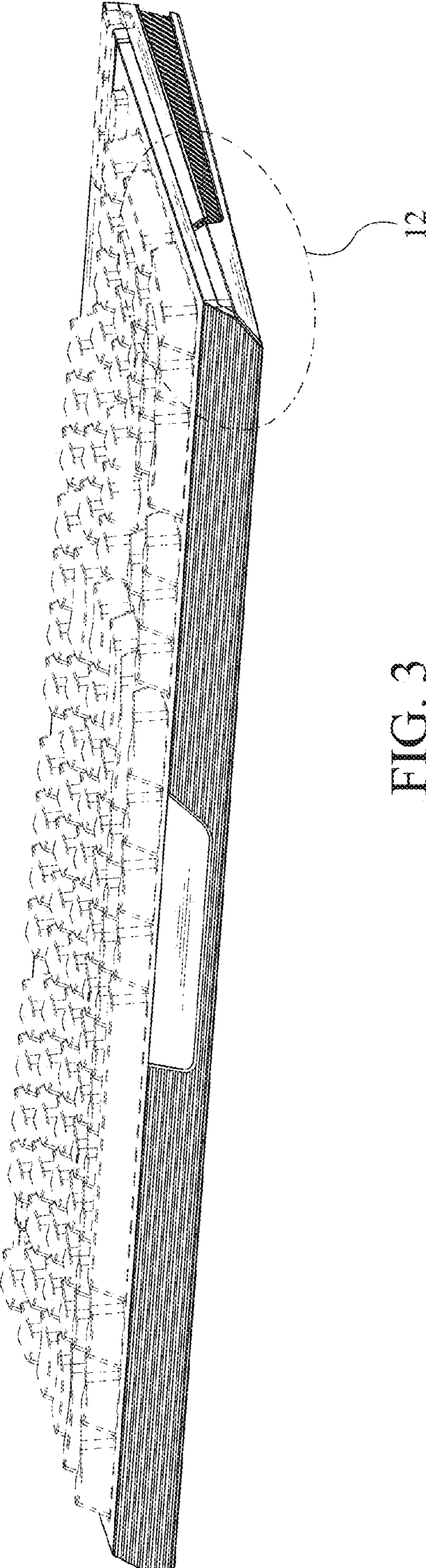


FIG. 3

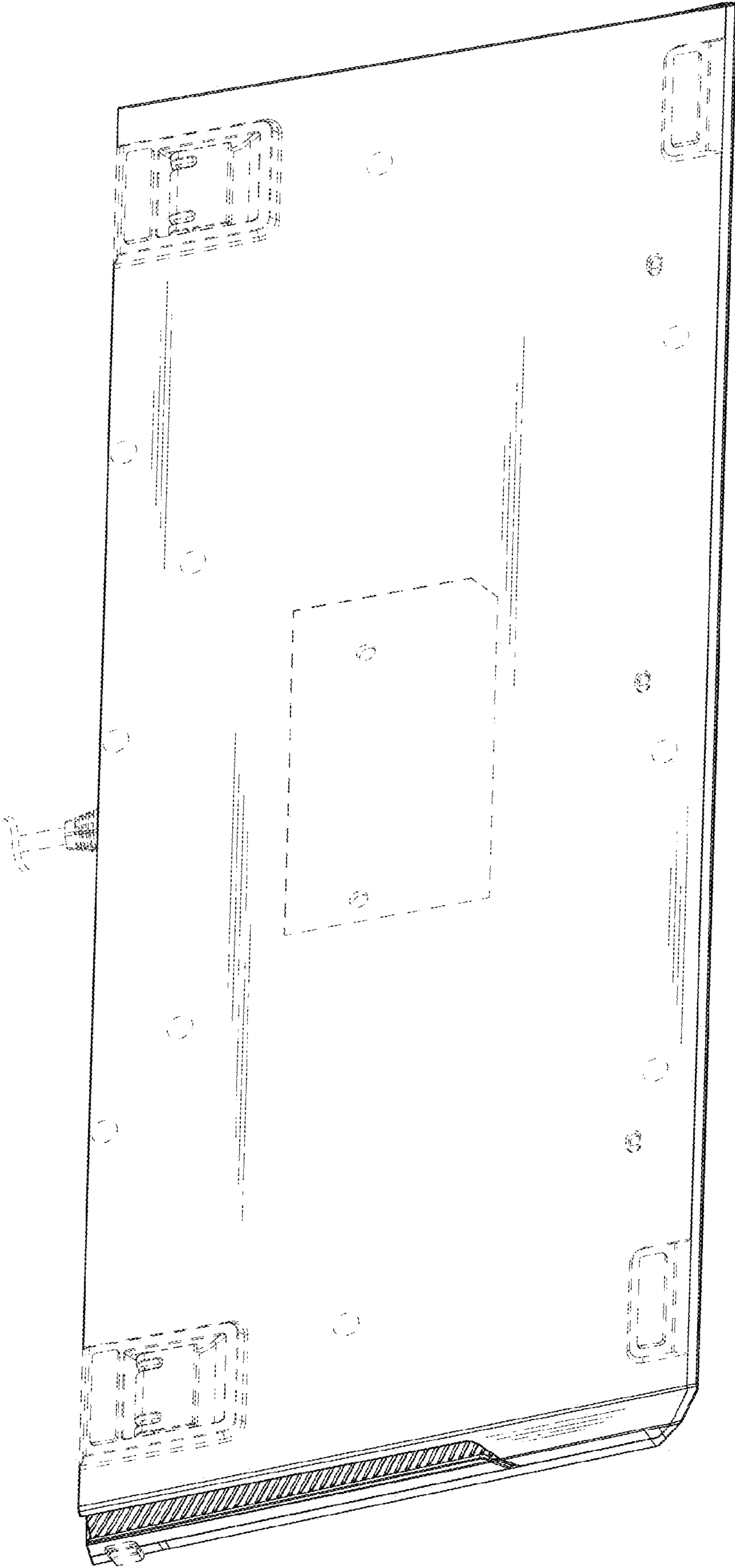


FIG. 4

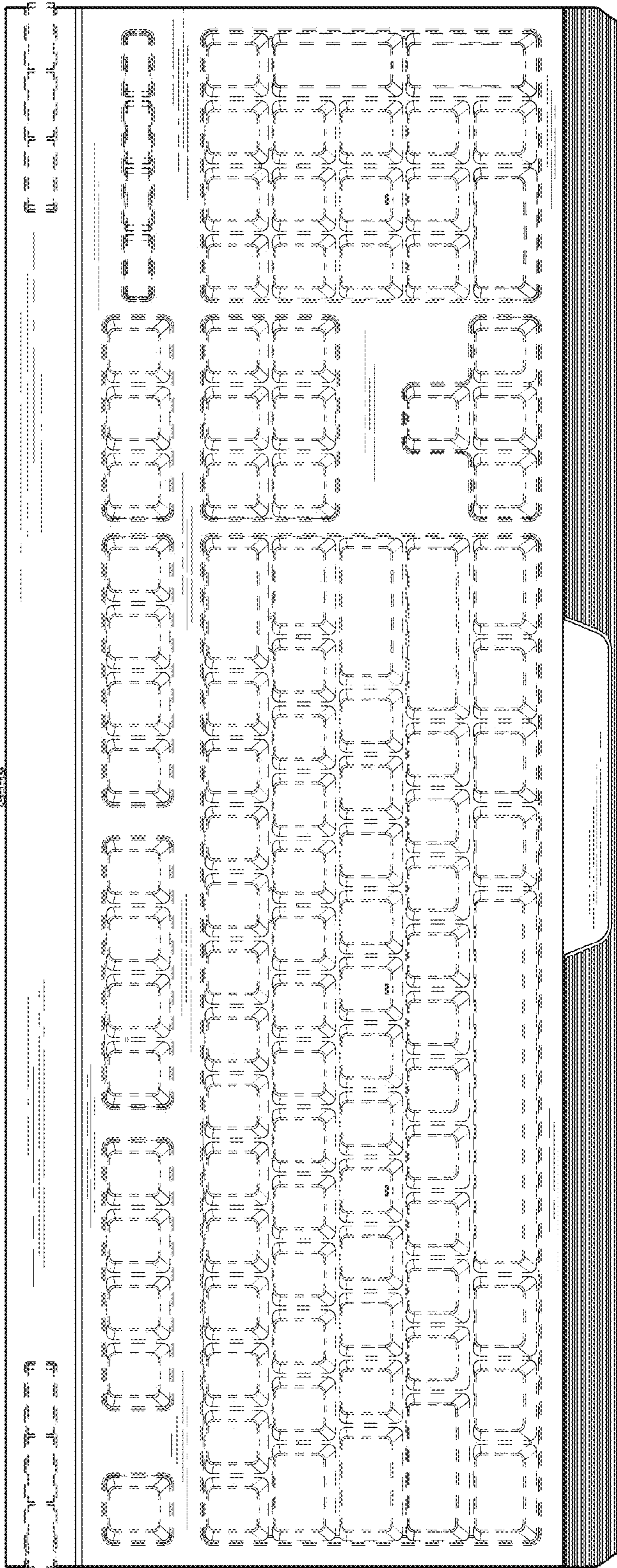


FIG. 5

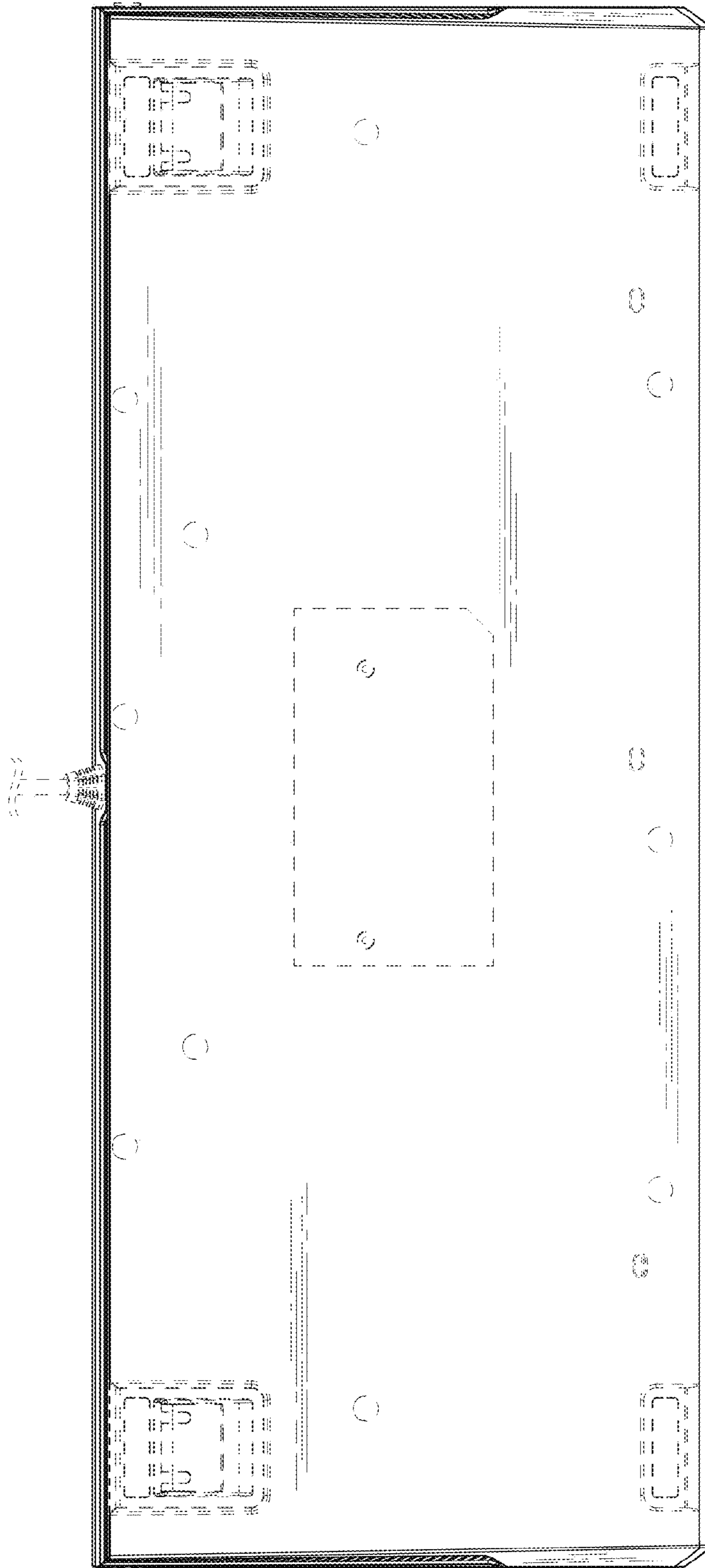


FIG. 6

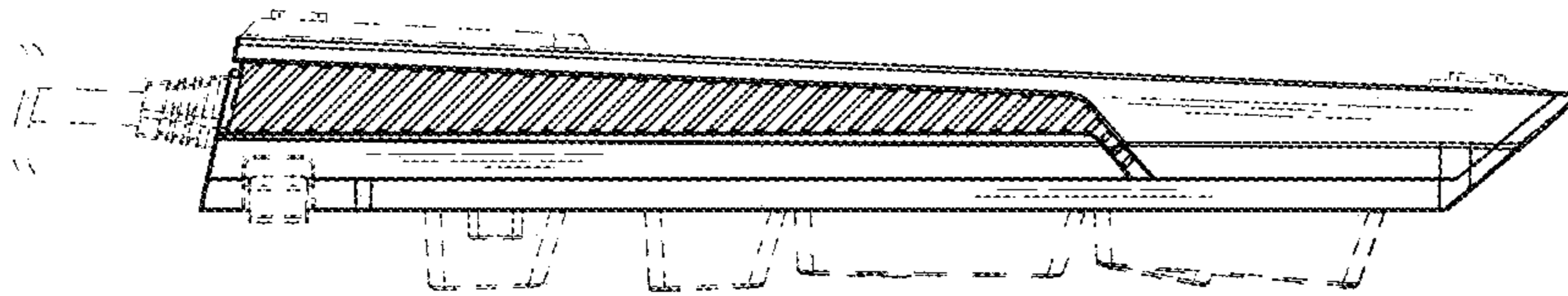


FIG. 8

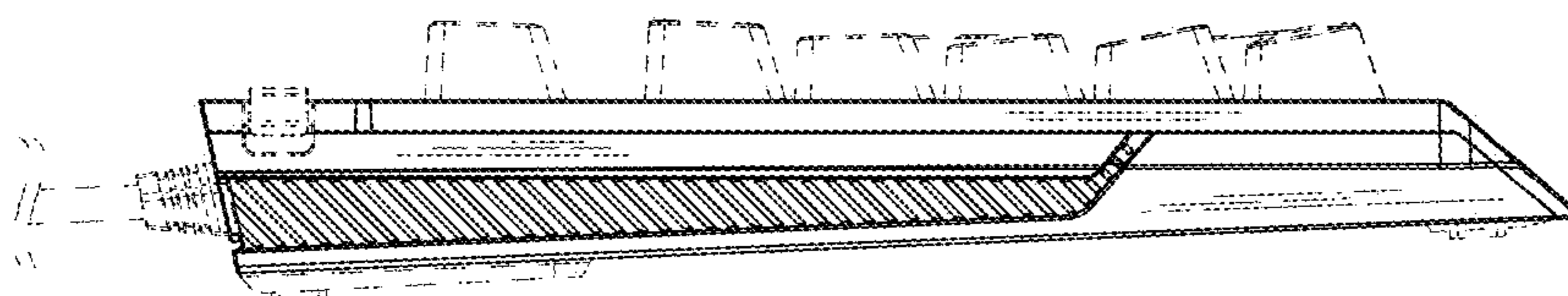


FIG. 7

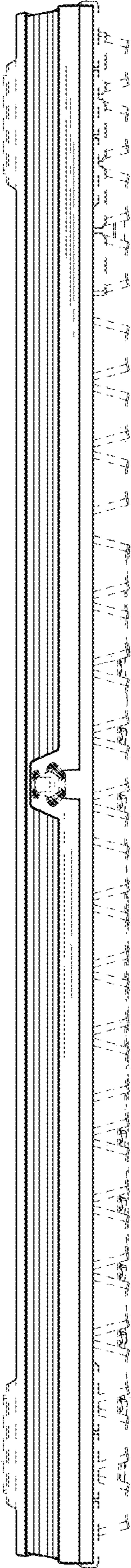


FIG. 9

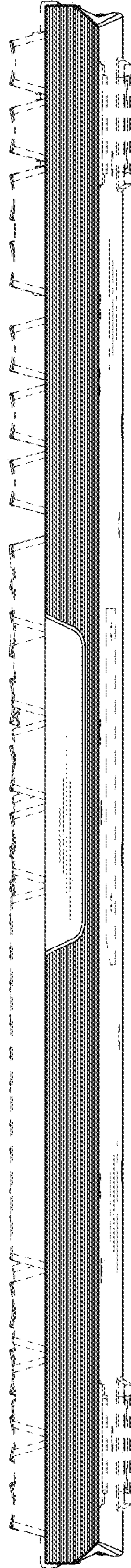


FIG. 10

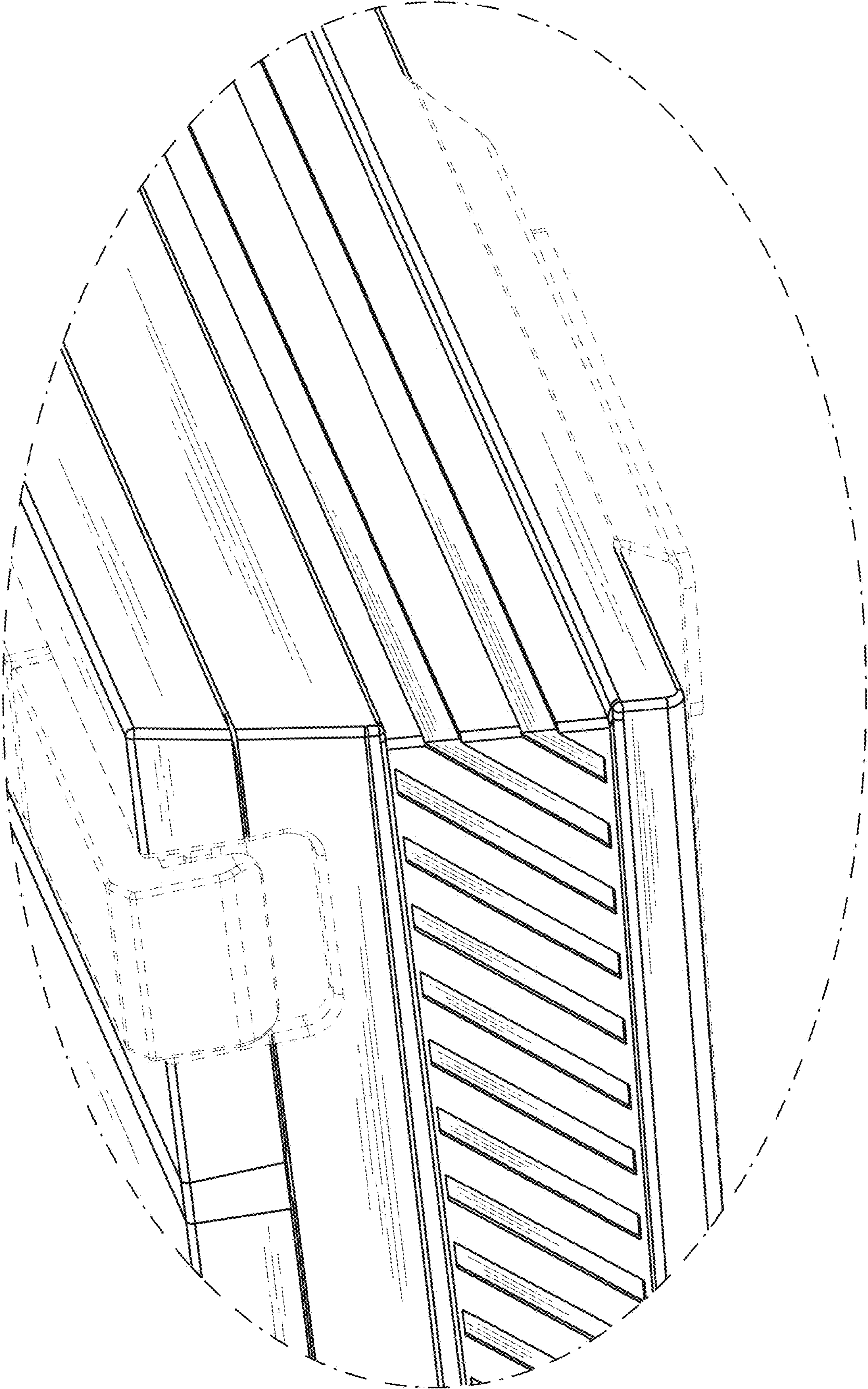


FIG. 11

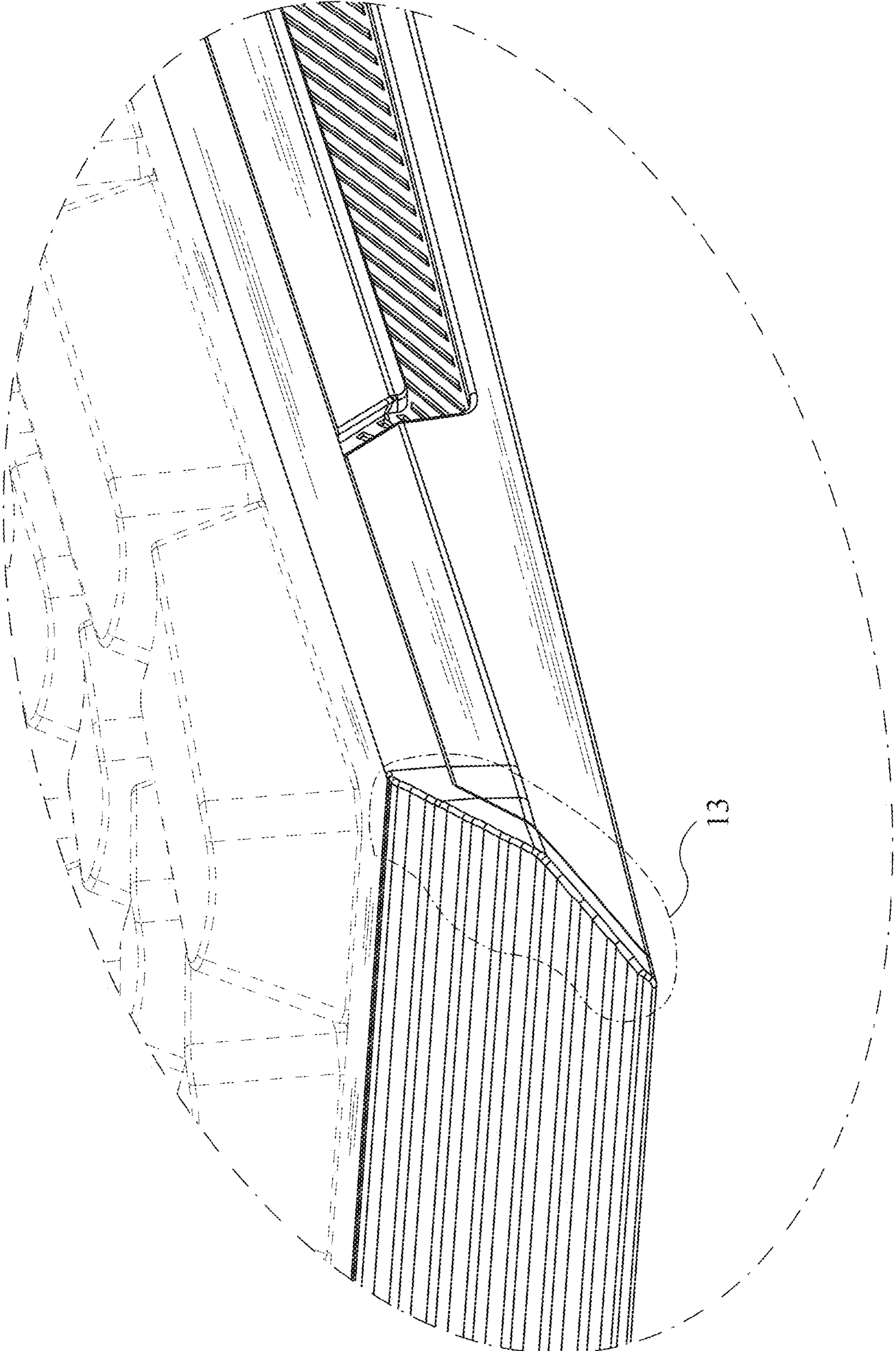


FIG. 12

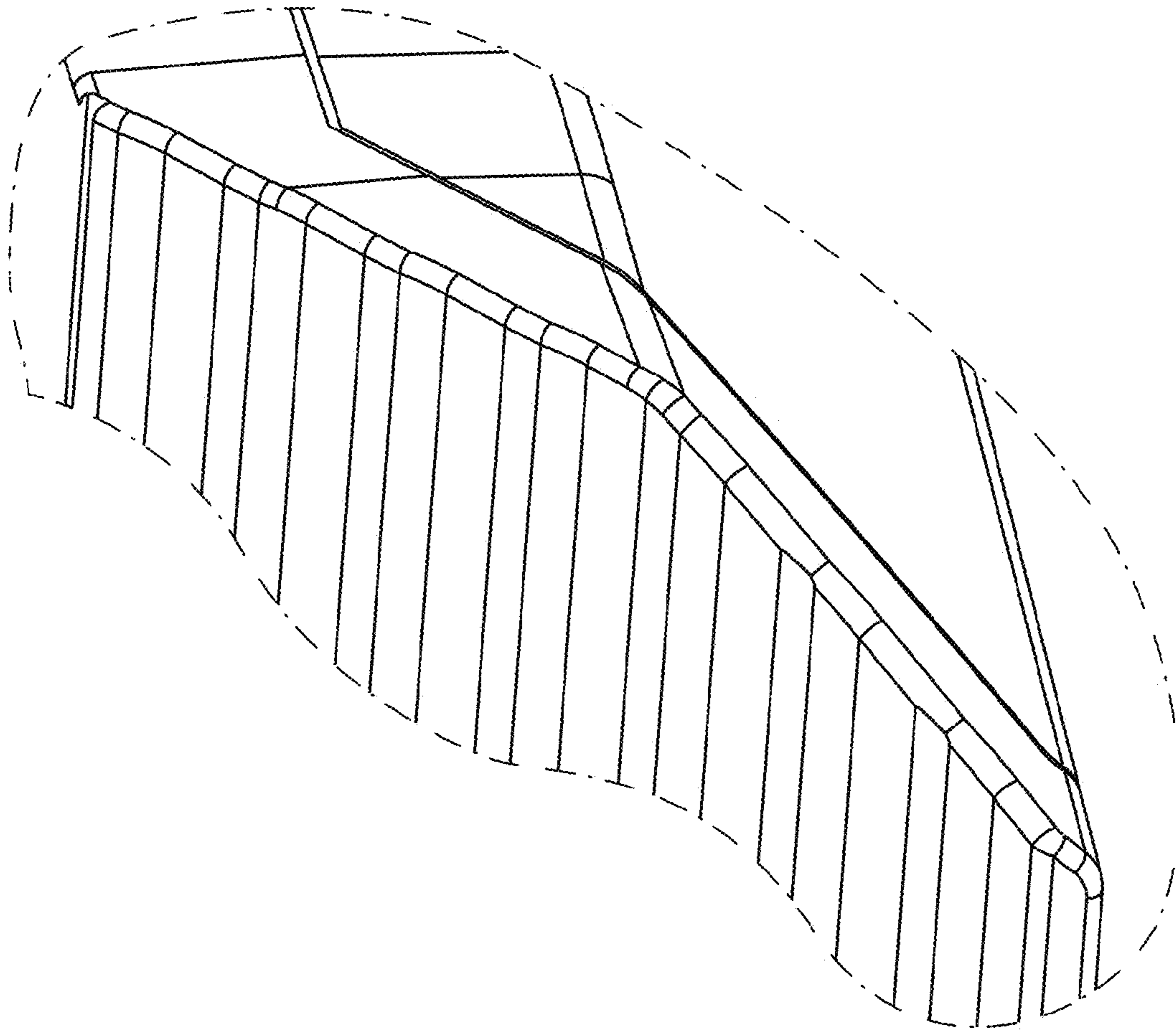


FIG. 13