



US00D901497S

(12) **United States Design Patent** (10) **Patent No.:** **US D901,497 S**
Johnson et al. (45) **Date of Patent:** **** Nov. 10, 2020**

(54) **DISPLAY SCREEN**

FOREIGN PATENT DOCUMENTS

(71) Applicant: **CATERPILLAR INC.**, Peoria, IL (US)

CN 305066310 * 3/2019
CN 305103859 * 4/2019

(72) Inventors: **Terril Johnson**, Washington, IL (US);
Joshua Whitmore, Dunlap, IL (US);
Scott Larson, Brimfield, IL (US)

OTHER PUBLICATIONS

(73) Assignee: **Caterpillar Inc.**, Peoria, IL (US)

Flows Design 3D Wall Panel, Wall Art, mywallart.com, author not listed, published on Mar. 27, 2017 per wayback machine © 2019 Wallart, online, site visited Aug. 1, 2019. Available from Internet, URL: <https://mywallart.com/en/designs/flows> (Year: 2017).*

(**) Term: **15 Years**

(21) Appl. No.: **29/622,293**

Primary Examiner — Marissa J Cash

(22) Filed: **Oct. 16, 2017**

Assistant Examiner — Altaira J Swangin

(51) **LOC (12) Cl.** **14-02**

(74) *Attorney, Agent, or Firm* — Finnegan, Henderson, Farabow, Garrett & Dunner, LLP

(52) **U.S. Cl.**

USPC **D14/371**

(58) **Field of Classification Search**

(57) **CLAIM**

USPC D14/300–302, 305, 307, 314, 336–337,
D14/371, 374–384, 388–389, 448,
D14/450–451, 210, 214; 40/406, 427;
D24/137–138, 160, 186; D20/39, 41–42;
D6/300, 308, 310; D10/15, 21, 24;
D7/672, 676; 164/159; D25/119, 121,
D25/123, 125, 136, 154; 425/470
CPC E04H 1/1272; E04H 1/1222; G09F 13/00;
G09F 9/00; G09F 9/3023; G09F 9/3026
See application file for complete search history.

The ornamental design for a display screen, as shown and described.

DESCRIPTION

(56) **References Cited**

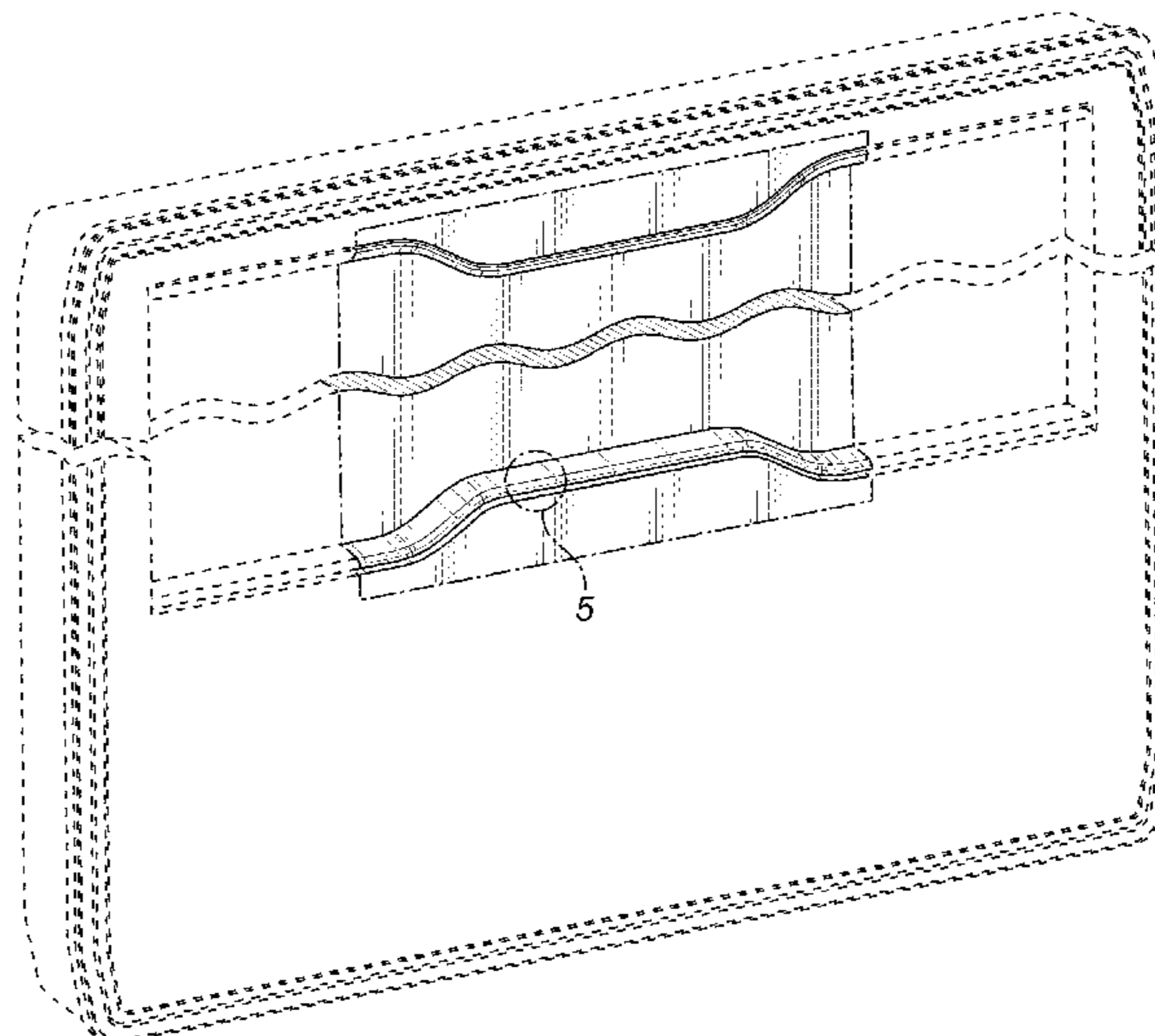
U.S. PATENT DOCUMENTS

2,296,336 A * 9/1942 Crozier E02D 5/523
405/251
2,395,877 A * 3/1946 Keene B23K 20/227
428/582
D200,005 S * 1/1965 Hirashiki D25/58
D207,397 S * 4/1967 Hooton D25/152
D252,551 S * 8/1979 Keller D11/136
D279,028 S * 5/1985 Kohler, Jr. D23/280.1
D296,135 S * 6/1988 Dreiling D25/136
D296,136 S * 6/1988 Dreiling D25/136

FIG. 1 is a front, left, top perspective view of a display screen showing our new design, wherein the appearance of any portion of the display screen between the break lines forms no part of the claimed design;
FIG. 2 is a front, right, bottom perspective view thereof;
FIG. 3 is a front elevation view thereof;
FIG. 4 is an enlarged cross-sectional detail view thereof, taken along the cut line 4-4 as indicated in FIG. 3, with some broken line portions of the display screen removed for clarity of disclosure; and,
FIG. 5 is an enlarged perspective view thereof, as indicated by detail 5 in FIG. 1.
The broken lines of uneven length shown in the drawings form a boundary of the claimed design. The broken lines of even length shown in the drawings illustrate portions of the display screen which form no part of the claimed design.

(Continued)

1 Claim, 5 Drawing Sheets



(56)

References Cited

U.S. PATENT DOCUMENTS

D301,745	S	*	6/1989	Burkstrand	D25/119
D322,678	S	*	12/1991	Brathwaite	D25/136
D484,253	S	*	12/2003	Glatz	D25/136
6,941,786	B1	*	9/2005	Cooper	B21D 26/033 29/421.1
D606,801	S	*	12/2009	Kirk	D7/354
D609,956	S	*	2/2010	Lukasik	D6/582
D623,646	S	*	9/2010	Peng	D14/324
D624,067	S	*	9/2010	Peng	D14/315
D624,068	S	*	9/2010	Peng	D14/315
D624,069	S	*	9/2010	Peng	D14/324
D626,123	S	*	10/2010	Peng	D14/324
D649,149	S	*	11/2011	Peng	D14/315
D693,298	S	*	11/2013	Inskeep	D13/110
D699,720	S	*	2/2014	Kuehn	D14/348
D701,490	S	*	3/2014	Inskeep	D13/110
D706,089	S	*	6/2014	Geier	D7/672
D731,474	S	*	6/2015	Leibenhaut	D14/253
9,560,922	B2	*	2/2017	Wunner	A47F 5/0043
D799,067	S	*	10/2017	Forsberg	D25/119
D813,162	S	*	3/2018	Krantz	D13/110
D820,207	S	*	6/2018	Lemelson	D13/110
D822,000	S	*	7/2018	Lin	D14/214
D832,103	S	*	10/2018	Anderson	D9/456
D834,407	S	*	11/2018	Miller	D9/631
D840,838	S	*	2/2019	Wonderley	D9/748
D849,020	S	*	5/2019	Whitmore	D14/485
D853,402	S	*	7/2019	Yang	D14/440
D854,023	S	*	7/2019	Yang	D14/440
D856,147	S	*	8/2019	Anderson	D9/456
D874,025	S	*	1/2020	Kittur	D25/119
2004/0031230	A1	*	2/2004	Pabedinskas	E04C 3/28 52/839

* cited by examiner

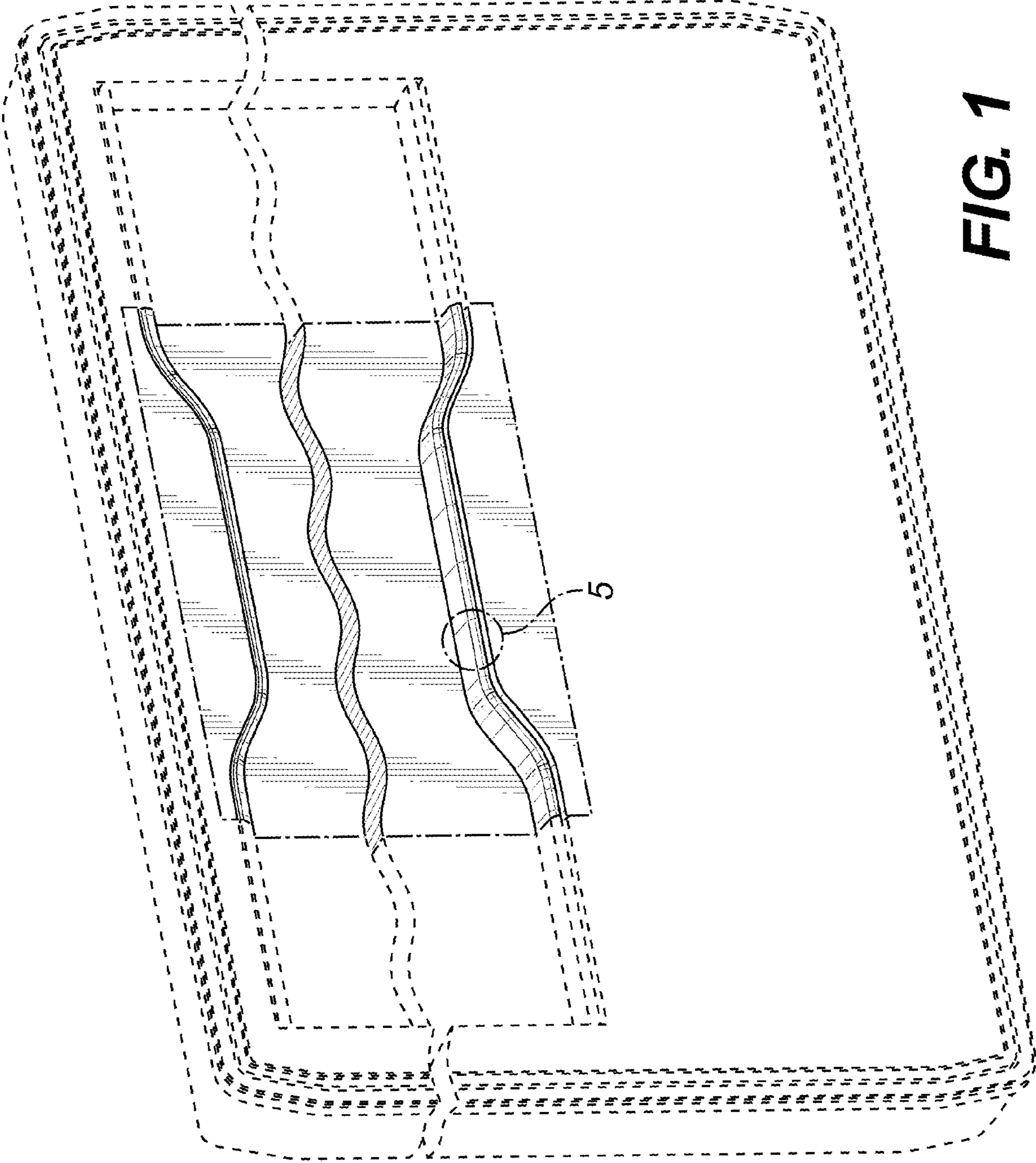


FIG. 1

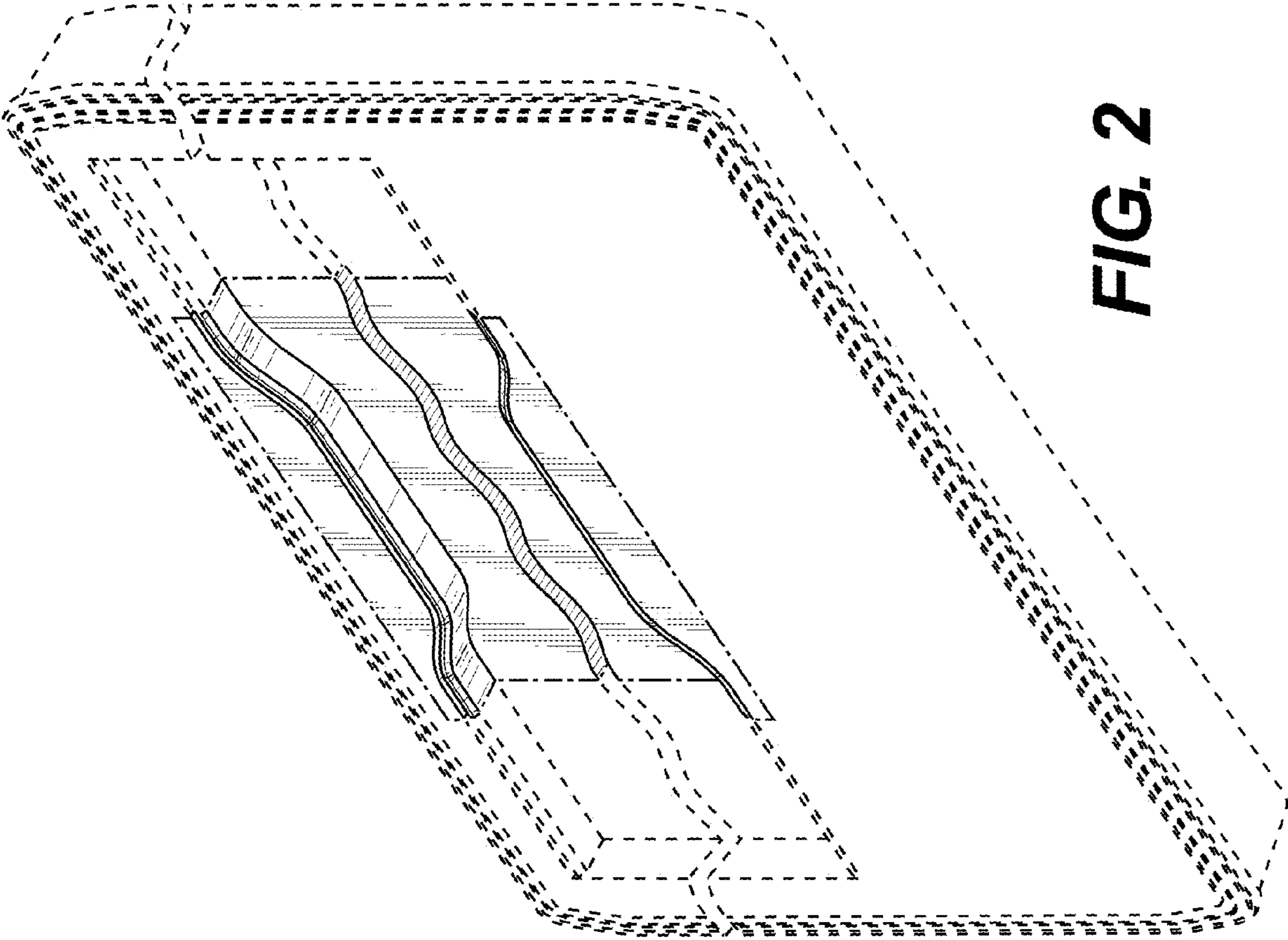


FIG. 2

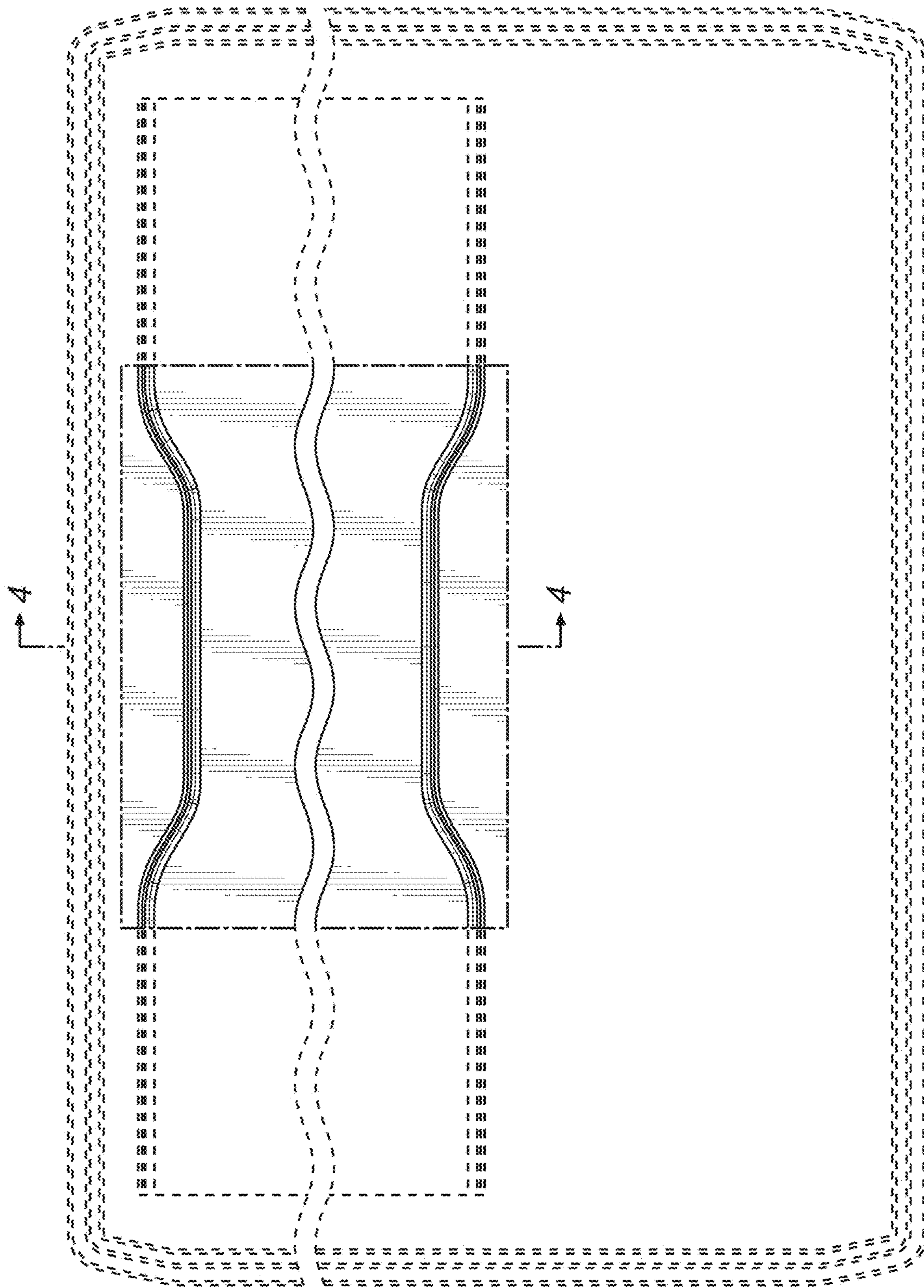


FIG. 3

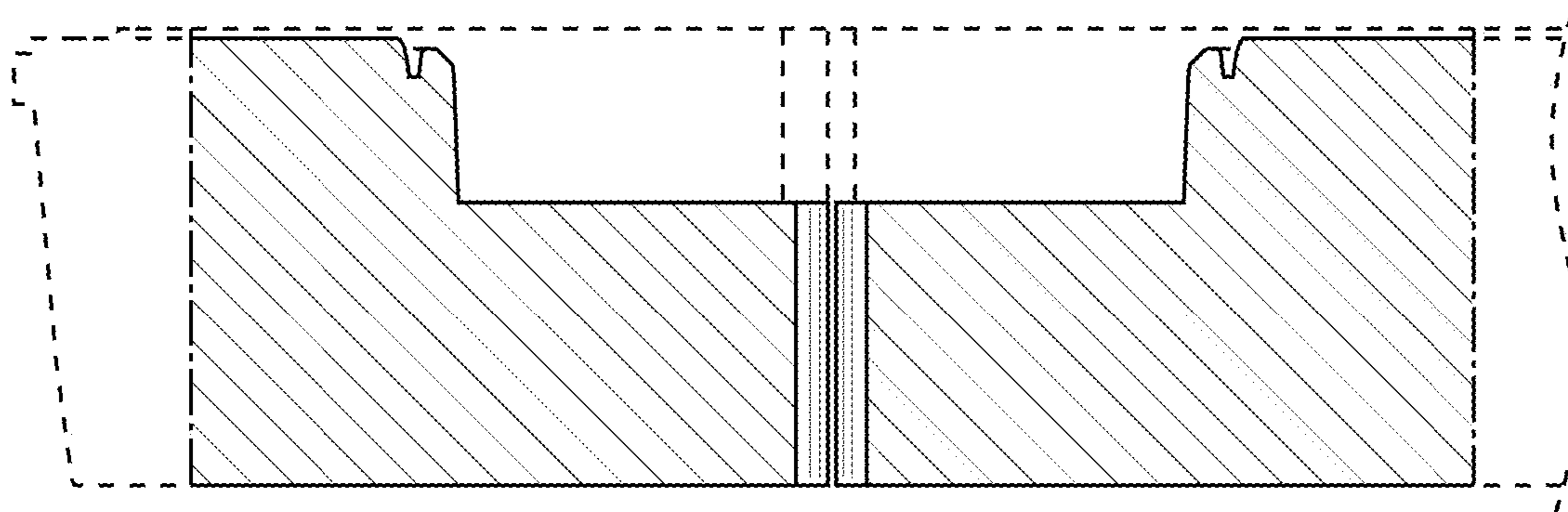


FIG. 4

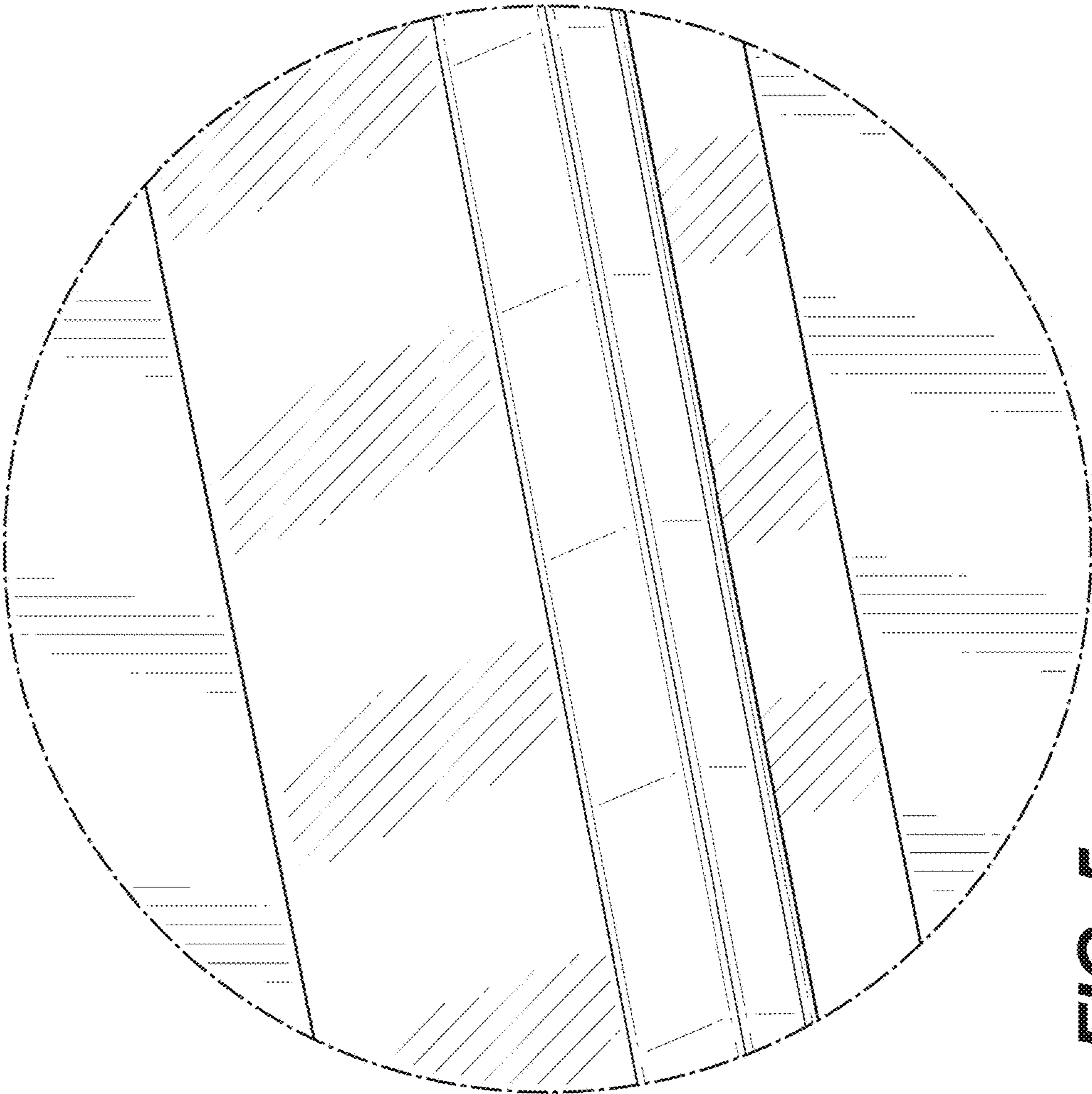


FIG. 5