



US00D901496S

(12) **United States Design Patent** (10) **Patent No.:** **US D901,496 S**
Hachiya (45) **Date of Patent:** **** Nov. 10, 2020**

(54) **WIRELESS INPUT DEVICE**
(71) Applicant: **KYOCERA Corporation**, Kyoto (JP)
(72) Inventor: **Hidetoshi Hachiya**, Yokohama (JP)
(73) Assignee: **KYOCERA CORPORATION**, Kyoto (JP)

(**) Term: **15 Years**

(21) Appl. No.: **29/680,883**

(22) Filed: **Feb. 21, 2019**

(30) **Foreign Application Priority Data**

Jun. 22, 2018 (JP) 2018-013778

(51) **LOC (12) Cl.** **14-02**

(52) **U.S. Cl.**
USPC **D14/358; D14/388**

(58) **Field of Classification Search**
USPC D14/399, 388, 389, 390, 391, 338, 339,
D14/356, 347, 379, 380, 384, 454, 455,
D14/496, 218, 299, 247, 147, 432, 357,
D14/358; D13/162, 164, 168, 123;
D10/46, 78, 104.1, 106.1, 106.3, 106.95,
D10/49; D20/99, 1, 8
CPC .. G07C 9/00; G07C 9/00174; G07C 9/00817;
G05B 2219/23051; G05B 2219/21073;
G05B 2219/23096; H04W 4/206; H04W
4/021
See application file for complete search history.

(56) **References Cited**

U.S. PATENT DOCUMENTS

D296,440 S * 6/1988 Smith D14/432
D322,244 S * 12/1991 Bishai D13/168
D340,042 S * 10/1993 Copper D14/388
D361,058 S * 8/1995 Domel D13/168
D366,262 S * 1/1996 Inaba D10/104.1
D373,318 S * 9/1996 Berch D10/106.1

D373,319 S * 9/1996 Dzierisk D10/106.1
D401,911 S * 12/1998 Hwang D13/168
D429,221 S * 8/2000 Picozza D13/168
D450,337 S * 11/2001 Hamamura D13/168
D460,968 S * 7/2002 Dow D14/388
D481,374 S * 10/2003 Lee D14/188
D490,069 S * 5/2004 Lee D14/188
D490,070 S * 5/2004 Lee D14/188

(Continued)

FOREIGN PATENT DOCUMENTS

CN 301478976 S 3/2011
JP 1555321 S 8/2016

(Continued)

OTHER PUBLICATIONS

AT & T LTE-M Button, Jan. 28, 2019, <https://marketplace.att.com/products/att-lte-m-button>, 1pp.

Primary Examiner — Marie D. Fast Horse
(74) *Attorney, Agent, or Firm* — Hauptman Ham, LLP

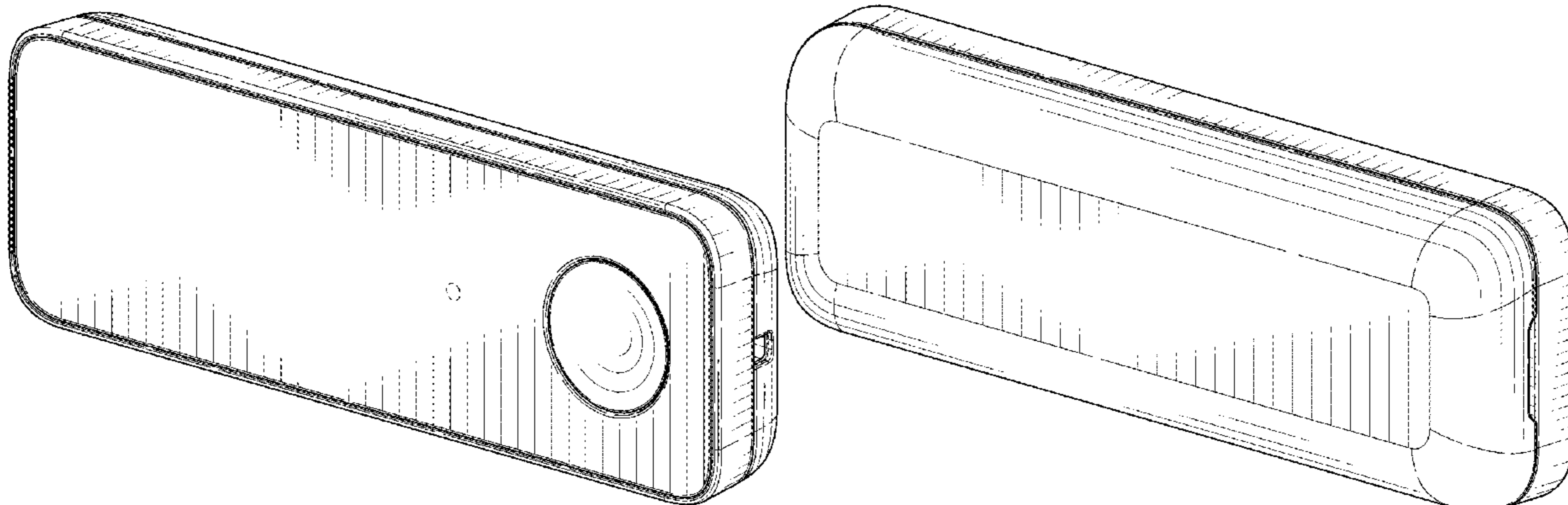
(57) **CLAIM**

The ornamental design for a wireless input device, as shown and described.

DESCRIPTION

FIG. 1 is a front elevational view of a wireless input device bearing the design;
FIG. 2 is a rear elevational view thereof;
FIG. 3 is a right side elevational view thereof;
FIG. 4 is a left side elevational view thereof;
FIG. 5 is a top plan view thereof;
FIG. 6 is a bottom plan view thereof;
FIG. 7 is a top-front-right perspective view thereof; and,
FIG. 8 is a top-rear-left perspective view thereof.
The broken lines showing a portion of a wireless input device are for illustrative purposes only and form no part of the claimed design.

1 Claim, 5 Drawing Sheets



(56)

References Cited

U.S. PATENT DOCUMENTS

D502,929 S * 3/2005 Copeland D13/168
 D508,511 S * 8/2005 Christou D16/202
 D514,526 S * 2/2006 Chen D13/168
 D541,275 S * 4/2007 Lai D14/358
 D546,782 S * 7/2007 Poulet D13/168
 D548,195 S * 8/2007 Poulet D13/168
 D568,827 S * 5/2008 Ikeda D13/168
 D573,957 S * 7/2008 Ledbetter D13/168
 D585,060 S * 1/2009 Han D14/358
 D595,669 S * 7/2009 Endo D13/168
 D601,561 S * 10/2009 Nunes D14/358
 D617,746 S * 6/2010 Choi D13/168
 D620,456 S * 7/2010 Akana D13/168
 D622,685 S * 8/2010 Garra D14/137
 D631,851 S * 2/2011 Smith D13/168
 D642,161 S * 7/2011 Akana D14/218
 D654,917 S * 2/2012 Chaturvedi D14/358
 D684,957 S * 6/2013 Smith D14/242
 D705,751 S * 5/2014 Wenger D14/206
 D735,179 S * 7/2015 Yang D14/240
 D764,461 S * 8/2016 Romanoff D14/358
 D764,463 S * 8/2016 Dwivedula D14/358
 D767,567 S 9/2016 McWilliam
 D767,568 S 9/2016 McWilliam
 D768,015 S * 10/2016 Yang D10/118.2
 D789,363 S * 6/2017 Jentz D14/388

D789,366 S * 6/2017 Jentz D14/388
 D789,367 S * 6/2017 Jentz D14/388
 D790,484 S * 6/2017 Bristol D13/168
 D791,767 S * 7/2017 Ali D14/358
 D792,359 S * 7/2017 Nakagawa D13/168
 D792,403 S * 7/2017 Nott D14/384
 D797,059 S * 9/2017 Gong D13/168
 D798,296 S * 9/2017 Ali D14/358
 D806,657 S * 1/2018 Russo D13/168
 D825,608 S 8/2018 Andrizzi et al.
 D825,609 S 8/2018 Andrizzi et al.
 D826,937 S * 8/2018 Ruegg D14/388
 D850,314 S * 6/2019 Laurans D10/118.2
 D853,264 S * 7/2019 Laurans D10/118.2
 D856,332 S * 8/2019 Ruegg D14/388
 D856,333 S * 8/2019 Ruegg D14/388
 D873,245 S * 1/2020 Russo D14/218
 D875,083 S * 2/2020 Sohn D14/218
 D880,456 S * 4/2020 Russo D14/218
 D886,101 S * 6/2020 Pai D14/357
 2016/0094967 A1 * 3/2016 Sulaiman H04W 4/021
 455/404.2

FOREIGN PATENT DOCUMENTS

KR 30-0475271 S 1/2008
 WO DM/093094 S 3/2017

* cited by examiner

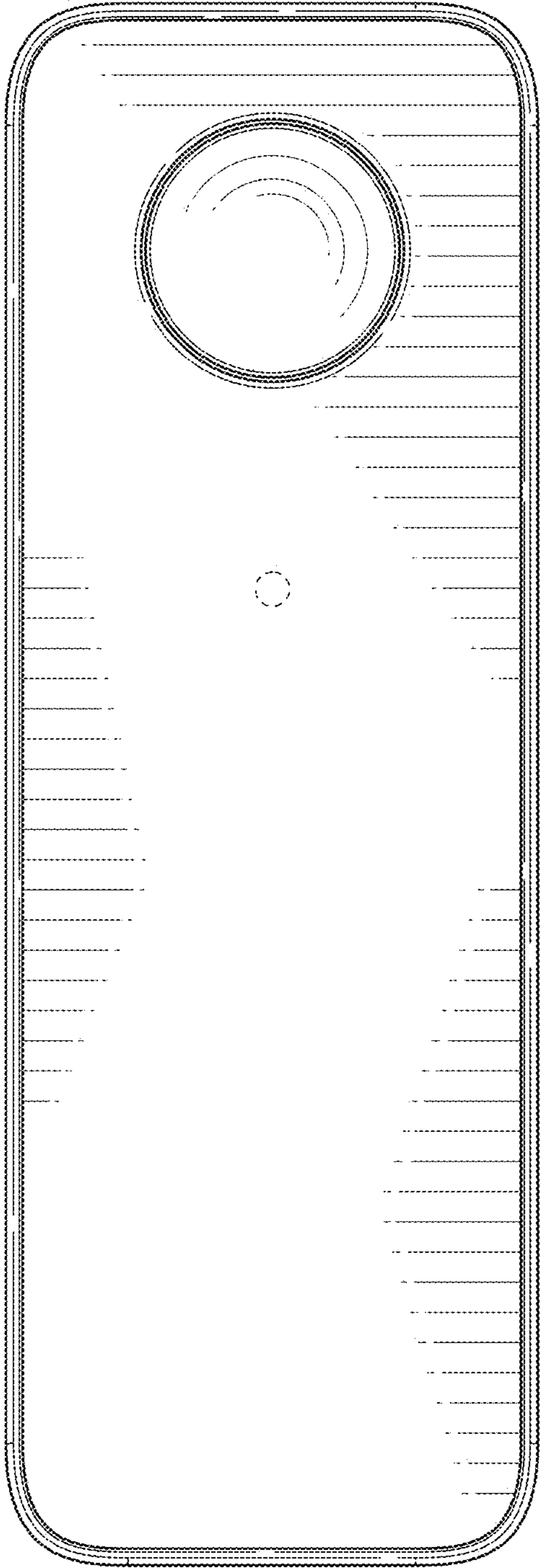


FIG. 1

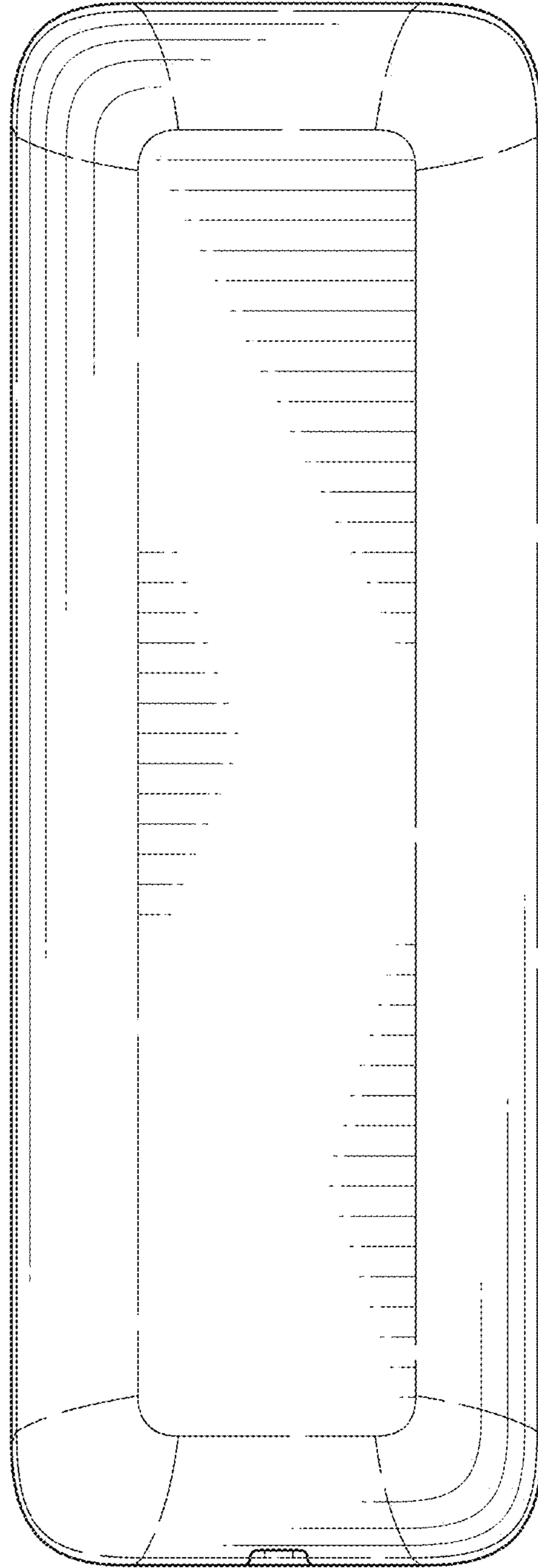


FIG. 2

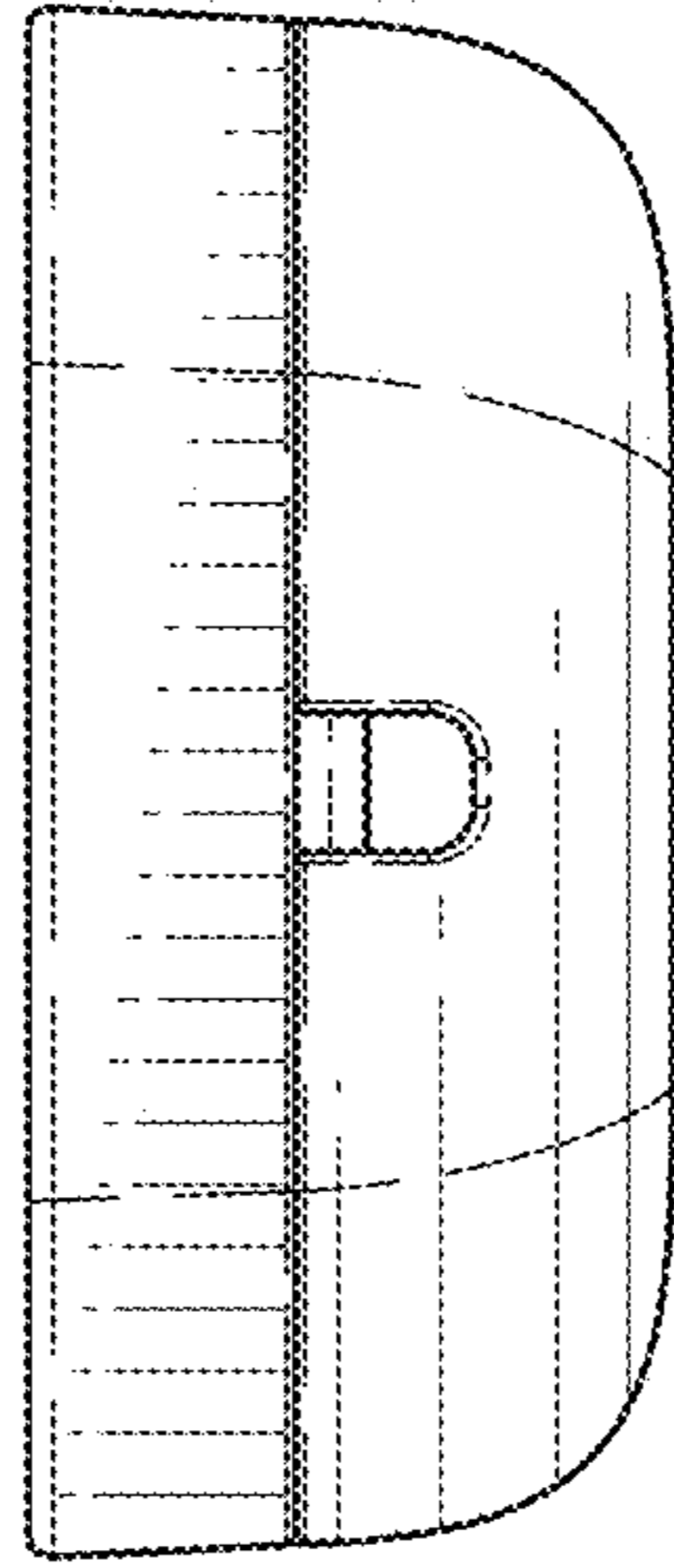


FIG. 3

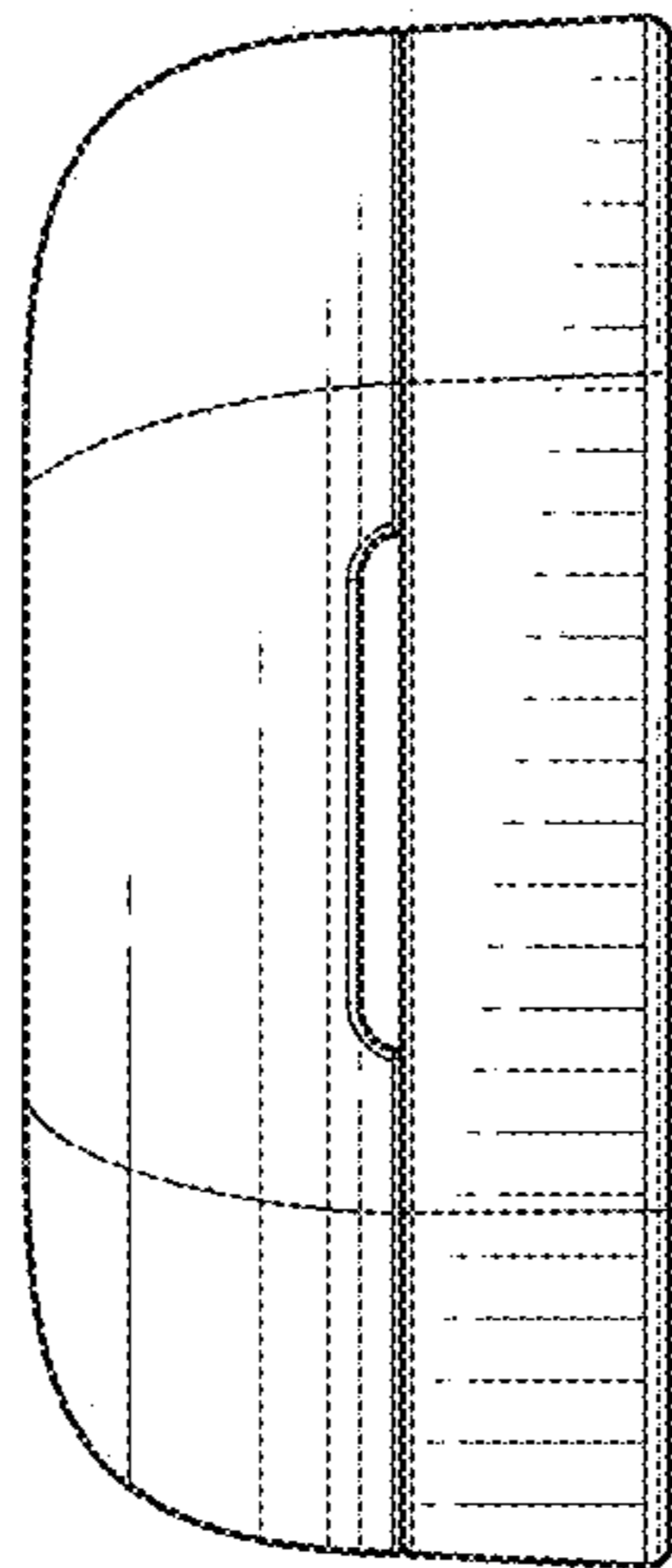


FIG. 4

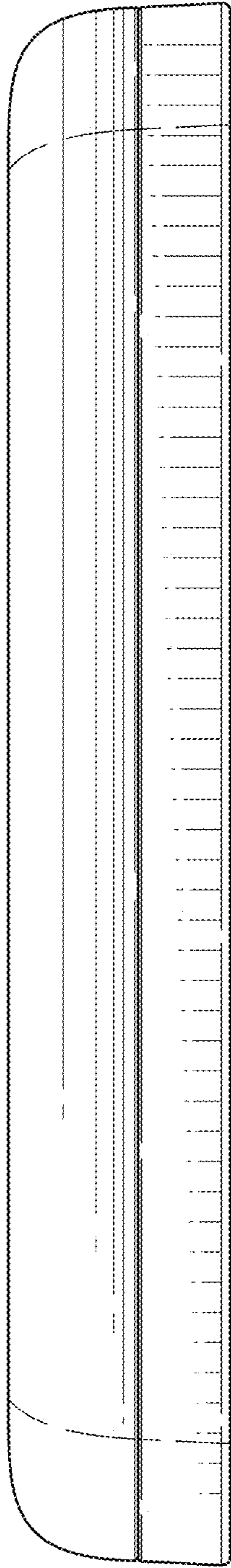


FIG. 5

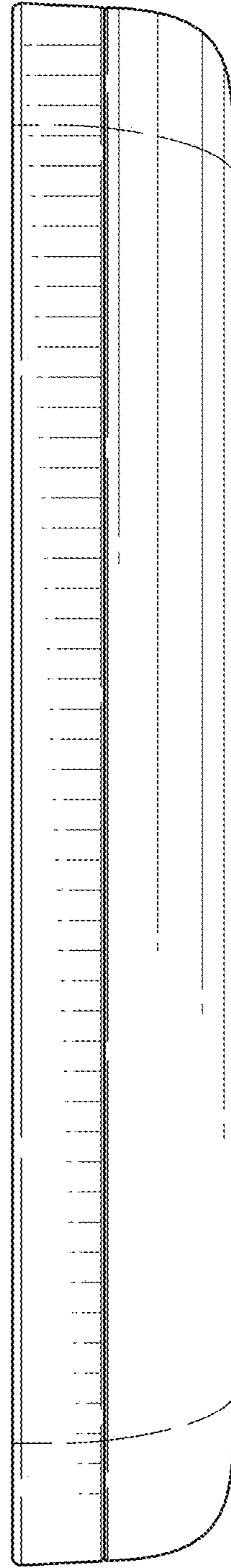


FIG. 6

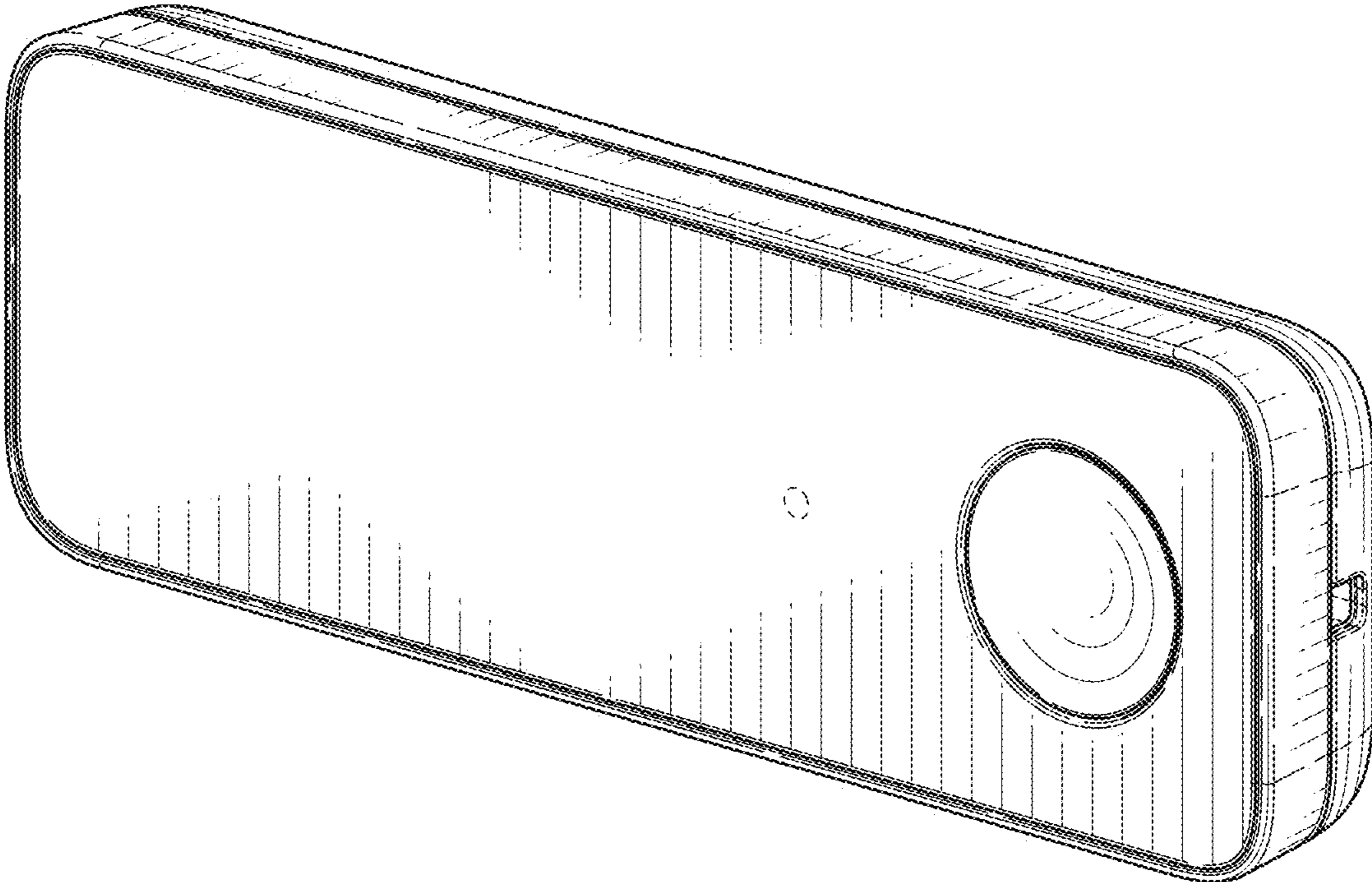


FIG. 7

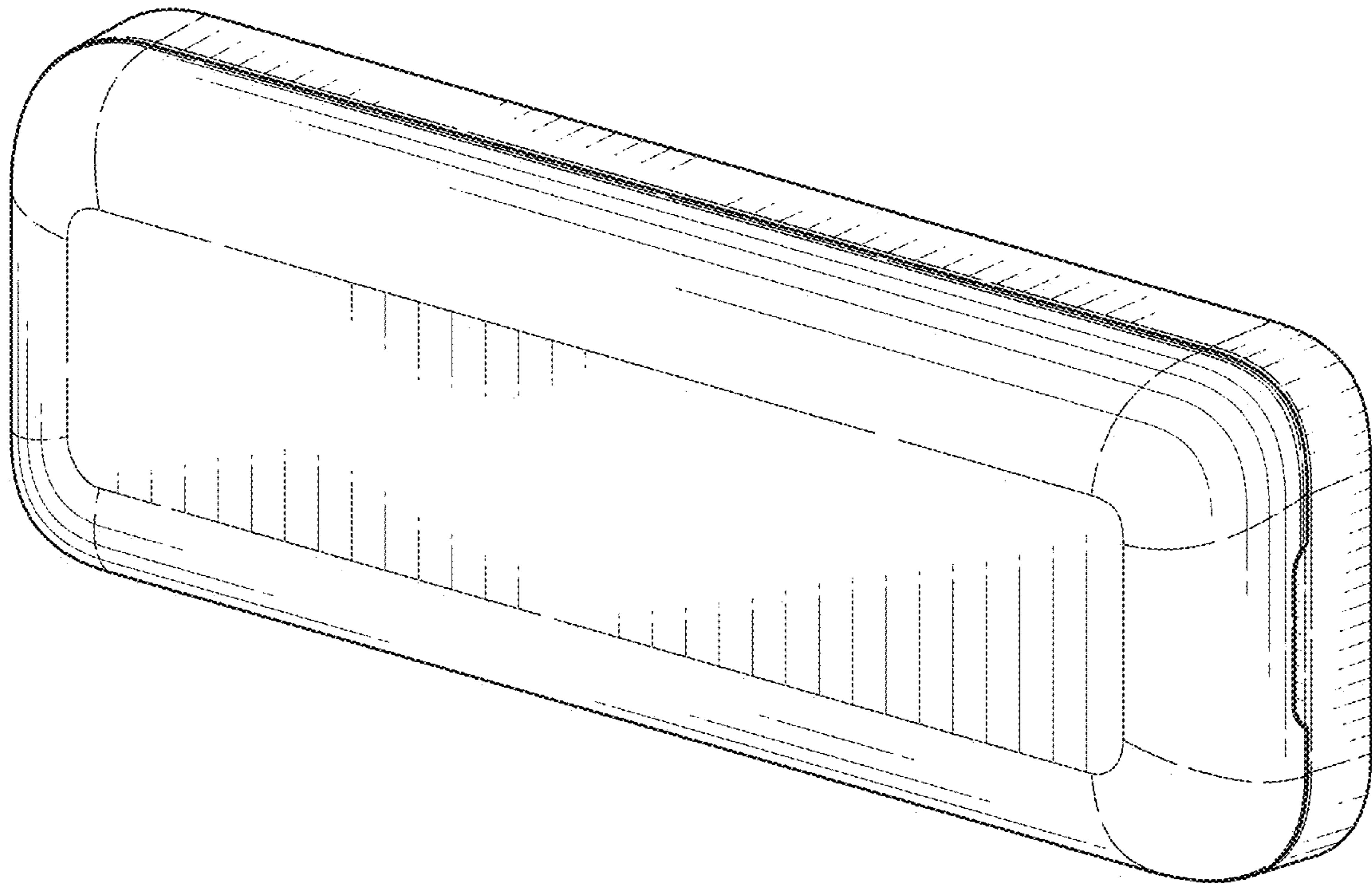


FIG. 8