



US00D901494S

(12) **United States Design Patent**  
**Kim**

(10) **Patent No.:** **US D901,494 S**

(45) **Date of Patent:** **\*\* Nov. 10, 2020**

(54) **DISPLAY DEVICE**

(71) Applicant: **SAMSUNG DISPLAY CO., LTD.**,  
Yongin-si (KR)

(72) Inventor: **Se Bong Kim**, Asan-si (KR)

(73) Assignee: **Samsung Display Co., Ltd.**, Yongin-si  
(KR)

(\*\*) Term: **15 Years**

(21) Appl. No.: **29/627,433**

(22) Filed: **Nov. 27, 2017**

(30) **Foreign Application Priority Data**

May 31, 2017 (KR) ..... 30-2017-0024698

(51) **LOC (12) Cl.** ..... **14-02**

(52) **U.S. Cl.**  
USPC .. **D14/345**; D14/341; D14/248; D14/138 AB

(58) **Field of Classification Search**  
USPC ..... D14/315–318, 341–347, 420, 426, 240,  
D14/129–130, 496, 137, 138 R, 138 AA,  
D14/138 AB, 138 AC, 136 AD, 138 C,  
D14/138 G, 147, 203.1–203.8, 218, 247,  
D14/371, 248, 388–389, 374; D6/308,  
D6/310; D10/104.1, 50, 65; D18/6–7;  
D19/26, 59, 60; D21/324, 329, 330, 332  
CPC ..... G06F 3/044; G06F 1/1613; G06F 1/1626;  
G06F 2200/1633; G06F 3/0488; G06F  
(Continued)

(56) **References Cited**

**U.S. PATENT DOCUMENTS**

D208,426 S \* 8/1967 Lodermeier ..... D8/356  
D467,160 S \* 12/2002 Roick ..... D8/367  
D588,126 S \* 3/2009 Chiang ..... D14/345

(Continued)

*Primary Examiner* — Dana K Weiland

(74) *Attorney, Agent, or Firm* — Lewis Roca Rothgerber  
Christie LLP

(57) **CLAIM**

The ornamental design for a display device, as shown and  
described.

**DESCRIPTION**

FIG. 1 is a top perspective view of a display device showing  
the new design in an unfolded state with extended handles;  
FIG. 2 is a front view thereof, with the rear view being a  
mirror image thereof;

FIG. 3 is a left side view thereof, with the right side view  
being a mirror image thereof;

FIG. 4 is a top view thereof;

FIG. 5 is a bottom view thereof;

FIG. 6 is a bottom perspective view of the display device in  
a folded state with folded handles;

FIG. 7 is a front view thereof, with the rear view being a  
mirror image thereof;

FIG. 8 is a left side view thereof, with the right side view  
being a mirror image thereof;

FIG. 9 is a top view thereof;

FIG. 10 is a bottom view thereof;

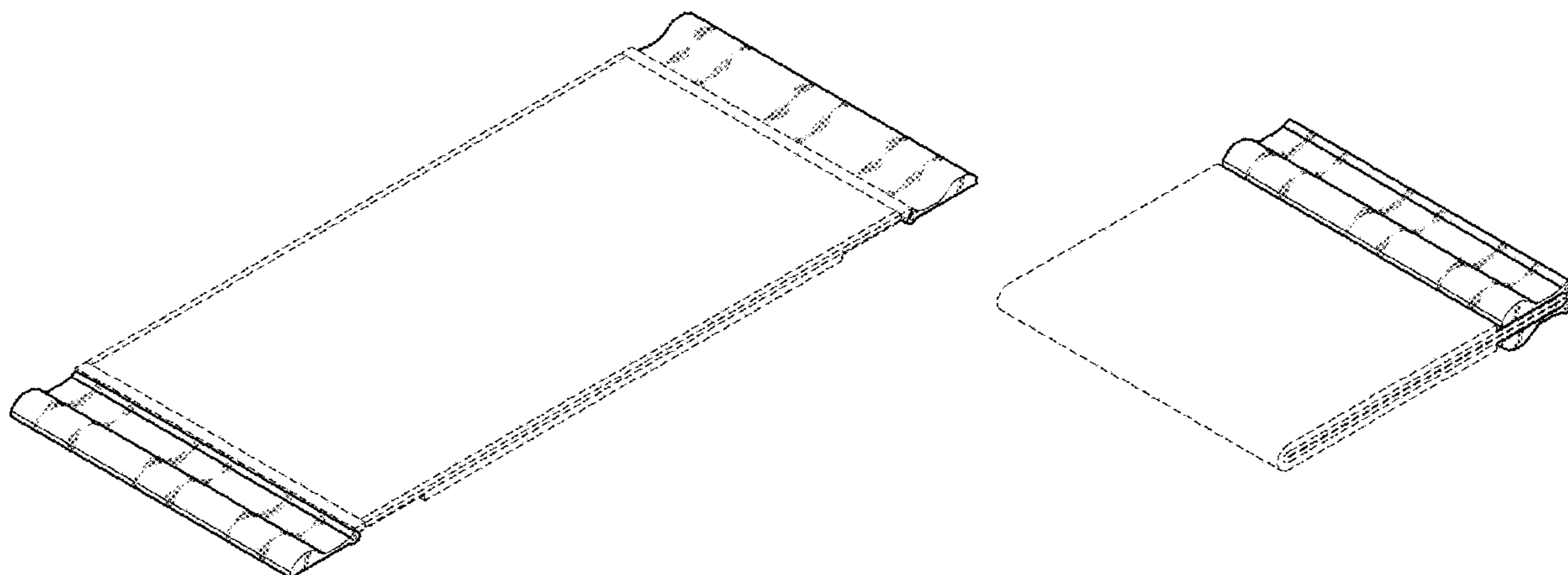
FIG. 11 is another front view of the display device in an  
unfolded state with the handles in an alternate configuration;

FIG. 12 is another front view of the display device in an  
unfolded state with the handles in an alternate configuration;  
and,

FIG. 13 is a top perspective view of the display device  
shown in FIG. 1 shown with an image displayed on the  
screen of the display.

The broken line image shown on the screen of the display in  
FIG. 13 depicts environmental subject matter that forms no  
part of the claimed design. The remainder of the broken lines  
shown in the drawings depict portions of the display device  
that form no part of the claimed design.

**1 Claim, 13 Drawing Sheets**



(58) **Field of Classification Search**

CPC . 3/04886; G06F 3/0412; G06F 3/0416; H04B  
1/3833

See application file for complete search history.

(56) **References Cited**

U.S. PATENT DOCUMENTS

D630,614	S	*	1/2011	Lee	.....	D14/203.3
D630,615	S	*	1/2011	Lee	.....	D14/203.3
D654,050	S	*	2/2012	Duan	.....	D14/138 AB
D654,467	S	*	2/2012	Duan	.....	D14/138 AB
D665,195	S	*	8/2012	Hsieh	.....	D8/71
D735,715	S	*	8/2015	Jeong	.....	D14/341
D745,000	S	*	12/2015	Lim	.....	D14/341
D746,250	S	*	12/2015	Chu	.....	D14/138 G
D749,070	S	*	2/2016	Oh	.....	D14/341
9,298,221	B2	*	3/2016	Choi	.....	G06F 1/1677
D772,835	S	*	11/2016	Kim	.....	D14/138 AB
D818,978	S	*	5/2018	Won	.....	D14/126
D821,388	S	*	6/2018	Henderson	.....	D14/341
D836,076	S	*	12/2018	Cho	.....	D14/138 AD
D836,077	S	*	12/2018	Cho	.....	D14/138 AD
D861,624	S	*	10/2019	Ahn	.....	D14/126
2007/0241002	A1	*	10/2007	Wu	.....	G06F 1/1601 206/150

\* cited by examiner

FIG. 1

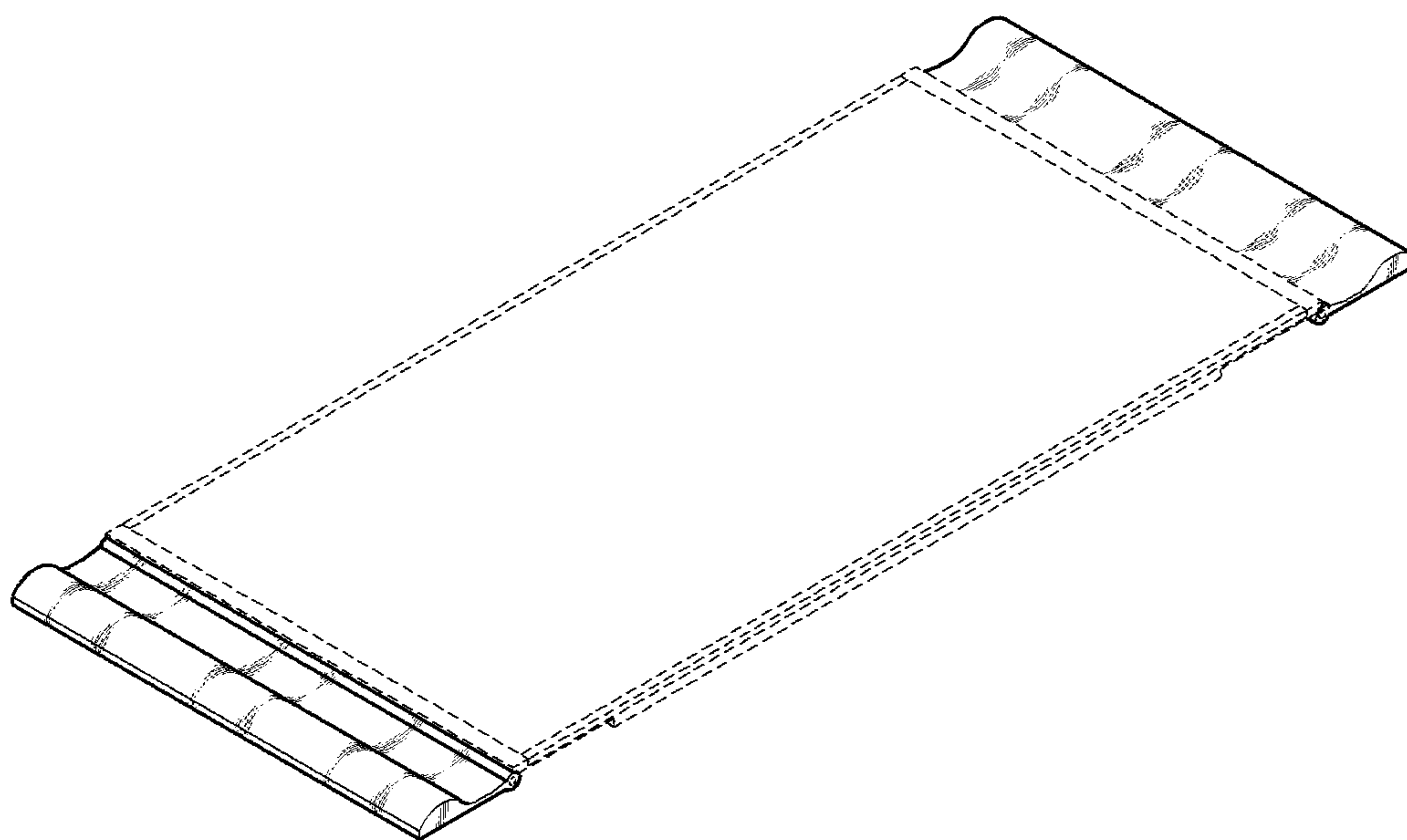


FIG. 2

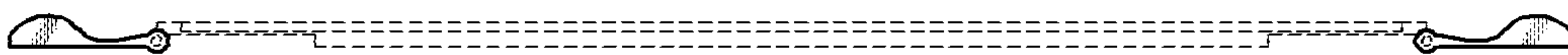


FIG. 3

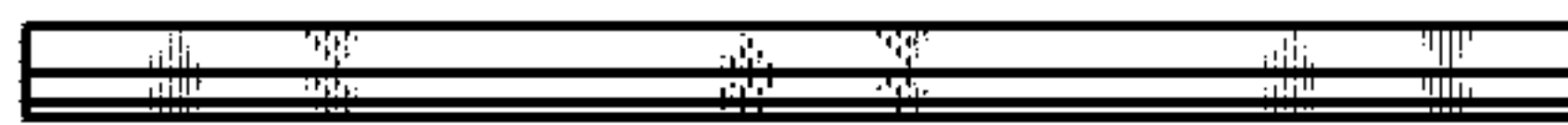


FIG. 4



FIG. 5



FIG. 6

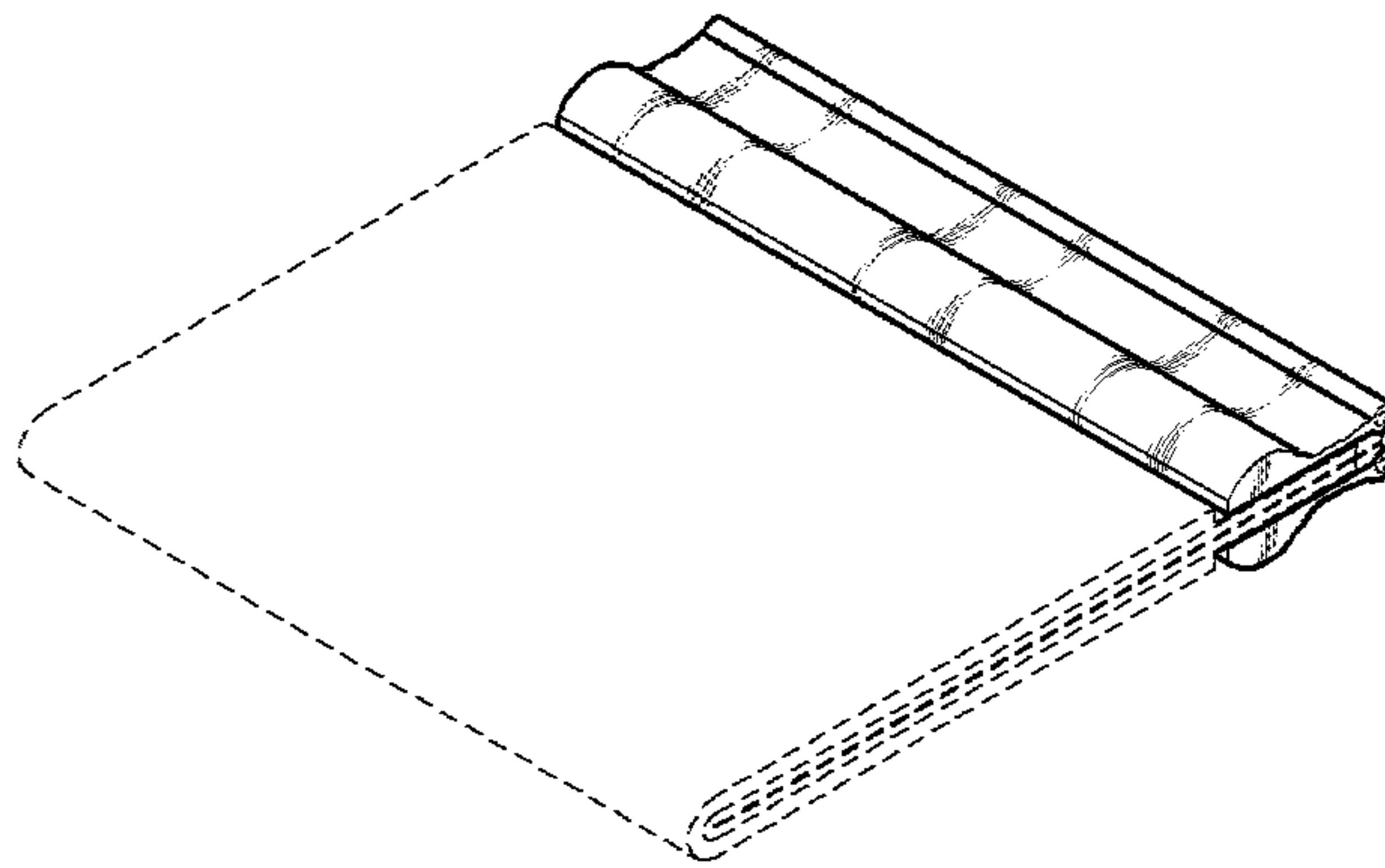




FIG. 7

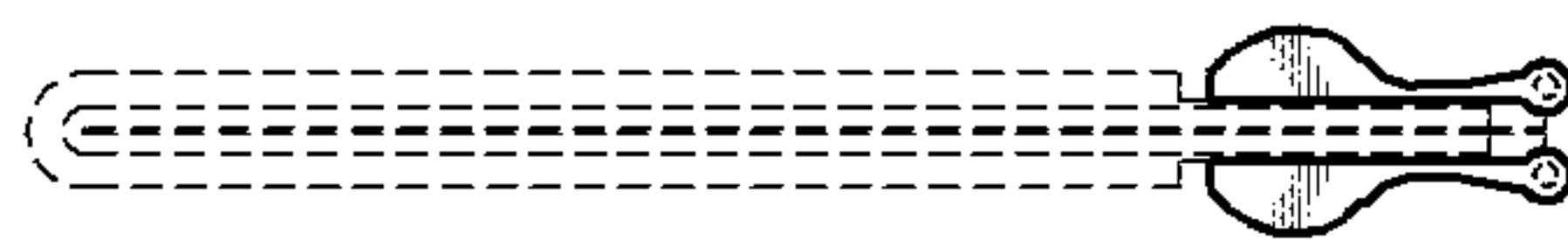


FIG. 8

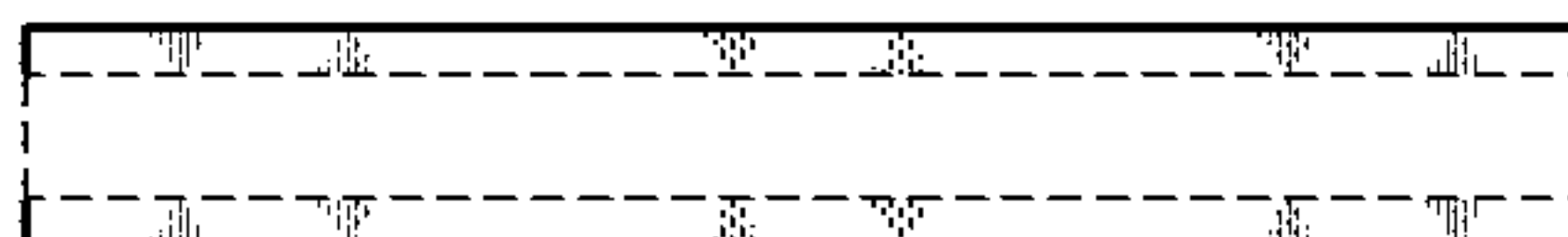


FIG. 9



FIG. 10

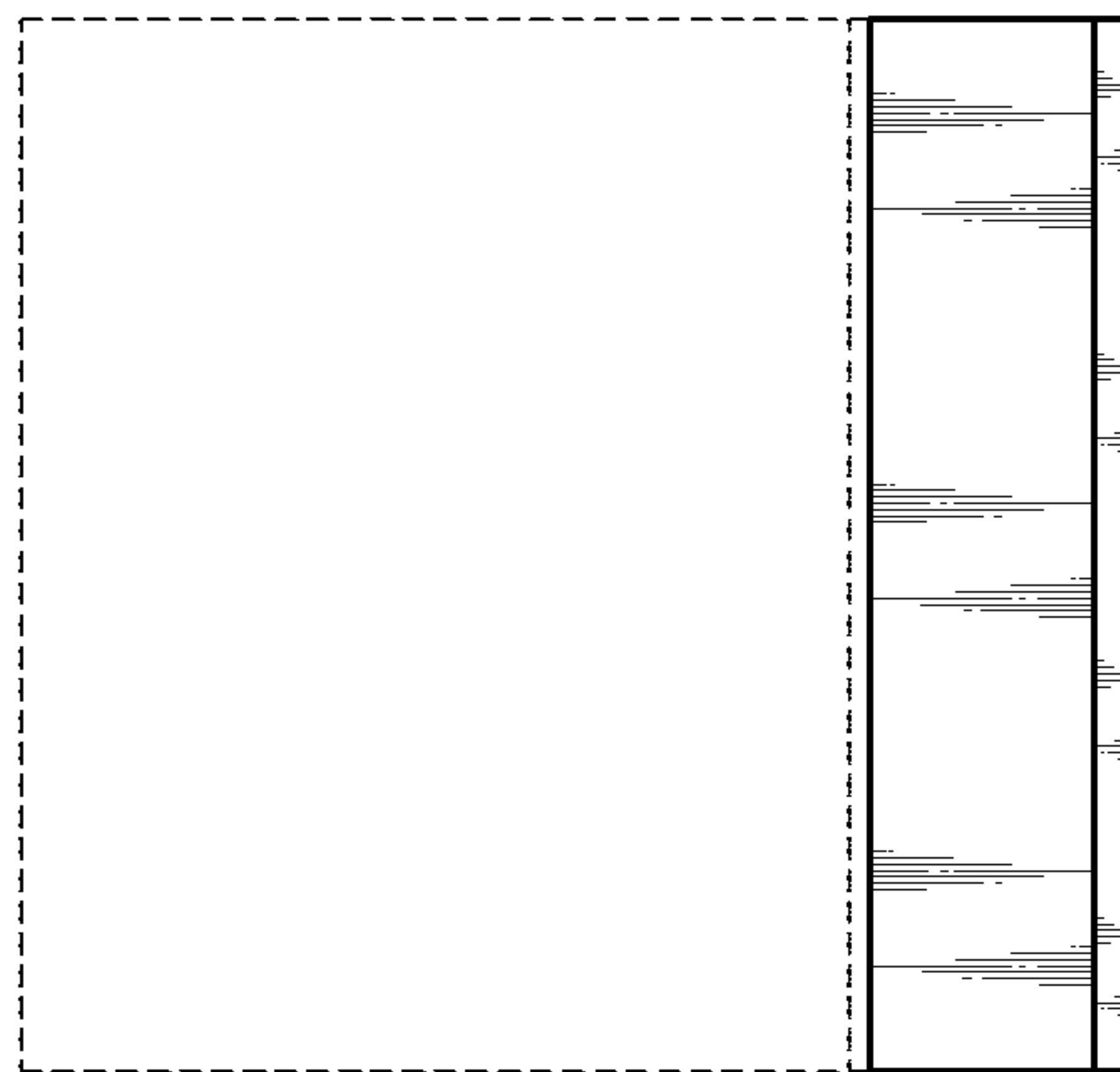


FIG. 11

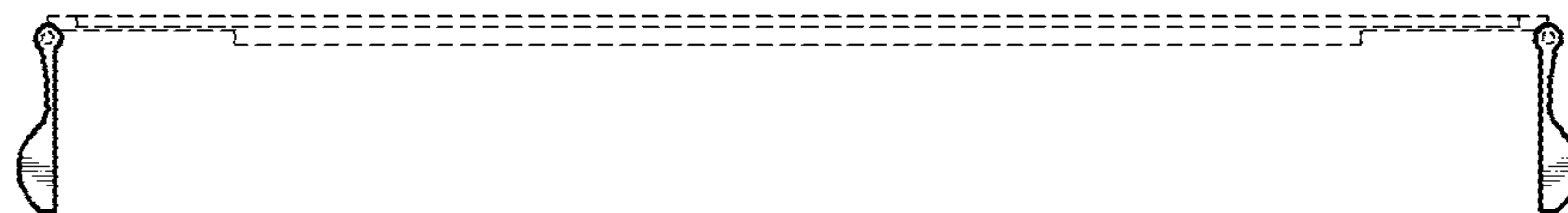


FIG. 12

