



US00D901492S

(12) **United States Design Patent** (10) **Patent No.:** **US D901,492 S**
Gao (45) **Date of Patent:** **** Nov. 10, 2020**

(54) **SMART BRACELET**

(71) Applicant: **Shenzhen Yawell Intelligent Technology Co., Ltd.**, Guangdong (CN)

(72) Inventor: **Jinfeng Gao**, Hubei Province (CN)

(**) Term: **15 Years**

(21) Appl. No.: **29/712,643**

(22) Filed: **Nov. 11, 2019**

(30) **Foreign Application Priority Data**

Sep. 26, 2019 (CN) 2019 3 0531153

(51) **LOC (12) Cl.** **14-02**

(52) **U.S. Cl.**
USPC **D14/344; D10/32**

(58) **Field of Classification Search**
USPC ... D14/344, 138 R, 144, 341, 358, 205, 223, D14/249; D10/30-39, 70, 98; D11/3, 4, D11/26, 93-94, 78.1, 79, 86; D24/167, D24/169, 186-187, 164
CPC G06F 1/163; G06F 3/014; G04G 21/08; G04G 15/00; A61B 5/681; H04M 1/7253
See application file for complete search history.

(56) **References Cited**

U.S. PATENT DOCUMENTS

D573,899 S *	7/2008	Kuchler	D10/32
D605,533 S *	12/2009	Schoepfer	D10/38
D659,554 S *	5/2012	Yurman	D10/32
D743,282 S *	11/2015	Park	D10/30
D789,542 S *	6/2017	Lillquist	D24/167
D806,581 S *	1/2018	Register	D10/30
D812,051 S *	3/2018	Park	D14/344
D816,080 S	4/2018	Chen et al.	
D820,712 S *	6/2018	Antifora	D10/128
D824,782 S *	8/2018	Bernheim	D10/30
D836,464 S *	12/2018	Liu	D10/30

D844,458 S *	4/2019	Lillquist	D10/30
D857,528 S *	8/2019	Moilanen	D10/38
D858,312 S *	9/2019	Liu	D10/30
2015/0248235 A1 *	9/2015	Offenberg	G06F 3/017 715/773

(Continued)

FOREIGN PATENT DOCUMENTS

CN	305279899	*	7/2019
CN	30555912	*	1/2020

(Continued)

OTHER PUBLICATIONS

Samsung Galaxy Watch Smartwatch, announced 2018 [online], [retrieved Feb. 17, 2020]. Available from Internet, URL: <https://www.bestbuy.com/site/samsung-galaxy-watch-smartwatch-42mm-stainless-steel-rose-gold/6280411.p?skuId=6280411> (Year: 2018).*

(Continued)

Primary Examiner — Dana K Weiland
(74) *Attorney, Agent, or Firm* — ZANIP

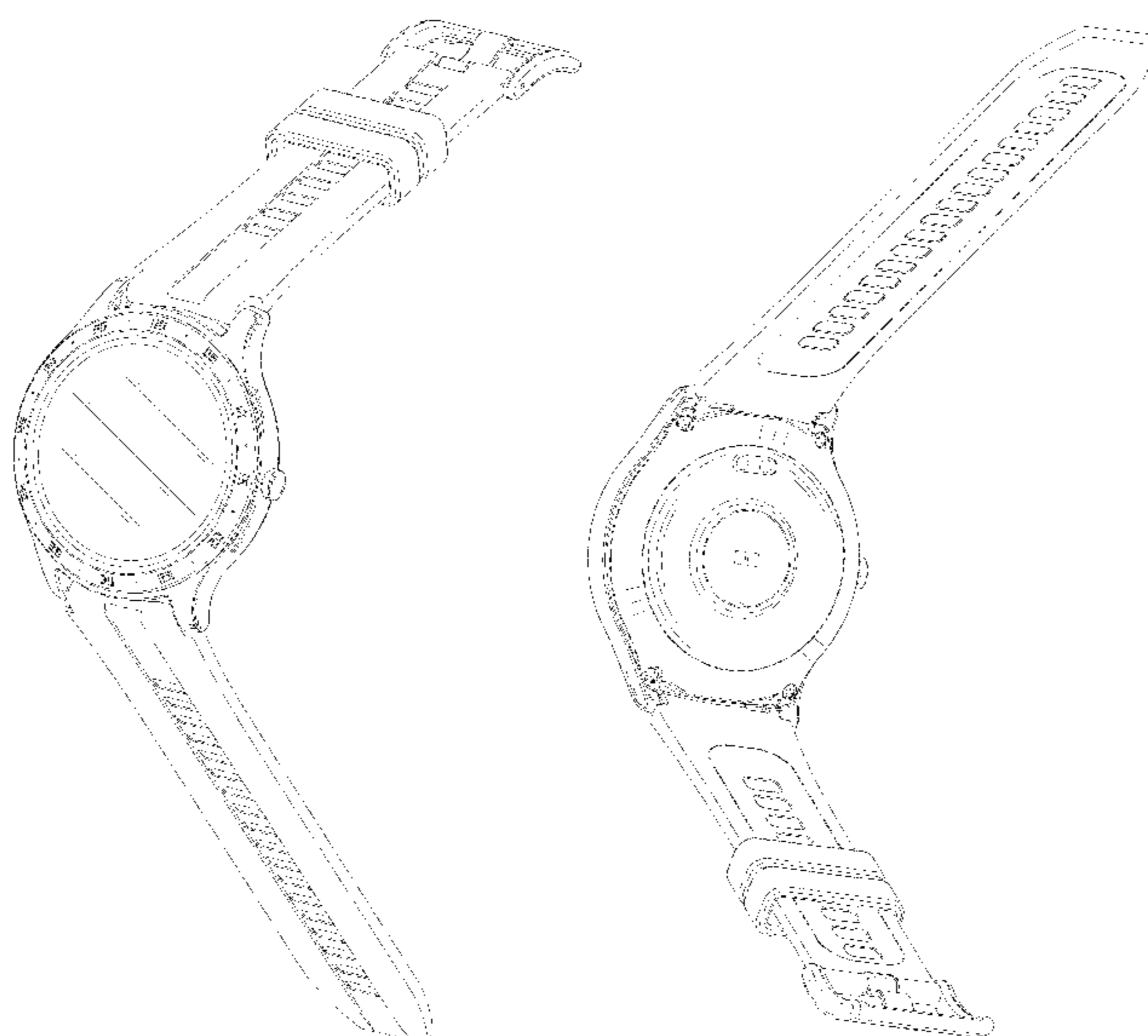
(57) **CLAIM**

The ornamental design for a smart bracelet, as shown and described.

DESCRIPTION

FIG. 1 is a front perspective view of a smart bracelet, showing my new design;
FIG. 2 is a rear perspective view thereof;
FIG. 3 is a front elevational view thereof;
FIG. 4 is a rear elevational view thereof;
FIG. 5 is a right side elevational view thereof;
FIG. 6 is a left side elevational view thereof;
FIG. 7 is a top plan view thereof; and,
FIG. 8 is a bottom plan view thereof.
The broken lines in the figures illustrate portions of the smart bracelet that form no part of the claimed design.

1 Claim, 8 Drawing Sheets



(56)

References Cited

U.S. PATENT DOCUMENTS

2018/0348814 A1* 12/2018 Meen G06T 7/74
2018/0352912 A1* 12/2018 Nicolas G04G 21/08

FOREIGN PATENT DOCUMENTS

CN 305559121 * 1/2020
CN 305559129 * 1/2020

OTHER PUBLICATIONS

LG G Watch R review, announced Nov. 4, 2014 [online], [retrieved Feb. 17, 2020]. Available from Internet, URL:<<https://www.engadget.com/2014/11/04/lg-g-watch-r-review/>> (Year: 2014).*

* cited by examiner

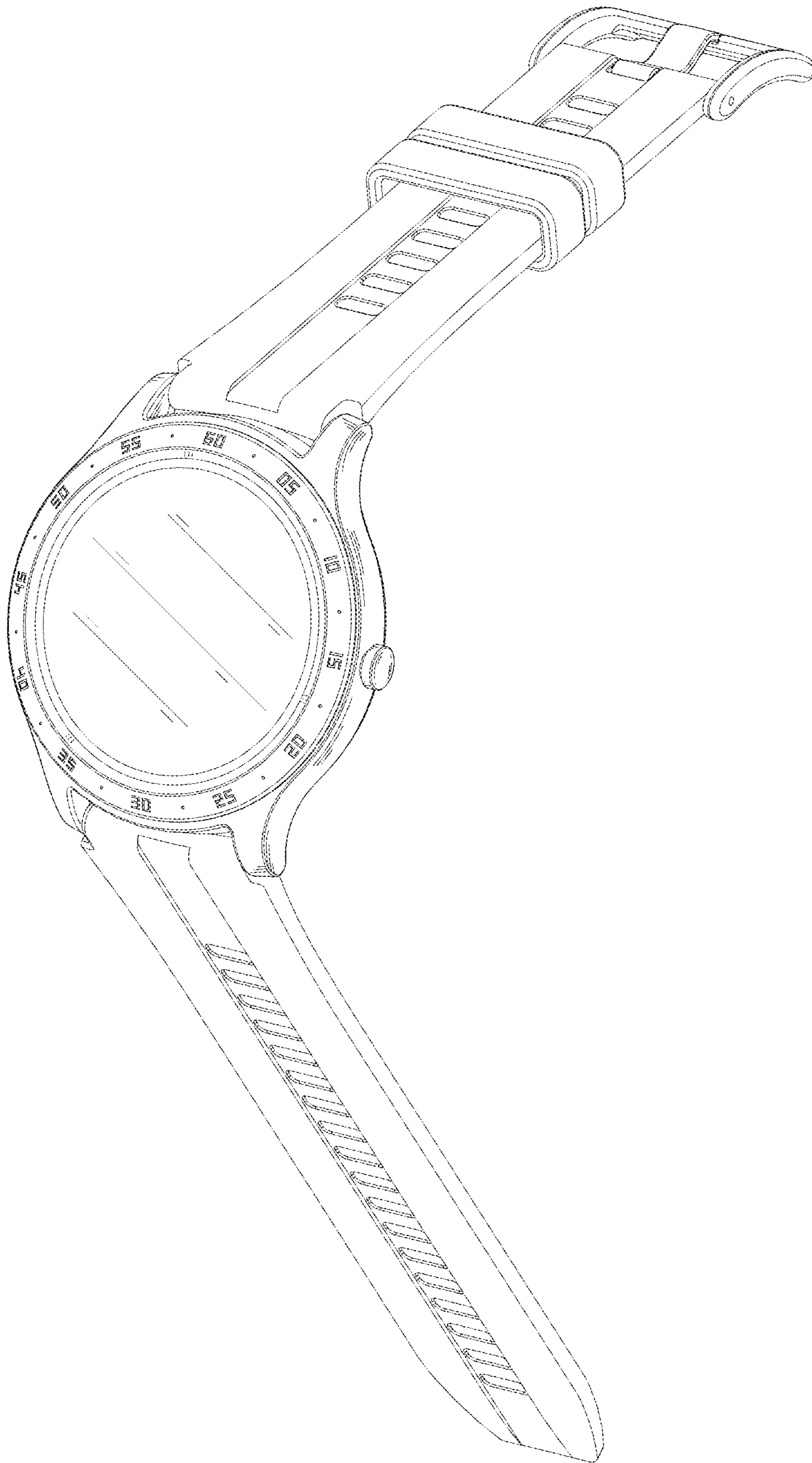


FIG. 1

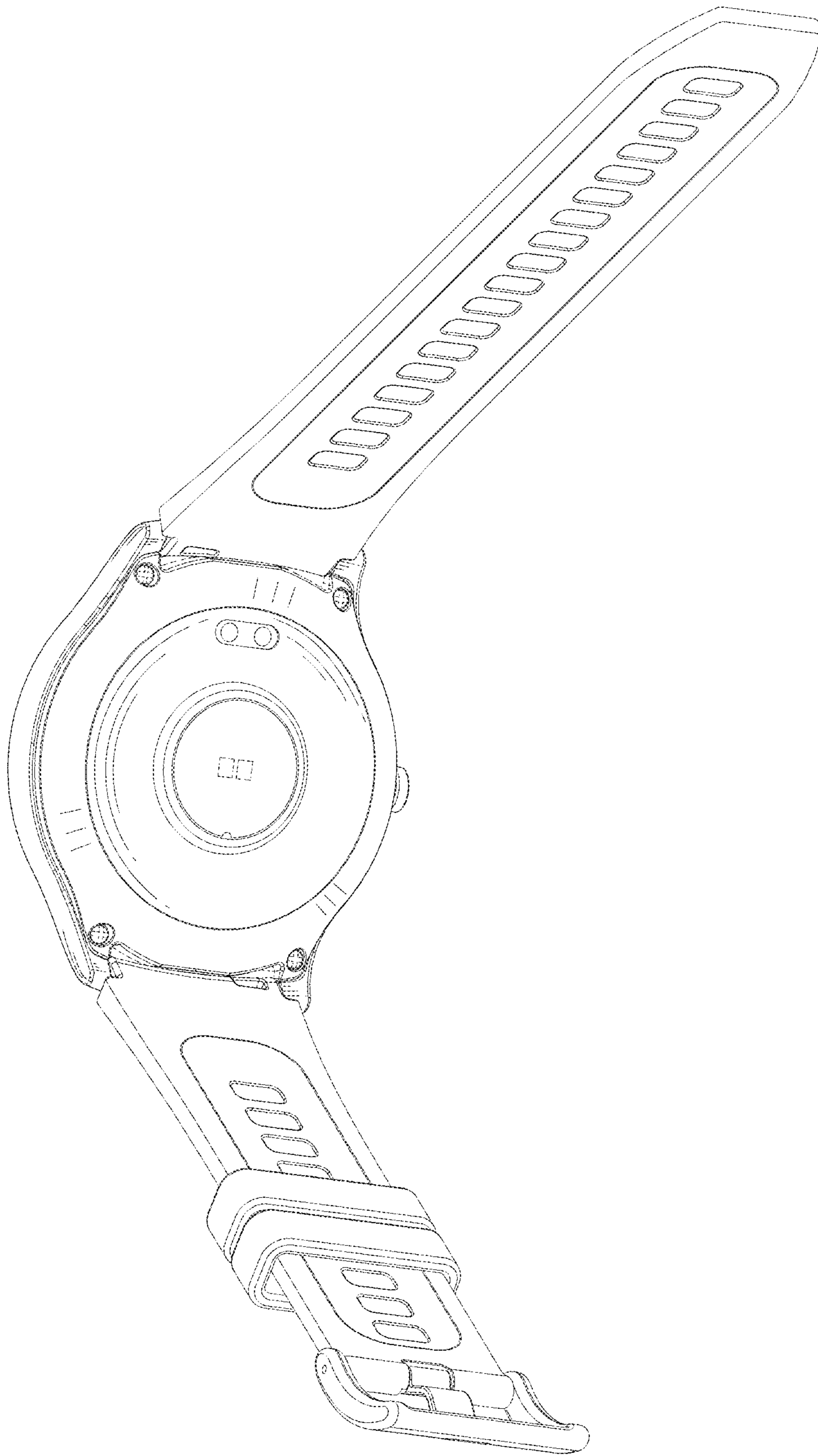


FIG. 2

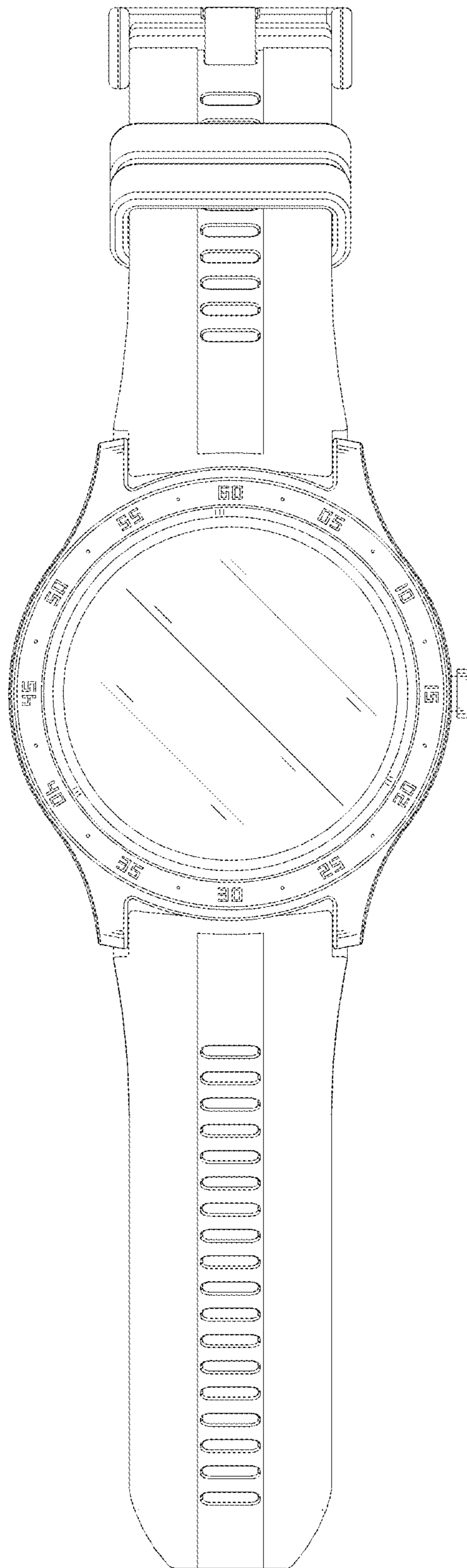


FIG. 3

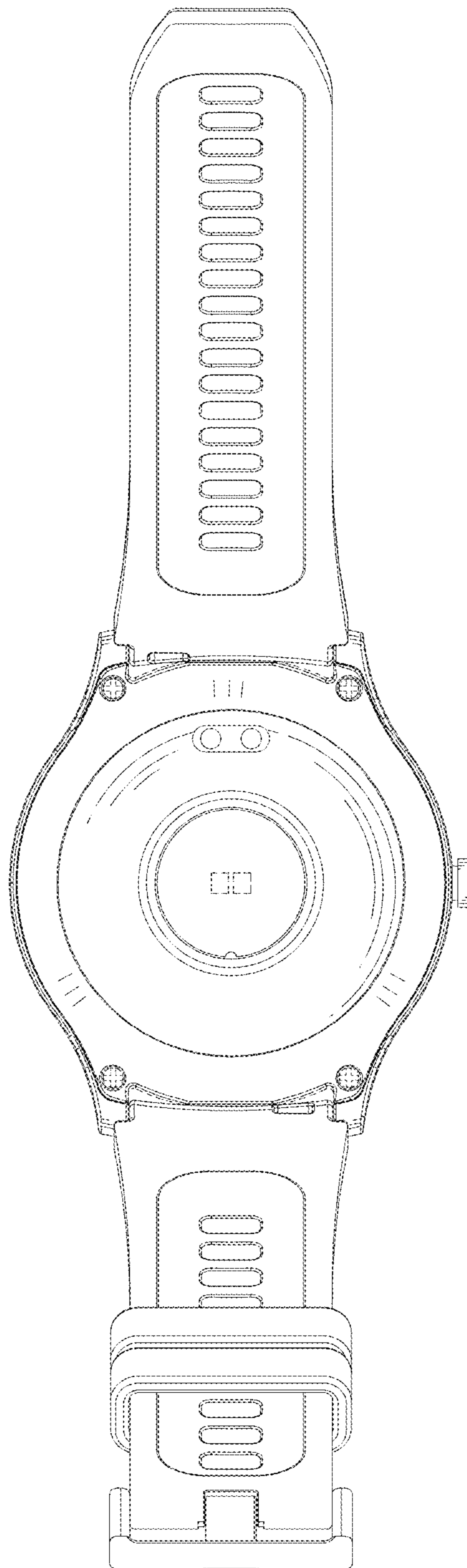


FIG. 4

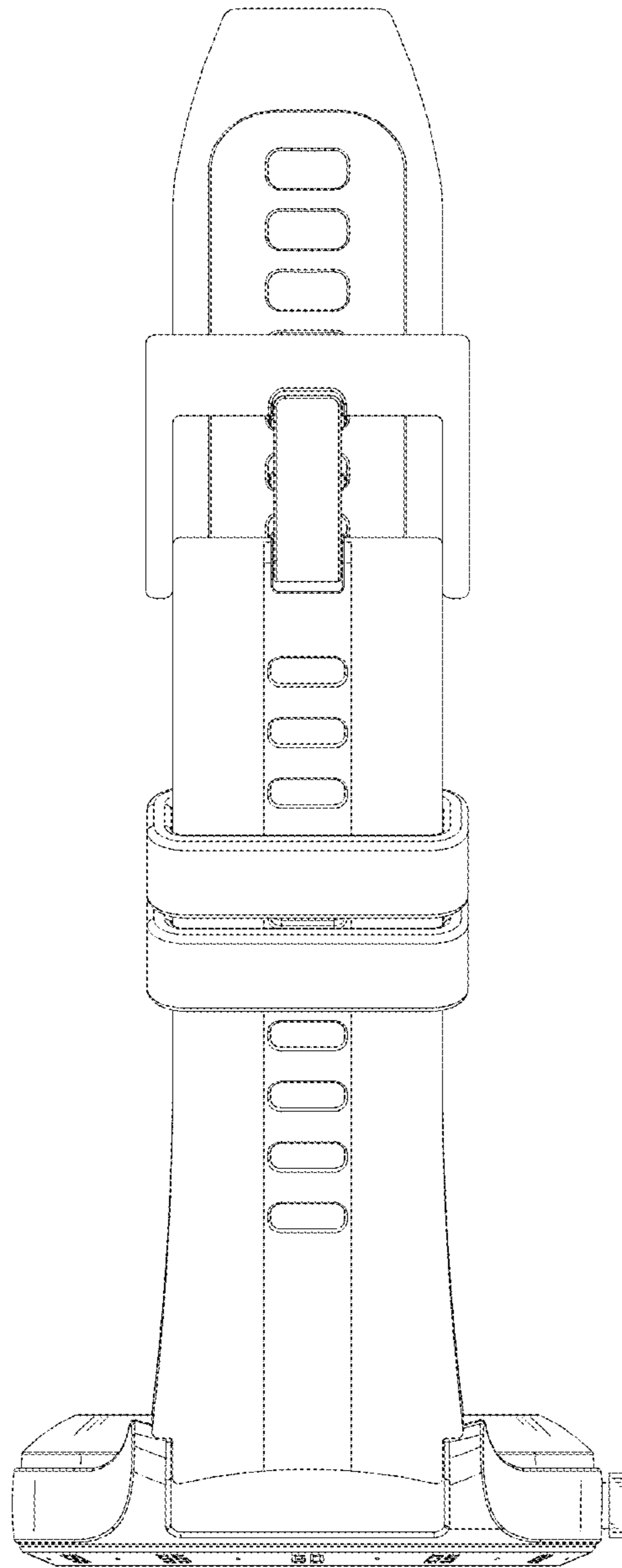


FIG. 5

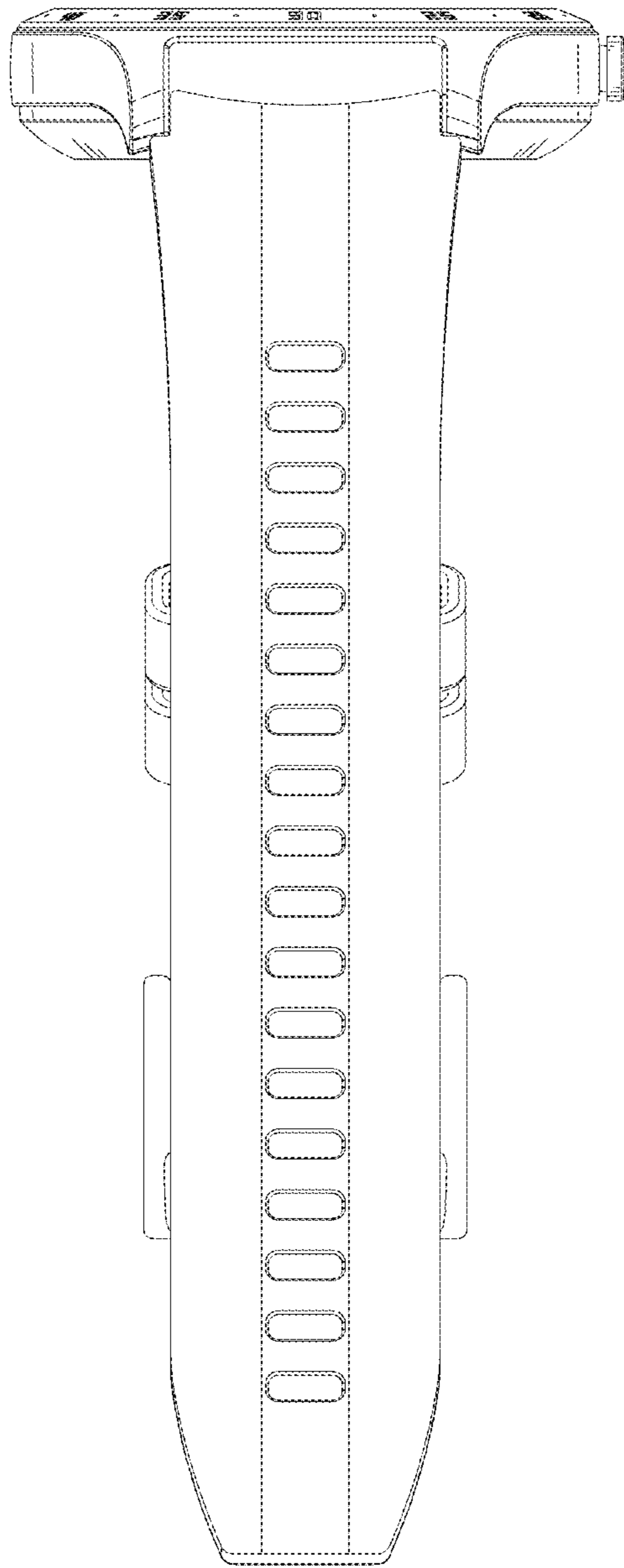


FIG. 6

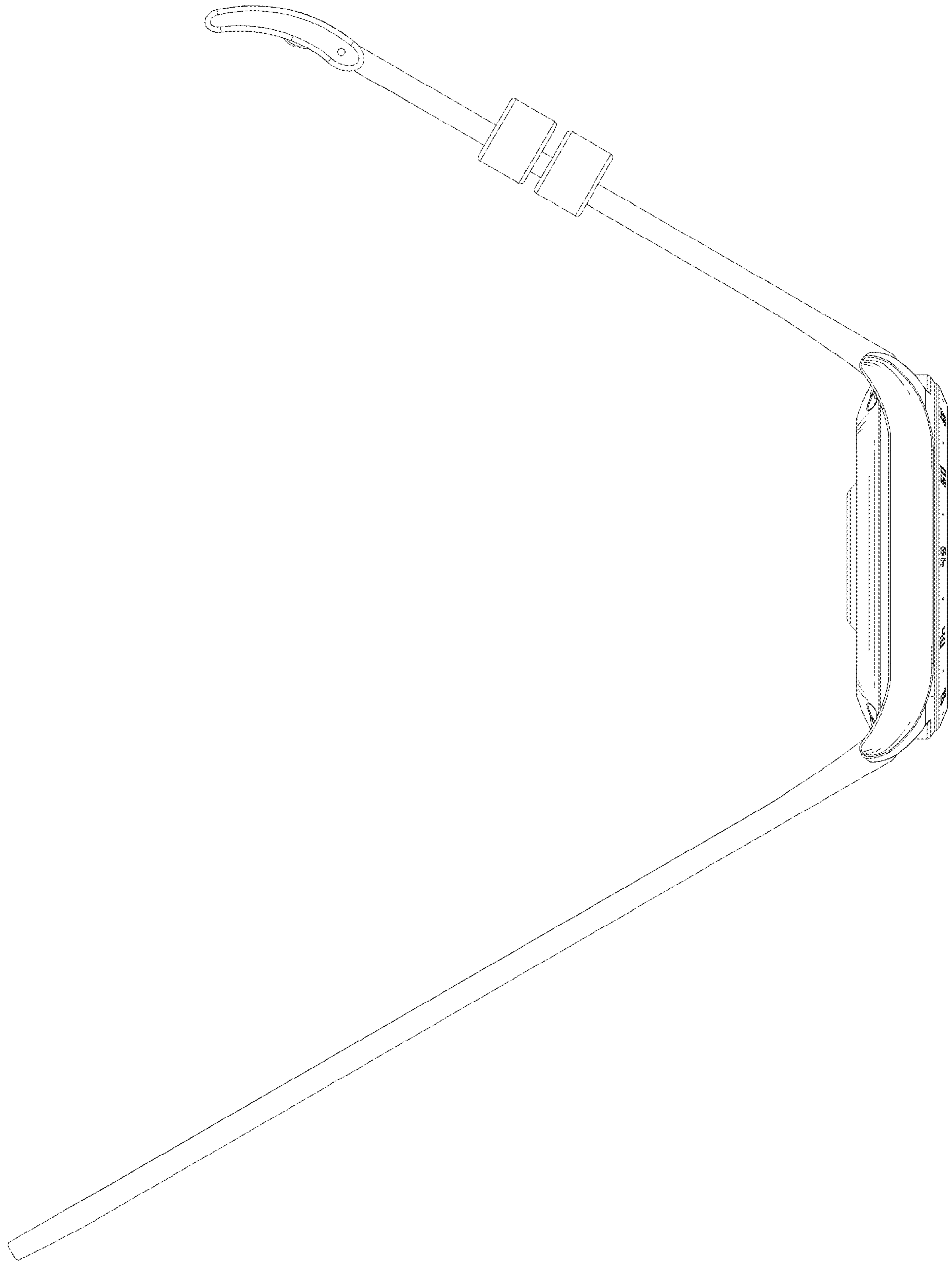


FIG. 7

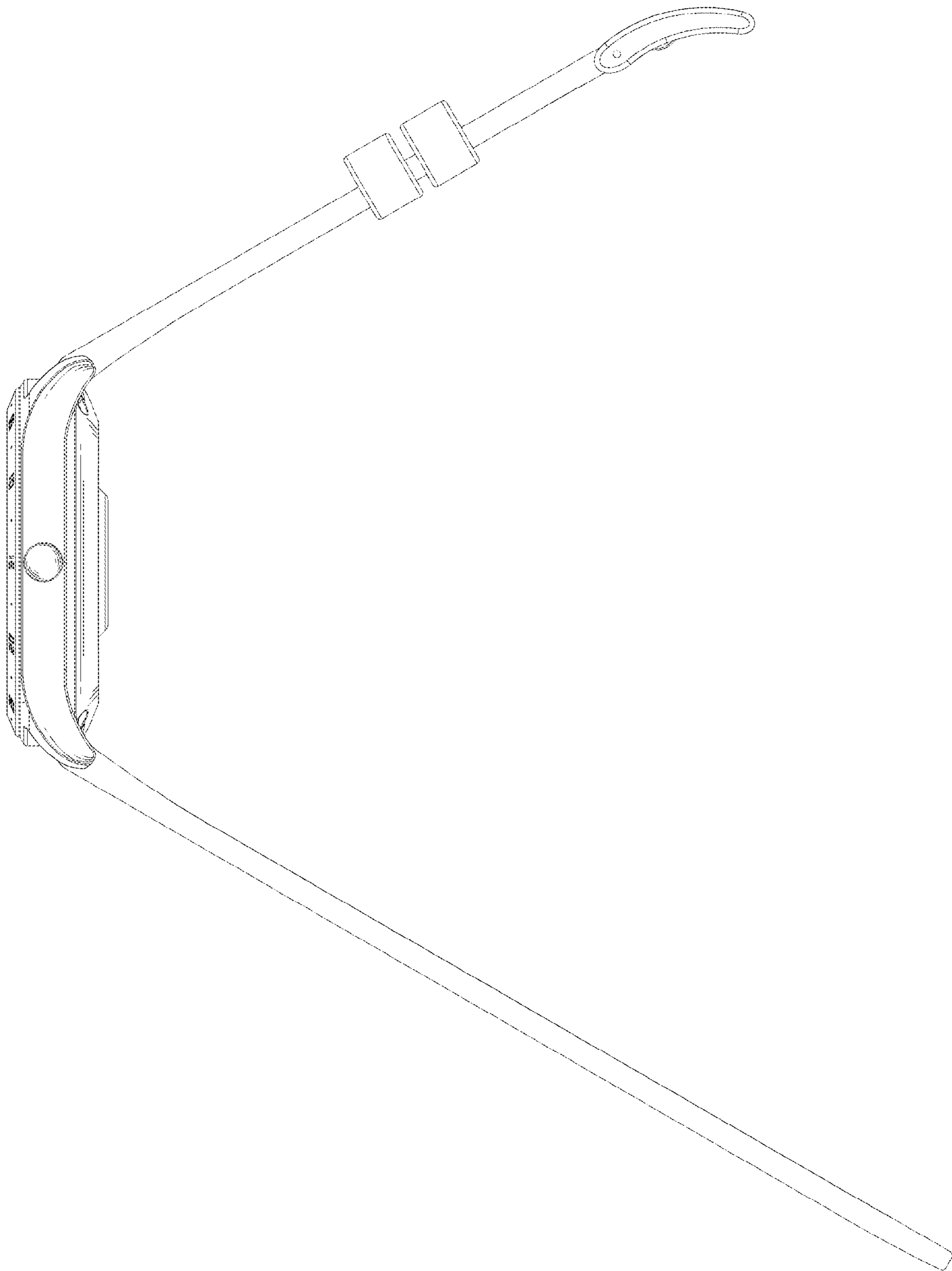


FIG. 8