



US00D901491S

(12) **United States Design Patent** (10) **Patent No.:** **US D901,491 S**
Lee (45) **Date of Patent:** **** *Nov. 10, 2020**

(54) **COMBINED PEN AND ELECTRONIC DEVICE**

3/033; G06F 3/0317; G06F 3/041; G06F 3/044; G06F 1/1613; G06F 1/1626; (Continued)

(71) Applicant: **Samsung Electronics Co., Ltd.**, Suwon-si (KR)

(56) **References Cited**

(72) Inventor: **Junyoung Lee**, Seoul (KR)

U.S. PATENT DOCUMENTS

(73) Assignee: **SAMSUNG ELECTRONICS CO., LTD.**, Suwon-si (KR)

D360,195 S 7/1995 Kimbrough
D425,887 S 5/2000 Edwards
(Continued)

(*) Notice: This patent is subject to a terminal disclaimer.

Primary Examiner — Dana K Weiland
(74) *Attorney, Agent, or Firm* — McAndrews Held & Malloy, Ltd.

(**) Term: **15 Years**

(57) **CLAIM**

(21) Appl. No.: **29/629,162**

The ornamental design for a combined pen and electronic device, as shown and described.

(22) Filed: **Dec. 12, 2017**

DESCRIPTION

Related U.S. Application Data

(63) Continuation of application No. 29/543,885, filed on Oct. 29, 2015, now Pat. No. Des. 808,384.

(51) **LOC (12) Cl.** **14-02**

(52) **U.S. Cl.**
USPC **D14/342; D14/411**

(58) **Field of Classification Search**

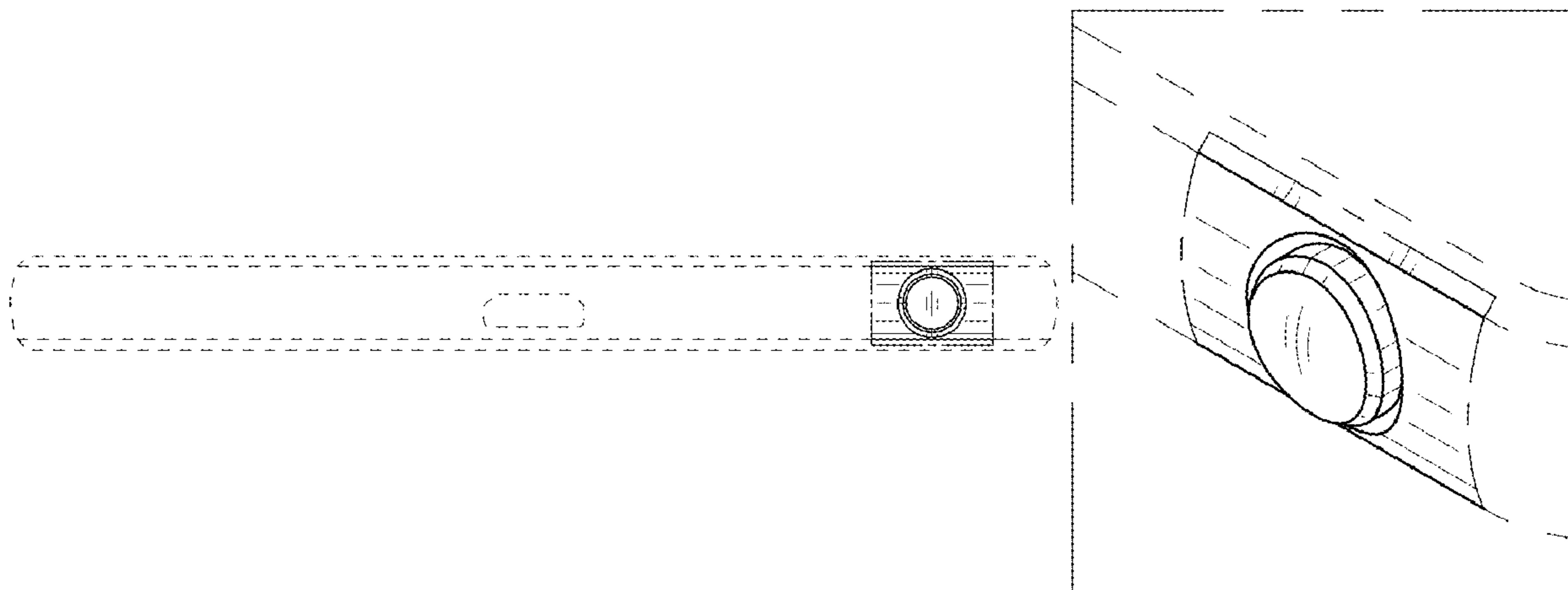
USPC D14/411, 251–254, 315–318, 341–347, D14/420, 426, 240, 129–130, 496, 137, D14/138 R, 138 AA, 138 AB, 138 AC, D14/136 AD, 138 C, 138 G, 147, D14/203.1–203.8, 218, 247, 371, 248, D14/388–389, 374; D8/61; D19/35, 36, D19/77, 81–84, 115–204, 26, 59, 60; D16/208; D6/308, 310; D10/104.1, 50, D10/65; D18/6–7; D21/324, 329, 330, D21/332
CPC . B43K 5/005; B43K 7/12; B43K 8/04; B43K 8/06; B43K 19/00; B43K 19/02; B43K 19/14; B43K 21/006; B43K 21/06; F16M 11/14; G02B 27/017; G06F 3/016; G06F

FIG. 1 is a bottom perspective view of a combined pen and electronic device showing my new design; FIG. 2 is a front elevation view thereof; FIG. 3 is a rear elevation view thereof; FIG. 4 is a left-side elevation view thereof; FIG. 5 is a right-side elevation view thereof; FIG. 6 is a top plan view thereof; FIG. 7 is a bottom plan view thereof; FIG. 8 is an enlarged bottom perspective view of the portion delineated in FIG. 1; and, FIG. 9 is an enlarged left-side elevation view of the portion delineated in FIG. 4.

The evenly spaced dashed broken lines shown in the drawings illustrate portions of the electronic device that form no part of the claimed design.

The dot-dash broken lines shown in the drawings illustrate a boundary line that forms no part of the claimed design. The dot-dot-dash broken lines shown in the drawings delineate portions of the claimed design in FIGS. 1, 4, 8, and 9 that are illustrated in enlarged views and form no part of the claimed design.

1 Claim, 6 Drawing Sheets



(58) **Field of Classification Search**

CPC G06F 2200/1633; G06F 3/0488; G06F 3/04886; G06F 3/0412; G06F 3/0416; G06K 9/222; H04B 1/3833

See application file for complete search history.

(56) **References Cited**

U.S. PATENT DOCUMENTS

6,388,877 B1 5/2002 Canova, Jr.
 D460,757 S 7/2002 Keung Li
 D466,115 S 11/2002 Hawkins
 D499,718 S * 12/2004 Chen D14/218
 D502,703 S 3/2005 Tsujimoto
 D506,937 S * 7/2005 Lee D10/65
 6,924,791 B1 8/2005 Nicolas
 D513,749 S 1/2006 Schlieffers
 D515,085 S 2/2006 Schlieffers
 D529,909 S 10/2006 Daw
 D531,177 S 10/2006 Okanoya
 7,181,256 B2 2/2007 Hyun
 D542,781 S * 5/2007 Chen D14/218
 D551,659 S * 9/2007 Shih D14/218
 D573,970 S 7/2008 Park
 D583,810 S 12/2008 Chen
 D584,743 S 1/2009 Sheba
 D586,801 S 2/2009 Mincolelli
 D591,743 S 5/2009 Corley
 D601,530 S 10/2009 Park
 D603,823 S 11/2009 Chon
 D606,539 S 12/2009 Liao
 D608,323 S 1/2010 Hayahsi
 D609,676 S 2/2010 Liu
 D614,159 S 4/2010 Lee
 D614,184 S 4/2010 Daniel
 D615,520 S 5/2010 Kim
 D615,955 S 5/2010 Oh
 D618,198 S 6/2010 Bang
 D627,778 S 11/2010 Akana
 D633,910 S * 3/2011 Cacioppo D14/218
 D638,014 S 5/2011 Chong
 D638,015 S 5/2011 Chong
 D641,387 S * 7/2011 Lee D16/202
 D645,441 S 9/2011 Choe
 D647,519 S * 10/2011 Rothbaum D14/250
 D652,015 S 1/2012 Han
 D655,292 S 3/2012 Nakata
 8,280,461 B2 10/2012 Williams
 D675,182 S 1/2013 He
 D675,186 S 1/2013 Han
 D676,014 S 2/2013 Chung
 D676,826 S 2/2013 Son
 D677,237 S 3/2013 Son
 D682,242 S 5/2013 Yoo
 D682,801 S 5/2013 Lee
 D682,833 S 5/2013 Paschke

D686,590 S 7/2013 Cho
 D686,620 S 7/2013 Chung
 D688,645 S 8/2013 Cho
 D694,236 S 11/2013 Chung
 D694,751 S * 12/2013 Ju D14/341
 D696,664 S 12/2013 Iida
 D706,300 S 6/2014 Akana
 D709,477 S 7/2014 Hirota
 D709,851 S 7/2014 Cai
 D711,381 S 8/2014 Lee
 D716,796 S 11/2014 Clegg
 D716,814 S 11/2014 Nakata
 D717,757 S 11/2014 Cho
 D717,798 S * 11/2014 Groene D14/411
 8,890,855 B1 11/2014 Lee
 D720,326 S 12/2014 Chao
 D720,716 S 1/2015 Bonar
 D721,348 S 1/2015 Plaschke
 D722,581 S 2/2015 Kim
 D722,596 S * 2/2015 VanDuyn D14/218
 D731,481 S 6/2015 Akana
 D734,749 S 7/2015 Chen
 D737,815 S 9/2015 Finney
 D740,281 S 10/2015 Kim
 D745,002 S 12/2015 Sohn
 D745,510 S 12/2015 Lee
 D748,623 S 2/2016 Guo
 D758,361 S 6/2016 Yeo
 D762,207 S 7/2016 Akana
 D763,253 S * 8/2016 Akana D14/341
 D763,846 S 8/2016 Lee
 D763,847 S 8/2016 Lee
 D767,562 S 9/2016 Jang
 D771,620 S 11/2016 Kim
 D778,905 S 2/2017 Akana
 D780,175 S 2/2017 Jung
 D780,748 S 3/2017 Wang
 D783,602 S 4/2017 Akana
 D783,604 S 4/2017 Wesolek
 D785,617 S 5/2017 Bidwell
 D792,394 S 7/2017 Lee
 D807,349 S * 1/2018 Lee D14/342
 D808,384 S * 1/2018 Lee D14/342
 D813,237 S * 3/2018 Lee D14/411
 D813,238 S * 3/2018 Lee D14/411
 D813,407 S * 3/2018 Chen D24/215
 D832,841 S * 11/2018 Lee D14/411
 D832,842 S * 11/2018 Lee D14/411
 D845,949 S * 4/2019 Huebner D14/411
 D868,060 S * 11/2019 Akana D14/341
 2004/0100457 A1 5/2004 Mandle
 2008/0094292 A1 4/2008 Su
 2009/0128521 A1 5/2009 Chen
 2010/0110043 A1 5/2010 Lu
 2011/0133997 A1 6/2011 Lee
 2011/0254781 A1 10/2011 Liang

* cited by examiner

FIG.1

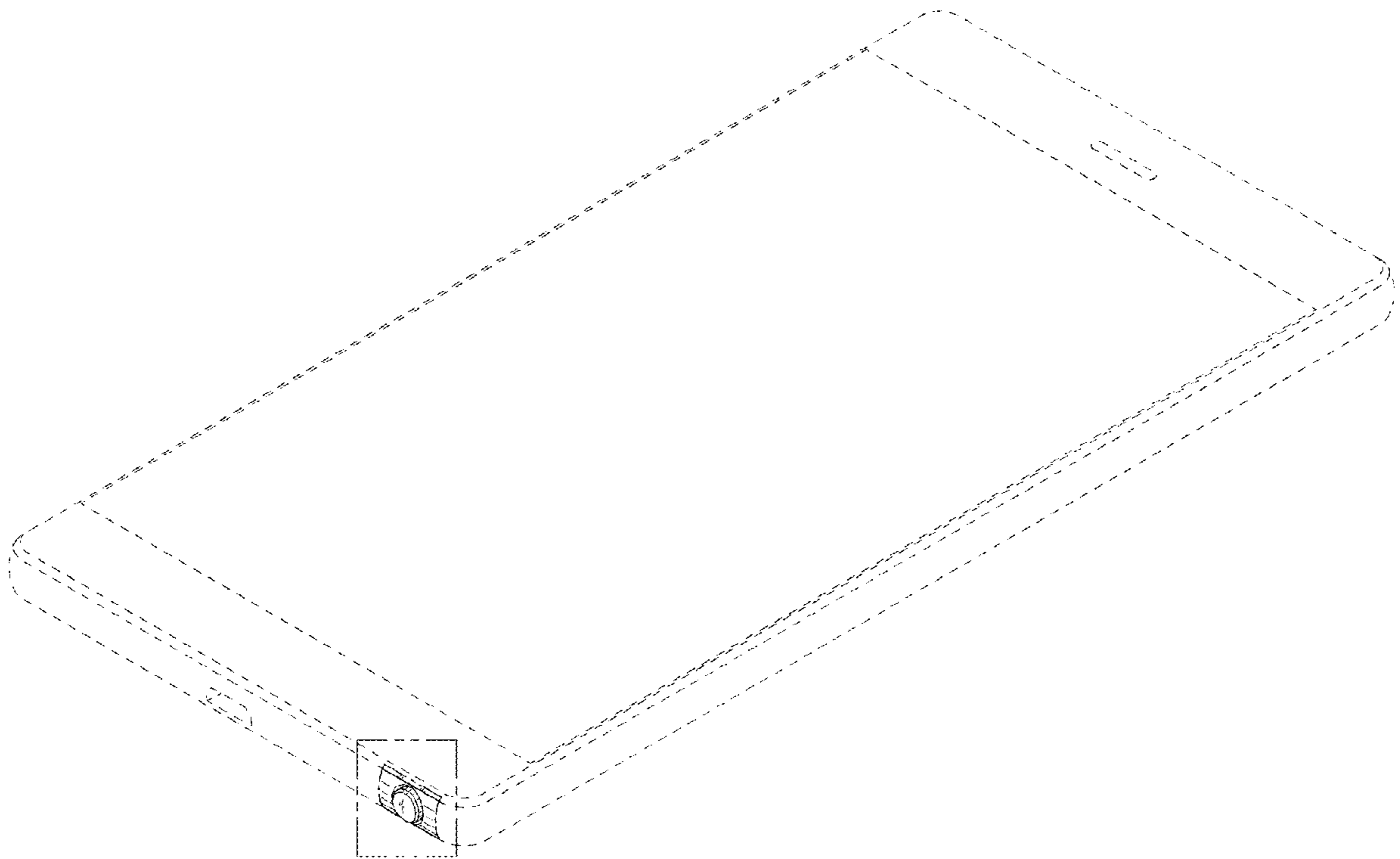


FIG.2



FIG.3

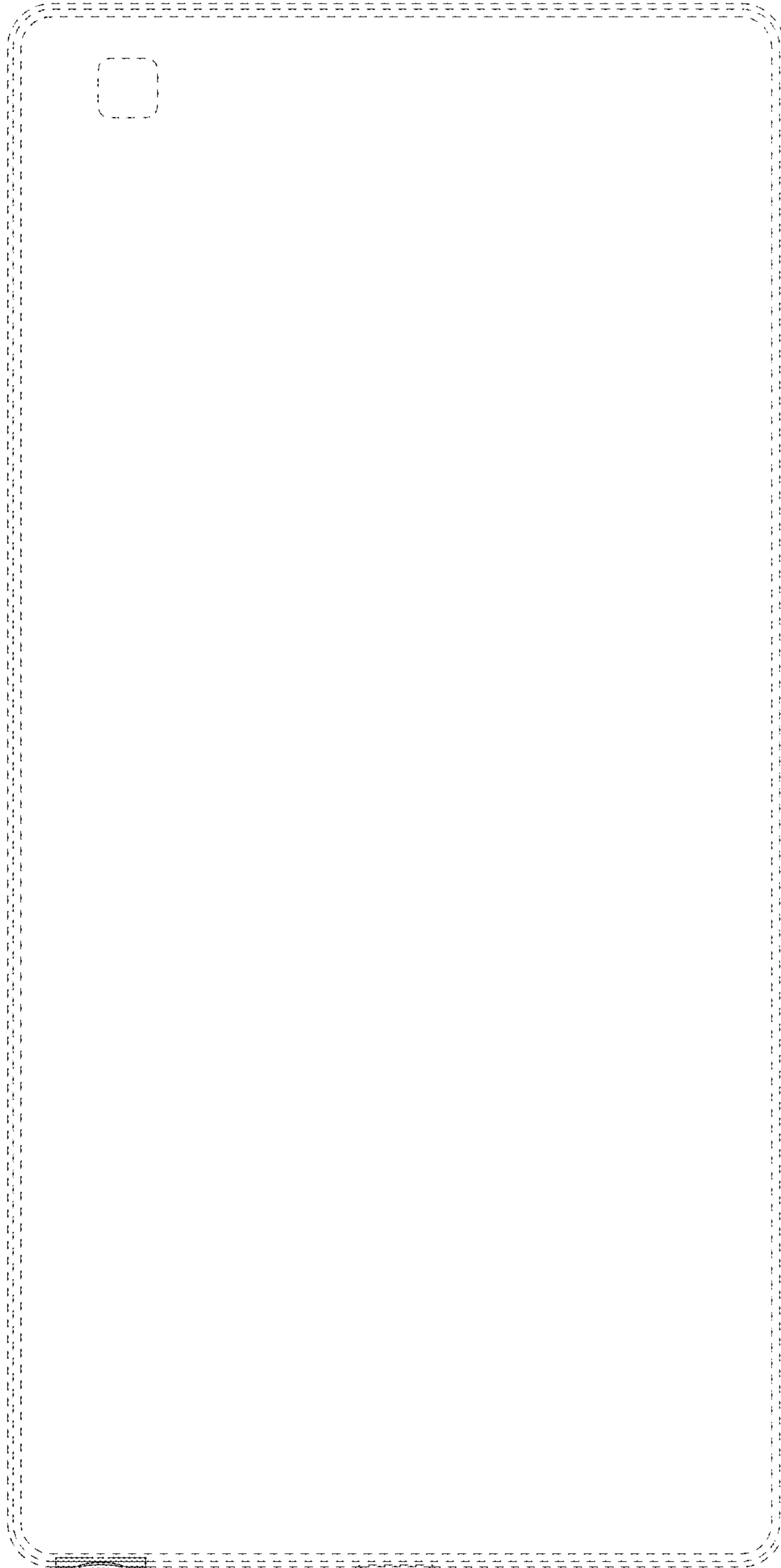


FIG.4

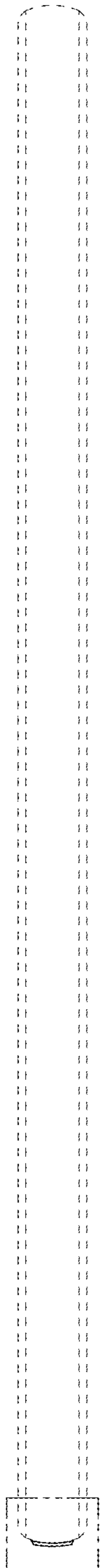


FIG.5

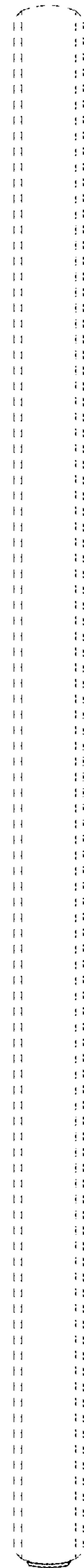


FIG.6

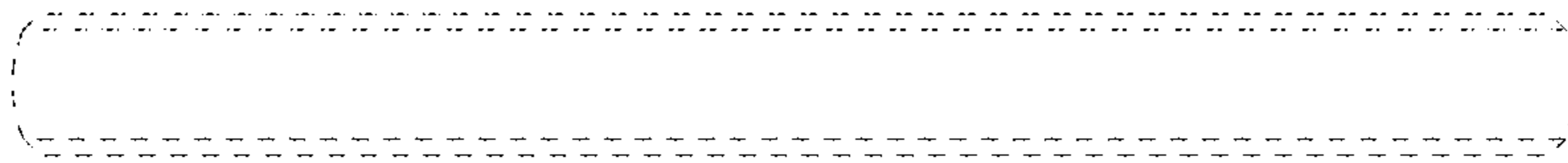


FIG.7



FIG.8

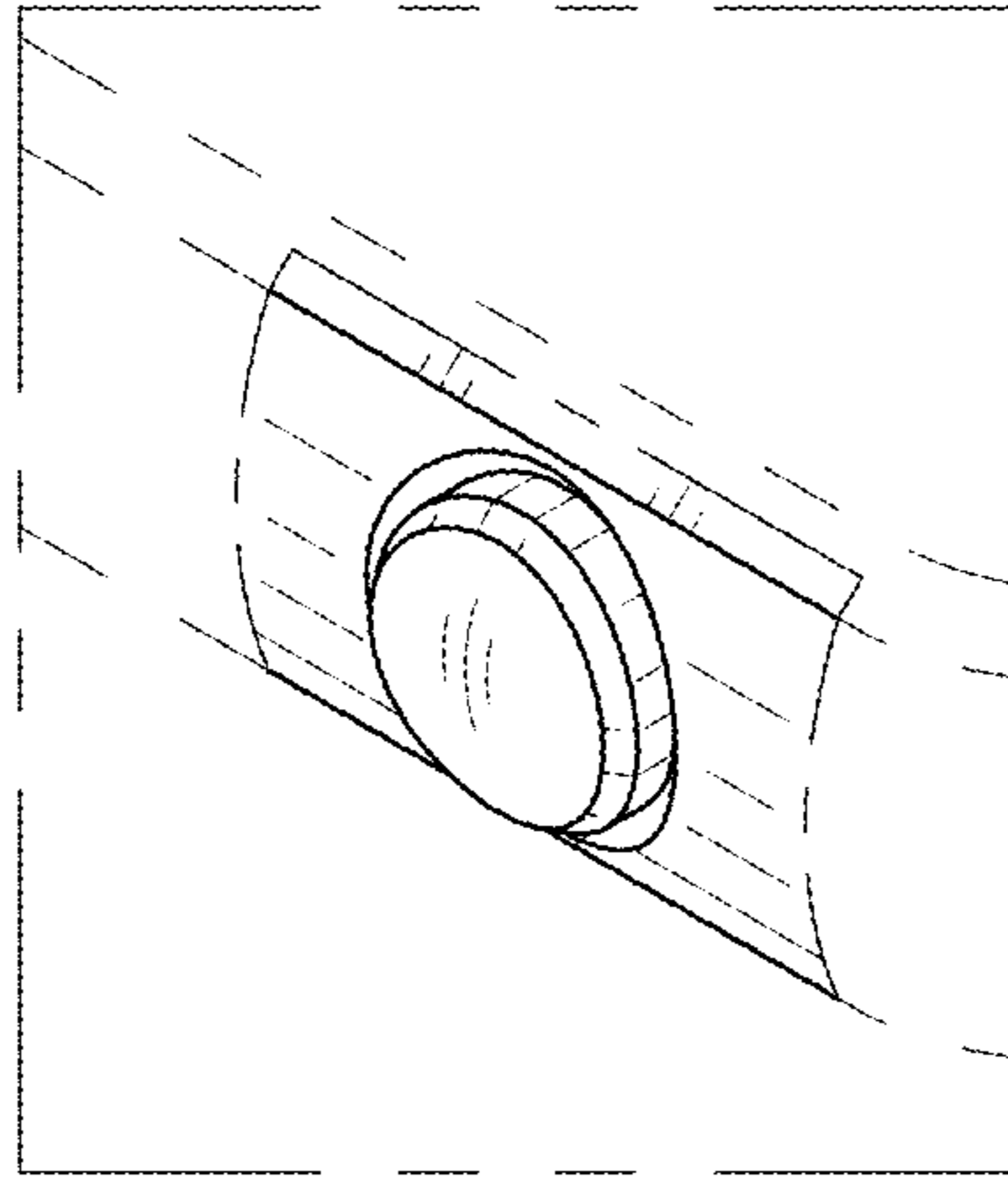


FIG.9

